

AUSTRALIAN MILITARY FORCES

Identification List



RIFLE, No. 1, S.M.L.E. .303

Mk.III, Mk.III* and Emergency.

RIFLE, No. 3, Mk.I*(T)

RIFLE, No. 4, .303 Mk.I and Mk.I*

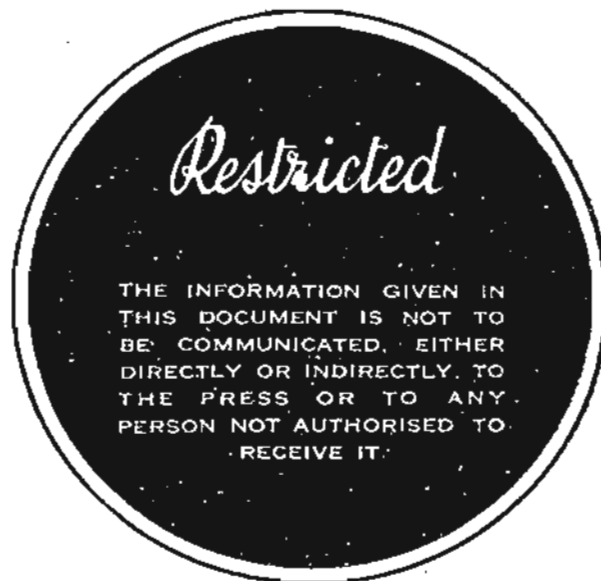
DISCHARGER, GRENADE,

RIFLE, No. 1, Mk.I, 2½-in.

Prepared by the Staff of the Master-General of the Ordnance and issued under

1945

the direction of the Commander-in-Chief. Headquarters Australian Military Forces.



AUSTRALIAN MILITARY FORCES

Identification List



RIFLE, No. 1, S.M.L.E. .303

Mk.III, Mk.III* and Emergency.

RIFLE, No. 3, Mk.I*(T)

RIFLE, No. 4, .303 Mk.I and Mk.I*

DISCHARGER, GRENADE,

RIFLE, No. 1, Mk.I, 2½-in.

*Prepared by the Staff of
the Master-General of the
Ordnance and issued under*

1945

*the direction of the Com-
mander-in-Chief. Headquarters
Australian Military Forces.*

Contents

	Page
DISCHARGER, GRENADE, RIFLE, NO.1, MK.I, 2-1/2 IN.	34 and 35
RIFLE, NO.1, MK.III AND MK.III*	7 to 13
RIFLE, NO.3, MK.I* (T), WITH SIGHT, TELESCOPIC, PATT.1918 (AUST.)/1 ...	15 to 23
RIFLE, NO.4, MK.I AND MK.I*	25 to 32
INDEX TO CATALOGUE NUMBERS... ..	36 and 37

Preface

These lists are prepared for the purpose of enabling those called upon to deal with the equipments in the Service to identify any component part or assembly of parts and to ascertain the correct service designation, so as to secure the correct preparation of vouchers, facilitate accounting and reduce correspondence.

Each item is identified by a part number and designation (i.e. the noun, and any other words on the same line) and they must always be quoted.

The Catalogue No. consists of a block of figures with a prefix of letters which denotes the vocabulary section under which the parts are provided, held and issued, eg.

BA - VAOS Section B1
 BAA - VAOS Section B1 (Aust.).
 G1/GA - Ordnance Stores - Ironmongery - VAOS Section G1
 G1/GAA - Ordnance Stores - Ironmongery - VAOS Section G1 (Aust.).

The plates illustrate the component parts and carry a reference number to the text on the opposite page where the designation is shown. The plate and its text opposite are complete in themselves and contain all that is necessary to know in connection with the articles. If the designation be known, a reference to the text will lead, by the number in column 1, to the plate opposite where the general appearance of the article is seen. If the part is available, then a comparison with the plate will locate its number, and by cross reference to the text, the designation becomes known.

To assist in the location of parts, certain equipments have been divided so that they may be listed by groups of conveniently associated items capable of being dealt with on one page of the text.

Instructions

WHEN SUBMITTING INDENTS AND DEMANDS

- 1 Separate indents will be prepared for stores held in different sections or sub-sections of the vocabulary, and not more than seven (7) items will be shown on any one sheet.
- 2 ALL INDENTS MUST SHOW :-
 - (a) The vocabulary section under which the items are held.
 - (b) The designation.
 - (c) The part number.
 - (d) The quantity of the item required.
- 3 (a) When indenting for equipment parts, reference will be made to the index of contents for the vocabulary section and designation of the general assembly for which the parts are required, and these particulars will be quoted at the head of the indent. This will be followed by the designation which will consist of the noun and any other words on the same line, e.g. -

Designation Section B1	Catalogue No.	No. Required.
Rifle No.1, Mk.III, .303 in. Block,band	BAA.3403	6

If the part number is not available, the full nomenclature will be shown.

- (b) For miscellaneous stores, quote the appropriate vocabulary section at the head of the indent, then show designation, part number and quantity of the item required.
- (c) Items marked with an asterisk in the text are available for Workshop replacement and will be demanded through normal channels by A.E.M.E. personnel.
- 4 When demands are submitted by signal or telephone, the noun only, the part number and quantity of the item required will be quoted.
- 5 Amendments to the lists, when necessary will be notified in G.O's. It is essential that the lists should be carefully amended, and the date of each amendment shown in the space provided on the following page :-

The lists have been amended up to

- 6 Reports regarding errors or omissions should be addressed to the Director of Armament, L.H.Q., Melbourne.

Abbreviations

STANDARD ABBREVIATIONS FOR USE IN IDENTIFICATION LISTS

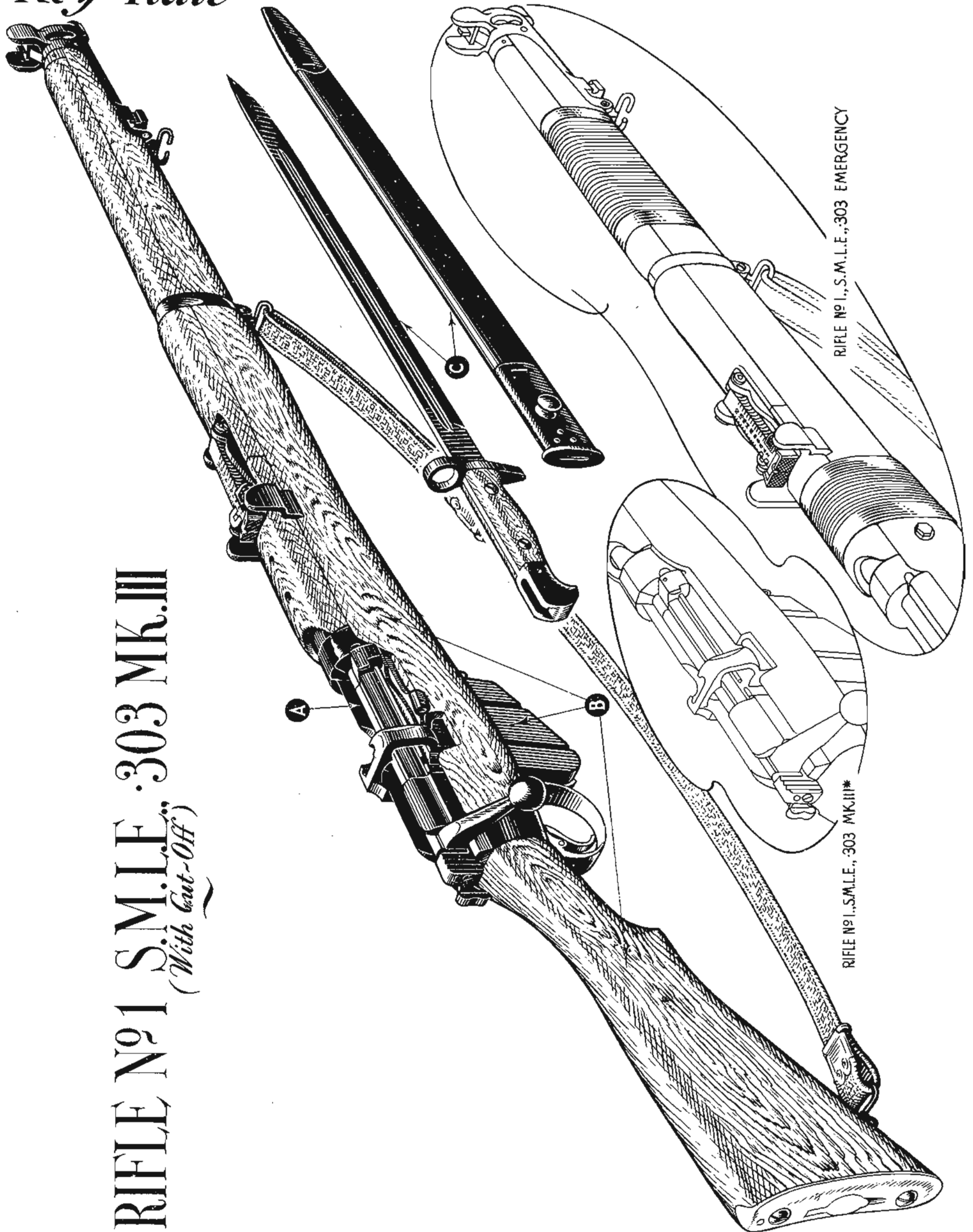
A.	Assembly	H. Pd.	Hot Pressed
A. A.	Anti-Aircraft	H. R.	Hard Rolled
Al.	Aluminium	H. T. S.	Heat Treated Steel
A. P.	Armour Piercing	I. Hd.	Instrument Head
Asb.	Asbestos	In. or "	Inches
Aust.	Australian Pattern	Inst.	Instrument
B.	Bronze	L.	Leather
B. A.	British Association	L. H.	Left Hand
Bel.	Bellite	M. A.	Main Assembly
Ber.	Beryllium	M. B.	Manganese Bronze
B. P. St.	Bullet Proof Steel	M. C. I.	Malleable Cast Iron
Br.	Brass	Mk.	Mark
Brol.	Brolium	mm.	Millimetre
B. S. F.	British Standard Fine	M. S.	Mild Steel
B. S. W.	British Standard Whitworth	N.	Nickel
C.	Copper	No.	Number
Carb.	Carbon	N. Sil.	Nickel Silver
C. F. P.	Cotton Filled Plastic	Ny.	Nycase
Ch.	Chrome	Pa.	Paper
Ch. St.	Chrome Steel	Ph. B.	Phosphor Bronze
Ch. hd.	Cheese Head	Pl.	Plate
C. I.	Cast Iron	P. M.	Plastic Moulding
Ck.	Cork	Porc.	Porcelain
Contd.	Continued	Pr.	Pounder
C. St.	Cast Steel	Q. F.	Quick Firing
Csk.	Countersunk	R.	Rubber
Cvs.	Canvas	R. B.	Rolled Bronze
D. C.	Die Cast	Rd.	Round
Dfx.	Duraflex	S. A.	Sub. Assembly
Dia. or d.	Diameter	Sq.	Square
Dur.	Duralium	Sh.	Sheet
F.	Felt	Si.	Silicon
Fi.	Fibre	Sil.	Silver
Fi. Hd.	Fillet Head	Slch.	Silichrome
Ft.	Foot or Feet	S. M. G.	Sub. Machine Gun
G. A.	General Arrangement	S. S.	Spring Steel
Galv.	Galvanised	Sta. St.	Stainless Steel
Gl.	Glass	S. T.	Single Turn
G. M.	Gun Metal	St.	Steel
Hd.	Head	S. W. G.	Standard Wire Gauge
Hex.	Hexagonal	Vdum.	Vanadium
Hidu.	Hiduminium	W. M.	White Metal

Index to Key Plate

PLATE	Facing Page
A. Barrel; Body and Bolt, Breech Assemblies	9 and 10
B. Magazine "B" and Stock Assembly	11 and 12
C. Bayonet, No.1, Mk.I; Scabbard. Bayonet, No.1, Mk.II.& C.	13
RIFLE, NO.1, MK.III., S.M.L.E., .303-IN., (with cut-off)	
WITH BANTAM BUTT -	VOCAB. NO. - BA 0576
WITH LONG BUTT -	" " - BA 0577
WITH NORMAL BUTT -	" " - BA 0578
WITH SHORT BUTT -	" " - BA 0579
BARREL, WITH BODY -	" " - BB 0580
(With Sights assembled ("O" Blade); inner band; and pin, stop, bolt locking, 2)	
BODY -	VOCAB. NO. - BB 0581
(With pin, stop, bolt locking, 2)	
CUT-OFF -	VOCAB. NO. - BB 0582
SCREW, CUT-OFF -	" " - BB 0583
RIFLE, NO.1, MK.III*, S.M.L.E., .303-IN., (without cut-off)	
WITH BANTAM BUTT -	VOCAB. NO. - BA 0590
WITH LONG BUTT -	" " - BA 0591
WITH NORMAL BUTT -	" " - BA 0592
WITH SHORT BUTT -	" " - BA 0593
BARREL, WITH BODY -	" " - BB 0594
(With Sights assembled ("O" Blade); inner band; and pin, stop, bolt locking, 2)	
BODY -	VOCAB. NO. - BB 0595
(With pin, stop, bolt locking, 2)	
RIFLE, NO.1, MK.III., S.M.L.E., .303-IN., EMERGENCY (for Rifle Grenade Training)	
(With wire binding around stock fore-end and hand guard, and screw reinforcing stock, fore-end).	
-	VOCAB. NO. - BC 0642
All components, (with the exception of those listed above) of RIFLE, NO.1, MK.III* and RIFLE, NO.1, MK.III., EMERGENCY same as RIFLE, NO.1, MK.III.	

Key Plate

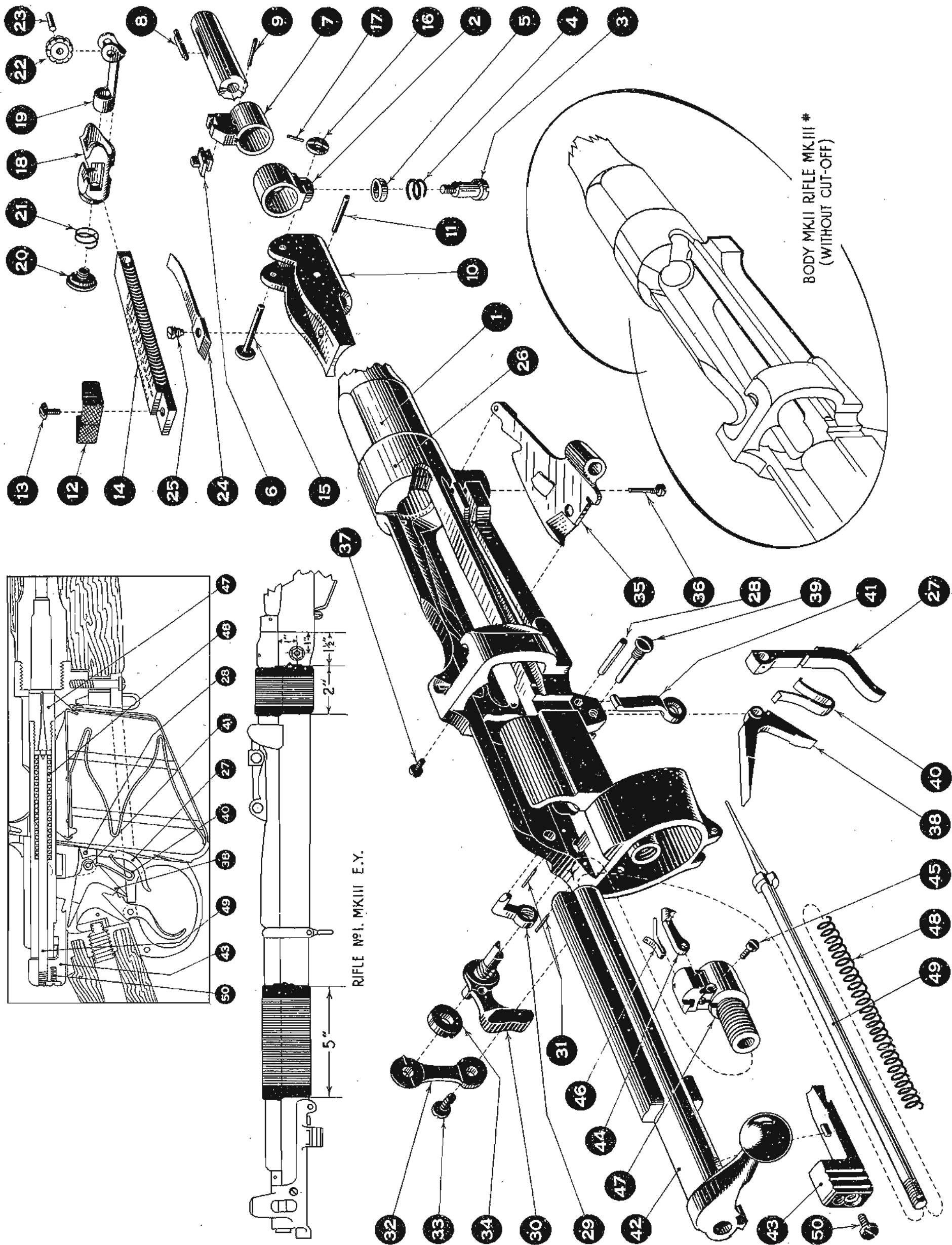
RIFLE N°1 S.M.L.E., .303 MK.III
(With Cut-Off)



RIFLE N°1., S.M.L.E., .303 EMERGENCY

RIFLE N°1., S.M.L.E., .303 MK.III*

Plate A



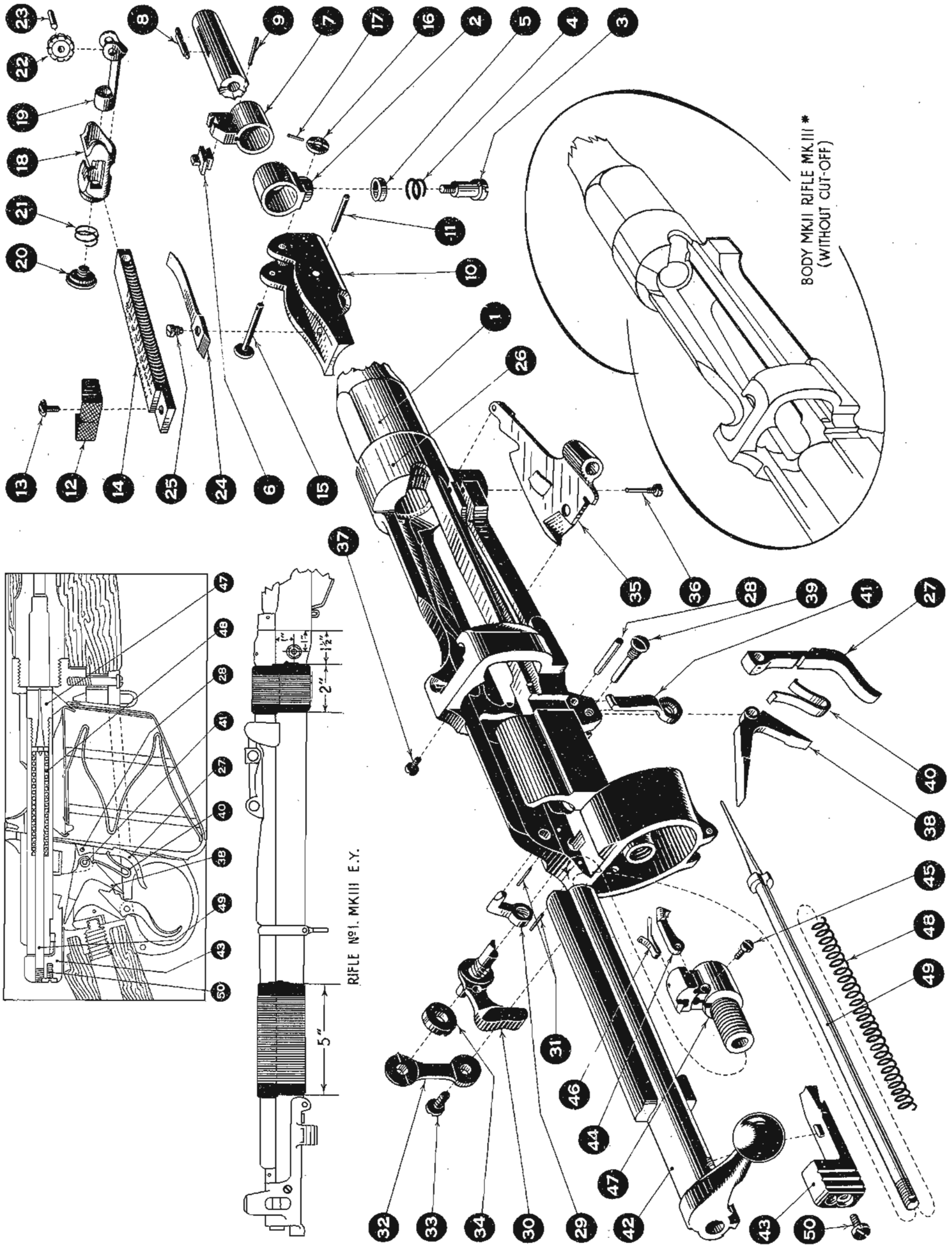
RIFLE No. 1, Mk.III and Mk.III*

REF. NO.	DESIGNATION	VOCAB. NUMBER	MAT.	NO. OFF	DRAWING NUMBER
• • •	RIFLE, NO.1, MK.III., .303-in.	GA			SAID 1317
• • •	BARREL ASSEMBLY	A			" 1318
A 1	BARREL (a)		St.	1	" "
2	BAND, inner		St.	1	" "
3	SCREW	BB 0724	St.	1	1320
4	SPRING	" 0757	S.S.	1	1319
5	WASHER	" 0783	St.	1	1320
• • •	FORESIGHT	SA			" 1318
6	BLADE		St.	1	" "
	Sizes :-				" "
	- .06"	BB 0654			" "
	- .045"	" 0655			" "
	- .03"	" 0656			" "
	- .015"	" 0657			" "
	"0"	" 0658			" "
	+ .015"	" 0659			" "
	+ .03"	" 0660			" "
	+ .045"	" 6145			" "
7	BLOCK, band	BAA 3403	St.	1	" "
8	KEY	" 3405	St.	1	" "
9	PIN, fixing	" 3408	St.	1	1320
• • •	BODY ASSEMBLY				
• • •	BACKSIGHT	A			
10	BED	SA			" 1318
11	PIN, fixing	" 3401	St.	1	" "
12	CAP	" 3407	St.	1	1320
13	SCREW	BB 0665	St.	1	1318
14	LEAF, "B"	" 0726	St.	1	1320
15	PIN, axis	" 0696	St.	1	1318
16	WASHER	" 0706	St.	1	1320
17	PIN	" 0781	St.	1	" "
18	SLIDE	" 0716	St.	1	" "
19	CATCH	" 0747	St.	1	1318
20	SCREW	" 0672	St.	1	" "
21	SPRING	" 0730	St.	1	1320
22	WORM	" 0751	S.S.	1	1319
23	PIN	" 0786	St.	1	1318
24	SPRING, sight back	" 0717	St.	1	1320
25	SCREW	" 0760	S.S.	1	1319
		" 0741	St.	1	1320
		BAA 3400			
		" 3404			
		" 3413			
		" 3406			

(a) Barrel, without body, with sights
 (b) Cap, backsight, (Aust)
 (c) Screw, cap, backsight, (Aust)
 (d) Leaf, backsight, (Aust)

Notes (b), (c) and (d) are used on Rifles manufactured since 1943.

Plate A



BODY MK II RIFLE MK III *
(WITHOUT CUT-OFF)

RIFLE No 1. MK III E.Y.

5"

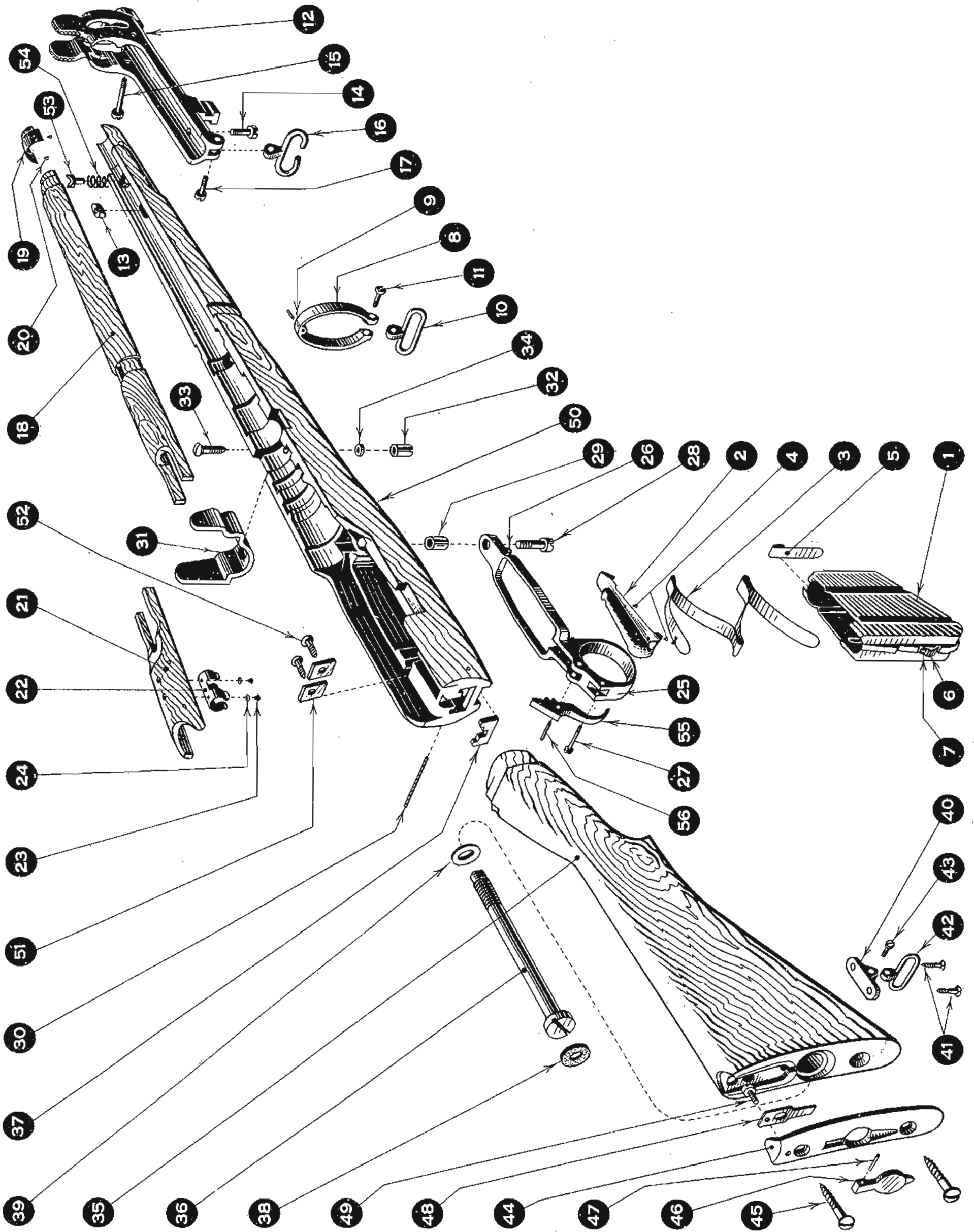
2"

1 1/2"

RIFLE No. 1, Mk.III and Mk.III*

REF. NO.	DESIGNATION	VOCAB. NUMBER	MAT	NO. OFR	DRAWING NUMBER
•••	RIFLE, NO.1, MK.III.,.303-in.				
•••	BODY ASSEMBLY (continued)				
A 26	BODY	BB 0595	St.	1	SAID 1318
27	CATCH, magazine	BB 0670	St.	1	" "
28	PIN	" 0707	St.	1	" 1320
29	CATCH, safety	" 0671	St.	1	" 1318
30	BOLT, locking	" 0662	St.	1	" "
31	PIN, stop	" 0713	St.	2	" 1320
32	SPRING, Mk.I.	" 0750	St.	1	" 1319
33	SCREW, Mk.I.	" 0740	St.	1	" 1320
34	WASHER, Mk.I.	" 0784	St.	1	" "
35	CUT-OFF		St.	1	
36	SCREW		St.	1	
37	SCREW, ejector, "B"	" 0733	St.	1	" "
38	SEAR	" 0746	St.	1	" 1318
39	SCREW	" 0739	St.	1	" 1320
40	SPRING	" 0759	S.S.	1	" 1319
41	SPRING, retaining	" 0756	S.S.	1	" 1319
•••	BOLT, BREACH, ASSEMBLY				
42	BOLT	" 0661	St.	1	" 1318
43	COCKING-PIECE, "B"	" 0675	St.	1	" "
44	EXTRACTOR	" 0680	St.	1	" "
45	SCREW	" 0734	St.	1	" 1320
46	SPRING	" 0752	S.S.	1	" 1319
47	HEAD	" 0690	St.	1	" 1318
48	SPRING, main	" 0754	S.S.	1	" 1319
49	STRIKER, "B"	" 0769	St.	1	" 1318
50	SCREW	" 0743	St.	1	" 1320
	(a) Also Spring, Mk.II.	BB 7931			
	(b) Also screw, Mk.II. To be demanded as Screw, cap, backsight (Cat.No. BB 0726)				
	(c) Also Washer, Mk.II.	BAA 7931			
	Notes (a), (b) and (c) are used on Rifles manufactured since 1943.				

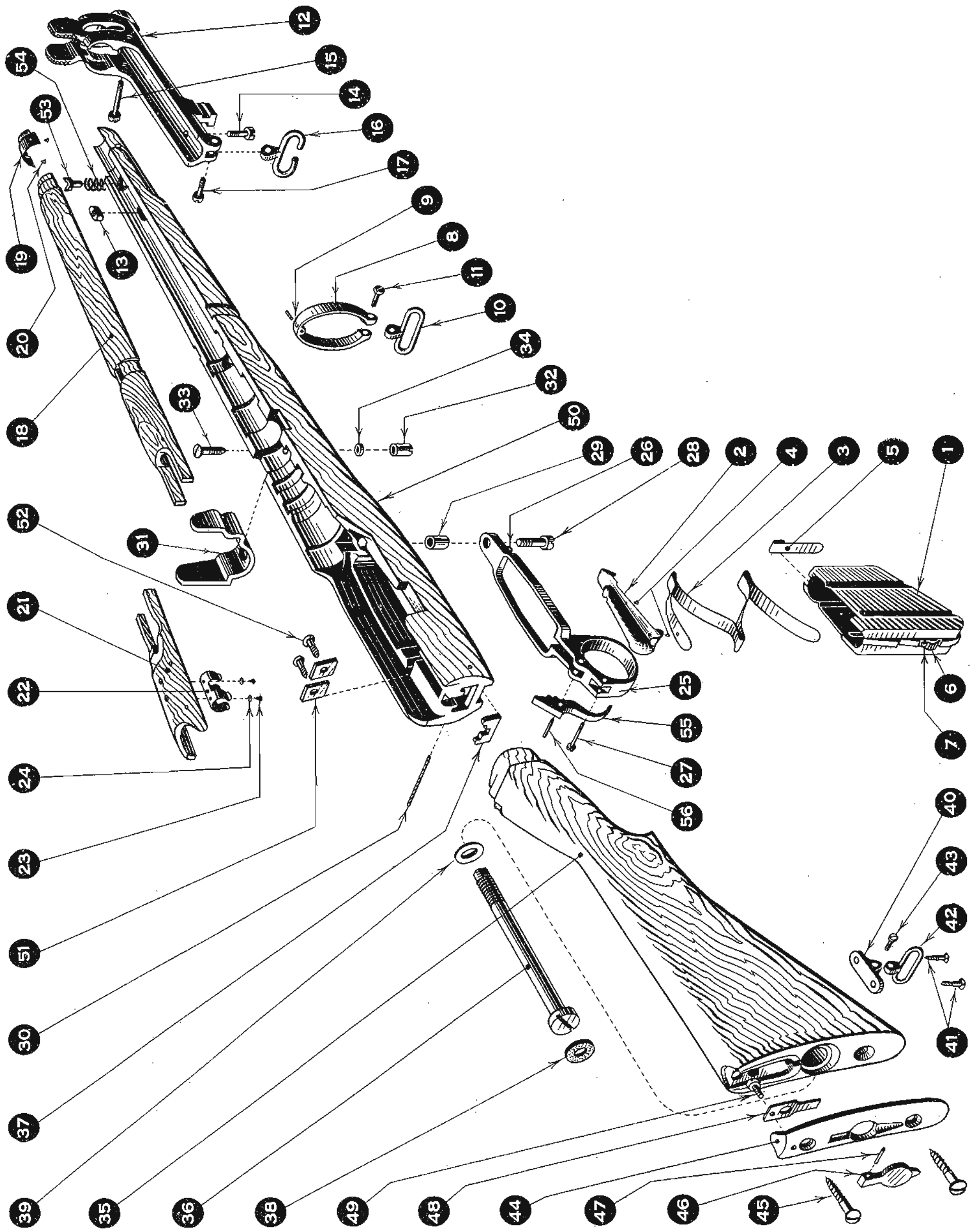
Plate B



RIFLE No. 1, Mk.III and Mk.III*

REF. NO.	DESIGNATION	VOCAB. NUMBER	MAT.	NO. OFF	DRAWING NUMBER
..	RIFLE, NO. 1, MK. III., .303-in., (continued)				SAID 1317
..	MAGAZINE "B"	BB 0698 SA	St.	1	"
B	CASE, "B"	" 0669	St.	1	"
1	PLATFORM, "B"	" 0721	S.S.	1	1319
2	SPRING RIVET	BAA 3411	M.S.	2	1320
3	SPRING, auxiliary, "B"	BB 0749	S.S.	1	1315
4	SPRING, rib	BAA 3414	S.S.	1	"
5	RIVET	" 3412	M.S.	1	1320
6	STOCK ASSEMBLY				1317
7	BAND, outer	BB 0652	St.	1	1318
8	PIN, joint	BAA 3409	St.	1	1320
9	SWIVEL, sling	BE 0774	St.	(1)	1319
10	SCREW	" 0744	St.	(1)	1320
11	CAP, nose	" 0667	St.	1	1318
12	NUT	" 0700	St.	1	1320
13	SCREW, back	" 0728	St.	1	"
14	SCREW, front	" 0729	St.	1	"
15	SWIVEL, piling, "B"	" 0773	St.	1	1319
16	SCREW	" 0744	St.	(1)	1320
17	GUARD, hand, front	" 0685	Wood	1	1317
18	CAP	" 0666	St.	1	"
19	SCREW	" 0727	St.	2	1320
20	GUARD, hand, rear	" 0686	Wood	1	1317
21	SPRING	" 0753	S.S.	1	1319
22	RIVET	" 0723	C.	2	1320
23	WASHER	" 0779	C.	2	"
24	GUARD, trigger	" 0687	St.	1	1318
25	LOOP, cover, breech		St.	1	"
26	SCREW, back	" 0735	St.	1	1320
27	SCREW, front	" 0736	St.	1	"
28	COLLAR	" 0676	St.	1	1319
29					

Plate B

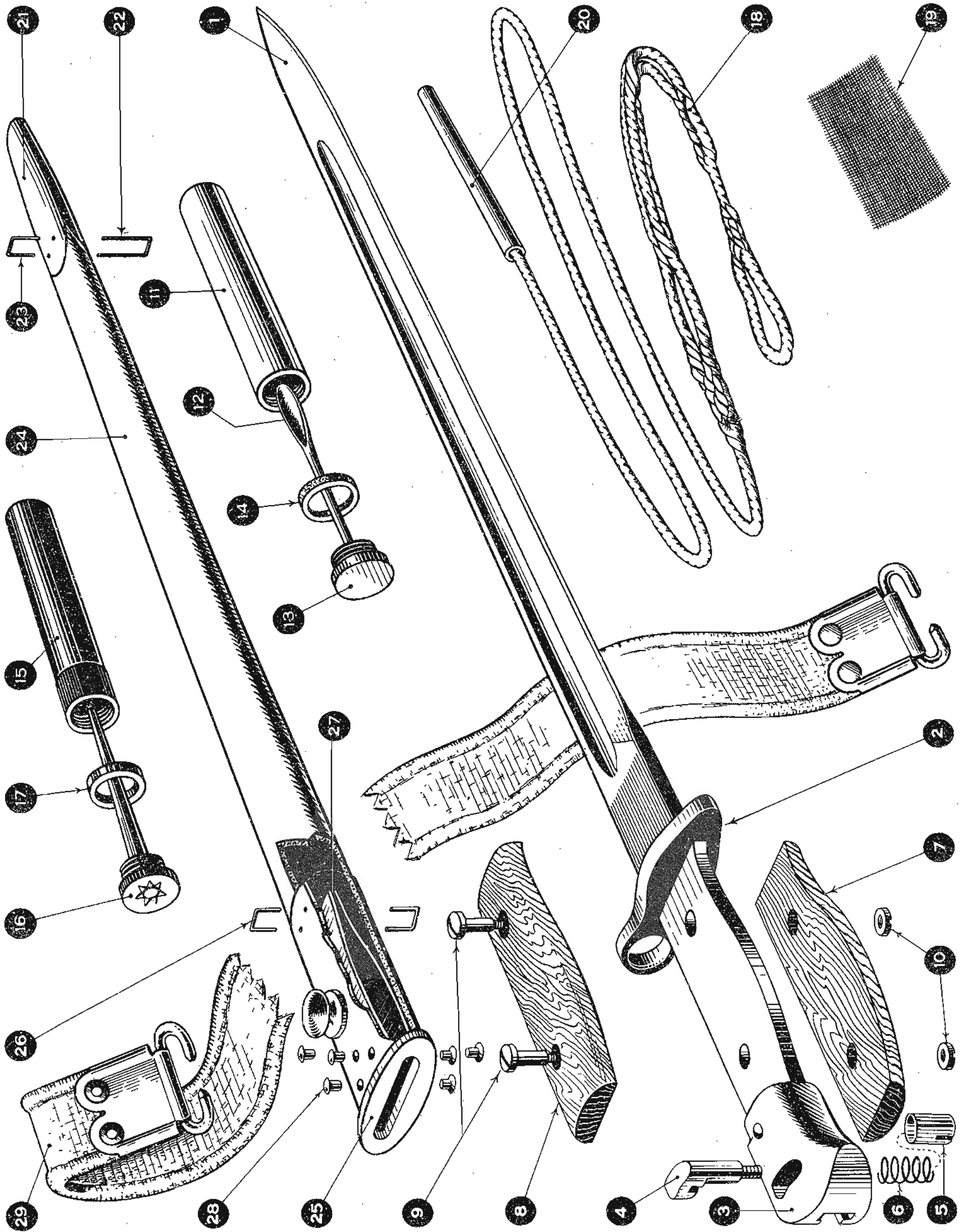


RIFLE No. 1, Mk.III and Mk.III*

REF. NO.	DESIGNATION	VOCAB. NUMBER	MAT.	NO. OFF.	DRAWING NUMBER
•••	RIFLE, NO.1, MK.III., .303-in.				
•••	STOCK ASSEMBLY				
B 30	PIN, screwed, fore-end	BB 0722	Br.	1	SAID 1320
31	PROTECTOR	" 0701	St.	1	" 1317
32	NUT	" 0738	St.	1	" 1320
33	SCREW	" 0780	St.	1	" "
34	WASHER, nut, screw	" 0663	St.	1	" "
35	STOCK, butt, Mk.I, \emptyset	" 0719	Wood	1	" 1317
36	BOLT, "A"	" 0777	St.	1	" 1319
37	PLATE	" 0778	L.	1	" "
38	WAD	" 0664	St.	1	" 1320
39	WASHER	" 0725	St.	1	" 1318
40	BRACKET	" 0774	St.	2	" 1320
41	SCREW	" 0744	St.	(i) 1	" 1319
42	SWIVEL, sling	" 0737	St.	(i) 1	" 1320
43	SCREW	" 0775	Br.	2	" 1318
44	PLATE, butt	" 0714	St.	1	" 1320
45	SCREW	" 0762	S.S.	1	" 1319
46	TRAP	" 0742	St.	1	" 1320
47	PIN	" 0768	Wood	1	" 1317
48	SPRING	BAA 3410	C.	2	
49	SCREW			2	
50	STOCK, fore-end "B"			1	
51	PLATE, copper	BB 0771	Br.	2	" "
52	SCREW	" 0761	St.	1	" 1319
53	STUD	" 0776	S.S.	1	" 1318
54	SPRING	" 0715	St.	1	" 1320
55	TRIGGER			(i) 1	
56	PIN				
	(a) Plate, butt, Assd.	BB 0718			
	(b) Includes screws				

\emptyset STOCK, butt.
 Sizes :-
 Bantam BB 9764
 * Long BB 0765
 * Normal BB 0766
 * Short BB 0767

Plate C



RIFLE No. 1, Mk.III and Mk.III*

REF. NO.	DESIGNATION	VOCAB. NUMBER	MAT.	NO. OFF	DRAWING NUMBER	
. . .	RIFLE, NO. 1, MK.III, ACCESSORIES					
. . .	BAYONET, NO. 1, MK.I.					
C	BLADE	BA 0022 A	St.	1	SAID 2474	
2	CROSS-PIECE		St.	1	"	
3	POMMEL		St.	1	"	
4	BOLT	BB 0024	St.	1	"	∅ Pull-through, single, Mk.IV, "A" BA 0517.
5	NUT	" 0033	St.	1	"	
6	SPRING	" 0036	St.	1	"	
7	GRIP, left	" 0025	Wood	1	"	
8	GRIP, right	" 0035	Wood	1	"	
9	pair	" 0034	St.	2	"	
10	SCREW, securing grip	" 0034	St.	2	"	
11	NUT	BA 0053 A	St.		ADD(S) 360	
. . .	BOTTLE, OIL, MK.IV.					
11	BODY	BB 0054	Br.	1	"	
12	SPOON	" 0055	St.	1	" 357	
13	STOPPER	" 0056	Br.	1	" 358	
14	WASHER	BA 6320 A	L.	1	" 359	
. . .	or					
15	BOTTLE, OIL, MK.V.,				DD(E) 2562	
16	BODY	BB 6321	P.M.	1	" -1	
17	STOPPER, with rod	" 6326	P.M.	1	" -4	
. . .	WASHER		L.	1	" -3	
18	PULL-THROUGH, SINGLE, MK.IV., "A" or "B" ∅				SAID 257E	
19	CORD, single	" 0520	Cord	1	"	
20	GAUZE (not provided with "B" pull-through)	" 0521	St.	1	"	
. . .	WEIGHT	" 0522	Br.	1	"	
21	SCABBARD, BAYONET, NO. 1, MK.II.	BA 1211 A	St.		2474	
22	CHAPE	BB 1212	M.S.		"	
23	LACE, long, .056" dia. x 1.35" M.S. wire	" 1213	M.S.	1	"	
24	LACE, short, .056" dia. x 1.05" M.S. wire	" 1214	M.S.	(i) 1	"	
25	LEATHER	" 8353	L.		"	
26	LOCKET	" 1216	St.	1	"	
27	LACE, short, .056" dia. x 1.05" M.S. wire	" 1214	M.S.	(i) 2	"	
28	SPRING		St.	2	"	
29	RIVET	AA 1657	M.S.	6	"	
29	SLING, rifle, web, (complete)		Web	1	"	

ADD 43
IL 56

RIFLE No. 3,
Mk.I* (T).

RIFLE No. 3 MK.1* (T), .303 IN. PATTERN 1914

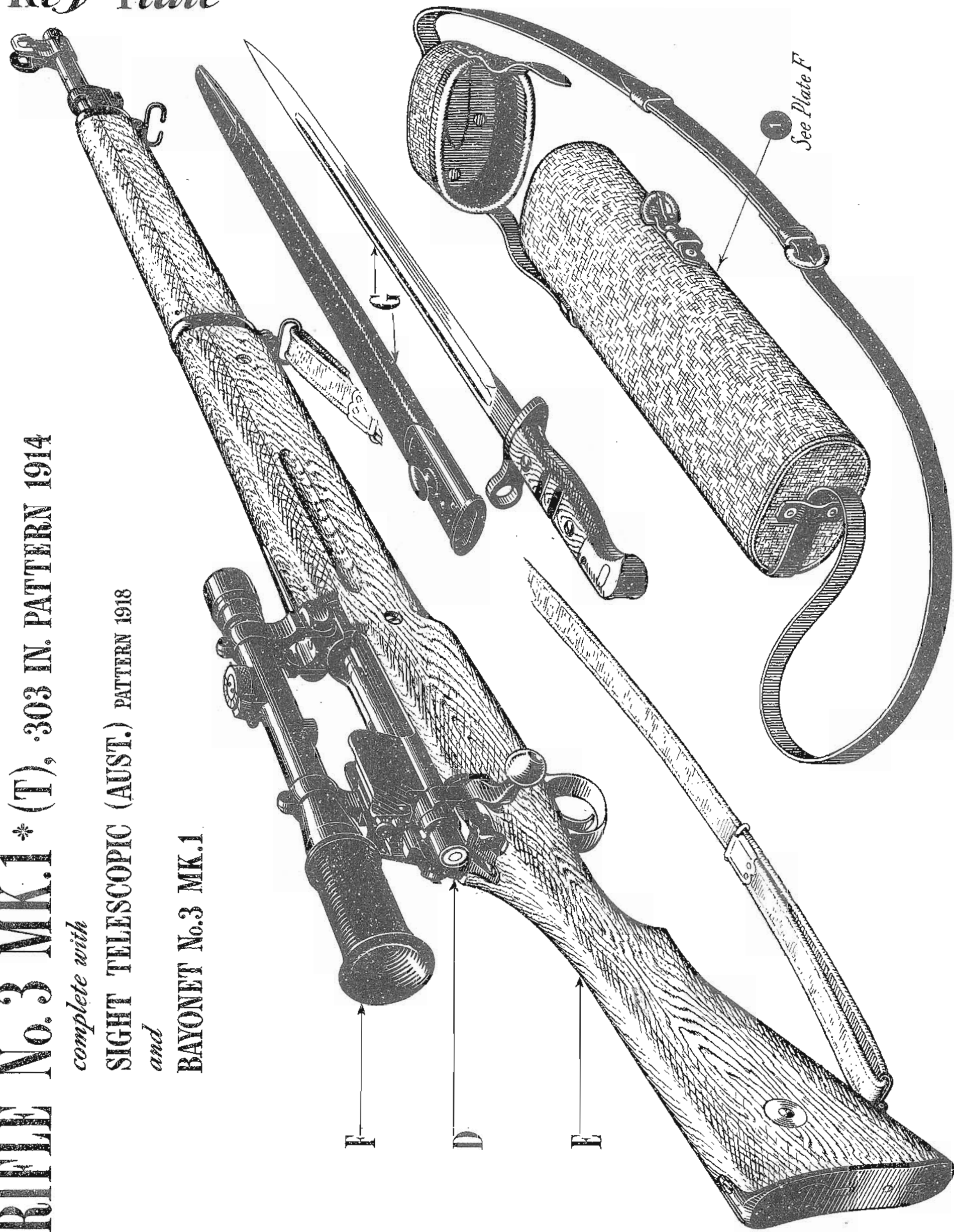
complete with

SIGHT TELESCOPE (AUST.) PATTERN 1918

and

BAYONET No.3 MK.1

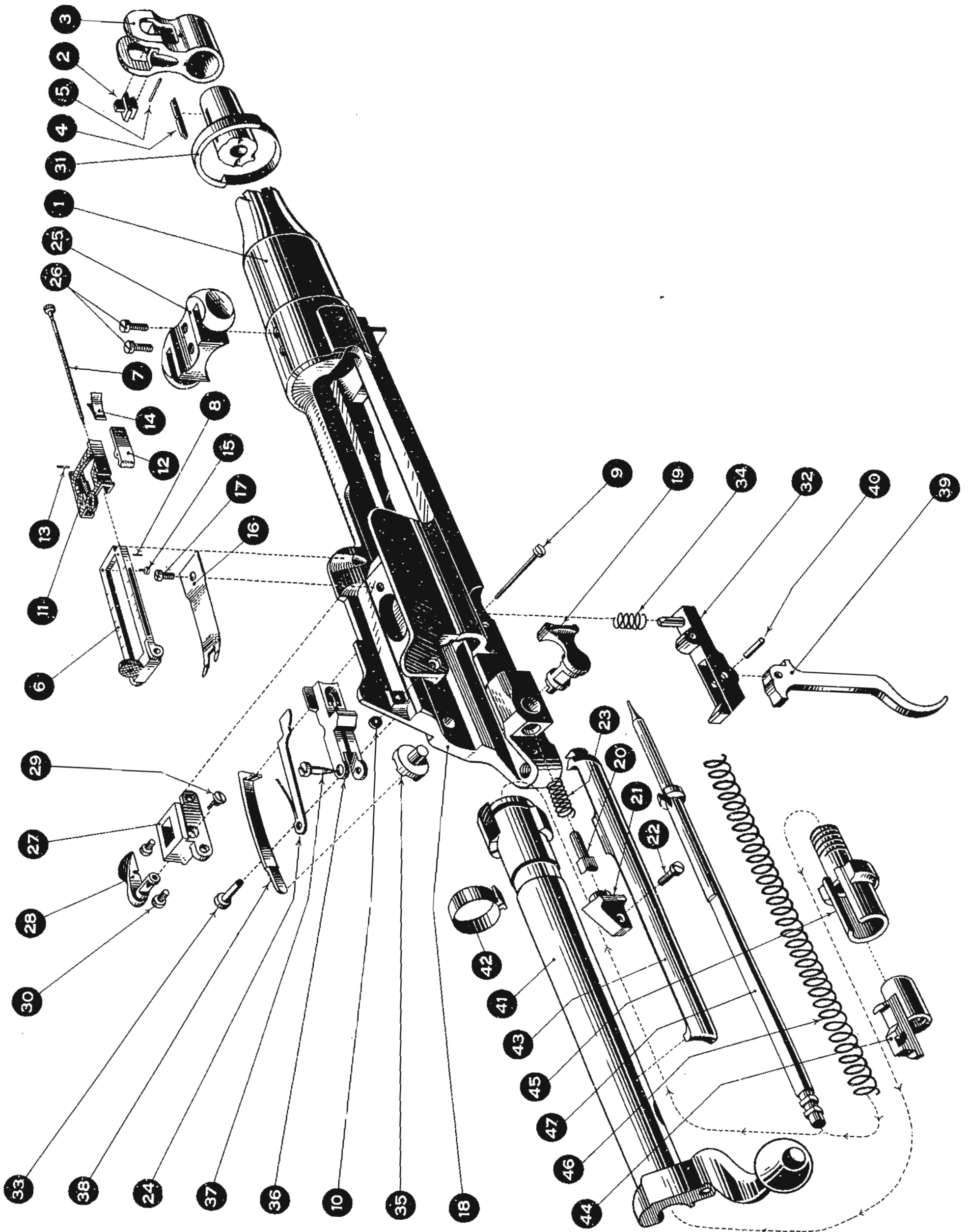
Key Plate



Index to Key Plate

Plate	Facing Page
D BARREL; BLADE, foresight & BACKSIGHT ...	17
EJECTOR; FITTINGS, telescope; & BOLT, breech	18
E CAP, nose; CASE, magazine & PLATFORM, magazine	19
STOCK 	20
F SIGHT, TELESCOPIC, PATT.1918 (AUST.)/1 ...	21 and 22
G ACCESSORIES, RIFLE NO.3, MK.I*(T) ...	23

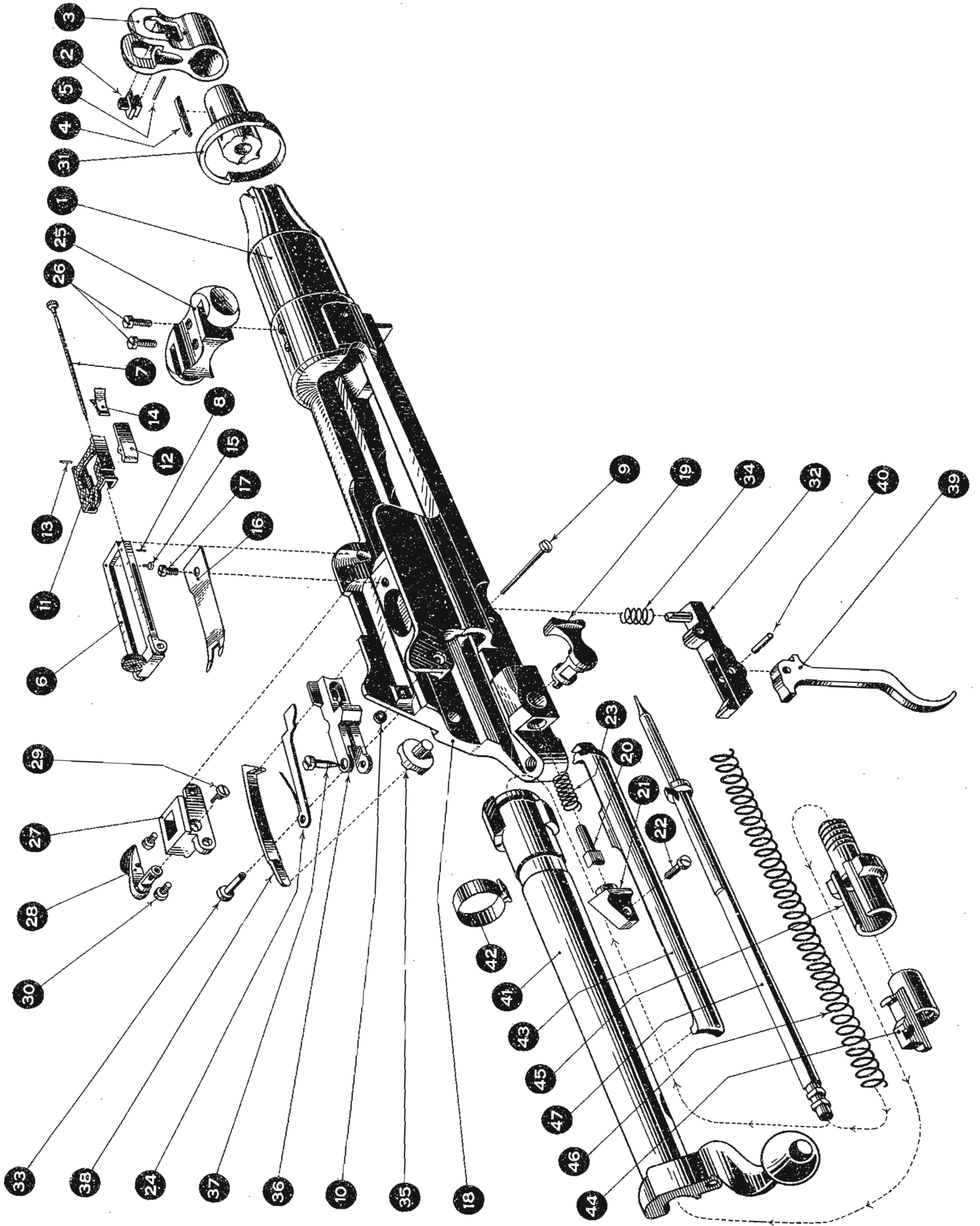
Plate D



RIFLE No. 3, Mk.I*(T)

REF. NO.	DESIGNATION	VOCAB. NUMER	MAT.	NO. OFF	REMARKS
. . .	RIFLE, NO.3. MK.I*(T), .303-in., pattern 1914	BA 0806 GA		1	NOTE:- THE DRAWING NUMBER FOR THIS RIFLE IS S.A.I.D.2058, 2059 ∅ Complete with SIGHT, TELESCOPIC and CASE, SIGHT, TELESCOPIC Vocab. No. (BA 0806) 6. Complete with SLIDE; SCREW STOP; SCREW, FINE ADJUSTING, and PIN, RETAINING (BB 0839) 11. SLIDE, BACKSIGHT with CATCH and SPRING ASSEMBLED (BB 0889)
. . .	BARREL ASSEMBLY	A		1	
D	BARREL		St.	1	
2	BLADE, foresight: Sizes:- .015"	BB 0810	St.	1	
	.0	" 0811			
	+ .015"	" 0812			
	.03"	" 0813			
	.045"	" 0814			
	.06"	" 0815			
	.075"	" 0816			
	.09"	" 0817			
	.105"	" 0818			
	.12"				
	.135"				
3	BLOCK, band, foresight		St.	1	
4	KEY		St.	1	
5	PIN, fixing		St.	1	
. . .	BODY, ASSEMBLY	A		1	
. . .	BACKSIGHT, No.3, ASSEMBLY	SA		1	
6	LEAF			1	
7	SCREW, fine adjustment, .088" dia. x 36 T.P.I.	BB 0839	St.	1	
8	PIN, retaining	" 0878	St.	1	
9	SCREW, axis, .096" dia. x 1.18" x 56 T.P.I.	" 0848	St.	1	
10	NUT	" 0875	St.	1	
11	SLIDE	" 0840	St.	1	
12	CATCH	" 0889	St.	1	
13	PIN, retaining	" 0829	St.	1	
14	SPRING	" 0847	St.	1	
15	SCREW, stop, .084" dia. x 57 T.P.I.	" 0892	St.	1	
16	SPRING	" 0885	St.	1	
17	SCREW, .144" dia. x .20" x 37 T.P.I.	" 0896	St.	1	
		" 0883	St.	1	

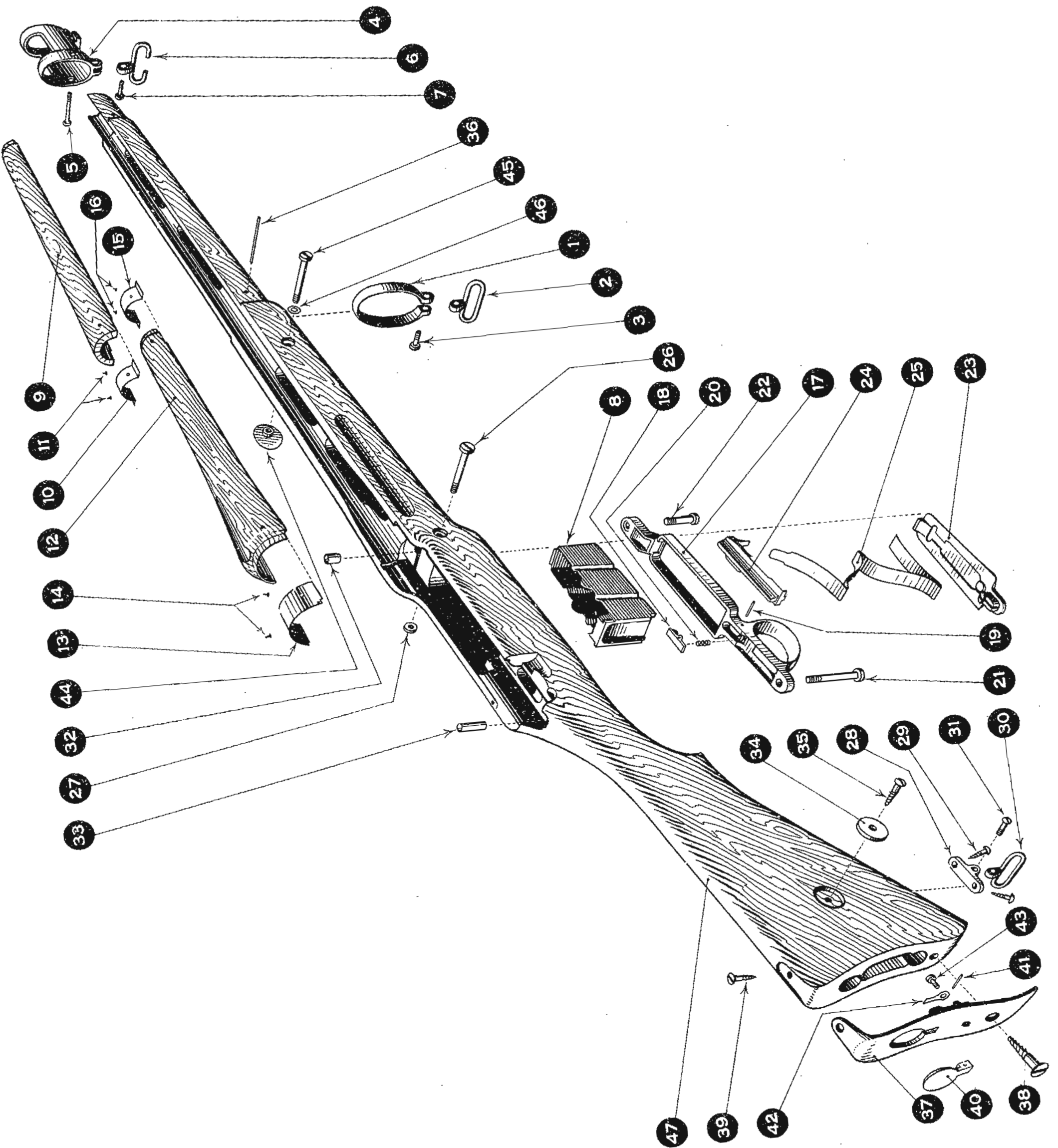
Plate D



RIFLE No. 3, Mk.I*(T)

REF. NO.	DESIGNATION	VOCAB. NUMBER	MAT.	NO. OFF	REMARKS
..	RIFLE, NO.3 MK.I*(T), .303-in., pattern 1914				
..	(continued)				
..	(continued)				
D	BODY ASSEMBLY				
18	BODY	BB 0828	St.	1	
19	CATCH, safety, No.3	BB 0823	St.	1	
20	BOLT, locking	" 0860	St.	1	
21	PLATE, cover	" 0881	St.	1	
22	SCREW, .12" dia. x 48 T.P.I.	" 0890	St.	1	
23	SPRING	" 0833	St.	1	
24	EJECTOR, No.3	SA			
..	FITTINGS, TELESCOPE				
25	FRONT		St.	1	
26	SCREW		St.	2	
27	REAR		St.	1	
28	CATCH		St.	1	
29	SCREW, retaining		St.	1	
30	SCREW		St.	2	
31	RING, guard, hand, No.3	BB 0874	St.	1	
32	SEAR, No.3	" 0887	St.	1	
33	PIN	" 0849	St.	1	
34	SPRING	" 0895	St.	1	
35	SIGHT, aperture, No.3 (stem removed)	" 0888	St.	1	
36	STOP, bolt, No.3	" 0910	St.	1	
37	SCREW, .126" dia. x 42 T.P.I.	" 0876	St.	1	
38	SPRING	" 0897	St.	1	
39	TRIGGER	" 0913	St.	1	
40	PIN, .1305" dia. x .33"	" 0852	St.	1	
..	BOLT, BREECH, NO.3, ASSEMBLY				
41	BOLT	BB 0822	St.	1	
42	RING, extractor	" 0873	St.	1	
43	EXTRACTOR	" 0834	St.	1	
44	PIECE, cocking	" 0830	St.	1	
45	PLUG	" 0872	St.	1	
46	SPRING, main	" 0893	St.	1	
47	STRIKER	" 0911	St.	1	

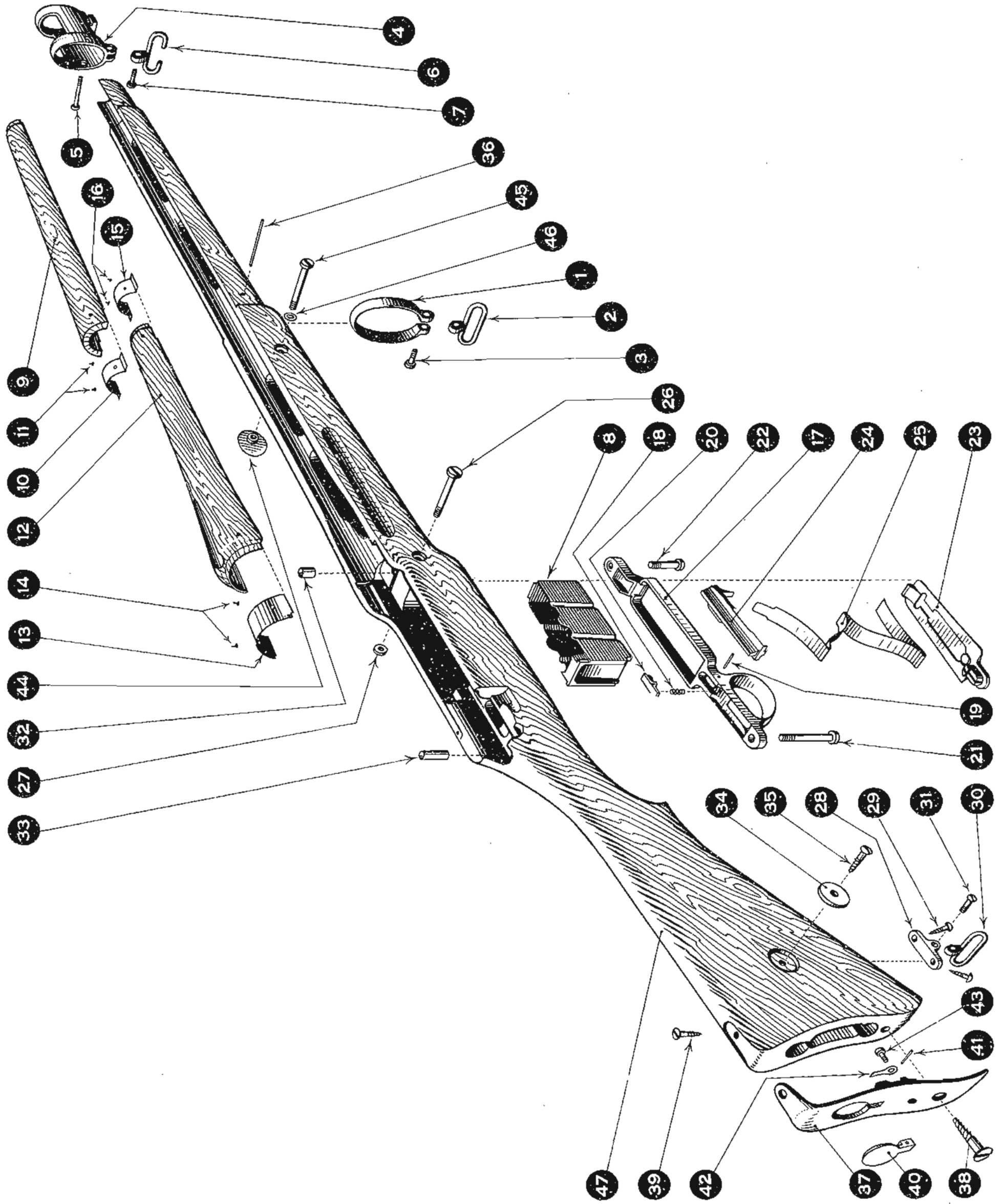
Plate E



RIFLE No. 3, Mk.I*(T)

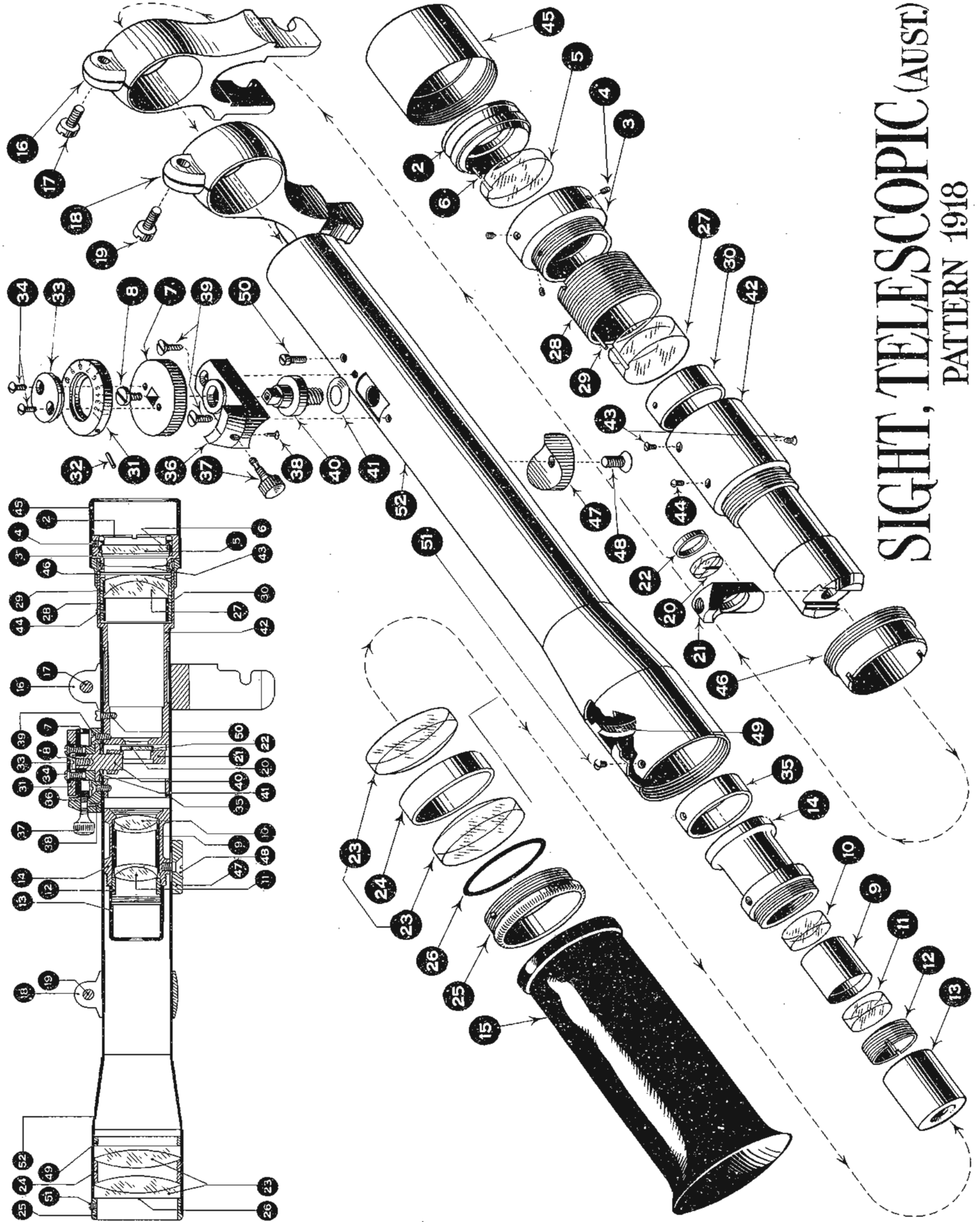
REF. NO.	DESIGNATION	VOCAB. NUMBER	MAT.	NO. OFF	REMARKS
• • •	RIFLE, NO. 3 MK.I*(T), .303-in., pattern 1914, (continued)				NOTE:-
E 1	BAND, No.3	BB 0809	St.	1	9. GUARD HAND FRONT NO.3. BB 0836. complete with liner and rivets.
2	SWIVEL	" 0774	St.	(i)1	
3	SCREW, .1875" dia. x .53" x 33 T.P.I.	" 0744	St.	(i)1	12. GUARD HAND REAR NO.3. BB 0837, complete with 2 liners and rivets.
4	CAP, nose, No.3	" 0825	St.	1	
5	SCREW, .1656" dia. x 1.13" x 37 T.P.I.	" 0877	St.	1	
6	SWIVEL, piling, "A" or "B"	BB 0772 for "A" " 0773 " "B"	St.	1	17. GUARD, TRIGGER, NO.3. BB 0838, complete with catch, magazine, BB 0827; pin, BB 0846; spring, BB 0891.
7	SCREW, .1875" dia. x .53" x 33 T.P.I.	BB 0744	St.	(i)1	
8	CASE, magazine	" 0826	St.	1	
9	GUARD, hard, front, No.3	" 0836	Wood	1	
10	LINER		St.	1	
11	RIVET, .095" dia. x .156"		M.S.	2	
12	GUARD, hand, rear, No.3	" 0837	Wood	1	
13	LINER, back		St.	1	
14	RIVET, .095" dia. x .200"		M.S.	2	
15	LINER, front		St.	1	
16	RIVET, .095" dia. x .225"		M.S.	2	
17	GUARD, trigger, No.3	BB 0838	St.	1	
18	CATCH, magazine	" 0827	St.	1	
19	PIN	" 0846	St.	1	
20	SPRING	" 0891	St.	1	
21	SCREW, back, .25" dia. x .177" x 30 T.P.I.	" 0879	St.	1	
22	SCREW, front, .25" dia. x .92" x 30 T.P.I.	" 0880	St.	1	
23	PLATE, magazine	" 0862	St.	1	
24	PLATFORM, magazine	" 0867	St.	1	
25	SPRING, magazine	" 0894	St.	1	

Plate E



RIFLE No. 3, Mk.I*(T)

REF. NO.	DESIGNATION	VOCAB. NUMBER	MAT.	NO. OFF	REMARKS
• • •	RIFLE, NO.3 MK.I*(T), .303-in., pattern 1914 (continued)				
• • •	STOCK ASSEMBLY	A			
26	BOLT, tie, No.3, .1875" dia. x 33 T.P.I.	BB 0814	St.	1	∅ DISC, marking, brass, sandblasted BB 0677.
27	NUT	" 0841	St.	1	DISC, marking, brass, polished BB 0678.
28	BRACKET, butt	" 0664	St.	1	
29	SCREW, .198" dia. x .905" x 10 T.P.I.	" 0725	St.	(1)2	37. PLATE BUTT, NO.3. BB 0861; issued with trap and spring assembled.
30	SWIVEL	" 0774	St.	(1)1	
31	SCREW, .1875" dia. x .53" x 33 T.P.I.	" 0744	St.	(1)1	
32	COLLAR, front, No.3	" 0831	St.	1	
33	COLLAR, rear, No.3	" 0832	St.	1	47. STOCK NO.3. BB 0909; issued with band, stop pin complete.
34	DISC, marking, brass	∅	Br.	1	
35	SCREW, brass, .186" dia. x .715" x 12 T.P.I.	BB 0731	Br.	1	
36	DISC, marking, steel.	BB 0679	St.	1	
37	SCREW, steel, .186" dia. x .715" x 12 T.P.I.	BB 0830	St.	1	
38	PIN, stop, band, .10" dia. x 1.34" long	" 0861	St.	1	
39	PLATE, butt, No.3	" 0882	St.	1	
40	SCREW, .31" dia. x 1.412" x 8 T.P.I.	" 0886	St.	1	
41	SCREW, strap, .2" dia. x .87" x 10 T.P.I.	" 0912	St.	1	
42	TRAP	" 0851	St.	1	
43	PIN, .104" dia. x .8" long	" 0898	St.	1	
44	SPRING	" 0884	St.	1	
45	SCREW, .1656" dia. x .361" x 37 T.P.I.		St.	1	
46	PLATE, sight, dial		St.	1	
47	SCREW, fixing, .1656" dia. x 1.15" x 37 T.P.I.		St.	1	
	WASHER, .375" dia. x .018" thick		St.	1	
	STOCK, No.3	BB 0909	Wood	1	

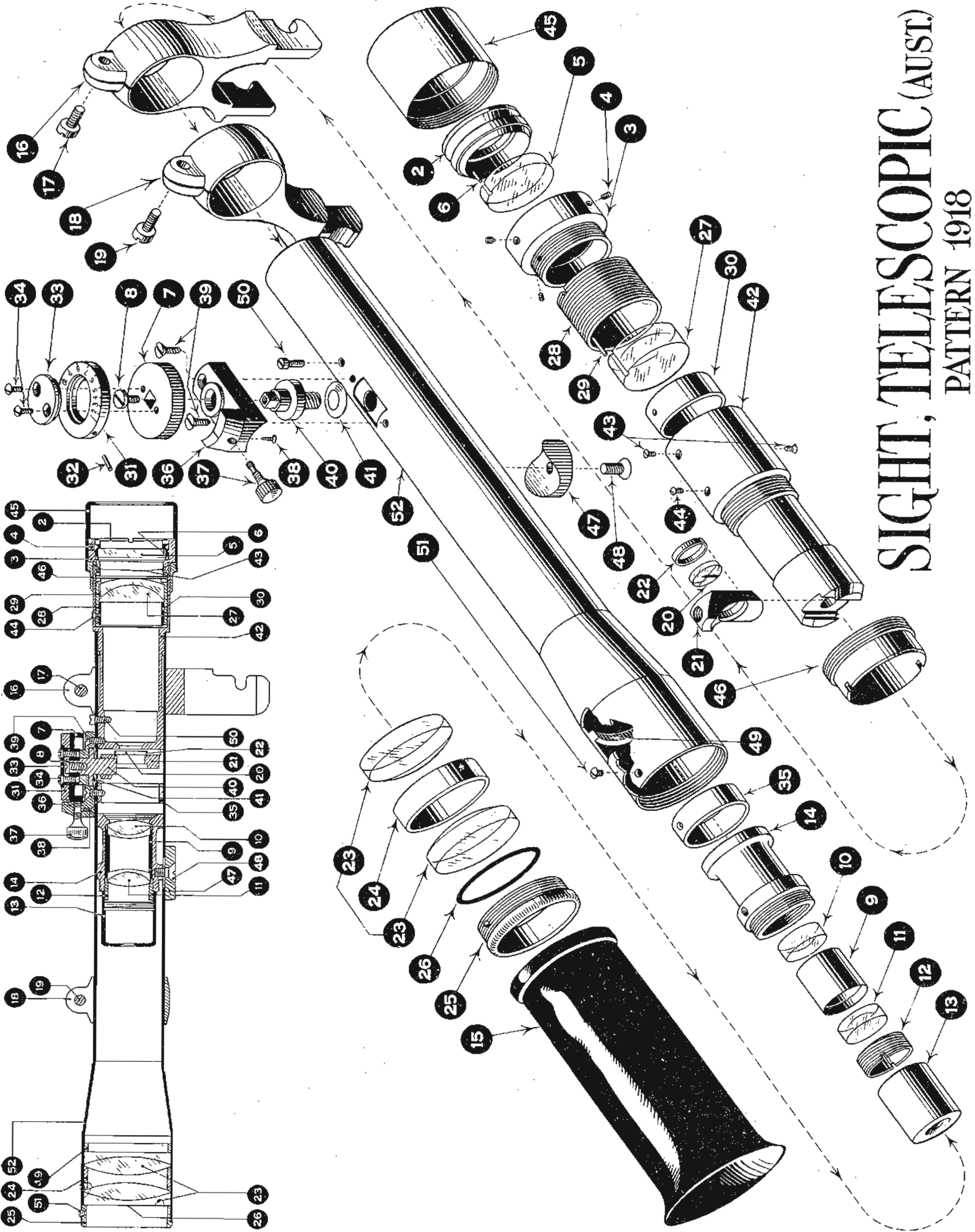


SIGHT TELESCOPIC (AUST)
PATTERN 1918

RIFLE No. 3, Mk.I*(T)

REF. NO.	DESIGNATION	VOCAB. NUMBER	MAT.	NO. OFF	DRAWING NUMBER
...	SIGHT, TELESCOPIC, PATT.1918 (AUST.)/1	BAA. 3600 GA		1	ADD(A)57-100
F 1	CASE (Illustrated on Key Plate)	BA. 0066	Fi.	1	"
2	CELL, prism	BAA. 3601	Br.	1	" 57-114
3	ADAPTER	BAA. 3601	Br.	1	" 57-115
4	SCREW, fixing, 8 BA x .100"	BAA. 3603	M.S.	2	" 57-116
5	WINDOW	BAA. 3604	GL.	1	" 57-112
6	WIRE, .016" dia. x .093"		Br.	1	" 57-114
7	DRUM, range	BAA. 3606	Br.	1	" 57-130
8	SCREW, fixing	BAA. 3607	Br.	1	" 57-125
...	ERECTOR, ASSEMBLY	BAA. 3608 A	M.S.	1	" 57-105
9	CELL, erecting lenses	BAA. 3609	Br.	1	" 57-108
10	LENS, No.2	BAA. 3610	GL.	1	" 57-107
11	LENS, No.3	BAA. 3611	GL.	1	" 57-109
12	RING, clamp	BAA. 3612	Br.	1	" 57-110
13	RING, locking, stoplight	BAA. 3613	Br.	1	" 57-111
14	TUBE	BAA. 3614	Br.	1	" 57-106
15	EYEGUARD, detachable	BAA. 3615	Ru.	1	ADD(A)45-109
16	FITTINGS, overhead, front	BAA. 3616	M.S.	1	ADD(A)57-123
17	SCREW, clamping	BAA. 3617	M.S.	(1)1	" 57-124
18	FITTINGS, overhead, rear	BAA. 3618	M.S.	1	" 57-137
19	SCREW, clamping	BAA. 3617	M.S.	(1)1	" 57-124
...	GRATICULE ASSEMBLY	BAA. 3619 A	M.S.	1	" 57-101
20	GRATICULE	BAA. 3620	GL.	1	" 57-103
21	GUIDE	BAA. 3621	Br.	1	" 57-104
22	RING	BAA. 3622	Br.	1	" 57-102
23	LENS, eye, No.4 & No.5	BAA. 3623	GL.	2	" 57-139
24	RING, distance	BAA. 3624	Br.	1	" 57-140
25	RING, locking	BAA. 3625	Br.	1	" 57-141
26	RING, sealing	BAA. 3633	Fi.	1	"

Plate F

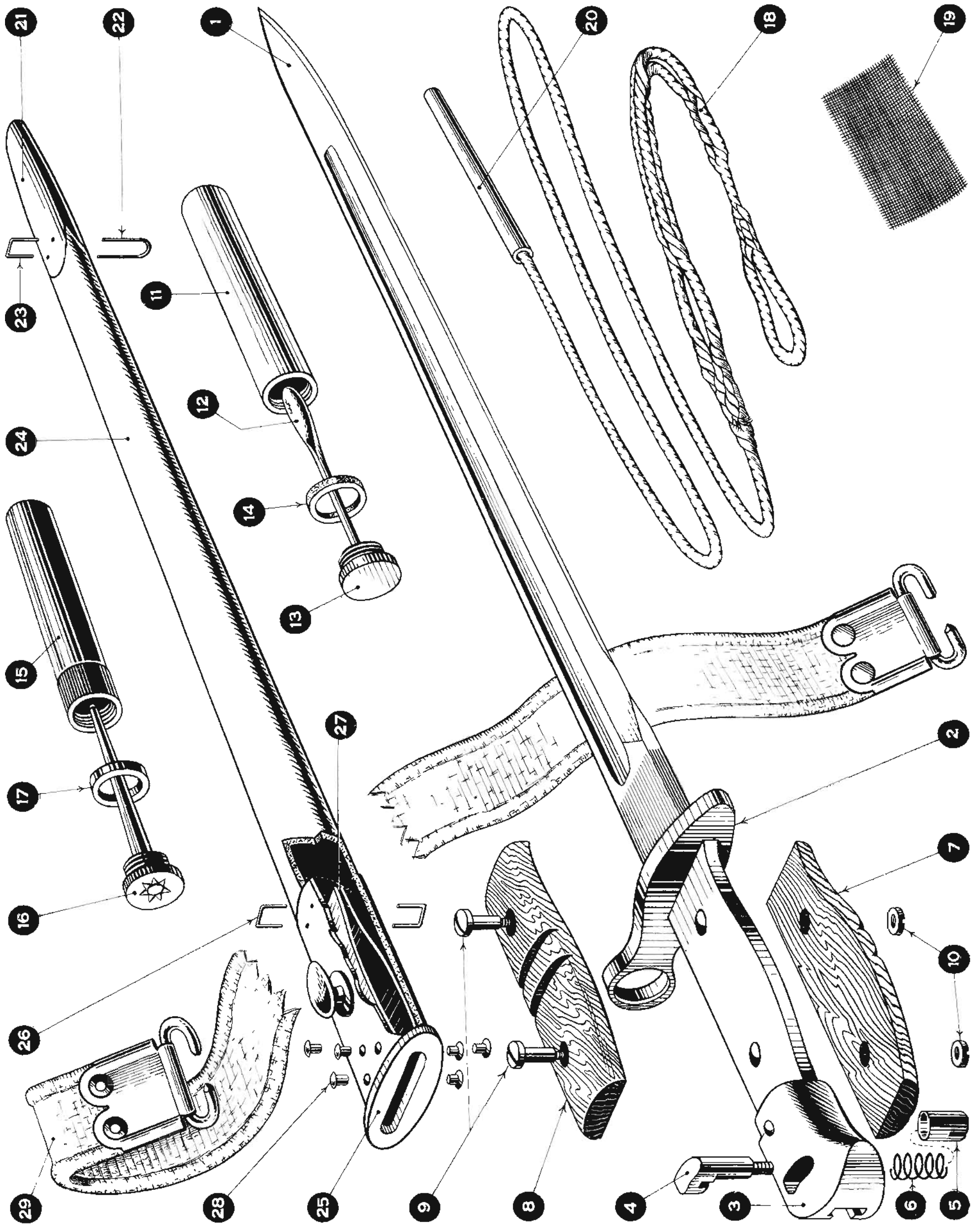


SIGHT TELESCOPIC (AUST.)
PATTERN 1918

RIFLE No. 3, Mk.I*(T)

REF. NO.	DESIGNATION	VOCAB. NUMBER	MAT.	NO. OFF	DRAWING NUMBER	REMARKS
• • •	SIGHT, TELESCOPIG, PATT. 1918 (AUST.)/1	BAA. 3600 GA		1	ADD(A) 57-100	
F 27	OBJECT-GLASS (lens No.1)	BAA. 3626	Gl.	1	" 57-119	
28	CELL	BAA. 3627	Br.	1	" 57-118	
29	WIRE, .016" dia. x .187"		Br.	1	" 57-118	
30	RING, burnishing	BAA. 3629	Br.	1	" 57-120	
31	RING, scale, range	BAA. 3630	Br.	1	" 57-128	
32	PIN, .042" dia. x .133"	BAA. 3631	Br.	1	" 57-128	
33	WASHER, holding	BAA. 3632	Br.	1	" 57-126	
34	SCREW, inst. hd., 8 BA x 1/2"	VFA. 3600	M.S.	2	" 57-100/5	Shorten to .187"
35	RING, stiffening	BAA. 3634	Br.	1	" 57-134	
36	SADDLE	BAA. 3635	Br.	1	" 57-129	
37	SCREW, clamping, range drum	BAA. 3636	M.S.	1	" 57-132	
38	SCREW, stop	BAA. 3637	M.S.	1	" 57-133	
39	SCREW, c'sk. hd., 6 BA x 3/8"	G1/GAA. 6097	M.S.	2	" 57-100/4	Shorten to .234"
40	SCREW, elevating	BAA. 3638	M.S.	1	" 57-127	
41	WASHER, spring	BAA. 3639	S.S.	1	" 57-131	
42	SLEEVE, connecting	BAA. 3640	Br.	1	" 57-122	
43	SCREW, c'sk. hd., 8 BA x 3/8"	G1/GAA. 6099	M.S.	2	" 57-100/1	Shorten to .093"
44	SCREW, I.H., 10 BA x 1/2"	VFA. 3601	M.S.	1	" 57-100/2	Shorten to .109"
45	SHADE, ray	BAA. 3641	Br.	1	" 57-113	
46	COLLAR, fixing	BAA. 3642	Br.	1	" 57-117	
47	SLIDE, focussing	BAA. 3643	Br.	1	" 57-135	
48	SCREW, clamping	BAA. 3644	M.S.	1	" 57-136	
• • •	TUBE, BODY, ASSEMBLY	BAA. 3645 A		1	" 57-121	
49	RING, positioning, lens, eye	BAA. 3646	Br.	1	" 57-138	
50	SCREW, ch. hd., 6 BA x 1/2"	G1/GAA. 3779	M.S.	1	" 57-100/3	Shorten to .200"
51	SCREW, inst. hd., 10 BA x 1/2"	VFA. 3601	M.S.	1	" 57-100/6	Shorten to .078"
52	TUBE	BAA. 3647	M.S.	1	" 57-121	

Plate G



RIFLE No. 3, Mk.I*(T)

REF. NO.	DESIGNATION	VOCAB. NUMBER	MAT.	NO. OFF	DRAWING NUMBER	REMARKS
1	ACCESSORIES, RIFLE NO.3, MK.I*(T), pattern 1918	BA 0030 A	St.	1	S.A.I.D.2474	NOTE:- /Ø Pull-through, single, Mk.IV. "A" BA 0517 Pull-through, single, Mk.IV. "B" BA 0518
2	BAYONET, No.3, Mk.I		St.	1		
3	BLADE		St.	1		
4	CROSSPIECE		St.	1		
5	POMMEL		St.	1		
6	BOLT	BB 0031	St.	1		
7	NUT	" 0033	St.	1		
8	SPRING	" 0036	St.	1		
9	GRIP, left	" 0032	Wood	1		
10	GRIP, right	" 0032	Wood	1		
11	SCREW, grip	" 0035	St.	2		
12	NUT	" 0034	St.	2		
13	BOTTLE, OIL, MK.IV.	BA 0053 A	Br.	1		
14	BODY		St.	1		
15	SPOON	BB 0054	St.	1		
16	STOPPER	" 0055	Br.	1		
17	WASHER	" 0056	L.	1		
18	OT					
19	BOTTLE, OIL, MK.V.	A	P.M.	1	DD(E)2562	
20	BODY		P.M.	1		
21	STOPPER, with rod		L.	1		
22	WASHER			1		
23	PULL-THROUGH, single, Mk.IV. "A" or "B"	Ø		1	S.A.I.D.257 E	
24	CORD, 30"	BB 0520	Cord	1		
25	GAUZE (Not provided with "B" pull-throughs)	" 0521	St.	1		
26	WEIGHT	" 0522	Br.	1		
27	SCABBARD, BAYONET, NO.1, MK.II.	BA 1211 A	St.	1	S.A.I.D.2474	
28	CHAPE	BB 1212		1		
29	LACE, long, .056" dia. x 1.35", wire	" 1213	M.S.	1		
30	LACE, short, .056" dia. x 1.05", wire	" 1214	M.S.	(i)1		
31	LEATHER, finished	" 8353B	L.	1		
32	LOCKET	" 1216	St.	1		
33	LACE, short, .056" dia. x 1.05", wire	" 1214	M.S.	(i)2		
34	SPRING		St.	2		
35	RIVET		M.S.	6		
36	SLING, rifle, web. (complete)	AA 1657	Web.	1		

ADD 43
IL 57

RIFLE No. 4,
Mk.I and Mk.I*

Key Plate

RIFLE, No 4, .303

MK I & MK I ★

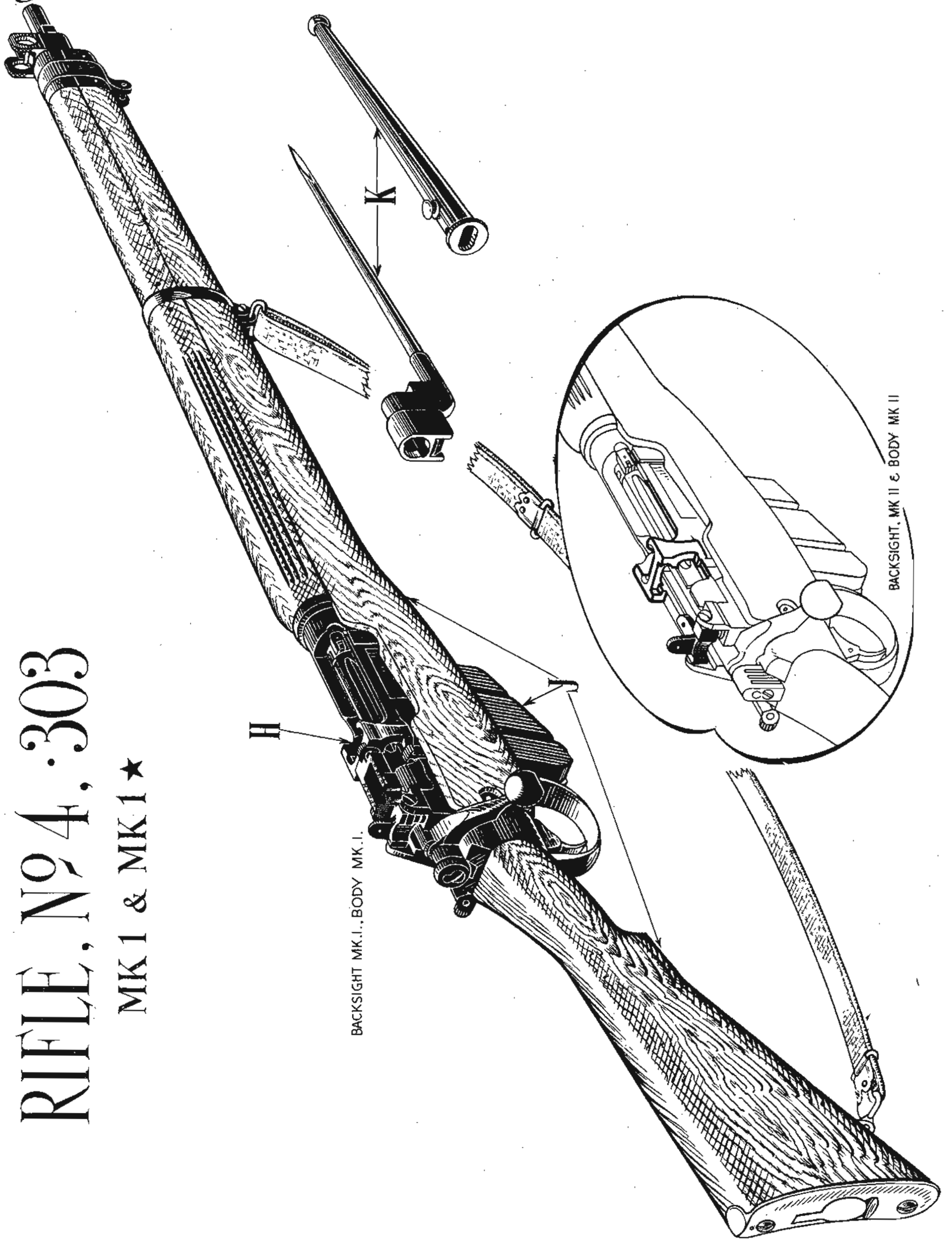
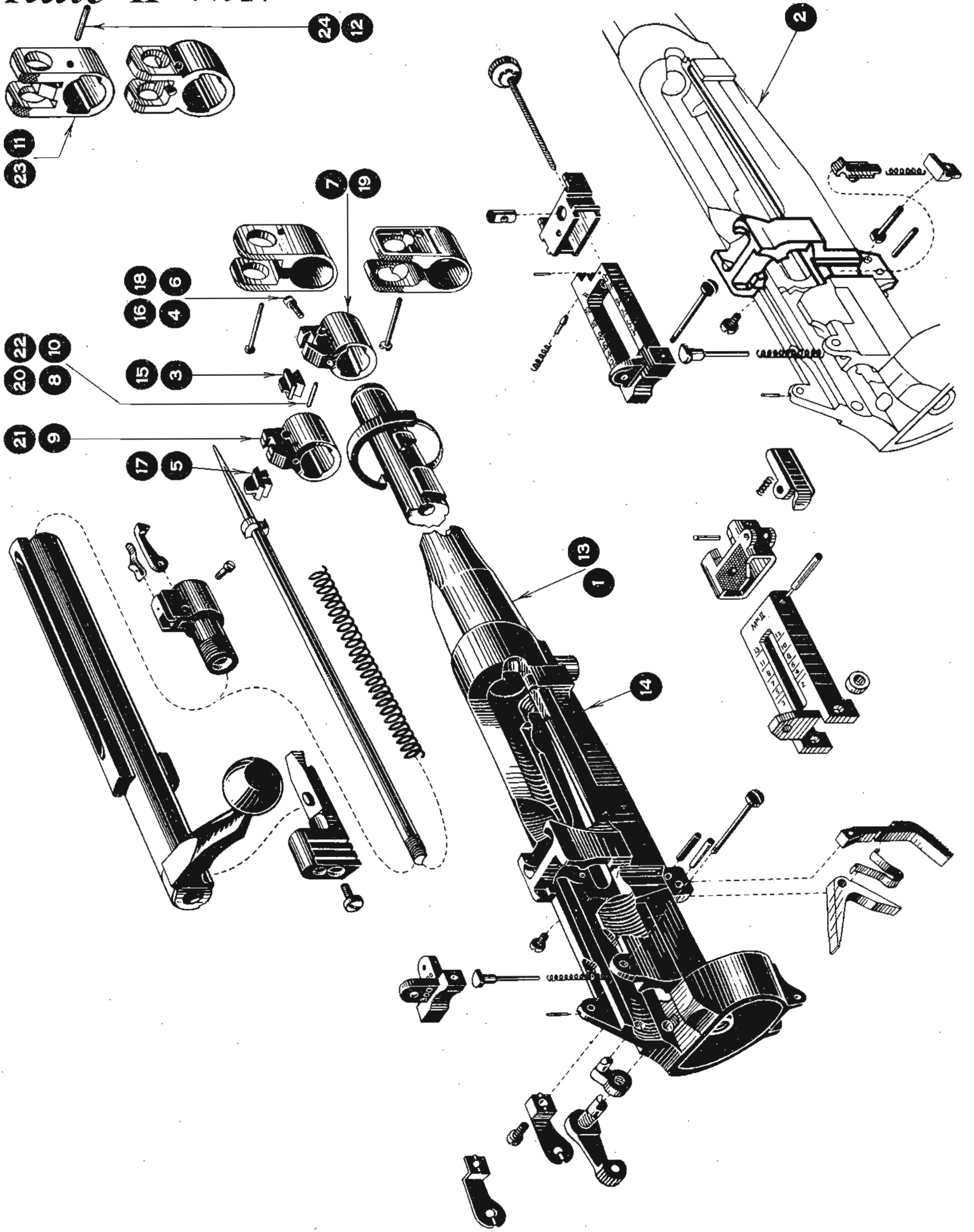


Plate H 1 to 24

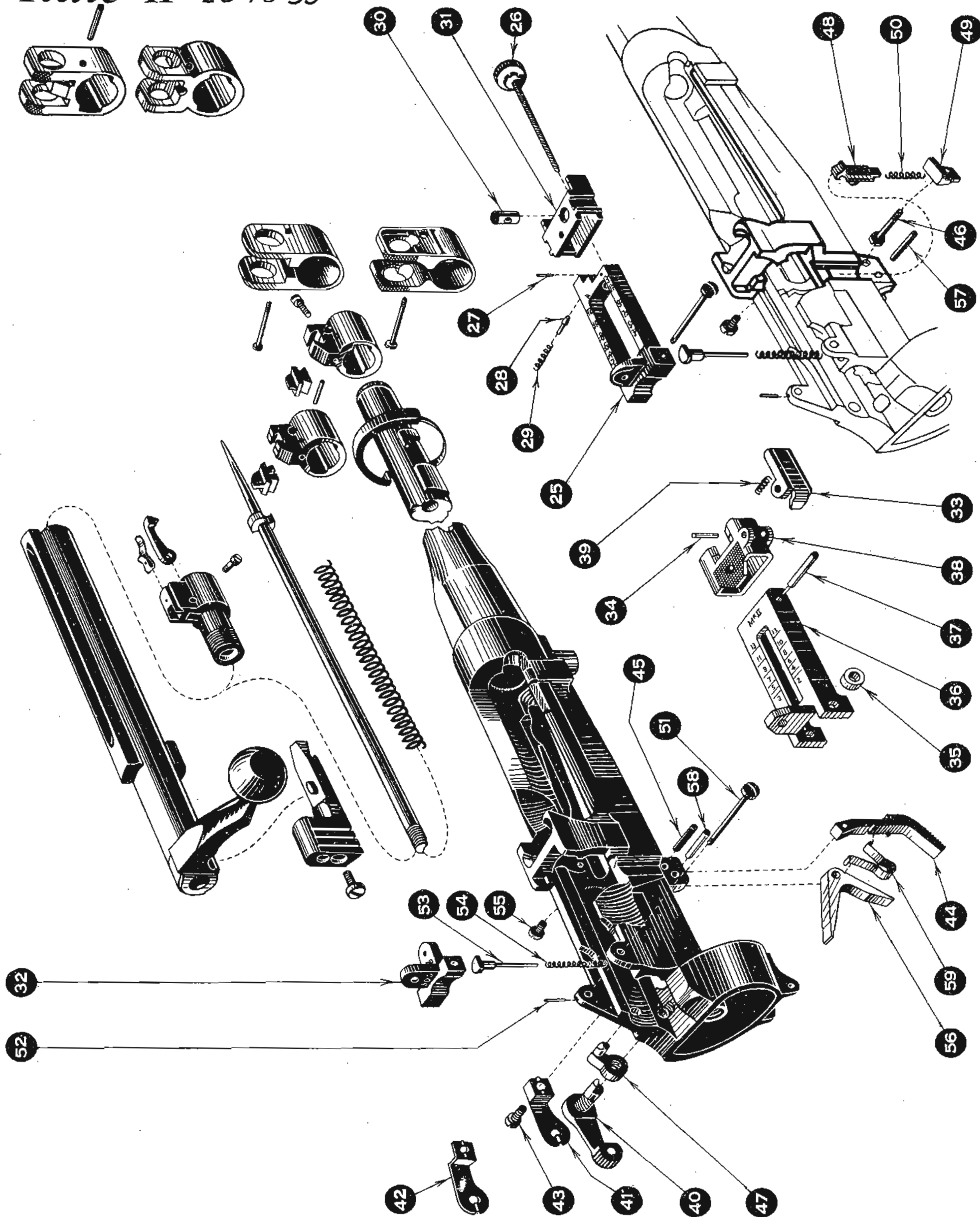


RIFLE No. 4, Mk.I and Mk.I*

REF NO.	DESIGNATION	VOCAB. NO.	MAT.	NO. OFF	DRAWING NO.	REMARKS
...	RIFLE, NO. 4, MK. I & MK. I*, .303-IN.	BB 8556		1	DD(E) 450/3	For Mk. I Rifle
...	BARREL WITH BODY, ASSEMBLY	" 8681		1	" /110	With 5-groove rifling
...	MK. I	" 8682		1	" /119	With 2-groove rifling
...	MK. II	" 8557	St.	1	" /3	Fabricated
...	MK. III	" 8683	St.	1	" /110	With 5-groove rifling
H 1	BARREL, MK. I (c)	" 8684	St.	1	" /119	With 2-groove rifling
...	BARREL, MK. II (c)		St.	1	" /6R	Fabricated
...	BARREL, MK. III (c)		St.	1		
2	BODY, MK. I.		St.	1		
...	FORESIGHT	8562	St.	1	" /4C	
3	BLADE, "O", MK. I	8033	St.	1	" /56	Used with Block, band, foresight, Mk. I. only
4	SCREW	8687	St.	1	" /97	
5	or BLADE, "O", MK. I*	8033	St.	1	" /56	Used with Block, band, foresight, Mk. I. only
6	SCREW		St.	1	" /5	
7	BLOCK, band, Mk. I.		St.	1	" /35	
8	PIN ...		St.	1	" /96	
9	or BLOCK, band, Mk. II.		St.	1	" /35	
10	PIN ...		St.	1	" /120	
11	BRACKET		St.	1	" /105	
12	PIN ...		St.	1		
...	BARREL, WITH MK. II. BODY, ASSEMBLY					
...	MK. I.	8556		1	" /3	For Mk. I* Rifle
...	MK. II.	8681		1	" /110	With 5-groove rifling
...	MK. III.	8682		1	" /119	With 2-groove rifling
...	(c)	8557	St.	1	" /3	Fabricated
13	BARREL, MK. I (c)	8683	St.	1	" /110	With 5-groove rifling
...	BARREL, MK. II (c)		St.	1	" /119	With 2-groove rifling
...	BARREL, MK. III (c)		St.	1	DD(E) 2838/1	Fabricated
14	BODY, MK. II.	8658	St.	1		
...	FORESIGHT					
15	BLADE, "O", MK. I	8562	St.	1	DD(E) 450/4C	Used with Block, band, foresight, Mk. I only
16	SCREW	8033	St.	1	" /56	
17	or BLADE, "O", MK. I*	8687	St.	1	" /97	
18	SCREW	8033	St.	1	" /56	
19	BLOCK, band, Mk. I		St.	1	" /5	Used with Block, band, foresight, Mk. I only
20	PIN ...		St.	1	" /35	
21	or BLOCK, band, Mk. II		St.	1	" /96	
22	PIN ...		St.	1	" /35	
23	BRACKET		St.	1	" /120	
24	PIN ...		St.	1	" /105	

(c) Barrels not issued separately.

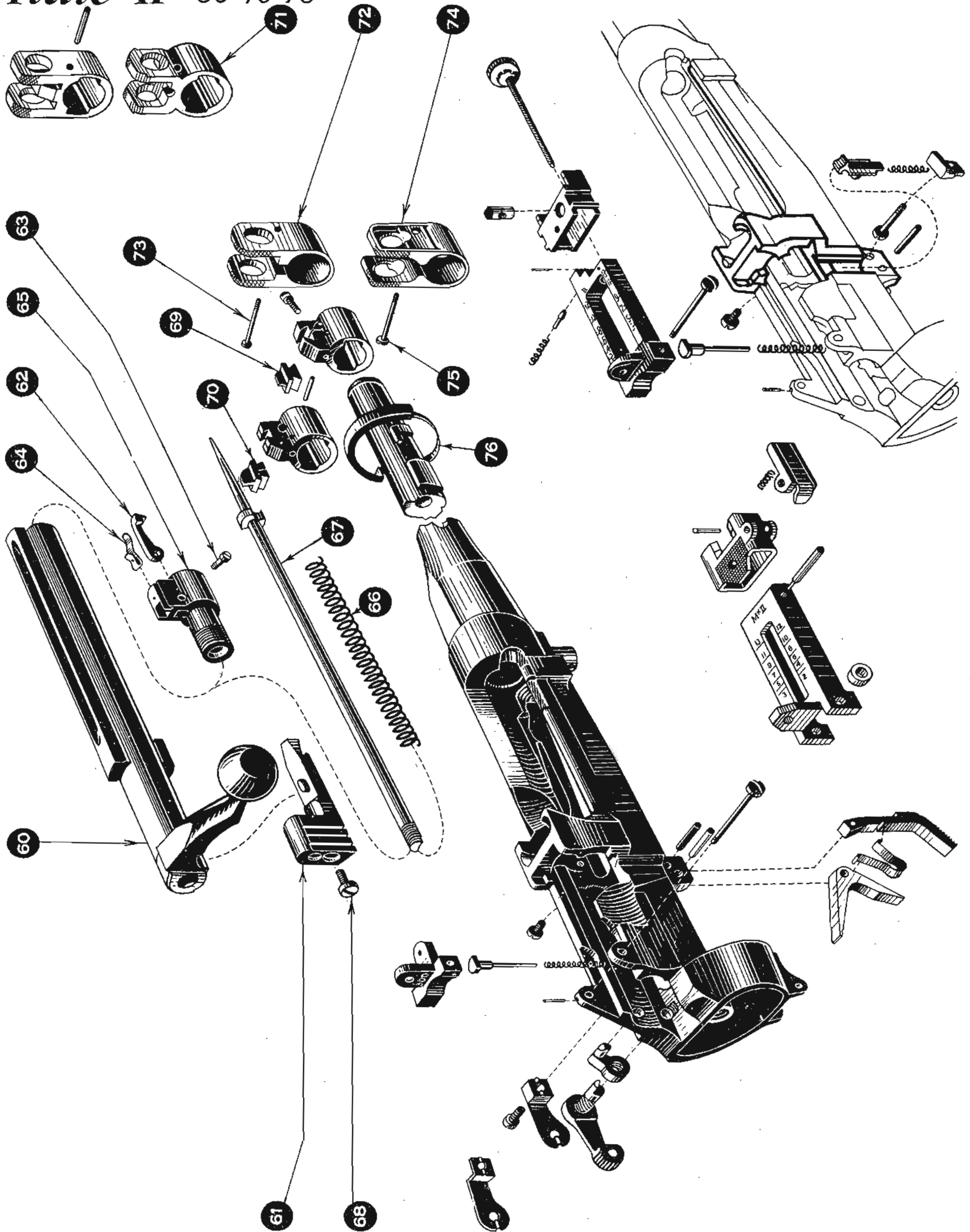
Plate H 25 to 59



RIFLE No. 4, Mk.I and Mk.I*

REF. NO.	DESIGNATION	VOCAB. NO.	MAT.	NO. OFF	DRAWING NO.	REMARKS
...	RIFLE, NO. 4, MK. I. & MK. I*, .303-IN. (contd.)					
...	BACKSIGHT, MK. I ASSEMBLY	BB 8023	St.	1	DD(E) 450/A	
H25	LEAF ...	" 8589	St.	1	" /28R	For Backsight, Mk. I.
26	SCREW, adjusting ...	" 8604	St.	1	" /55	
27	PIN, retaining ...	" 8032	St.	1	" /36	
28	PLUNGER ...	" 8599	St.	1	" /47	
29	SPRING ...	" 8626	S.S.	1	" /70	
30	NUT ...	" 8590	St.	1	" /30R	
31	SLIDE ...	" 8620	St.	1	" /67R	For Backsight, Mk. I. 300-yds. and 600-yds.
32	BACKSIGHT, MK. II.	" 8662	St.	1	" /109	
...	BACKSIGHT, MK. III ASSEMBLY	" 8673	St.	1	" /K	
33	CATCH ...	" 8674	St.	1	" /98	
34	PIN ...	" 8677	St.	1	" /101	
35	COLLAR ...	" 8675	St.	1	" /99	For Backsight, Mk. III.
36	LEAF, MK. II.	" 8676	St.	1	" /100	For Backsight, Mk. III.
37	PIN, stop ...	" 8678	St.	1	" /102	
38	SLIDE, MK. II, Assd.	" 8679	St.	1	" /103	For Backsights Mk. III with catch & spring Assd.
39	SPRING, catch ...	" 8680	S.S.	1	" /104	
40	BOLT, locking ...	" 8026	St.	1	" /8	
41	SPRING ...	" 8040	S.S.	1	" /77	Sheet 1
42	SPRING ...	" 8614	S.S.	1	" /77	Alt. Patt. Sheet 2
43	SCREW ...	" 8575	St.	1	" /64	Also for Spring, trap, butt plate
44	CATCH, magazine ...	" 8669	St.	1	" /15	
45	PIN ...	" 8606	St.	1	DD(E) 2838/3	For Mk. I* rifle. To be demanded as Pin, sear, Mk. II.
46	SCREW ...	" 8576	St.	1	DD(E) 450/49	For Mk. I rifle
47	CATCH, safety ...	" 8574	St.	1	" /16	
48	CATCH, head, breech, bolt	" 8596	St.	1	" /41A	
49	PLATE ...	" 8623	S.S.	1	" /71	For Mk. I rifle
50	SPRING ...	" 8030	St.	1	" /32A	For Mk. I rifle
51	PIN, axis, backsight ...	" 8031	St.	1	" /27	For Mk. I rifle
52	PIN, retaining ...	" 8598	St.	1	" /50R	For Mk. I rifle
53	PLUNGER, backsight ...	" 8625	S.S.	1	" /69R	
54	SPRING ...	" 8035	St.	1	" /53	
55	SCREW, ejector ...	" 8618	St.	1	" /66	
56	SEAR ...	" 8591	St.	1	" /38	For Mk. I rifle. Also for Pin, trigger
57	PIN, Mk. I.	" 8669	St.	1	DD(E) 2838/3	For Mk. I* rifle
58	PIN, Mk. II.	" 8627	St.	1	DD(E) 450/76	Rifles No. 1 - Spring, sear may also be used
59	SPRING ...					

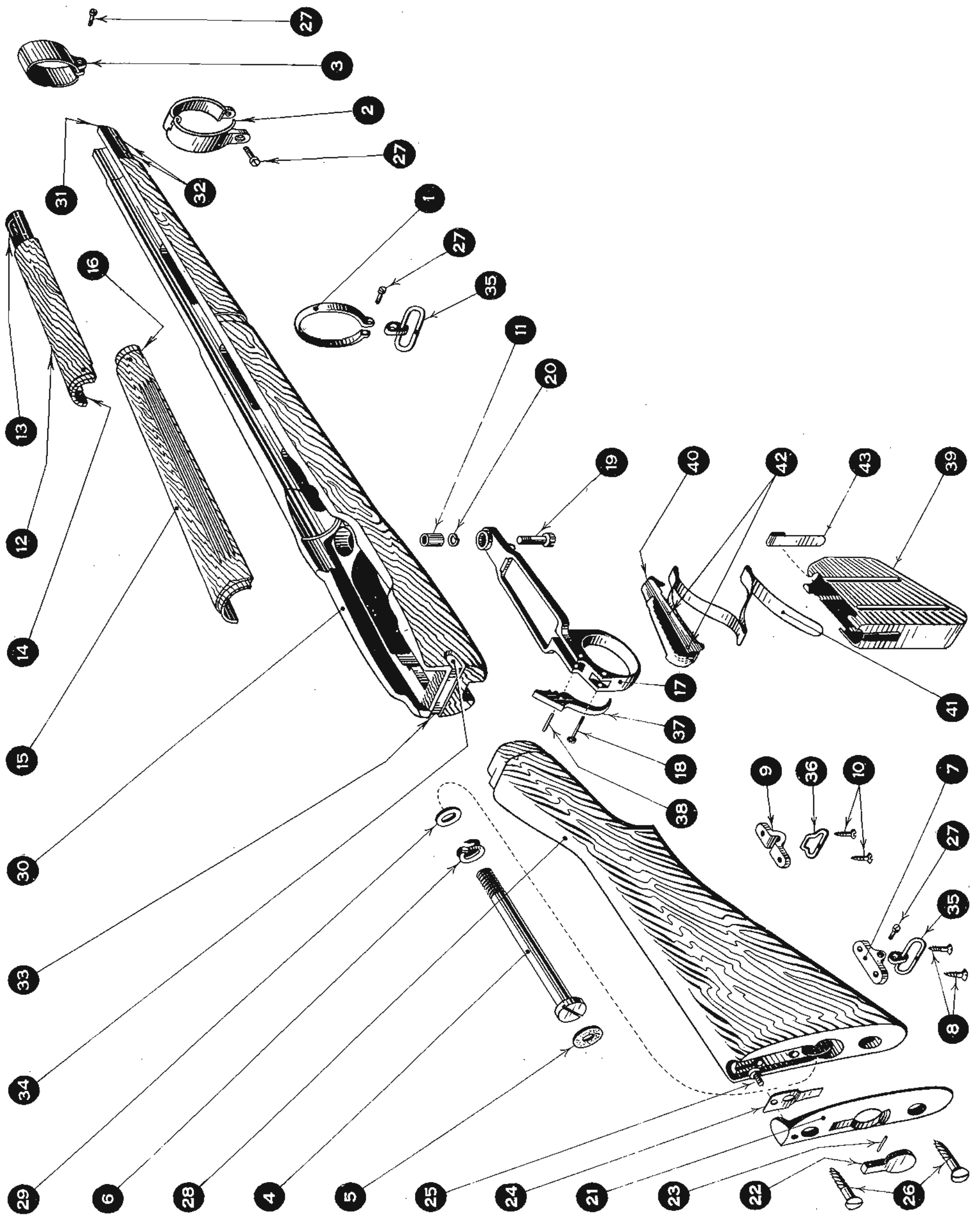
Plate H 60 to 76



RIFLE No. 4, Mk.I and Mk.I*

REF. NO.	DESIGNATION	VOCAB. NO.	MAT.	NO. OFF.	DRAWING NO.	REMARKS
...	RIFLE, NO. 4, MK. I & MK. I*, .303-IN. (contd.)					
H60	BOLT, BREACH, ASSEMBLY	BB 8566	St.	1	DD(E) 450/C	
61	BOLT	" 8650	St.	1	" " /7	
62	COCKING-PIECE, MK. II.	" 8028	St.	1	" " /22	
63	EXTRACTOR	" 8608	St.	1	" " /54	
64	SCREW	" 8041	S.S.	1	" " /72A	
65	SPRING...					(d) Number "0" to 3 increase in length by increments of 0.003-in.
66	HEAD					
...	No. "0"	" 8584	St.	1	" /26	
...	No. 1	" 8585	St.	1	" /26	
...	No. 2	" 8586	St.	1	" /26	
...	No. 3	" 8587	St.	1	" /26	
66	SPRING, main	" 8634	S.S.	1	" /74	To be demanded under Rifles No. 1 (Cat. No. BB 0754.)
67	STRIKER	" 8616	St.	1	" /79A	
68	SCREW	" 8616	St.	1	" /60B	
...	FORESIGHT					Used with Block, band, foresight, Mk. I.
69	BLADE, MK. I.					
...	- .03-in.	" 8560	St.	1	" /4C	
...	- .015-in.	" 8561	St.	1	" /4C	
...	"0"	" 8562	St.	1	" /4C	
...	+ .015-in.	" 8563	St.	1	" /4C	
...	+ .030-in.	" 8564	St.	1	" /4C	
...	+ .045-in.	" 8565	St.	1	" /4C	
...	+ .06-in.	" 8666	St.	1	" /4C	
...	+ .075-in.	" 8667	St.	1	" /4C	
70	BLADE, MK. I*					Used with Block, band, foresight, Mk. II.
...	- .03-in.	" 8685	St.	1	" /97	
...	- .015-in.	" 8686	St.	1	" /97	
...	"0"	" 8687	St.	1	" /97	
...	+ .015-in.	" 8688	St.	1	" /97	
...	+ .03-in.	" 8689	St.	1	" /97	
...	+ .045-in.	" 8690	St.	1	" /97	
...	+ .06-in.	" 8691	St.	1	" /97	
...	+ .075-in.	" 8692	St.	1	" /97	
71	PROTECTOR, MK. I	" 8600	St.	1	" /39	Sheet 1
72	PROTECTOR, MK. I	" 8036	St.	1	" /39	Alt. Patt. Sheet 2
73	SCREW, MK. I	" 8693	St.	1	" /62A	
74	PROTECTOR, MK. II	" 8610	St.	1	" /95	
75	SCREW, MK. II	" 8602	St.	1	" /58	Also for screw, guard, trigger, back
76	RING, retaining, rear, handguard	" 8602	St.	1	" /45	

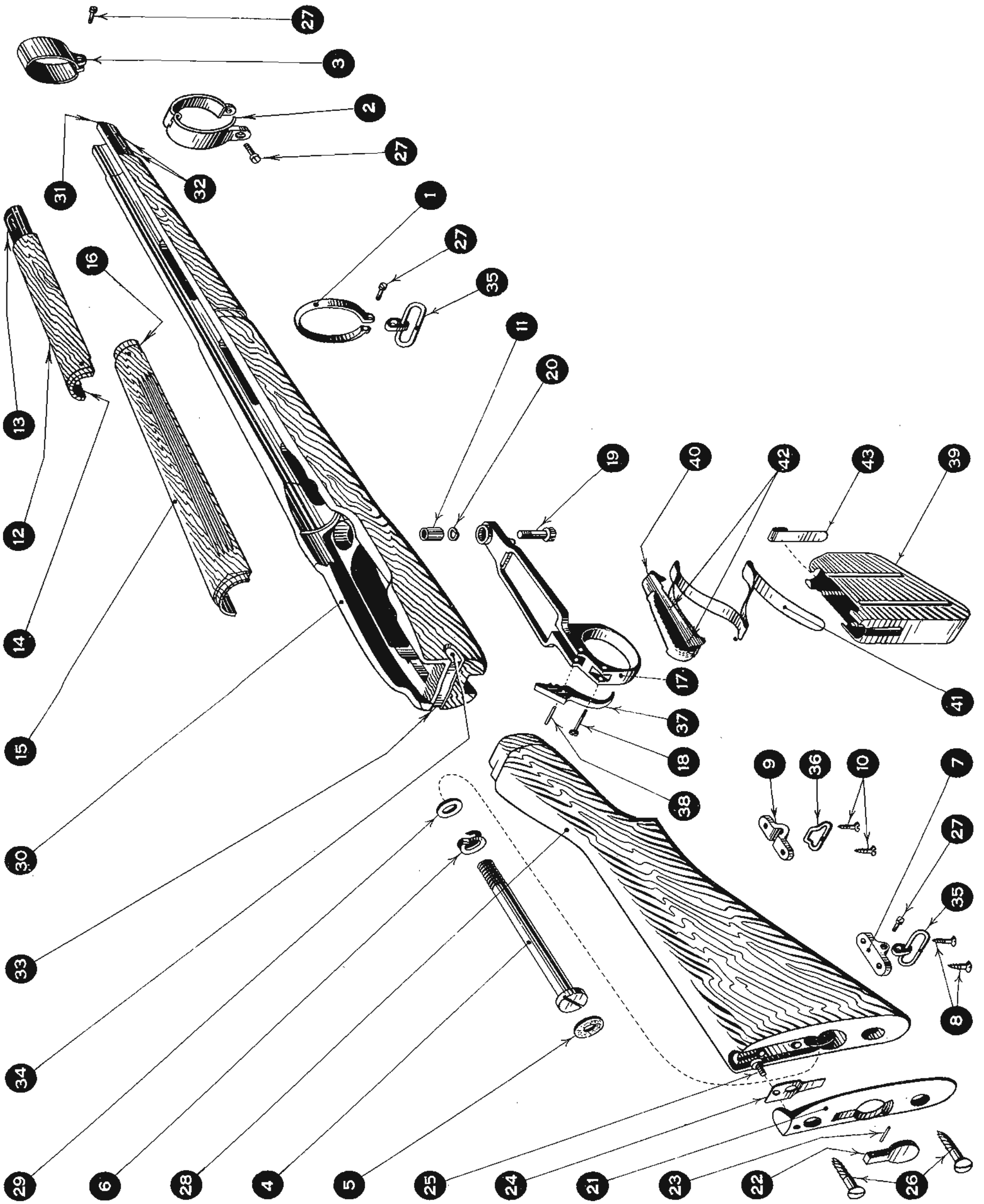
Plate J



RIFLE No. 4, Mk.I and Mk.I*

REF. NO.	DESIGNATION	VOCAB. NO.	MAT.	NO. OFF	DRAWING NO.	REMARKS
...	RIFLE, NO. 4, MK. I & MK. I*, .303-IN. (contd.)					
J 1	BAND, lower...	BB 8554	St.	1	DD (E) 450/2	Hinged type
2	BAND, upper...	" 8555	St.	1	" " /91A	Solid type. Sheet 2 & 3 alt.
3	BAND, upper...	" 8555	St.	1	" " /91A	
4	BOLT, stock...	" 8567	St.	1	" " /9	
5	WAD ...	"	L.	1	" " /86	To be demanded under Rifles No.1 (Cat.No. 0777)
6	WASHER, spring	" 8641	S.S.	1	" " /90	
7	BRACKET, Mk.I.	"	St.	1	" " /10	For Butt swivel to be demanded under Rifles No.1 (Cat.No. BB 0664) used with Swivel, sling, Mk.I.
8	SCREW ...	" 8605	St.	2	" " /48	For Butt swivel used with Swivel, sling, Mk.II.
9	BRACKET, Mk.II.	" 8672	St.	1	" " /93	
10	SCREW ...	" 8605	St.	2	" " /48	
11	COLLAR ...	" 8579	St.	1	" " /19	For Trigger guard screw
12	GUARD, hand, front, Assd.	" 8580	St.	1	" " /D	
13	CAP ...	"	St.	1	" " /12B	
14	LINER ...	"	St.	1	" " /29	
15	GUARD, hand, rear, Assd.	" 8581	St.	1	" " /E	Also for Protector, foresight, Mk.II.
16	LINER ...	"	St.	1	" " /29	
17	GUARD, trigger	" 8582	St.	1	" " /25	
18	SCREW, back	" 8610	St.	1	" " /58	
19	SCREW, front	" 8611	St.	1	" " /59	
20	WASHER...	" 8640	St.	1	" " /89	
...	PLATE, BUTT, ASSEMBLED	" 8595	Br.	1	" " /G	Also for Rifles Nos.1 and 2
21	PLATE ...	"	Br.	1	" " /40A	
22	TRAP ...	" 8636	Br.	1	" " /84	To be demanded under Rifles No.1 (Cat.No. BB 0762)
23	PIN ...	" 8592	St.	1	" " /34	To be demanded as Screws, spring, bolt, locking, BB 8614
24	SPRING...	"	St.	1	" " /78	
25	SCREW	"	St.	1	" " /64	Two only required if bracket, Mk.II and Swivel, sling, Mk.II are used. For Sling, swivel and bands upper, also for Rifles, Nos.1,2 & 3.
26	SCREW, plate, butt	" 8613	St.	2	" " /61	
27	SCREW, swivel	" 8037	St.	3	" " /65	

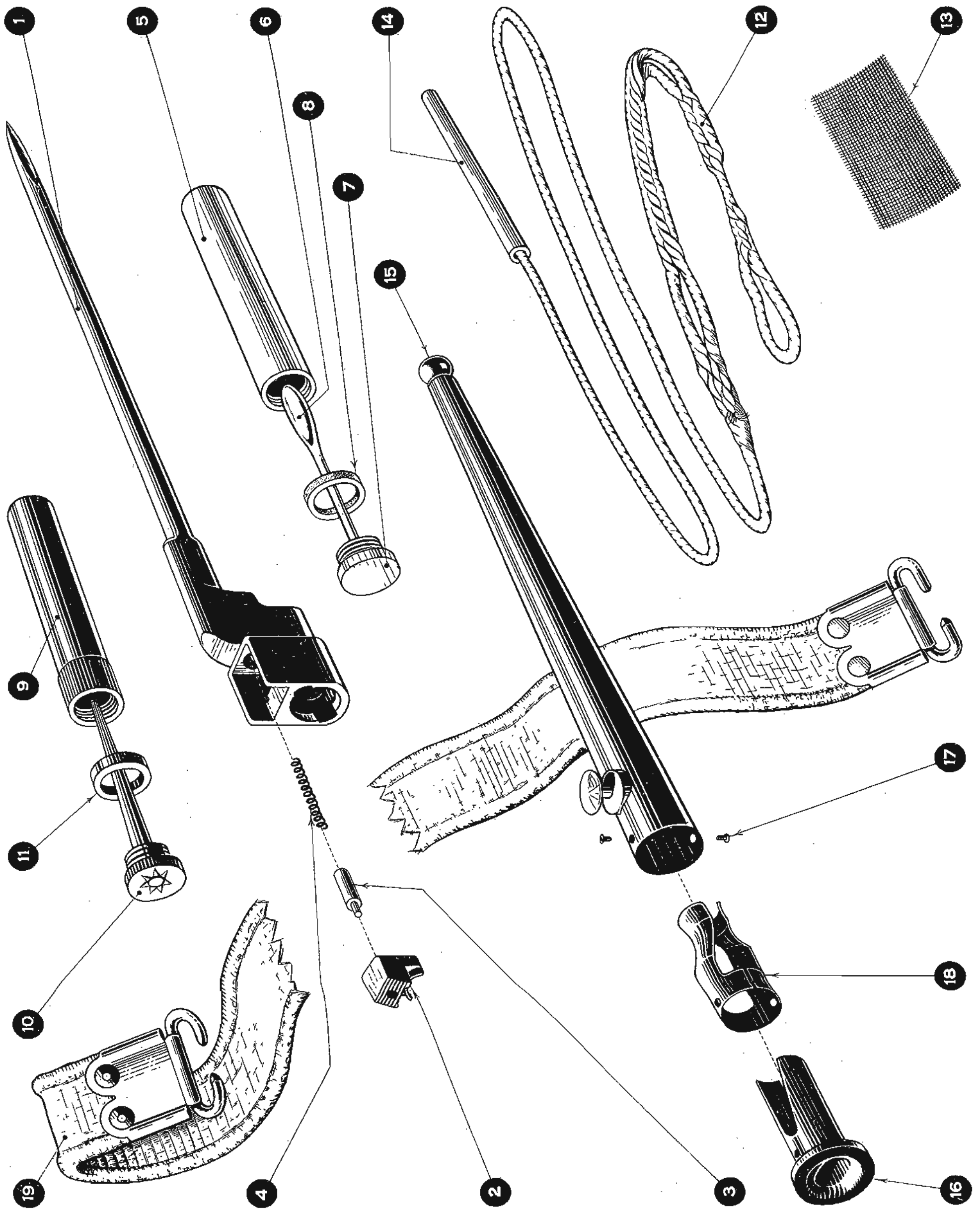
Plate J



RIFLE No. 4, Mk.I and Mk.I*

REF. NO.	DESIGNATION	VOCAB. NO.	MAT.	NO. OFF	DRAWING NO.	REMARKS
J28	RIFLE NO.4, MK.I & MK.I*, .303- in. (contd.)					
...	STOCK, butt					
...	LONG ...	BB 8629		1	DD (E) 450/80	With stock bolt washer
...	NORMAL ...	" 8630		1	" " /80	
...	SHORT ...	" 8631		1	" " /80	
29	WASHER, bolt, stock	" 8632	St.	1	" " /87	To be demanded under Rifles, No.1 (Cat.No.BB 0778
30	STOCK, fore-end, Assd.	" 8573	St.	1	" " /H	
31	CAP ...	" 8594	St.	1	" " /13C	
32	PIN ...	" 8594	St.	2	" " /31A	
33	TIE-PLATE ...		St.	1	" " /42	
34	RIVET ...		Br.	1	" " /37A	
35	SWIVEL, sling, Mk.I ...	" 8043	St.	2	" " /82A	One only required if Swivel, sling, Mk.II is used
36	SWIVEL, sling, Mk.II ...	" 8671	St.	1	" " /94	Not required if Bracket Mk.I is used
37	TRIGGER ...	" 8638	St.	1	" " /85	
38	PIN ...		St.	1	" " /38	To be demanded as Pins, sear (Cat.No. 8591)
...	RIFLE, NO.4 ...	" 8029		1	" " /F	
...	MAGAZINE, ASSD.	" 8572	St.	1	" " /14A	
39	CASE ...	" 8597	St.	1	" " /43	
...	PLATFORM, ASSD.		St.	1	" " /75	With spring Assd.
40	PLATFORM ...		St.	1	" " /46	
41	SPRING ...		St.	1	" " /46	
42	RIVET ...		S.S.	2	" " /68	
43	SPRING, auxiliary ...	" 8622	S.S.	1	" " /68	

Plate K



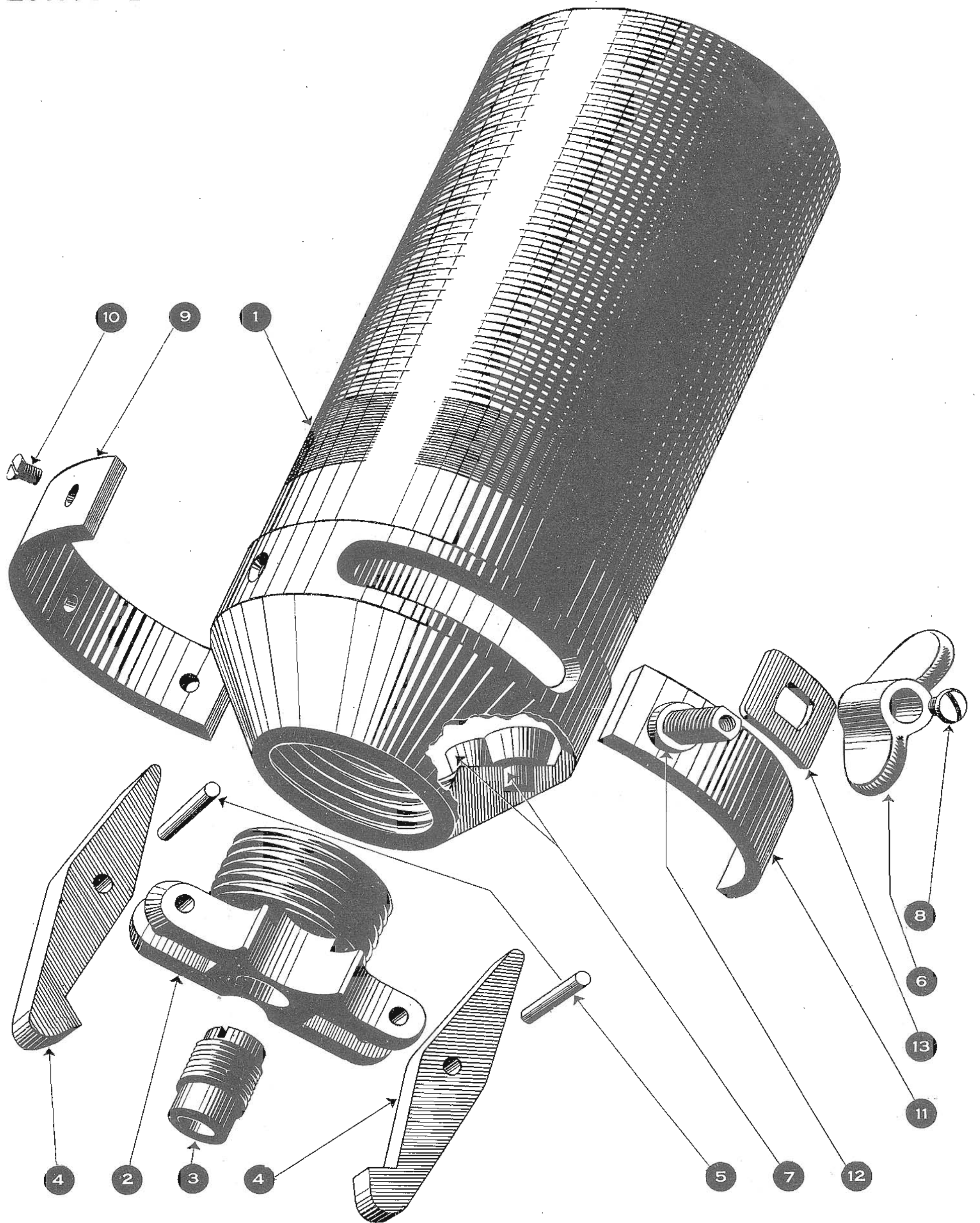
RIFLE No. 4, Mk.I and Mk.I*

REF. NO.	DESIGNATION	VOCAB. NO.	MAT.	NO. OFF.	DRAWING NO.	REMARKS
...	BAYONET, NO. 4, MKS. II AND II*	BA 6260		1	DD(E)2605	Alt. to Mk. II*
K 1	BLADE	BA 6261	St.	1	DD(E)2679	Alt. to Mk. II
2	CAUCH	BB 6265	St.	1	" " /1	
3	PLUNGER	" 6252	St.	1	DD(E)340B/2	
4	SPRING	" 6253	St.	1	" " /3	
...	BOTTLE, OIL, MK. IV	" 6254	S.S.	1	" " /4	
5	BODY	BA 0053	Br.	1	ADD(S)360	
6	SPOON	BB 0054	St.	1	" 357	
7	STOPPER	" 0055	Br.	1	" 358	
8	WASHER	" 0056	L.	1	" 359	
...	or BOTTLE, OIL, MK. V	BA 6320	P.M.	1	DD(E)2562	
9	BODY	" 6321	P.M.	1	" " /1	
10	STOPPER, with rod	" 6326	L.	1	" " /4	
11	WASHER	" 6326	L.	1	" " /3	
...	PULL-THROUGH, SINGLE, MK. IV	" 0517		1	SAID 257E	
...	"A"	" 0518		1	" " /1	With wire gauze
...	"B"	BB 0520	Cord.	1	" " /2	Without wire gauze
12	CORD, single	" 0521	St.	1	" " /3	
13	GAUZE	" 0522	Br.	1	" " /4	
14	WEIGHT	BA 8354		1	DD(E)463B	
...	SCABBARD, BAYONET, NO. 4	BB 8321	St.	1	" " /A	
15	BODY	" 8322	St.	1	" " /2	
16	MOUTHPIECE	" 8323	St.	2	" " /3	
17	SCREW	" 8324	St.	1	" " /4	
18	SPRING	AA 1657	Cvs.	1		
19	SLING, rifle, web			1		

ADD 43
IL 95

**DISCHARGER,
GRENADE, RIFLE,
No. 1, Mk.I, 2½-in.**

Plate L



DISCHARGER, GRENADE, RIFLE, No. 1, Mk.I, 2¹/₂-in.

REF. NO.	DESIGNATION	VOCAB. NUMBER	MAT.	NO. OFF	DRAWING NUMBER
. . .	DISCHARGER, GRENADE, RIFLE, NO.1, MK.I, 2-1/2"	BA.0100 GA			A. I. D. 1434/C
L 1	BARREL		M. S.	1	" "
2	BASE		M. S.	1	" "
3	SCREW, adjusting		M. S.	1	" "
4	LEVER		M. S.	2	" "
5	PIN		St.	2	" "
6	NUT, wing, B.S.W., 3/16"	G1/GAA.5852	M. S.	1	" "
7	PEG, steel		M. S.	2	" "
8	SCREW, keep		M. S.	1	" "
9	SEGMENT, fixed		M. S.	1	" "
10	SCREW, fixing (or) Rivet		M. S.	3	" "
11	SEGMENT, moving		M. S.	1	" "
12	STUD, screwed		M. S.	1	" "
13	WASHER		S. S.	1	" "

Numerical Index:

CATALOGUE NO.	PAGE	CATALOGUE NO.	PAGE	CATALOGUE NO.	PAGE
AA 1657	13,23,32	BAA 3638	22	BB 0716	9
		BAA 3639	22	BB 0717	9
BA 0022	13	BAA 3640	22	BB 0718	12
BA 0030	23	BAA 3641	22	BB 0719	12
BA 0053	13,23,32	BAA 3642	22	BB 0721	11
BA 0066	21	BAA 3643	22	BB 0722	12
BA 0100	35	BAA 3644	22	BB 0723	11
BA 0517	32	BAA 3645 A	22	BB 0725	12,20
BA 0518	32	BAA 3646	22	BB 0727	11
BA 0806	17	BAA 3647	22	BB 0728	11
BA 1211	13,23			BB 0729	11
BA 6320	13,23	BB 0024	13	BB 0730	9
BA 6321	32	BB 0025	13	BB 0731	20
BA 6326	32	BB 0031	23	BB 0733	10
BA 8354	32	BB 0032	23	BB 0734	10
		BB 0033	13,23	BB 0735	11
BAA 3401	9	BB 0034	13,23	BB 0736	11
BAA 3403	9	BB 0035	13,23	BB 0737	12
BAA 3405	9	BB 0036	13,23	BB 0738	12
BAA 3407	9	BB 0054	13,23,32	BB 0739	10
BAA 3408	9	BB 0055	13,23,32	BB 0740	10
BAA 3409	11	BB 0056	13,23,32	BB 0741	9
BAA 3410	12	BB 0520	13,23,32	BB 0742	12
BAA 3411	11	BB 0521	13,23,32	BB 0743	10
BAA 3412	11	BB 0522	13,23,32	BB 0744	11,12,19,20
BAA 3414	11	BB 0652	11	BB 0746	10
BAA 3600 GA	21	BB 0654	9	BB 0747	9
BAA 3601	21	BB 0655	9	BB 0749	11
BAA 3602	21	BB 0656	9	BB 0750	10
BAA 3603	21	BB 0657	9	BB 0751	9
BAA 3604	21	BB 0658	9	BB 0752	10
BAA 3606	21	BB 0659	9	BB 0753	11
BAA 3607	21	BB 0660	9	BB 0754	10
BAA 3608 A	21	BB 0661	10	BB 0756	10
BAA 3609	21	BB 0662	10	BB 0757	9
BAA 3610	21	BB 0663	12	BB 0759	10
BAA 3611	21	BB 0664	12,20	BB 0760	9
BAA 3612	21	BB 0665	9	BB 0761	12
BAA 3613	21	BB 0666	11	BB 0762	12
BAA 3614	21	BB 0667	11	BB 0768	12
BAA 3615	21	BB 0669	11	BB 0769	10
BAA 3616	21	BB 0670	10	BB 0771	12
BAA 3617	21	BB 0671	10	BB 0772	19
BAA 3618	21	BB 0672	9	BB 0773	11,19
BAA 3619 A	21	BB 0675	10	BB 0774	11,12,19,20
BAA 3620	21	BB 0676	11	BB 0775	12
BAA 3621	21	BB 0679	20	BB 0776	12
BAA 3622	21,22	BB 0680	10	BB 0777	12
BAA 3623	21	BB 0685	11	BB 0778	12
BAA 3624	21	BB 0686	11	BB 0779	11
BAA 3625	21	BB 0687	11	BB 0780	12
BAA 3626	22	BB 0690	10	BB 0781	9
BAA 3627	22	BB 0696	9	BB 0784	10
BAA 3629	22	BB 0698	11	BB 0786	9
BAA 3630	22	BB 0700	11	BB 0809	19
BAA 3631	22	BB 0701	12	BB 0810	17
BAA 3634	22	BB 0706	9	BB 0811	17
BAA 3635	22	BB 0707	10	BB 0812	17
BAA 3636	22	BB 0713	10	BB 0813	17
BAA 3637	22	BB 0714	12	BB 0814	17,20
		BB 0715	12	BB 0815	17
				BB 0816	17

Numerical Index (cont.)

CATALOGUE NO.	PAGE	CATALOGUE NO.	PAGE	CATALOGUE NO.	PAGE
BB 0817	17	BB 1212	13,23	BB 8597	31
BB 0818	17	BB 1213	13,23	BB 8598	28
BB 0822	18	BB 1214	13,23	BB 8599	28
BB 0823	18	BB 1216	13,23	BB 8600	29
BB 0825	19	BB 6145	9	BB 8602	29
BB 0826	19	BB 6252	32	BB 8604	28
BB 0827	19	BB 6253	32	BB 8605	30
BB 0828	19	BB 6254	32	BB 8606	28
BB 0829	17	BB 6260	32	BB 8608	29
BB 0830	18,20	BB 6265	32	BB 8610	29,30
BB 0831	20	BB 6231	13	BB 8612	30
BB 0832	20	BB 6236	13	BB 8613	30
BB 0833	18	BB 8023	28	BB 8614	28
BB 0834	18	BB 8026	28	BB 8616	29
BB 0836	19	BB 8028	29	BB 8618	28
BB 0837	19	BB 8029	31	BB 8620	28
BB 0838	19	BB 8030	28	BB 8622	31
BB 0839	17	BB 8031	28	BB 8623	28
BB 0840	17	BB 8032	28	BB 8625	28
BB 0841	20	BB 8033	27	BB 8626	28
BB 0846	19	BB 8035	28	BB 8627	28
BB 0847	17	BB 8036	29	BB 8629	31
BB 0848	17	BB 8037	30	BB 8630	31
BB 0849	18	BB 8040	28	BB 8631	31
BB 0851	20	BB 8041	29	BB 8632	31
BB 0852	18	BB 8043	31	BB 8634	29
BB 0860	18	BB 8321	32	BB 8636	30
BB 0861	20	BB 8322	32	BB 8638	31
BB 0862	19	BB 8323	32	BB 8640	30
BB 0867	19	BB 8324	32	BB 8650	29
BB 0872	18	BB 8353	13	BB 8658	27
BB 0873	18	BB 8353 B	23	BB 8662	28
BB 0874	18	BB 8554	30	BB 8666	29
BB 0875	17	BB 8555	30	BB 8667	29
BB 0876	18	BB 8556	27	BB 8669	28
BB 0877	19	BB 8557	27	BB 8671	31
BB 0878	17	BB 8560	29	BB 8672	30
BB 0879	19	BB 8561	29	BB 8673	28
BB 0880	19	BB 8562	27,29	BB 8675	28
BB 0881	18	BB 8563	29	BB 8676	28
BB 0882	20	BB 8564	29	BB 8679	28
BB 0883	17	BB 8565	29	BB 8681	27
BB 0884	20	BB 8566	29	BB 8682	27
BB 0885	17	BB 8567	30	BB 8683	27
BB 0886	20	BB 8572	31	BB 8684	27
BB 0887	18	BB 8574	28	BB 8685	29
BB 0888	18	BB 8575	28	BB 8686	29
BB 0889	17	BB 8576	28	BB 8687	27,29
BB 0890	18	BB 8579	30	BB 8688	29
BB 0891	19	BB 8580	30	BB 8689	29
BB 0892	17	BB 8581	30	BB 8690	29
BB 0893	18	BB 8582	30	BB 8691	29
BB 0894	19	BB 8584	29	BB 8692	29
BB 0895	18	BB 8585	29	BB 8693	29
BB 0896	17	BB 8586	29		
BB 0897	18	BB 8587	29		
BB 0898	20	BB 8589	28	VFA 3600	22
BB 0909	20	BB 8590	28	VFA 3601	22
BB 0910	18	BB 8591	28		
BB 0911	18	BB 8592	30		
BB 0912	20	BB 8595	30		
BB 0913	18	BB 8596	28		