

CURTISS

RESTRICTED

FOR OFFICIAL USE ONLY

AN 01-25C-4

PARTS CATALOG

FOR

ARMY MODELS
P-40M and P-40N

BRITISH MODELS
KITTYHAWK III and IV

AIRPLANES

This publication replaces T. O. No. 01-25C-4 dated
20 July 1944.

*Published by authority of the Commanding General, Army Air Forces,
and accepted by the Air Council of the United Kingdom.*

*NOTICE: This document contains information affecting the national defense
of the United States within the meaning of the Espionage Act, 50 U. S. C.,
31 and 32, as amended. Its transmission or the revelation of its con-
tents in any manner to an unauthorized person is prohibited by law.*

RESTRICTED

POLICY GOVERNING DISTRIBUTION AND USE OF THIS PUBLICATION

Instructions Applicable to Army Personnel:

1. This publication is intended for technical aid and education of military and civilian personnel engaged in promoting the war effort. Its maximum distribution and use is therefore encouraged. However, since the publication is "restricted" within the meaning of AR 380-5, the following security regulations will be observed:

a. *Members of Armed Forces and civilian employees of War Department* will be given access to this publication whenever required to assist in the performance of their official duties (including expansion of their knowledge of AAF equipment, procedures, etc.).

b. *Personnel of War Department contractors and subcontractors* may be given possession of this publication, on a loan basis, or knowledge of its contents, only when required to assist in the performance of War Department contracts. Releases will be made in accordance with the requirements of T. O. No. 00-5-2.

c. *Representatives of other governments* will be given possession of this publication, or knowledge of its contents, only in accordance with AAF Letter No. 45-6.

2. This publication is restricted because the information contained in it is restricted. It does not follow that the physical article to which it relates is also restricted. Classification of the materiel or component must be ascertained independently of the classification of this document.

3. Neither this publication nor information contained herein will be communicated to press or public except through Public Relations channels.

Instructions Applicable to Navy Personnel:

Navy Regulations, Article 76, contains the following statements relating to the handling of restricted matter:

"Par. (9) (a). Restricted matter may be disclosed to persons of the Military or Naval Establishments in accordance with special instructions issued by the originator or other competent authority, or in the absence of special instructions, as determined by the local administrative head charged with custody of the subject matter."

"(b) Restricted matter may be disclosed to persons of discretion in the Government service when it appears to be in the public interest."

"(c) Restricted matter may be disclosed, under special circumstances, to persons not in the Government service when it appears to be in the public interest."

The Bureau of Aeronautics Aviation Circular Letter No. 90-44 contains the following paragraph relative to the use of aeronautical technical publications:

"Par. 8. *Distribution to All Interested Personnel.* In connection with the distribution of aeronautical publications within any activity, it should be borne in mind by the offices responsible for such distribution that technical publications, whether confidential or restricted, are issued for use not only by officer personnel, but also by responsible civilian and enlisted personnel working with or servicing equipment to which the information applies."

Disclosure of technical information in this publication may be made to representatives of foreign governments in instances where those foreign governments have been cleared to receive information concerning all equipment covered by this publication.

Instructions Applicable to British Personnel:

FOR OFFICIAL USE ONLY.—Not to be communicated to anyone outside of His Majesty's Service. Not to be published. The information given in this document is not to be communicated, either directly or indirectly, to the press or to any person not holding an official position in His Majesty's Service.

LIST OF REVISED PAGES ISSUED

NOTE: A heavy black vertical line, to the left of the text on revised pages, indicates the extent of the revision. This line is omitted where more than 50 percent of the page is revised.

ADDITIONAL COPIES OF THIS PUBLICATION MAY BE OBTAINED AS FOLLOWS:

AAF ACTIVITIES.—In accordance with T. O. No. 00-5-2, base Air Inspectors, Technical will submit requisitions (AAF Form 104B) to:

Commanding General
Fairfield Air Technical Service Command
Patterson Field
Fairfield, Ohio
Attn: Publications Distribution Branch

NAVY ACTIVITIES.—Submit requests to Chief, BuAer, Navy Department, Washington, D. C., Attention: Publications Branch on order form NAVAER-140. For complete listing of available material and details of distribution see Naval Aeronautic Publications Index, NavAer 00-500.

BRITISH ACTIVITIES.—Submit requirements on Form 294A, in duplicate, to the Air Publications and Forms Store, New College, Leadhall Lane, Harrogate, Yorkshire, England.

RESTRICTED
T. O. No. 01-25C-4

TABLE OF CONTENTS

SECTION	TITLE	PAGE NUMBER
I	INTRODUCTION	1
II	GROUP ASSEMBLY PARTS LIST	3
	WING GROUP	7
	Wing Erection	7
	Attachment Wing to Fuselage	9
	Wing Panel - Upper View	11
	Wing Panel - Lower View	13
	Starter Pedal and Stick Box	15
	Gun Mount Fittings	17
	Retracting Strut Supports and Heater Tubes	21
	Aileron	25
	Aileron - Left Hand	25
	Aileron Controls	27
	Flap Installation	29
	Flap Actuating Cylinder	31
	Flap Position Indicator	33
	Wing Fillets	37
	Keel Fairing	37
	Landing Gear Fairing	39
	EMPENNAGE GROUP	43
	Tail Erection	43
	Fin	45
	Rudder	45
	Rudder Torque Tube and Trim Tab Tube	47
	Stabilizer	49
	Elevator	49
	Elevator Bearing Assembly	51
	FUSELAGE GROUP	55
	Fuselage and Access Doors	55
	Door Assembly	57
	Tail Wheel Door	59
	Windshield Assembly	61
	Windshield Assembly	63
	Cabin Assembly	65
	Cabin Controls	69
	Cabin Controls	71
	Cabin Release Mechanism	73
	Rear Vision	75
	Rear Vision	77
	Firewall & Attachments	79
	Firewall & Attachments	81
	Fuselage Bulkheads 1A, 2, 3, & 4	83
	Fuselage Bulkheads 6, 7, & 8	89
	Fuselage Bulkheads 6, 7, & 8	89
	Fuselage Bulkheads 9, 10, & 11	91
	Fuselage Bulkheads 12, 13, & 14	91
	Fuselage Bulkheads 15, 16, 17, & 18	93

RESTRICTED
T. O. No. 01-25C-4

TABLE OF CONTENTS

SECTION	TITLE	PAGE NUMBER
II	ALIGNING GEAR GROUP	99
	Landing Gear Installation	99
	Landing Gear Installation	101
	Landing Gear Retracting Strut	103
	Landing Gear Oleo Strut - Upper	103
	Landing Gear Oleo Strut - Lower	107
	Landing Gear Oleo Strut - Lower	109
	Landing Gear Oleo Strut - Cylinder Assembly	109
	Landing Gear Visual Position Indicator	111
	Tail Wheel Installation	115
	Tail Wheel Spindle	115
	Tail Wheel Retracting Strut	115
	Tail Wheel Oleo Strut	119
	Brake Installation	121
	Brake Control Unit	123
	POWER PLANT GROUP	125
	Engine Cowling	125
	Top Cowling	127
	Side Cowling & Air Filter	129
	Bottom Cowling - Forward	131
	Rear Cowling & Cowl Flaps	133
	Exit Duct Assembly	135
	Engine Bulkhead & Cooling Tube Installation	137
	Engine Installation	141
	Engine Mount Installation	143
	Cowl Flap Controls	145
	Cowl Flap Controls	147
	Engine Controls	149
	Engine Controls	151
	Carburetor Air Heat Controls	153
	Carburetor Air Heat Controls	155
	Breather & Vent System	157
	Breather & Vent System	159
	Coolant System	161
	Coolant System	165
	Coolant System	167
	Coolant Expansion Tank	169
	Fuel System	171
	Fuel System	173
	Fuel System	175
	Fuselage Fuel Tank	177
	Wing Fuel Tank	179
	Oil System	179
	Oil Tank Assembly	183
	Oil System	185
	Oil Tank Assembly	187

RESTRICTED
T.O. No. 01-25C-4

TABLE OF CONTENTS

SECTION	TITLE	PAGE NUMBER
II	FIXED EQUIPMENT GROUP	191
	Elevator Controls	191
	Rudder Controls	193
	Rudder Pedal	195
	Rudder Controls - Component Parts	197
	Control Stick Assembly	197
	Rod and Jackshaft Assembly	199
	Trim Tab Control	201
	Hydraulic System - Fittings	205
	Hydraulic System - Equipment	205
	Control Valve Assembly - Landing Gear & Flaps	207
	Hydraulic Relief and Check Valves	209
	Hydraulic Hand Pump	209
	Ammunition Boxes and Chutes	213
	Guns and Gun Fairings	215
	Gun Mounts	217
	Gun Sight	219
	Gun Camera Mount	223
	Wing Bomb Installation - Left Hand Panel	223
	Wing Bomb Installation - Right Hand Panel	225
	Bomb Control and Door Assembly	227
	Wing Bomb Installation	229
	Auxiliary Wing Fuel Tank Installation	235
	Bomb and Belly Tank Controls	237
	Bomb and Belly Tank Support	239
	Bomb and Belly Tank Support	241
	Oxygen System	243
	Oxygen System	243
	Oxygen System	245
	Oxygen System	247
	Heat and Vent System	251
	Wing Electrical Installation	253
	Electrical Installation	255
	Electrical Installation	257
	Firewall Terminal Box	259
	Firewall Junction Box	261
	Battery Junction and Propeller Relay Boxes	263
	Main Switch Box	265
	Battery Installation	267
	Battery Installation	269
	Instrument Installation	269
	Instrument Installation	271
	Radio Support Installation	271
	Pilot's Armor Plate	275
	Pilot's Seat	277
	Pilot's Seat	279
	Pitot Tube	281
	Pyrotechnical Installation	281
III	NUMERICAL PARTS LIST	283
IV	STANDARD PARTS LIST	303
V	SERVICE TOOLS AND LOOSE EQUIPMENT	311

1. This Technical Order is the Illustrated Parts Catalog for the Army models P-40M and P-40N airplanes, and the British models, Kittyhawk III and IV. This Catalog contains an Illustrated Group Assembly Parts List, a Numerical Parts List, a Standard Parts List, and an Illustrated Service Tool List.

2. The Group Assembly Parts List is arranged according to assembly procedure wherein a system of indentation is used to show assembly relationship of all parts. Any item listed in a given column is a part of and assembles on the item preceding it in the column to the left. L.H. or R.H. following the part name identifies the side of the preceding assembly to which the part attaches. The attaching parts of an item are listed following the details. Index numbers are used in keying the parts lists with the Illustrations.

EXAMPLE

On page 69, under Installation Cabin Controls, the following listing appears:

1.	87-25-570-1L	Rear Pulley Bracket Assembly	1
2.	87-25-570-1R	Rear Pulley Bracket Assembly	1
3.	87-25-581L	Bracket - L.H.	1
	87-25-581R	Bracket - R.H.	1

The L or R following the part number 87-25-570-1 designates that the part is either a right or left unit. The L.H. following the part name "Bracket" designates that the Bracket is a part of the left Rear Pulley Bracket Assembly only, and in no way distinguishes the part as a left hand unit.

The R.H. following the part name "Bracket", similarly designates that the Bracket is part of the right Rear Pulley Bracket Assembly only.

Leaders with more than one index number appear occasionally on the Illustrations. These series of index numbers occur when it is impractical to explode attaching parts such as a Bolt, Washer, Spacer, Nut, Cotter Pin, etc. In some cases when pointing to an assembly, the component parts are identified by added index numbers attached to the same leader.

3. The Numerical Parts List itemizes numerically all the parts of the Group Assembly Parts List, giving the total quantity of each part required for each plane and their page numbers in the Group Assembly Parts List. The order of precedence in the numerical parts arrangement is as follows:

- (1) Space (Blank Column)
- (2) Dash (-)
- (3) Letters A through Z
- (4) Zero (0)
- (5) Numerals 1 - 9

RESTRICTED
T. O. No. 01-25C-4

As part numbers do not start with spaces or dashes, the order of precedence for the first character is as follows:

- (1) Letters A through Z
- (2) Zero (0)
- (3) Numerals 1 - 9

EXAMPLE

AN931-4-16
A2460
A32
B7
RLK
W-0-6LGSB
WL1
O-45

4. The Standard Parts List contains a list of Army-Navy standard parts, Army standard parts and manufacturer's standard parts.
5. The Illustrated Service Tool List identifies tools, slings, covers, etc.
6. The explanation of symbols as used throughout the Group Assembly Parts List to differentiate between the P-40M and P-40N models are as follows:

P-40M	AF43-5403	-	43-5722	A
P-40M	AF43-5723	-	43-6002	B
P-40N	AF42-104429	-	42-104828	C
P-40N	AF42-104829	-	42-105028	D
P-40N	AF42-105029	-	42-105128	E
P-40N	AF42-105129	-	42-105639	F
P-40N	AF42-105640	-	42-105778	H
P-40N	AF42-105779	-	42-105928	I
P-40N	AF42-105929	-	42-106028	J
P-40N	AF42-106029	-	42-106246	K
P-40N	AF42-106247	-	42-106406	L
P-40N	AF42-106407	-	43-23151	P
P-40N	AF43-23152	-	43-23251	R
P-40N	AF43-23252	-	UP	S

This Illustrated Parts Catalog is effective up to and including airplane AF43-23951.

Parts used in all ships are not coded.

In order to expedite the delivery of spares, the airplane model and serial number should be supplied when requesting parts. The exact position, function, and pertinent data contributing to adequate definition of parts, if supplied with request, may avoid delay in procurement.

SECTION II

**GROUP
ASSEMBLY
PARTS LIST**

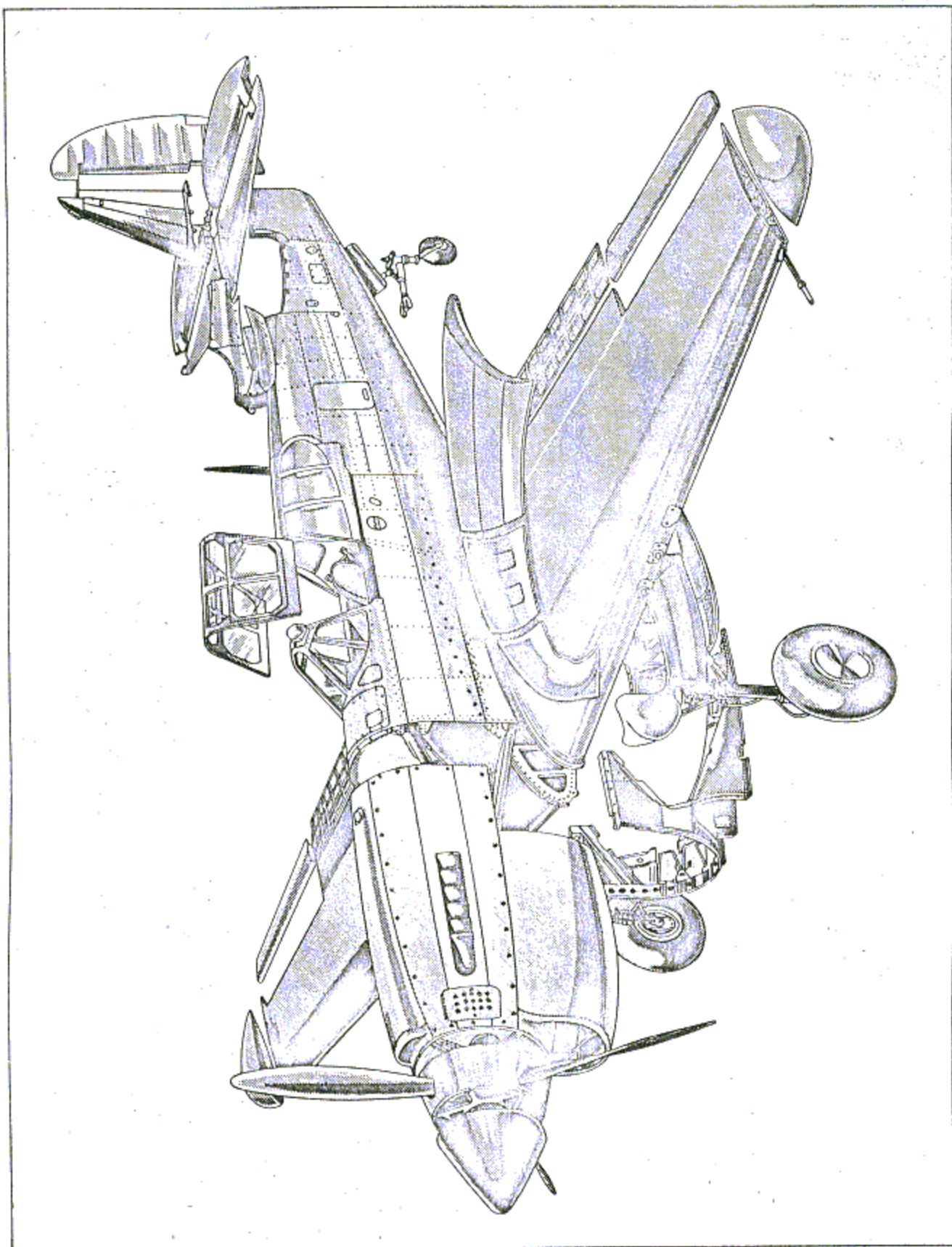


Figure 1—General View P-40M

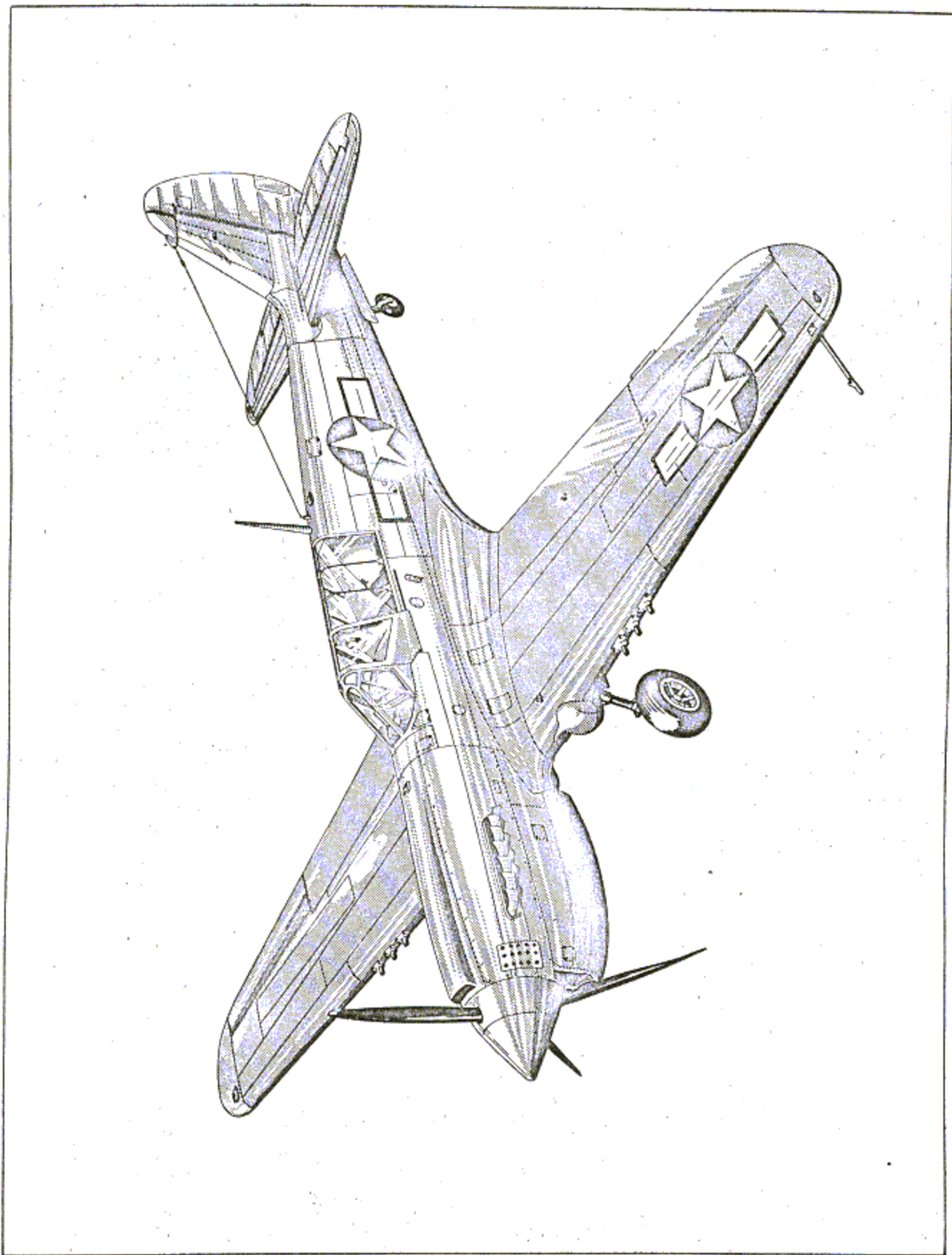


Figure 2—General View P-40N

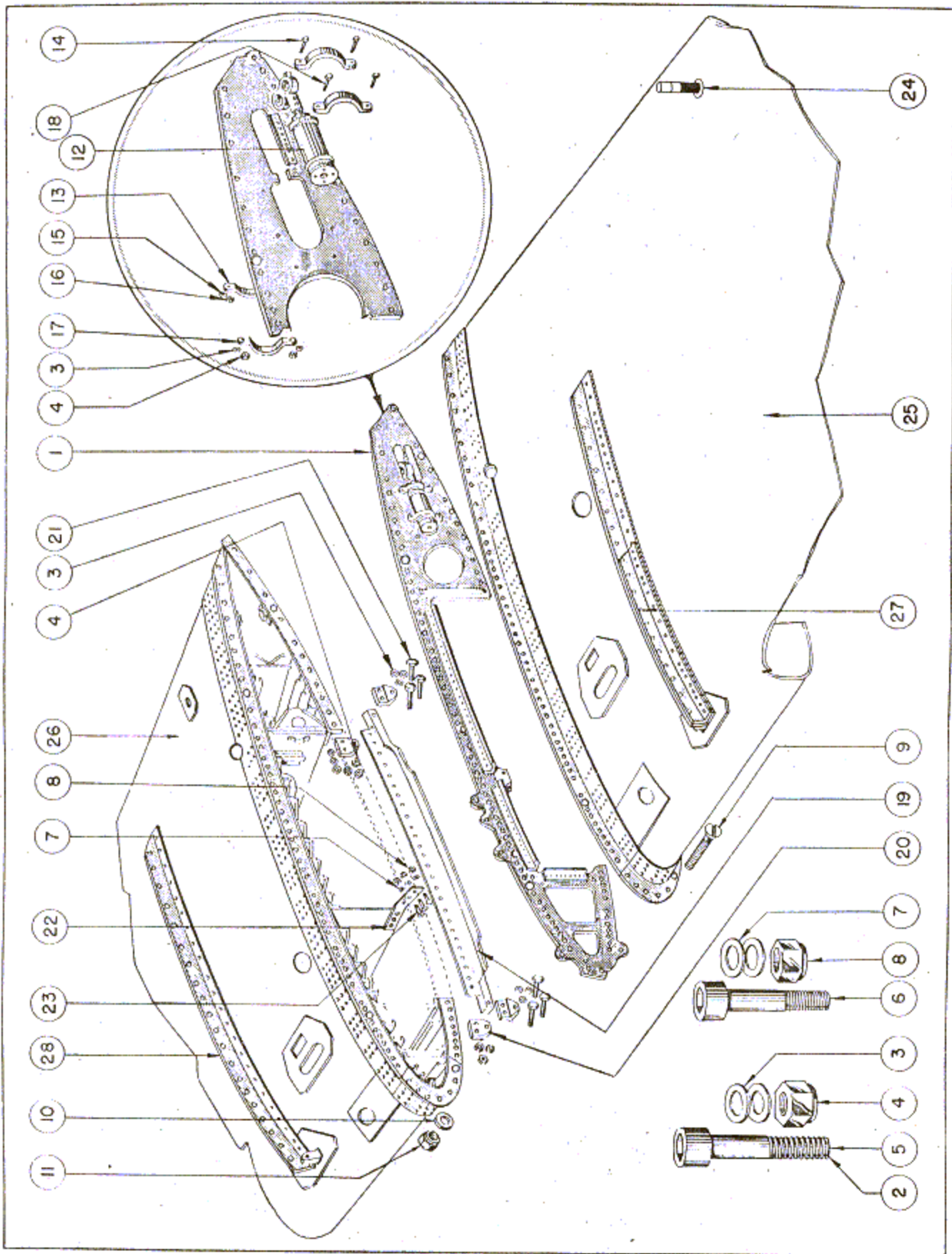


Figure 3—Wing Erection

RESTRICTED
T. O. No. 01-25C-4

SECTION II—GROUP ASSEMBLY PARTS LISTS

FIG. NO.	INDEX NO.	STOCKED	GROUP - WING						UNITS PER ASSY	PROPERTY CLASSIFICATION			
			MAJOR ASSEMBLY - WING ERECTION							U.S. NAVY	U.S. ARMY	BRITISH	
			PART NUMBER	1	2	3	4	5					6
3			87-06-901	Wing	Erection				A	1		01-C	126HB
			87-06-901-100	Wing	Erection				B	1		01-C	126HB
			87-000-1000	Wing	Erection				C	1		01-C	126HB
			87-000-1000-100	Wing	Erection				D - J	1		01-C	126HB
			87-000-1000-200	Wing	Erection				K - up	1		01-C	126HB
	1		87-06-528		Bulkhead -	Center Line				1		01-C	126HB
	2		87-03-404-12		Screw					21		01-C	126HB
	3		AN960-616		Washer					42		04-A	128
	4		365-624		Nut					21		04-A	128
	5		87-03-404-13		Screw					3		01-C	126HB
	3		AN960-616		Washer					6		04-A	128
	4		365-624		Nut					3		04-A	128
	6		87-03-290-12A		Bolt					130		01-C	126HB
	7		AN960-516		Washer					260		04-A	128
	8		365-524		Nut					130		04-A	128
	9		AN505-8-14		Screw					4		29	128
	10		AN960-8-4		Washer					4		04-A	128
	11		365-832		Nut					4		04-A	128
	12		87-64-004		Flap Actuating	Cylinder				1		01-C	126HB
	13		75-64-018		Bearing -	Rear				1		01-C	126HB
	14		AN3-12A		Bolt					2		04-A	128
	15		AN960-10		Washer					2		04-A	128
	16		365-1032		Nut					2		04-A	128
	17		87-64-055		Bearing -	Front				1		01-C	126HB
	18		AN6-17A		Bolt					2		04-A	128
	3		AN960-616		Washer					2		04-A	128
	4		365-624		Nut					2		04-A	128
	19		87-03-565		Tee Section					1		01-C	126HB
20		87-03-368		Plate					4		01-C	126HB	
21		AN6-16		Bolt					6		04-A	128	
3		AN960-616		Washer					12		04-A	128	
4		365-624		Nut					6		04-A	128	
22		87-06-530		Plate					1		01-C	126HB	
23		AN25-17A		Bolt					6		04-A	128	
7		AN960-516		Washer					6		04-A	128	
8		364-524		Nut					6		04-A	128	
24		87-06-704		Flap Position	Indicator - L.H. only				1		01-C	126HB	
25		87-03-901L		Panel Assembly -	L.H.	A			1		01-C	126HB	
26		87-03-901R		Panel Assembly -	R.H.	A			1		01-C	126HB	
25		87-03-901-100L		Panel Assembly -	L.H.	B			1		01-C	126HB	
26		87-03-901-100R		Panel Assembly -	R.H.	B			1		01-C	126HB	
25		87-030-1000L		Panel Assembly -	L.H.	C			1		01-C	126HB	
26		87-030-1000R		Panel Assembly -	R.H.	C			1		01-C	126HB	
25		87-030-1000-100L		Panel Assembly -	L.H.	D - J			1		01-C	126HB	
26		87-030-1000-100R		Panel Assembly -	R.H.	D - J			1		01-C	126HB	
25		87-030-1000-200L		Panel Assembly -	L.H.	K - up			1		01-C	126HB	
26		87-030-1000-200R		Panel Assembly -	R.H.	K - up			1		01-C	126HB	
27		87-03-523-1L		Wing Attaching	Tee - L.H.				1		01-C	126HB	
28		87-03-523-1R		Wing Attaching	Tee - R.H.				1		01-C	126HB	

RESTRICTED

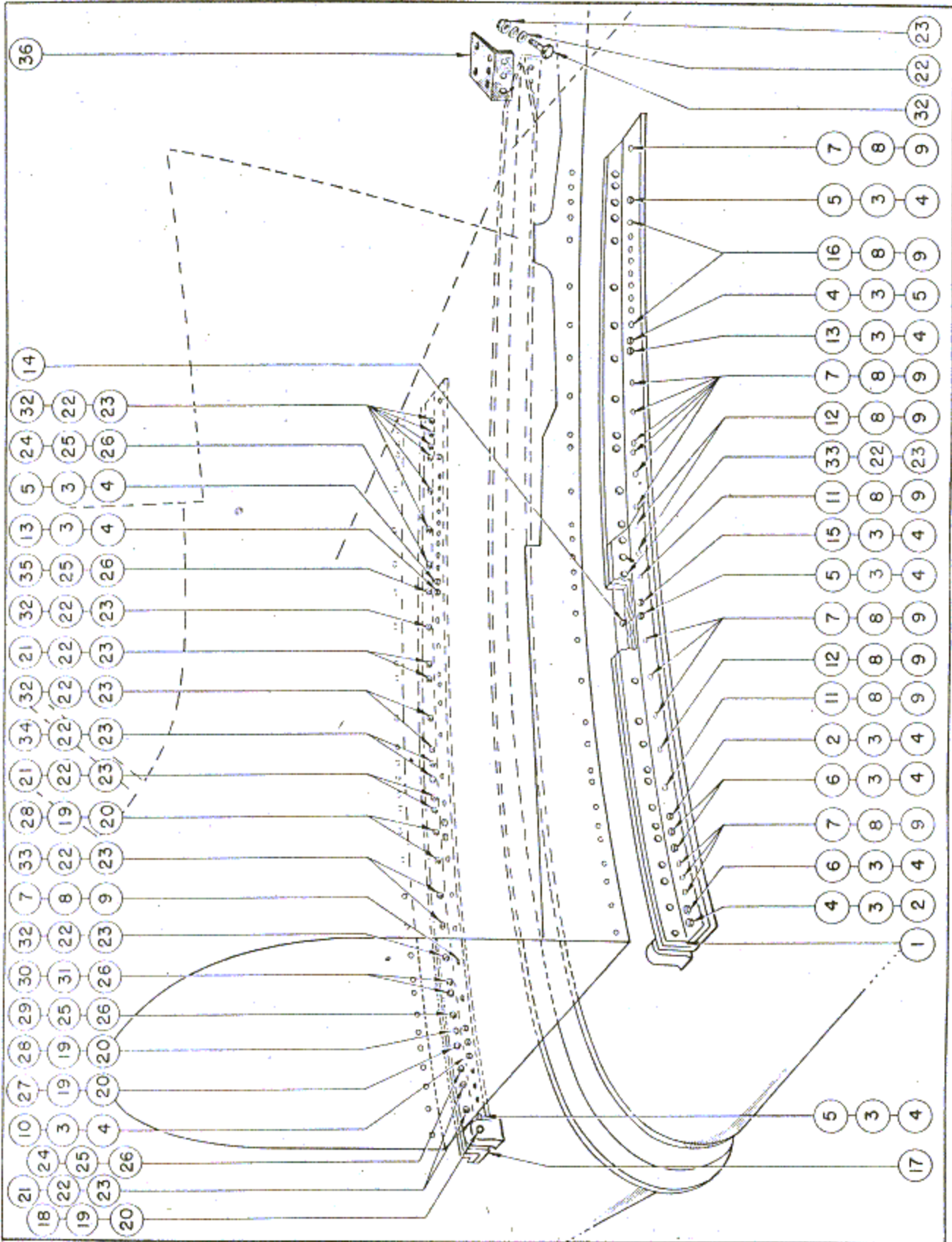


Figure 4—Attachment Wing to Fuselage

RESTRICTED
T. O. No. 01-25C-4

SECTION II—GROUP ASSEMBLY PARTS LISTS

FIG. NO.	INDEX NO.	SYMBOL	GROUP - WING						UNITS PER ASSY	PROPERTY CLASSIFICATION		
			MAJOR ASSEMBLY - ATTACHMENT WING TO FUSELAGE							U.S. NAVY	U.S. ARMY	BRITISH
			PART NUMBER	1	2	3	4	5				
4	1		87-03-901L	Panel	Assembly	-	L.H.	A			01-C	126HB
			87-03-901R	Panel	Assembly	-	R.H.	A			01-C	126HB
			87-03-901-100L	Panel	Assembly	-	L.H.	B			01-C	126HB
			87-03-901-100R	Panel	Assembly	-	R.H.	B			01-C	126HB
			87-030-1000L	Panel	Assembly	-	L.H.	C			01-C	126HB
			87-030-1000R	Panel	Assembly	-	R.H.	C			01-C	126HB
			87-030-1000-100L	Panel	Assembly	-	L.H.	D - J			01-C	126HB
			87-030-1000-100R	Panel	Assembly	-	R.H.	D - J			01-C	126HB
			87-030-1000-200L	Panel	Assembly	-	L.H.	K - up			01-C	126HB
			87-030-1000-200R	Panel	Assembly	-	R.H.	K - up			01-C	126HB
			87-03-523L	Attachment	-	Wing Tee Installation					01-C	126HB
		87-03-523R										
			Attachment	-	Wing Tee Installation					01-C	126HB	
		2		AN4-12A		Bolt					01-C	126HB
		3		AN960-416		Washer			2		04-A	128
		4		365-428		Nut			2		04-A	128
		5		AN4-10A		Bolt			2		04-A	128
		3		AN960-416		Washer			8		04-A	128
		4		365-428		Nut			8		04-A	128
		6		AN4-11A		Bolt			8		04-A	128
		3		AN960-416		Washer			3		04-A	128
		4		365-428		Nut			3		04-A	128
		7		525-10-12		Screw			3		04-A	128
		8		AN960-10		Washer			25		29	128
		9		365-1032		Nut			25		04-A	128
		10		AN4-8A		Bolt			25		04-A	128
		3		AN960-416		Washer			1		04-A	128
		4		365-428		Nut			1		01-A	128
	11		525-10-16		Screw			1		04-A	128	
	8		AN960-10		Washer			4		29	128	
	9		365-1032		Nut			4		04-A	128	
	12		525-10-14		Screw			4		01-A	128	
	8		AN960-10		Washer			5		29	128	
	9		365-1032		Nut			5		04-A	128	
	13		AN4-7A		Bolt			5		04-A	128	
	3		AN960-416		Washer			3		04-A	128	
	4		365-428		Nut			3		04-A	128	
	14		AN4-13A		Bolt			3		04-A	128	
	3		AN960-416		Washer			1		04-A	128	
	4		365-428		Nut			1		04-A	128	
	15		AN4-15A		Bolt			1		04-A	128	
	3		AN960-416		Washer			1		04-A	128	
	4		365-428		Nut			1		04-A	128	
	16		525-10-11		Screw			1		01-A	128	
	8		AN960-10		Washer			9		29	128	
	9		365-1032		Nut			9		04-A	128	
	17		87-511	Attachment	-	Wing to Fuselage	A - up	1		01-C	126HB	
	18		87-21-642	Bolt				2		01-C	126HB	
	19		AN960-716	Washer				2		04-A	128	
	20		365-720	Nut				2		01-A	128	
	21		AN5-12A	Bolt				2		01-A	128	
	22		AN960-516	Washer				12		04-A	128	
	23		365-524	Nut				24		04-A	128	
	24		AN6-14A	Bolt				12		04-A	128	
	25		AN960-616	Washer				4		04-A	128	
	26		365-624	Nut				8		04-A	128	
	27		AN7-15A	Bolt				4		04-A	128	
	19		AN960-716	Washer				2		04-A	128	
	20		365-720	Nut				4		04-A	128	
	28		AN7-12A	Bolt				2		04-A	128	
								6		04-A	128	

RESTRICTED

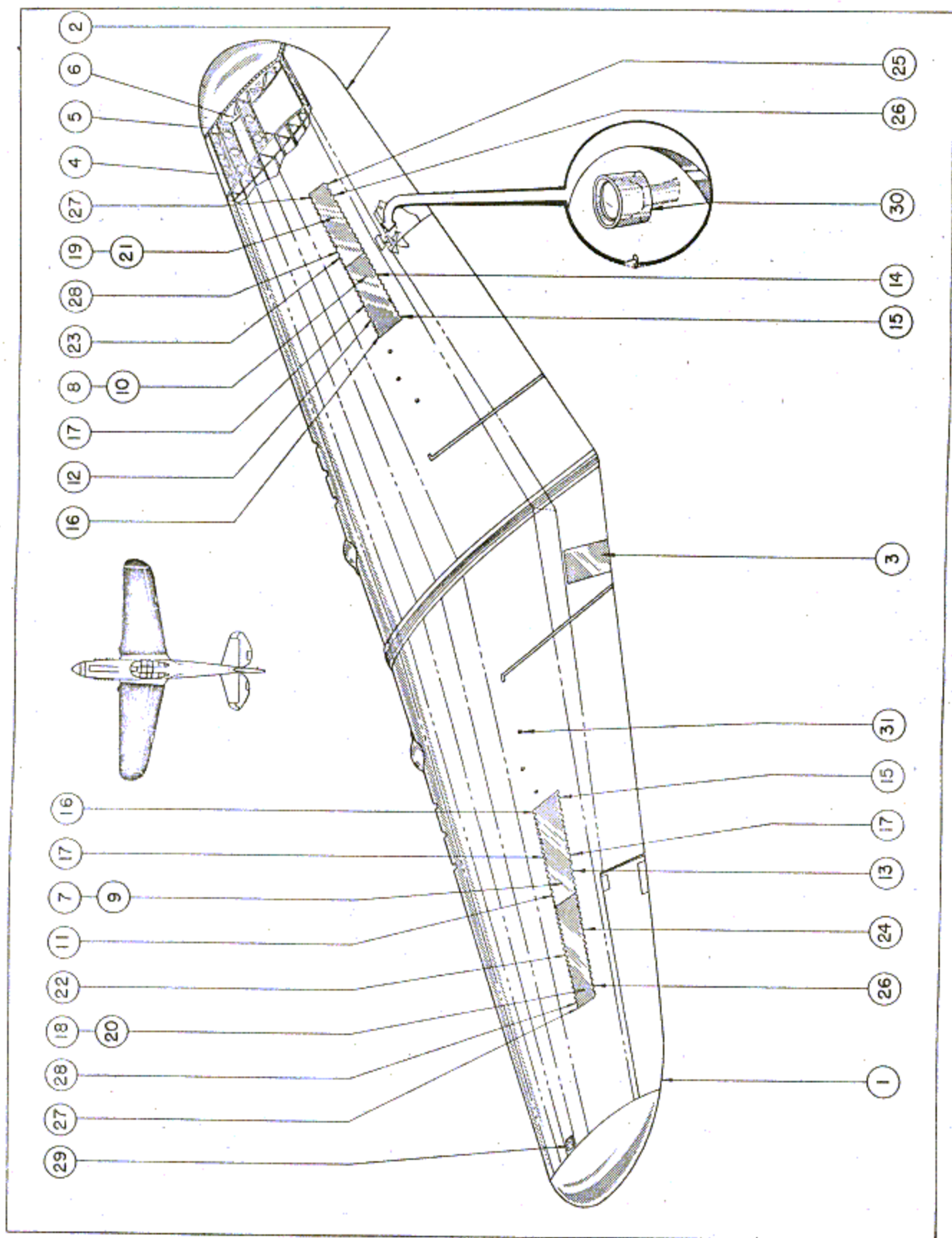


Figure 5—Wing Panel—Upper View

RESTRICTED
T. O. No. 01-25C-4
SECTION II—GROUP ASSEMBLY PARTS LISTS

FIG. NO.	INDEX NO.	STOCK #	GROUP - WING						UNITS PER ASSY	PROPERTY CLASSIFICATION		
			MAJOR ASSEMBLY - ATTACHMENT WING TO FUSELAGE (Cont.)							U.S. NAVY	U.S. ARMY	BRITISH
			PART NUMBER	1	2	3	4	5				
4	19		AN960-716,						12		04-A	128
	20		365-720						6		04-A	128
	29		AN6-12A						2		04-A	128
	25		AN960-616						4		04-A	128
	26		365-624						2		04-A	128
	30		AN6-13A						4		04-A	128
	31		87-03-1052						2		01-C	126HB
	26		365-624						4		04-A	128
	32		AN5-10A						26		04-A	128
	22		AN960-516						49		04-A	128
	23		365-524						26		04-A	128
	33		AN5-11A						6		04-A	128
	22		AN960-516						12		04-A	128
	23		365-524						6		04-A	128
	34		AN5-14A						2		04-A	128
	22		AN960-516						4		04-A	128
	23		365-524						2		04-A	128
	35		AN6-15A						4		04-A	128
	25		AN960-616						2		04-A	128
	26		365-624						2		04-A	128
	36		87-21-589						1		01-C	126HB

FIG. NO.	INDEX NO.	STOCK #	GROUP - WING						UNITS PER ASSY	PROPERTY CLASSIFICATION			
			MAJOR ASSEMBLY - WING PANEL - UPPER VIEW							U.S. NAVY	U.S. ARMY	BRITISH	
			PART NUMBER	1	2	3	4	5					6
5			87-03-901L	Panel	Assembly	-	L.H.					01-C	126HB
			87-03-901R	Panel	Assembly	-	R.H.					01-C	126HB
			87-03-901-100L	Panel	Assembly	-	L.H.					01-C	126HB
			87-03-901-100R	Panel	Assembly	-	R.H.					01-C	126HB
			87-030-1000L	Panel	Assembly	-	L.H.					01-C	126HB
			87-030-1000R	Panel	Assembly	-	R.H.					01-C	126HB
			87-030-1000-100L	Panel	Assembly	-	L.H.					01-C	126HB
			87-030-1000-100R	Panel	Assembly	-	R.H.					01-C	126HB
			87-030-1000-200L	Panel	Assembly	-	L.H.					01-C	126HB
			87-030-1000-200R	Panel	Assembly	-	R.H.					01-C	126HB
	1		87-05-501-100	Aileron	Assembly	-	L.H.					01-C	126HB
	2		87-05-501-200	Aileron	Assembly	-	R.H.					01-C	126HB
			87-050-1000L	Aileron	Assembly	-	L.H.					01-C	126HB
	2		87-050-1000R	Aileron	Assembly	-	R.H.					01-C	126HB
	3		87-03-827	Partial	walkway (L.H. only)		A - B		1			01-C	126HB
			87-03-687L	Bulkhead	-	Sta. 185	- L.H.		1			01-C	126HB
			87-03-687R	Bulkhead	-	Sta. 185	- R.H.		1			01-C	126HB
			87-03-688L	Bulkhead	-	Sta. 185	- L.H.		1			01-C	126HB
	5		87-03-688R	Bulkhead	-	Sta. 185	- R.H.		1			01-C	126HB
			87-03-705L	Bulkhead	-	Sta. 205	- L.H.		1			01-C	126HB
	6		87-03-705R	Bulkhead	-	Sta. 205	- R.H.		1			01-C	126HB
	7		87-03-863-2L	Door	Assembly - Ammunition Box		Inboard - L.H.		1			01-C	126HB
	8		87-03-863-2R	Door	Assembly - Ammunition Box		Inboard - R.H.		1			01-C	126HB
	9		87-03-863-3L	Door	-	L.H.			1			01-C	126HB
	10		87-03-863-3R	Door	-	R.H.			1			01-C	126HB
	11		87-03-864-2L	Hinge	-	L.H.			1			01-C	126HB

RESTRICTED

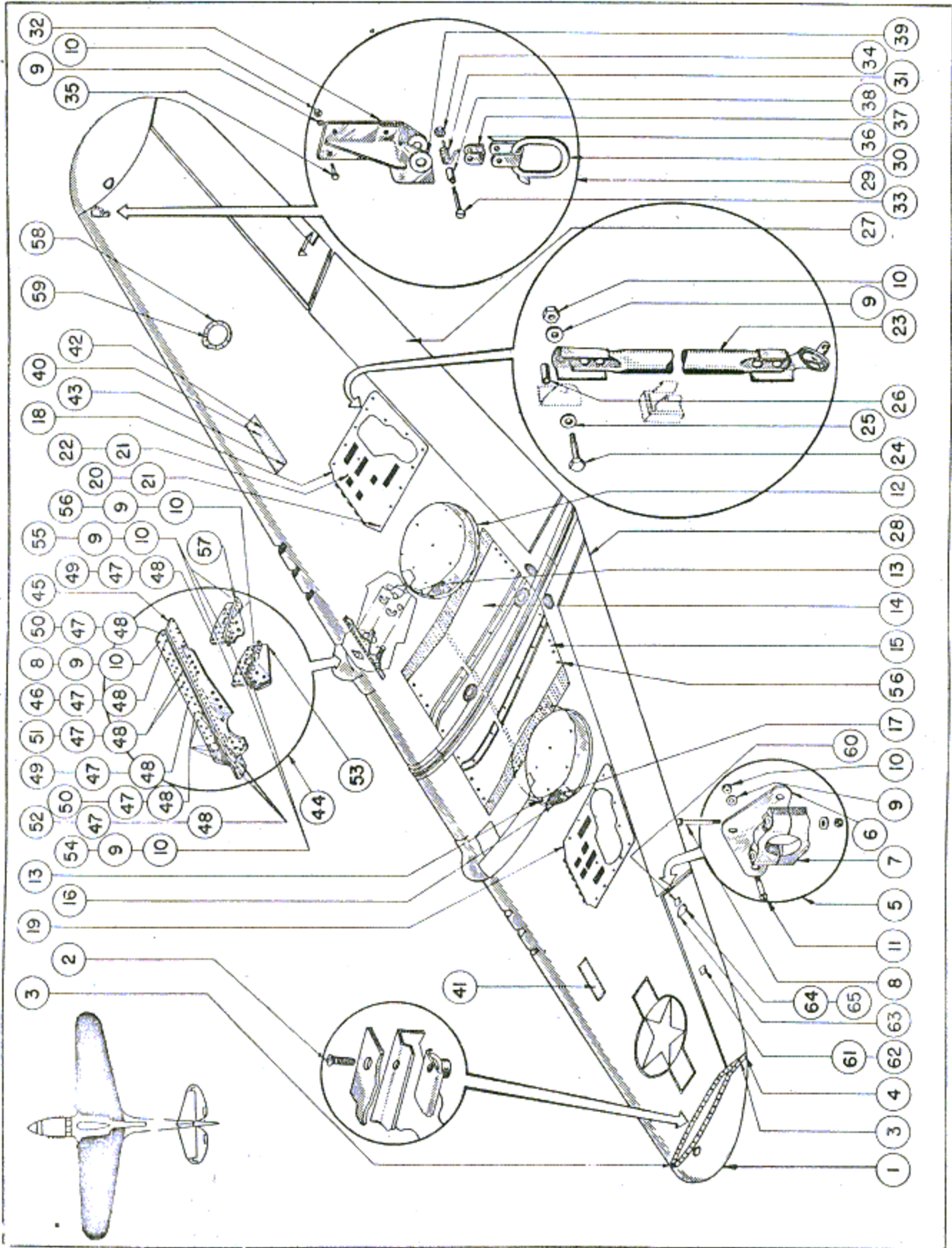


Figure 6—Wing Panel—Lower View

RESTRICTED
T. O. No. 01-25C-4

SECTION II—GROUP ASSEMBLY PARTS LISTS

FIG. NO.	INDEX NO.	STOCK NUMBER	GROUP - WING						UNITS PER ASSY	PROPERTY CLASSIFICATION			
			MAJOR ASSEMBLY - WING PANEL - UPPER VIEW (Cont.)							U.S. NAVY	U.S. ARMY	BRITISH	
			PART NUMBER	1	2	3	4	5					6
5	12		87-03-864-2R			Hinge - R.H.			1		01-C	126HB	
	13		87-03-864-3L			Hinge - L.H.			1		01-C	126HB	
	14		87-03-864-3R			Hinge - R.H.			1		01-C	126HB	
	15		87-03-863-10			Pin			1		01-C	126HB	
	16		918-D-20SS			Pin - Lock			1		01-C	126HB	
	17		918-D-11 3/4SS			Pin - Lock			1		01-C	126HB	
	18		87-03-863-12L			Door Assembly			1		01-C	126HB	
		19		87-03-863-12R			Door Assembly			1		01-C	126HB
		20		87-03-864-13L			Door - L.H.			1		01-C	126HB
		21		87-03-864-13R			Door - R.H.			1		01-C	126HB
		22		87-03-864-6L			Hinge - L.H.			1		01-C	126HB
		23		87-03-864-6R			Hinge - R.H.			1		01-C	126HB
		24		87-03-864-7L			Hinge - L.H.			1		01-C	126HB
		25		87-03-864-7R			Hinge - R.H.			1		01-C	126HB
		26		87-03-863-20			Pin			1		01-C	126HB
		27		918-D-19 1/4SS			Pin - Lock			1		01-C	126HB
		28		918-D-21SS			Pin - Lock			1		01-C	126HB
		29		87-67-528L			Antenna Socket			1		01-C	126HB
		30		87-67-528R			Antenna Socket			1		01-C	126HB
		31		75-64-026			Bushing - Aileron Control Drum			2		01-C	126HB
			87-03-949			Cover			6		01-C	126HB	

FIG. NO.	INDEX NO.	STOCK NUMBER	GROUP - WING						UNITS PER ASSY	PROPERTY CLASSIFICATION			
			MAJOR ASSEMBLY - WING PANEL - LOWER VIEW							U.S. NAVY	U.S. ARMY	BRITISH	
			PART NUMBER	1	2	3	4	5					6
6			87-03-901L			Panel Assembly - L.H.		A			01-C	126HB	
			87-03-901R			Panel Assembly - R.H.		A			01-C	126HB	
			87-03-901-100L			Panel Assembly - L.H.		B			01-C	126HB	
			87-03-901-100R			Panel Assembly - R.H.		B			01-C	126HB	
			87-030-1000L			Panel Assembly - L.H.		C			01-C	126HB	
			87-030-1000R			Panel Assembly - R.H.		C			01-C	126HB	
			87-030-1000-100L			Panel Assembly - L.H.		D - J			01-C	126HB	
			87-030-1000-100R			Panel Assembly - R.H.		D - J			01-C	126HB	
			87-030-1000-200L			Panel Assembly - L.H.		K - up			01-C	126HB	
			87-030-1000-200R			Panel Assembly - R.H.		K - up			01-C	126HB	
			87-030-532L			Tip Assembly - L.H.				1		01-C	126HB
		1		87-030-532R			Tip Assembly - R.H.			1		01-C	126HB
		2		1101-D-S-8			Screw			81		01-C	126HB
		3		1101-D-S-6			Screw			4		01-C	126HB
		4		1029E4-4			Screw			2		01-C	126HB
		5		75-03-129			Bearing Assembly			2		01-C	126HB
		6		75-03-129-3			Bearing			1		01-C	126HB
		7		75-03-129-4			Bearing Cap			1		01-C	126HB
		8		AN3-10A			Bolt			2		04-A	128
		9		AN960-10			Washer			2		04-A	128
	10		365-1032			Nut			2		04-A	128	
	11		AN23-11A			Bolt			3		04-A	128	
	9		AN960-10			Washer			3		04-A	128	
	10		365-1032			Nut			3		04-A	128	
	12		87-03-422-40			Cover - Wheel Focket - L.H.			1		01-C	126HB	
	13		38969 1/2-D-AD			Fastener (Talon)			2		01-C	126HB	

RESTRICTED

SECTION II—GROUP ASSEMBLY PARTS LISTS

FIG. NO.	INDEX NO.	SYMBOL	GROUP - WING						UNITS PER ASSY	PROPERTY CLASSIFICATION			
			MAJOR ASSEMBLY - WING PANEL - LOWER VIEW (Cont.)							U.S. NAVY	U.S. ARMY	BRITISH	
			PART NUMBER	1	2	3	4	5					6
6	14		87-03-542						1		01-C	126HB	
	15		87-03-543						1		01-C	126HB	
	16		87-03-422-30						1		01-C	126HB	
	13		38968-8 1/2-D-AD						2		01-C	126HB	
	17		38968-8 1/2-D-BD						1		01-C	126HB	
	18		87-03-833L						1		01-C	126HB	
	19		87-03-833R						1		01-C	126HB	
	20		FA5-40						12		04-A	27H	
	21		375F						15		04-A	27H	
	22		FA5-50						3		04-A	27H	
	23		87-03-660L						1		01-C	126HB	
			87-03-660R						1		01-C	126	
	24		AN3-5A						1		04-A	128	
	9		AN960-10						1		04-A	128	
	10		365-1032						1		04-A	128	
	25		1075-DG-.032-.281										
			-.281-.500							2		01-C	126HB
	26		1025-D-.265-.188							1		01-C	126HB
	27		87-08-501L							1		01-C	126HB
	28		87-08-501R							1		01-C	126HB
	29		75-03-176L							1		01-C	126HB
			75-03-176R							1		01-C	126HB
	30		75-03-073							1		01-C	126HB
	31		75-03-188L							1		01-C	126HB
			75-03-188R							1		01-C	126HB
	32		75-03-151L							1		01-C	126HB
			75-03-151R							1		01-C	126HB
	33		AN24-24A							1		04-A	128
	34		22A1Q-048							1		04-A	128
	35		AN3-44							4		04-A	128
	9		AN960-10							4		04-A	128
	10		365-1032							4		04-A	128
	36		75-03-149							1		01-C	126HB
	37		75-03-150							1		01-C	126HB
	38		75-63-012-5/16										
			-5/16							1		01-C	126HB
	39		75-03-184-1/2										
			-15/64							1		01-C	126HB
	40		87-70-543L							1		01-C	126HB
	41		87-70-549R							1		01-C	126HB
	42		1101-D-S-10							23		01-C	126HB
	43		1101-D-S-14							18		01-C	126HB
	44		87-31-906L										
										1		01-C	126HB
			87-31-906R										
										1		01-C	126HB
	45		87-31-906-1							1		01-C	126HB
	8		AN3-10A							1		04-A	128
	9		AN960-10							1		04-A	128
	10		365-1032							1		04-A	128
46		AN4-10A							1		04-A	128	
47		AN960-416							1		04-A	128	
48		365-428							1		04-A	128	
49		525-416-11							12		29	128	
47		AN960-416							12		04-A	128	
48		365-428							12		04-A	128	
50		525-416-13							9		29	128	
47		AN960-416							9		04-A	128	

SECTION II—GROUP ASSEMBLY PARTS LISTS

FIG. NO.	INDEX NO.	STOCKED	GROUP - WING						UNITS PER ASSY	PROPERTY CLASSIFICATION				
			MAJOR ASSEMBLY - WING PANEL - LOWER (Cont.)							U.S. NAVY	U.S. ARMY	BRITISH		
			PART NUMBER	1	2	3	4	5					6	NOMENCLATURE
6	48		365-428							9		04-A	128	
	51		525-416-14							21		29	128	
	47		AN960-416							21		04-A	128	
	48		365-428							21		04-A	128	
	52		525-416-16							4		29	128	
	47		AN960-416							4		04-A	128	
	48		365-428							4		04-A	128	
	53		87-31-906-2L							1		01-C	126HB	
			87-31-906-2R							1		01-C	126HB	
	54		525-10-10							8		29	128	
	9		AN960-10							8		04-A	128	
	10		365-1032							8		04-A	128	
	55		525-10-11							20		29	128	
	9		AN960-10							20		04-A	128	
	10		365-1032							20		04-A	128	
	56		525-10-12							2		29	128	
	9		AN960-10							2		04-A	128	
	10		365-1032							2		04-A	128	
	57		87-31-906-3L							1		01-C	126HB	
			87-31-906-3R							1		01-C	126HB	
	49		525-416-11							8		29	128	
	47		AN960-416							8		04-A	128	
	48		365-428							8		04-A	128	
	55		525-10-11							6		29	128	
	9		AN960-10							6		04-A	128	
	10		365-1032							6		04-A	128	
	54		525-10-10							8		29	128	
	9		AN960-10							3		04-A	128	
	10		365-1032							8		04-A	128	
	55		525-10-11							6		29	128	
	9		AN960-10							6		04-A	128	
	10		365-1032							6		04-A	128	
	56		525-10-12							2		29	128	
	9		AN960-10							2		04-A	128	
	10		365-1032							2		04-A	128	
	58		87-030-1011											
									Cover - L.H. only	C - A.C.42 -106028	1		01-C	126HB
	59		1100-DS-5						Screw		12		01-C	126HB
	60		87-14-513-6						Door		2		01-C	126HB
	61		A5-30						Grommet (Dzus)		1		04-A	27H
	62		GA5-312						Stud (Dzus)		1		04-A	27H
	63		87-05-040						Door - L.H. only	A - B	1		01-C	126HB
	64		EX39077-2						Grommet		2		01-C	126HB
	65		EX39077-1						Stud		2		01-C	126HB
	56		525-10-12						Screw		310		29	128

FIG. NO.	INDEX NO.	STOCKED	GROUP - WING						UNITS PER ASSY	PROPERTY CLASSIFICATION				
			MAJOR ASSEMBLY- STARTER PEDAL AND STICK BOX							U.S. NAVY	U.S. ARMY	BRITISH		
			PART NUMBER	1	2	3	4	5					6	NOMENCLATURE
7			87-66-502-33											
			87-66-300-33											
			87-66-759											
	1		87-66-254								1		01-C	126HB
	2		AN393-57								1		04-A	128

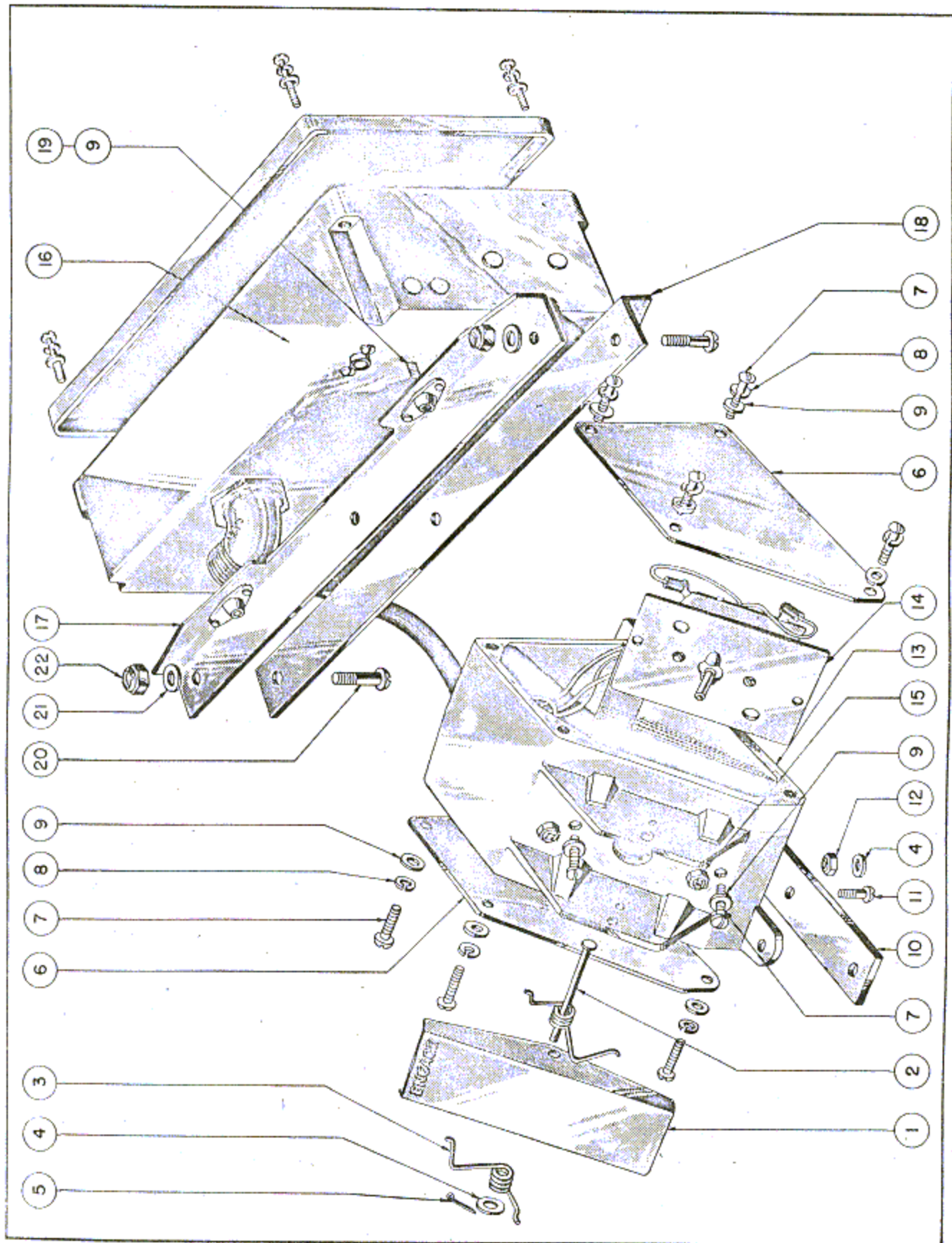


Figure 7—Starter Pedal and Stick Box

RESTRICTED
T. O. No. 01-25C-4

SECTION II—GROUP ASSEMBLY PARTS LISTS

FIG. NO.	INDEX NO.	STOCK #	GROUP - WING						UNITS PER ASSY	PROPERTY CLASSIFICATION		
			MAJOR ASSEMBLY - STARTER PEDAL AND STICK BOX (Cont.)							U.S. NAVY	U.S. ARMY	BRITISH
			PART NUMBER	1	2	3	4	5				
7	3		87-66-909						2		01-C	126HB
	4		AN960-D10						1		04-A	128
	5		AN380-C2-2						1		04-A	128
	6		87-66-765						2		01-C	126HB
	7		AN515-8-8						8		04-A	128
	8		AN935-8						8		04-A	128
	9		AN960-D8						8		04-A	128
	10		87-66-761						1		01-C	126HB
	11		AN505-6-10						2		29	128
	4		AN960-D10						2		04-A	128
	12		365-632						2		04-A	128
	13		87-66-766						1		01-C	126HB
	14		94-32158						1		03-C	105C
	7		AN515-8-8						2		29	128
	9		AN960-D8						2		04-A	128
	15		365-832						2		04-A	128
	16		87-66-532								01-C	126HB
	17		87-66-531						1		01-C	126HB
	18		87-66-534L						1		01-C	126HB
	19		87-66-534R						1		01-C	126HB
	19		AN515-D8-8						2		29	128
	9		AN960-D8						2		04-A	128
20		AN525-10-10						2		29	128	
21		AN960-10						2		04-A	128	
22		365-1032						2		04-A	128	
			Box Installation - Stick								01-C	126HB
			Box and Fitting Assembly							1	01-C	126HB
			Support							1	01-C	126HB
			Support							1	01-C	126HB
			Screw							2	29	128
			Washer							2	04-A	128
			Screw							2	29	128
			Washer							2	04-A	128
			Nut							2	04-A	128

FIG. NO.	INDEX NO.	STOCK #	GROUP - WING						UNITS PER ASSY	PROPERTY CLASSIFICATION		
			MAJOR ASSEMBLY - GUN MOUNT FITTINGS							U.S. NAVY	U.S. ARMY	BRITISH
			PART NUMBER	1	2	3	4	5				
8			87-03-901L	Panel	Assembly	-	L.H.		A		01-C	126HB
			87-03-901R	Panel	Assembly	-	R.H.		A		01-C	126HB
			87-03-901-100L	Panel	Assembly	-	L.H.		B		01-C	126HB
			87-03-901-100R	Panel	Assembly	-	R.H.		B		01-C	126HB
			87-030-1000L	Panel	Assembly	-	L.H.		C		01-C	126HB
			87-030-1000R	Panel	Assembly	-	R.H.		C		01-C	126HB
			87-030-1000-100L	Panel	Assembly	-	L.H.		D - J		01-C	126HB
			87-030-1000-100R	Panel	Assembly	-	R.H.		D - J		01-C	126HB
			87-030-1000-200L	Panel	Assembly	-	L.H.		K - up		01-C	126HB
			87-030-1000-200R	Panel	Assembly	-	R.H.		K - up		01-C	126HB
	1		87-69-515							2	01-C	126HB
	2		AN5-10A							4	04-A	128
	3		AN960-D516							4	04-A	128
	4		365-524							4	04-A	128
	5		AN4-6A							10	04-A	128
	6		AN960-D416							10	04-A	128
	7		365-428							10	04-A	128

RESTRICTED

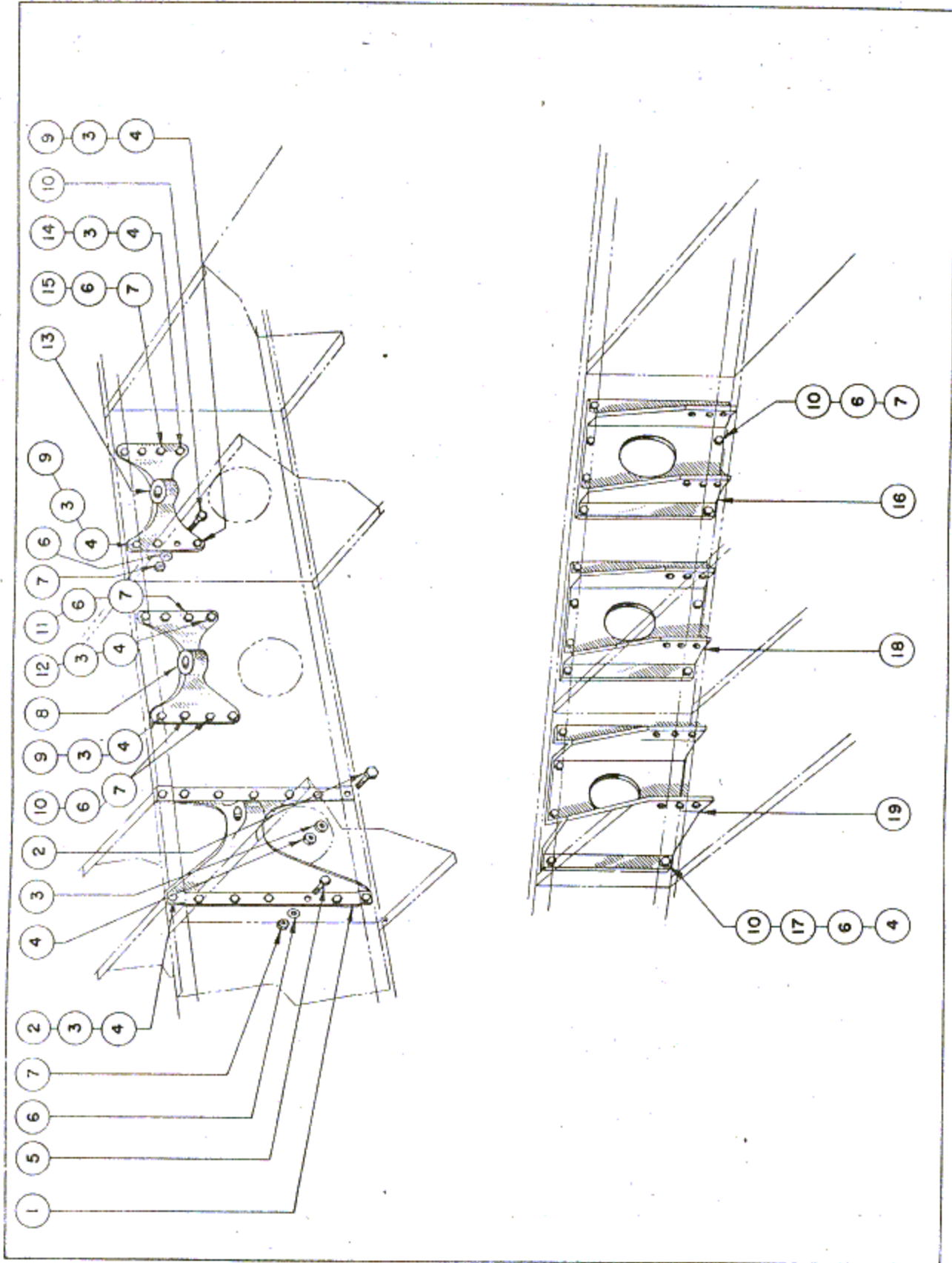


Figure 8—Gun Mount Fittings

SECTION II—GROUP ASSEMBLY PARTS LISTS

FIG. NO.	INDEX NO.	GROUP - WING						UNITS PER ASSY	PROPERTY CLASSIFICATION				
		MAJOR ASSEMBLY- GUN MOUNT FITTINGS (Cont.)							U.S. NAVY	U.S. ARMY	BRITISH		
		PART NUMBER	1	2	3	4	5					6	NOMENCLATURE
8	8	87-69-514			Support				Gun No. 2 Front	2		01-C	126HB
	9	AN5-11A			Bolt					3		04-A	128
	3	AN960-D516			Washer					3		04-A	128
	4	365-524			Nut					3		04-A	128
	10	AN4-11A			Bolt					3		04-A	128
	6	AN960-D416			Washer					3		04-A	128
	7	365-428			Nut					3		04-A	128
	11	AN4-16A			Bolt					1		04-A	128
	6	AN960-D416			Washer					1		04-A	128
	7	365-428			Nut					1		04-A	128
	12	AN516A			Bolt					1		29	128
	3	AN960-D516			Washer					1		04-A	128
4	365-524			Nut					1		04-A	128	
13	87-69-705			Support					Gun No. 3 Front	2		01-C	126HB
	9	AN5-11A			Bolt					3		04-A	128
	3	AN960-D516			Washer					3		04-A	128
	4	365-524			Nut					3		04-A	128
	10	AN4-11A			Bolt					2		04-A	128
	6	AN960-D416			Washer					2		04-A	128
	7	365-428			Nut					2		04-A	128
	14	AN5-14A			Bolt					1		04-A	128
	3	AN960-D516			Washer					1		04-A	128
	4	365-524			Nut					1		04-A	128
	15	AN4-14A			Bolt					1		04-A	128
	6	AN960-D416			Washer					1		04-A	128
7	365-428			Nut					1		04-A	128	
16	87-69-543L			Fitting					Gun No. 1 Rear L.H.	1		01-C	126HB
	87-69-543R			Fitting					Gun No. 1 Rear R.H.	1		01-C	126HB
10	AN4-11A			Bolt						8		04-A	128
6	AN960-D416			Washer						8		04-A	128
17	AN960-416L			Washer						4		04-A	128
4	365-524			Nut						8		04-A	128
18	87-69-516L			Fitting					Gun No.2 Rear L.H.	1		01-C	126HB
	87-69-516R			Fitting					Gun No.2 Rear R.H.	1		01-C	126HB
10	AN4-11A			Bolt						8		04-A	128
6	AN960-D416			Washer						8		04-A	128
17	AN960-416L			Washer						4		04-A	128
4	365-524			Nut						8		04-A	128
19	87-69-704L			Fitting					Gun No.3 Rear L.H.	1		01-C	126HB
	87-69-704R			Fitting					Gun No.3 Rear R.H.	1		01-C	126HB
10	AN4-11A			Bolt						8		04-A	128
6	AN960-D416			Washer						8		04-A	128
17	AN960-416L			Washer						4		04-A	128
4	365-524			Nut						8		04-A	128

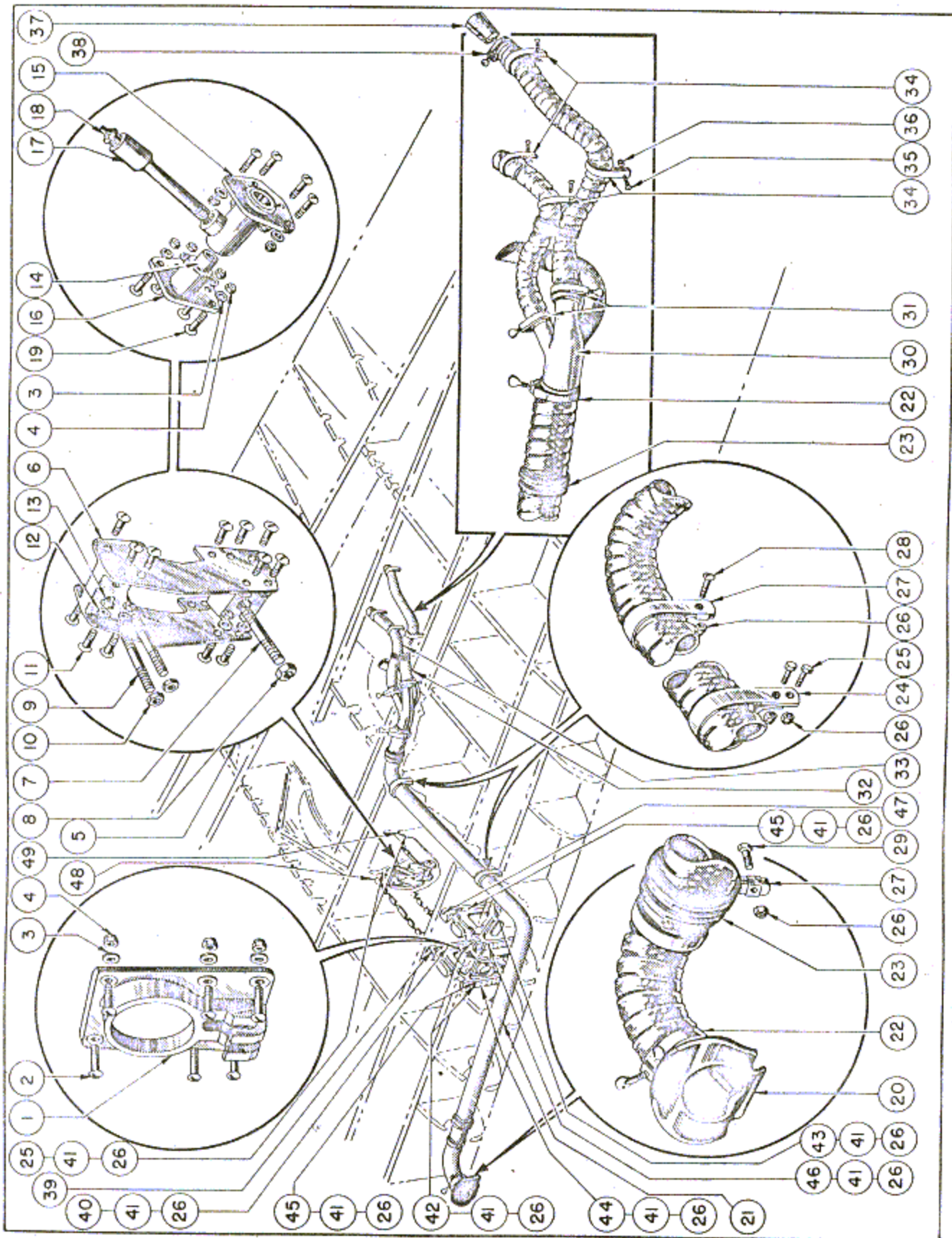


Figure 9—Retracting Strut Supports and Heater Tubes

RESTRICTED
T. O. No. 01-25C-4

SECTION II—GROUP ASSEMBLY PARTS LISTS

FIG. NO.	INDEX NO.	GROUP - WING						UNITS PER ASSY	PROPERTY CLASSIFICATION		
		MAJOR ASSEMBLY - RETRACTING STRUT SUPPORT & HEATER TUBES							U.S. NAVY	U.S. ARMY	BRITISH
		PART NUMBER	1	2	3	4	5				
9		87-03-901L	Panel	Assembly	-	L.H.	A			01-C	126HB
		87-03-901R	Panel	Assembly	-	R.H.	A			01-C	126HB
		87-03-901-100L	Panel	Assembly	-	L.H.	B			01-C	126HB
		87-03-901-100R	Panel	Assembly	-	R.H.	B			01-C	126HB
		87-030-1000L	Panel	Assembly	-	L.H.	C			01-C	126HB
		87-030-1000R	Panel	Assembly	-	R.H.	C			01-C	126HB
		87-030-1000-100L	Panel	Assembly	-	L.H.	D - J			01-C	126HB
		87-030-1000-100R	Panel	Assembly	-	R.H.	D - J			01-C	126HB
		87-030-1000-200L	Panel	Assembly	-	L.H.	K - up			01-C	126HB
		87-030-1000-200R	Panel	Assembly	-	R.H.	K - up			01-C	126HB
		87-33-502		Support	Installation	Ldg.			1	01-C	126HB
	1		75-33-019		Support				1	01-C	126HB
	2		AN24-10		Bolt				6	04-A	128
	3		AN960-416		Washer				6	01-A	128
	4		364-428		Nut				6	04-A	128
	5		87-33-542		Support	Assembly			1	01-C	126HB
	6		87-33-542-1		Support				1	01-C	126HB
	7		87-33-518		Stud				1	01-C	126HB
	8		AN316-9R		Nut				1	04-A	128
	9		75-33-018-1		Stud				2	01-C	126HB
	10		AN316-8R		Nut				2	04-A	128
	11		AN25-9		Bolt				18	04-A	128
	12		AN960-516		Washer				18	04-A	128
	13		364-524		Nut				18	04-A	128
	14		75-33-017		Bushing				2	01-C	126HB
	15		81-33-013-1		Fitting				1	01-C	126HB
	16		81-33-013-2		Fitting				1	01-C	126HB
	17		75-33-016-1		Extension				1	01-C	126HB
	18		281-1		Lubricator		(Alemite Co.)		1	29	128
	19		AN24-12		Bolt				8	04-A	128
	3		AN960-416		Washer				8	04-A	128
4		364-428		Nut				8	04-A	128	
		87-81-515-1L		Heater Installation	-	Wing Gun		1	01-C	126HB	
				L.H.	A - B						
		87-81-515-1R		Heater Installation	-	Wing Gun		1	01-C	126HB	
				R.H.	A - B						
		87-81-515-5L		Heater Installation	-	Wing Gun		1	01-C	126HB	
				L.H.	C - A.C.42-104903						
		87-81-515-5R		Heater Installation	-	Wing Gun		1	01-C	126HB	
				R.H.	C - A.C.42-104903						
		87-81-515-1L		Heater Installation	-	Wing Gun		1	01-C	126HB	
				L.H.	A.C.104903 - up						
		87-81-515-1R		Heater Installation	-	Wing Gun		1	01-C	126HB	
				R.H.	A.C.104903 - up						
20		87-81-518		Adapter				1	01-C	126HB	
21		87-81-528		Tube				1	01-C	126HB	
22		FBA-58		Clamp		(Wittek Mfg. Co.)		2	04-A	128	
23		87-81-925		Grommet				2	01-C	126HB	
24		87-81-540		Clamp				1	01-C	126HB	
25		AN3-4A		Bolt				2	04-A	128	
26		365-1032		Nut				2	04-A	128	
27		1042-DD-44		Clamp				1	01-C	126HB	
28		AN530-10-10		Screw				1	29	128	
26		365-1032		Nut				1	04-A	128	
27		1042-DD-44		Clamp				1	01-C	126HB	
29		AN520-10-10		Screw				1	29	128	
26		365-1032		Nut				1	04-A	128	
30		87-81-533L		Adapter	-	L.H.		1	01-C	126HB	
		87-81-533R		Adapter	-	R.H.		1	01-C	126HB	
31		FBA-20		Clamp		(Wittek Mfg. Co.)		2	04-A	128	

RESTRICTED

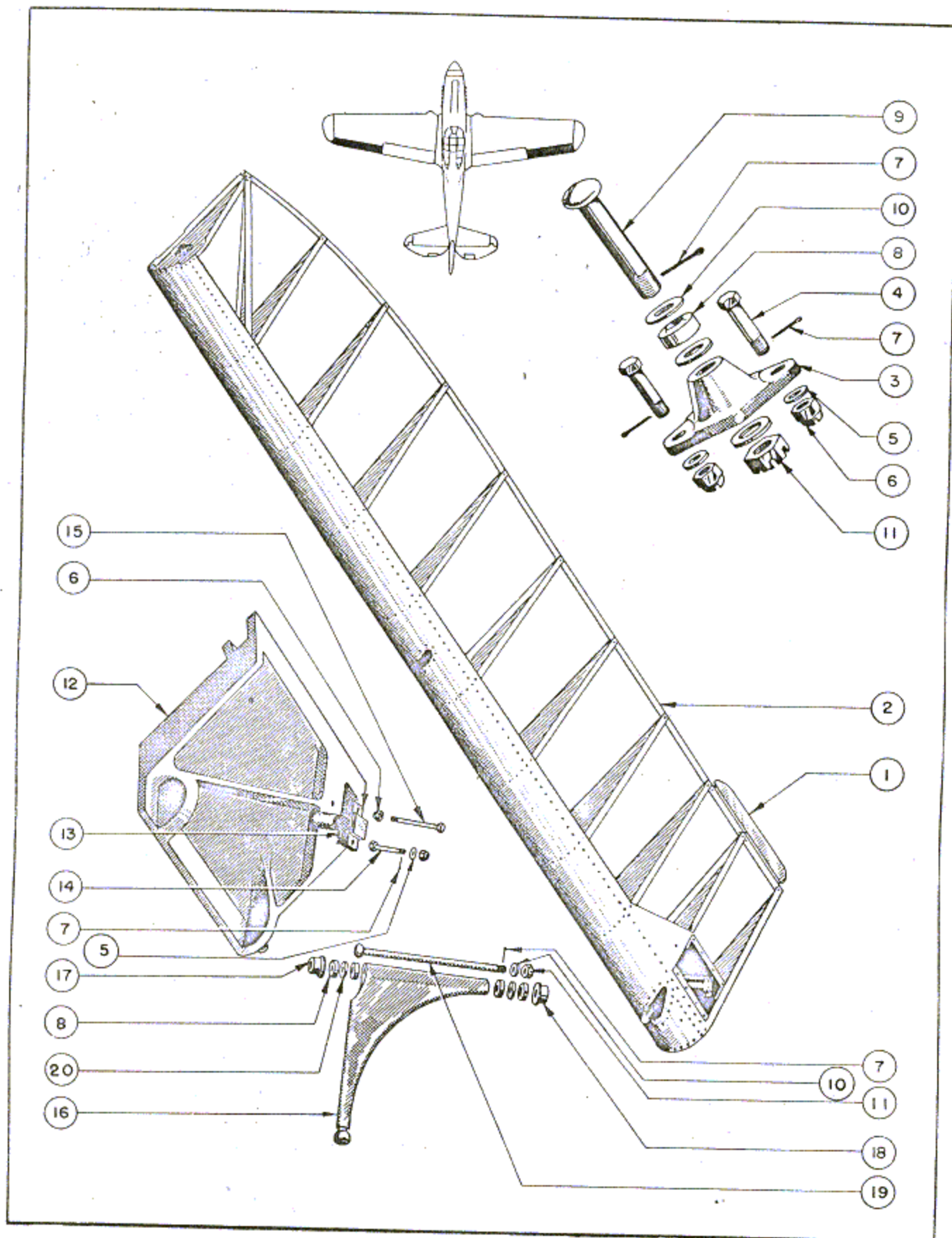


Figure 10—Aileron

RESTRICTED
T. O. No. 01-25C-4

SECTION II—GROUP ASSEMBLY PARTS LISTS

FIG. NO.	INDEX NO.	GROUP - WING						UNITS PER ASSY	PROPERTY CLASSIFICATION			
		MAJOR ASSEMBLY - RETRACTING STRUT SUPPORT & HEATER TUBES (Direct)							U.S. NAVY	U.S. ARMY	BRITISH	
		PART NUMBER	1	2	3	4	5					6
9	32	87-81-530-1 1/2-27							1		01-C	126HB
	33	87-81-530-1 1/2-14							1		01-C	126HB
	34	1042-DD-30							4		01-C	126HB
	35	AN515-8-12							4		29	128
	36	365-832							4		04-A	128
	37	87-81-717							1		01-C	126HB
	38	FBA-24							1		04-A	128
	39	87-03-916L							1		01-C	126HB
		87-03-916R							1		01-C	126HB
	40	AN3-6A							13		04-A	128
	41	AN960-10							13		04-A	128
	26	365-1032							13		04-A	128
	42	AN3-7A							1		04-A	128
	41	AN960-10							1		04-A	128
	26	365-1032							1		04-A	128
	43	AN3-12A							1		04-A	128
	41	AN960-10							1		04-A	128
	26	365-1032							1		04-A	128
	44	AN3-5A							12		04-A	128
	41	AN960-10							12		04-A	128
	26	365-1032							12		04-A	128
	45	AN3-7A							1		04-A	128
	41	AN960-10							1		04-A	128
	26	365-1032							1		04-A	128
	46	AN3-10A							1		04-A	128
	41	AN960-10							1		04-A	128
	26	365-1032							1		01-C	126HB
	47	87-03-919L							1		01-C	126HB
		87-03-919R							1		01-C	126HB
	45	AN3-7A							13		04-A	128
	41	AN960-10							13		04-A	128
	26	365-1032							13		04-A	128
	46	AN3-10A							1		04-A	128
	41	AN960-10							1		04-A	128
	26	365-1032							1		04-A	128
	43	AN3-12A							1		04-A	128
	41	AN960-10							1		04-A	128
	26	365-1032							1		04-A	128
	44	AN3-5A							12		04-A	128
	41	AN960-10							12		04-A	128
	26	365-1032							12		04-A	128
	45	AN3-7A							1		04-A	128
	41	AN960-10							1		04-A	128
	26	365-1032							1		04-A	128
	46	AN3-10A							1		04-A	128
	41	AN960-10							1		04-A	128
	26	365-1032							1		04-A	128
	48	87-03-917L							1		01-C	126HB
	87-03-917R							1		01-C	126HB	
25	AN3-4A							3		04-A	128	
41	AN960-10							6		04-A	128	
26	365-1032							3		04-A	128	
49	87-03-920L							1		01-C	126HB	
	87-03-920R							1		01-C	126HB	
25	AN3-4A							3		04-A	128	
41	AN960-10							6		04-A	128	
26	365-1032							3		04-A	128	

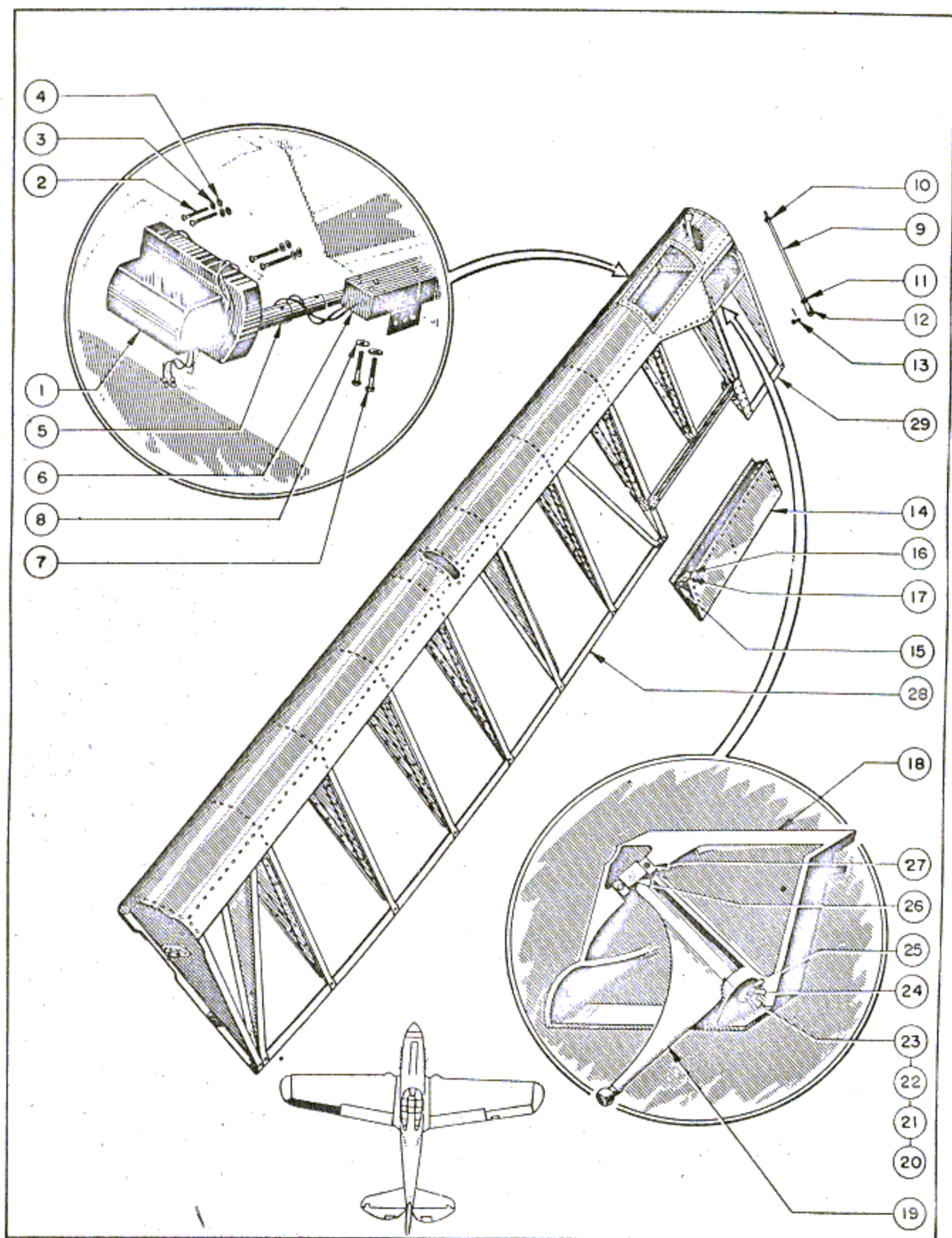


Figure 11—Aileron—Left Hand

RESTRICTED
T. O. No. 01-25C-4

SECTION II—GROUP ASSEMBLY PARTS LISTS

FIG. NO.	INDEX NO.	STOCKED	GROUP - WING						UNITS PER ASSY	PROPERTY CLASSIFICATION									
			MAJOR ASSEMBLY - AILERON							U.S. NAVY	U.S. ARMY	BRITISH							
			PART NUMBER	1	2	3	4	5					6	NOMENCLATURE					
10			87-05-501-200	Aileron Assembly						R.H. only	A - B	1		01-C	126HB				
			87-050-1000L	Aileron Assembly							L.H.	C - up	1		01-C	126HB			
			87-050-1000R	Aileron Assembly							R.H.	C - up	1		01-C	126HB			
			1	87-05-501-40	Trim Tab							R.H. only	A - B	1		01-C	126HB		
			1	75-05-001-40	Trim Tab								C - up	1		01-C	126HB		
			2	87-05-501-45L	Trailing Edge							L.H.	A - B	1		01-C	126HB		
				87-05-501-45R	Trailing Edge							R.H.	A - B	1		01-C	126HB		
				87-050-1000-45L	Trailing Edge							L.H.	C - up	1		01-C	126HB		
			2	87-050-1000-45R	Trailing Edge							R.H.	C - up	1		01-C	126HB		
			3	75-05-022	Bearing										1		01-C	126HB	
				4	AN3-5	Bolt									2		04-A	128	
				5	AN960-10	Washer									2		04-A	128	
			6	AN310-3	Nut									2		04-A	128		
			7	AN380-C2-2	Cotter Pin									2		29	128		
			8	AN201-K4-A	Bearing									1		29	128		
			9	AN24-24	Bolt									1		04-A	128		
			10	AN960-416	Washer									3		04-A	128		
			11	AN320-4	Nut									1		04-A	128		
			7	AN380-C2-2	Cotter Pin									1		29	128		
			12	87-05-015L	Support Assembly								L.H.		1		01-C	126HB	
				87-05-015R	Support Assembly								R.H.		1		01-C	126HB	
				87-05-015-1L	Support								L.H.		1		01-C	126HB	
				87-05-015-1R	Support								R.H.		1		01-C	126HB	
				13	87-05-016-21/36	Cap									1		01-C	126HB	
				14	AN3-14	Bolt									1		04-A	128	
				15	AN3-20	Bolt									1		04-A	128	
				5	AN960-10	Washer									1		04-A	128	
				6	AN310-3	Nut									2		29	128	
				7	AN380-C2-2	Cotter Pin									2		29	128	
				16	87-05-014	Arm Assembly										1		01-C	126HB
					87-05-013	Arm										1		01-C	126HB
			87-05-011-1		Bushing										1		01-C	126HB	
			8		AN201-K4-A	Bearing									4		29	128	
			18		87-05-011-2	Bushing									1		01-C	126HB	
			19		75-05-024	Bolt									1		01-C	126HB	
			20		87-05-012	Washer									2		01-C	126HB	
			10		AN960-416	Washer									1		04-A	128	
11	AN320-4	Nut										1		04-A	128				
7	AN380-C2-2	Cotter Pin										1		29	128				

FIG. NO.	INDEX NO.	STOCKED	GROUP - WING						UNITS PER ASSY	PROPERTY CLASSIFICATION							
			MAJOR ASSEMBLY - AILERON - LEFT HAND							U.S. NAVY	U.S. ARMY	BRITISH					
			PART NUMBER	1	2	3	4	5					6	NOMENCLATURE			
11			87-05-501-100	Aileron Assembly							L.H. only	A - B	1		01-C	126HB	
			87-05-003-24	Motor Drive - Trim Tab										1		01-C	105U
			2	AN520-10-18	Screw									4		29	128
			3	AN960-D10	Washer									4		04-A	128
			4	AN935-10	Lock Washer									4		04-A	128
			5	3265Y	Actuator (S.S. White Co.)									1		03-F	126HB
6	87-05-512	Switch Assembly									1		01-C	126HB			

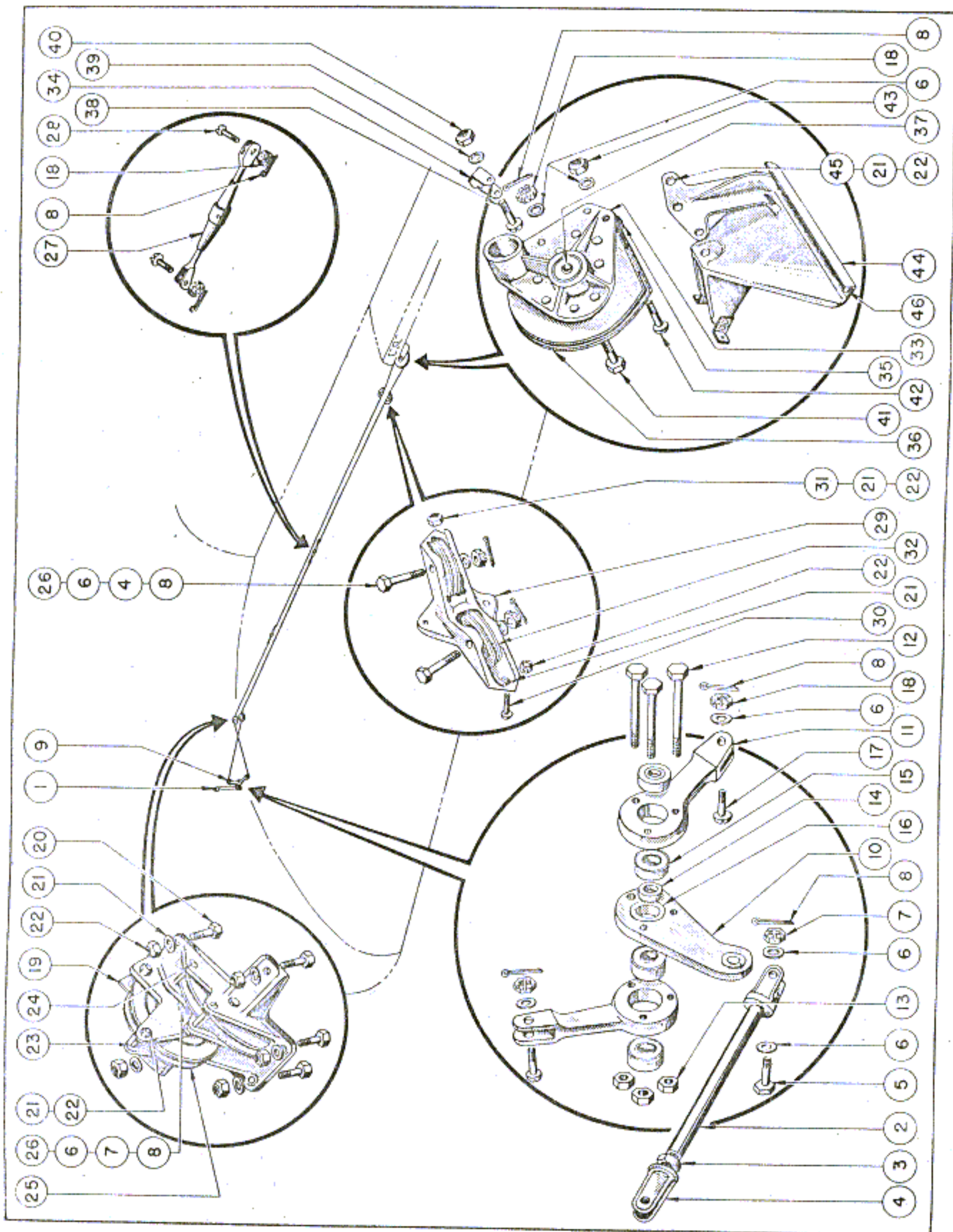


Figure 12—Aileron Controls

RESTRICTED
T. O. No. 01-25C-4

SECTION II—GROUP ASSEMBLY PARTS LISTS

FIG. NO.	INDEX NO.	STOCKED	GROUP - WING						UNITS PER ASSY	PROPERTY CLASSIFICATION			
			MAJOR ASSEMBLY - AILERON - LEFT HAND (Cont.)							U.S. NAVY	U.S. ARMY	BRITISH	
			PART NUMBER	1	2	3	4	5					6
11	7		AN3-4							2		04-A	128
	8		1075-DC-.051-.218 -.625							2		01-C	126HB
	9		87-05-037							1		01-C	126HB
	10		AN316-5R							1		04-A	128
	11		AN316-4R							1		04-A	128
	12		87-05-035							1		01-C	126HB
	13		EX38141-13							1		01-C	126HB
	14		87-05-035							1		01-C	126HB
	15		87-05-024							2		01-C	126HB
	16		AN501-10-8							2		29	128
	17		AN501-10-9							2		29	128
	18		87-05-015							1		01-C	126HB
	19		87-05-014							1		01-C	126HB
	20		87-05-013							1		01-C	126HB
	21		75-05-024							1		01-C	126HB
	22		AN960-416							1		01-C	128
	23		AN320-4							1		01-C	128
	24		AN380-C2-3							1		01-C	128
	25		87-05-011-1							1		01-C	128
	26		87-05-012							2		04-A	126HB
	27		87-05-011-2							1		04-A	126HB
	28		75-05-025							1		29	126HB
	29		87-05-501-99							1		01-C	126HB
	29		87-05-501-98							1		01-C	126HB
	FIG. NO.	INDEX NO.	STOCKED	GROUP - WING						UNITS PER ASSY	PROPERTY CLASSIFICATION		
				MAJOR ASSEMBLY - AILERON CONTROLS							U.S. NAVY	U.S. ARMY	BRITISH
				PART NUMBER	1	2	3	4	5				
	12			87-03-901L									01-C
			87-03-901R									01-C	126HB
			87-03-901-100L									01-C	126HB
			87-03-901-100R									01-C	126HB
			87-030-1000L									01-C	126HB
			87-030-1000R									01-C	126HB
			87-030-1000-100L									01-C	126HB
			87-030-1000-100R									01-C	126HB
			87-030-1000-200L									01-C	126HB
			87-030-1000-200R									01-C	126HB
			87-64-546L							1		01-C	126HB
			87-64-546R							1		01-C	126HB
1			75-64-066							1		01-C	126HB
2			87-64-911							1		01-C	126HB
3			AN316-6R							1		04-A	128
4		75-64-068							1		01-C	126HB	
5		AN4-12							1		04-A	128	
6		AN960-416							2		04-A	128	
7		AN310-4							1		04-A	128	
8		AN380-C2-2							1		29	128	

RESTRICTED
T. O. No. 01-25C-4

SECTION II—GROUP ASSEMBLY PARTS LISTS

FIG. NO.	INDEX NO.	S T O C K E D	GROUP - WING						UNITS PER ASSY	PROPERTY CLASSIFICATION		
			MAJOR ASSEMBLY - AILERON CONTROLS (Cont.)							U.S. NAVY	U.S. ARMY	BRITISH
			PART NUMBER	1	2	3	4	5				
12	9		87-64-044L						1		01-C	126HB
	10		87-64-044R						1		01-C	126HB
	11		75-64-014						1		01-C	126HB
	12		87-64-022						2		01-C	126HB
	13		AN3-14A						3		04-A	128
	14		AN315-3R						3		04-A	128
	15		AN200-KS-4						1		29	128
	16		AN201-K6-A						4		29	128
	17		75-64-016-1/2-.123						1		01-C	126HB
	6		AN24-13						2		04-A	128
	18		AN960-416						2		04-A	128
	8		AN320-4						2		04-A	128
	19		AN380-C2-2						2		29	128
	20		75-64-063L						1		01-C	128
	21		75-64-063R						1		01-C	126HB
	22		AN3-5						4		04-A	128
	23		AN960-10						4		04-A	128
	24		365-1032						4		04-A	128
	25		87-64-062-11/16						4		01-C	126HB
	26		AN23-21A						4		04-A	128
	27		AN960-10						4		04-A	128
	28		365-1032						4		04-A	128
	29		AN210-4A						2		04-A	128
	30		AN4-14						2		04-A	128
	31		AN960-416						4		04-A	128
	32		AN310-4						2		04-A	128
	33		AN380-C2-2						2		29	128
	34		AN150-32S						2		04-A	128
	35		AN24-12						4		04-A	128
	36		AN320-4						4		04-A	128
	37		AN380-C2-2						4		29	128
	38		87-64-034-10L						1		01-C	126HB
	39		87-64-034-10R						1		01-C	126HB
	40		75-64-047L						1		01-C	126HB
	41		75-64-047R						1		01-C	126HB
	42		525-10-10						3		29	128
	43		525-10-9						1		29	128
	44		AN960-10						4		04-A	128
	45		365-1032						4		04-A	128
	46		AN210-3A						2		04-A	128
	47		AN4-14						2		04-A	128
	48		AN960-416						4		04-A	128
	49		AN310-4						2		04-A	128
	50		AN380-C2-2						2		29	128
	51		87-64-033-1L						1		01-C	126HB
	52		87-64-033-1R						1		01-C	126HB
	53		75-64-025-1						1		01-C	126HB
	54		87-64-030L						1		01-C	126HB
	55		87-64-030R						1		01-C	126HB
	56		87-64-032L						1		01-C	126HB
	57		87-64-032R						1		01-C	126HB
	58		AN200-K4						2		29	128
	59		AN515-6-16						1		29	128
	60		1029-D-.375-.345						1		01-C	126HB
	61		365-632						1		04-A	128
	62		AN4-20						1		04-A	128
	63		AN960-416						1		04-A	128
	64		AN320-4						1		04-A	128
	65		AN380-C2-2						1		29	128

RESTRICTED
T. O. No. 01-25C-4

SECTION II—GROUP ASSEMBLY PARTS LISTS

FIG. NO.	INDEX NO.	STOCKED	GROUP - WING						UNITS PER ASSY	PROPERTY CLASSIFICATION			
			MAJOR ASSEMBLY - AILERON CONTROLS (Cont.)							U.S. NAVY	U.S. ARMY	BRITISH	
			PART NUMBER	1	2	3	4	5					6
12	42		AN24-16A							2		04-A	128
	6		AN960-416						Bolt	2		04-A	128
	43		364-428						Washer	2		04-A	128
	44		75-64-053L						Nut	2		04-A	128
			75-64-053R						Drum Support Assembly - L.H.	1		01-C	126HB
	45		AN23-8A						Drum Support Assembly - R.H.	1		01-C	126HB
	21		AN960-10						Clevis Bolt	2		04-A	128
	22		365-1032						Washer	2		04-A	128
	46		AN515-8-10						Nut	2		04-A	128
									Screw	2		29	128
										10			
FIG. NO.	INDEX NO.	STOCKED	GROUP - WING						UNITS PER ASSY	PROPERTY CLASSIFICATION			
			MAJOR ASSEMBLY - FLAP INSTALLATION							U.S. NAVY	U.S. ARMY	BRITISH	
			PART NUMBER	1	2	3	4	5					6
13			87-03-901L						Panel Assembly - L.H.	A		01-C	126HB
			87-03-901R						Panel Assembly - R.H.	A		01-C	126HB
			87-03-901-100L						Panel Assembly - L.H.	B		01-C	126HB
			87-03-901-100R						Panel Assembly - R.H.	B		01-C	126HB
			87-030-1000L						Panel Assembly - L.H.	C		01-C	126HB
			87-030-1000R						Panel Assembly - R.H.	C		01-C	126HB
			87-030-1000-100L						Panel Assembly - L.H.	D - J		01-C	126HB
			87-030-1000-100R						Panel Assembly - R.H.	D - J		01-C	126HB
			87-030-1000-200L						Panel Assembly - L.H.	K - up		01-C	126HB
			87-030-1000-200R						Panel Assembly - R.H.	K - up		01-C	126HB
		1		87-08-501L					Flap Assembly - L.H.		1	01-C	126HB
				87-08-501R					Flap Assembly - R.H.		1	01-C	126HB
		2		75-08-016					Hinge Pin		2	01-C	126HB
		3		75-08-024-5L					Hinge - L.H.		1	01-C	126HB
				75-08-024-5R					Hinge - R.H.		1	01-C	126HB
		4		75-08-024-6L					Hinge - L.H.		1	01-C	126HB
				75-08-024-6R					Hinge - R.H.		1	01-C	126HB
		5		75-08-013					Trunnion		5	01-C	126HB
		6		AN960-416					Washer		5	04-A	128
		7		AN310-4					Nut		5	04-A	128
		8		AN380-C2-2					Cotter Pin		5	29	128
		9		87-64-041L					Tube Assembly - L.H.		1	01-C	126HB
				87-64-041R					Tube Assembly - R.H.		1	01-C	126HB
		10		87-64-027L					Bell Crank Assembly - L.H.		1	01-C	126HB
				87-64-027R					Bell Crank Assembly - R.H.		1	01-C	126HB
		11		D-5					Bearing (Norma-Hoffman)		3	29	126HB
		12		87-64-027-1					Spacer		1	01-C	126HB
		13		AN200-K5					Bearing		1	29	128
		14		75-03-317					Bolt		1	01-C	126HB
		15		75-64-090-1					Link - Actuating Cylinder		2	01-C	126HB
	16		AN25-23					Clevis - Bolt		1	04-A	128	
	17		AN25-24					Clevis - Bolt		1	04-A	128	
	18		AN960-516L					Washer		3	04-A	128	
	19		AN960-516					Washer		2	04-A	128	
	20		AN320-5					Shear Nut		2	04-A	128	
	8		AN380-C2-2					Cotter Pin		2	29	128	

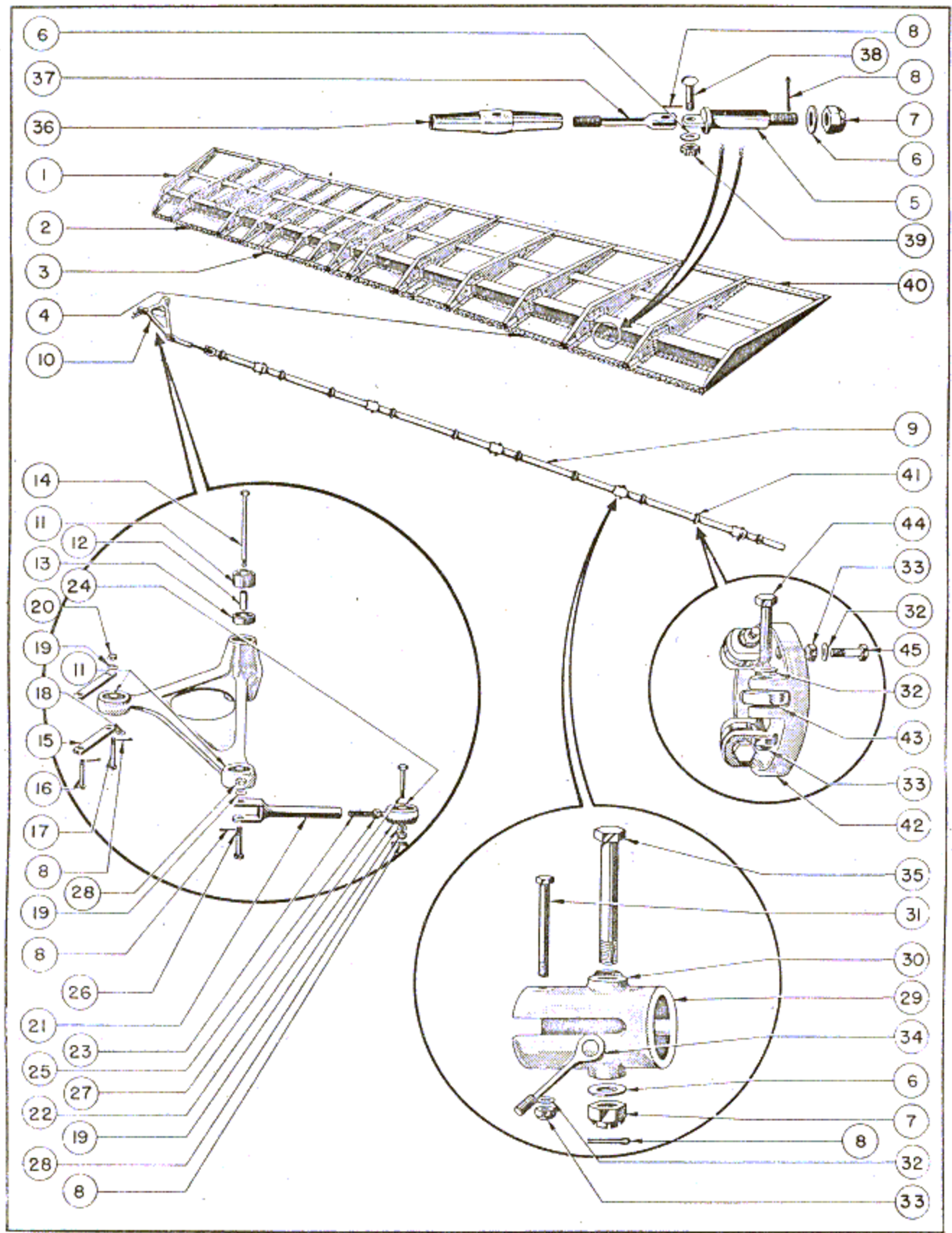


Figure 13—Flap Installation

SECTION II—GROUP ASSEMBLY PARTS LISTS

FIG. NO.	INDEX NO.	STOCK REF.	GROUP - WING						UNITS PER ASSY	PROPERTY CLASSIFICATION						
			MAJOR ASSEMBLY - FLAP INSTALLATION (Cont.)							U.S. NAVY	U.S. ARMY	BRITISH				
			PART NUMBER	1	2	3	4	5					6	NOMENCLATURE		
13	21		87-64-040							1		01-C	126HB			
	22		87-64-025							1		01-C	126HB			
	23		87-64-025-1							1		01-C	126HB			
	24		DS-5							1		29	126HB			
	25		AN316-6R							1		04-A	128			
	26		AN5-15							1		04-A	128			
	27		AN5-14							1		04-A	128			
	19		AN960-516							2		04-A	128			
	28		AN310-5							2		04-A	128			
	8		AN380-C2-2							2		29	128			
	29		75-64-058L							5		01-C	126HB			
			75-64-058R							5		01-C	126HB			
	30		75-64-059							1		01-C	126HB			
	31		AN3-16A							1		04-A	128			
	32		AN960-10							1		04-A	128			
	33		365-1032							1		04-A	128			
	34		AN165-32L							1		04-A	128			
	35		AN4-22							1		04-A	128			
	6		AN960-416							1		04-A	128			
	7		AN310-4							1		04-A	128			
	8		AN380-C2-2							1		29	128			
	36		75-64-061							1		01-C	126HB			
	37		161-32LS							1		04-A	126HB			
	38		AN24-12							1		04-A	128			
	6		AN960-416							1		04-A	128			
	39		AN320-4							1		04-A	128			
	8		AN380-02-2							1		29	128			
	40		87-03-826L							1		01-C	126HB			
			87-03-826R							1		01-C	126HB			
	41		84117							10		01-C	126HB			
	42		84116-1							1		01-C	126HB			
	43		AN200-K3L							3		29	128			
	44		AN3-10							3		04-A	128			
	32		AN960-10							3		04-A	128			
	33		365-1032							3		04-A	128			
	45		AN3-5							3		04-A	128			
	32		AN960-10							3		04-A	128			
	33		365-1032							3		04-A	128			
	14	1		GROUP - WING						UNITS PER ASSY	PROPERTY CLASSIFICATION					
				MAJOR ASSEMBLY - FLAP ACTUATING CYLINDER							U.S. NAVY	U.S. ARMY	BRITISH			
PART NUMBER				1	2	3	4	5	6					NOMENCLATURE		
87-06-901											Wing Erection	A			01-C	126HB
87-06-901-100											Wing Erection	B			01-C	126HB
87-000-1000											Wing Erection	C			01-C	126HB
87-000-1000-100											Wing Erection	D - J			01-C	126HB
87-000-1000-200											Wing Erection	K - up			01-C	126HB
87-64-004							Cylinder Assembly - Flap Actuating		1		01-C	126HB				
75-64-071							Cylinder		1		01-C	126HB				
75-64-072							Piston Assembly		1		01-C	126HB				

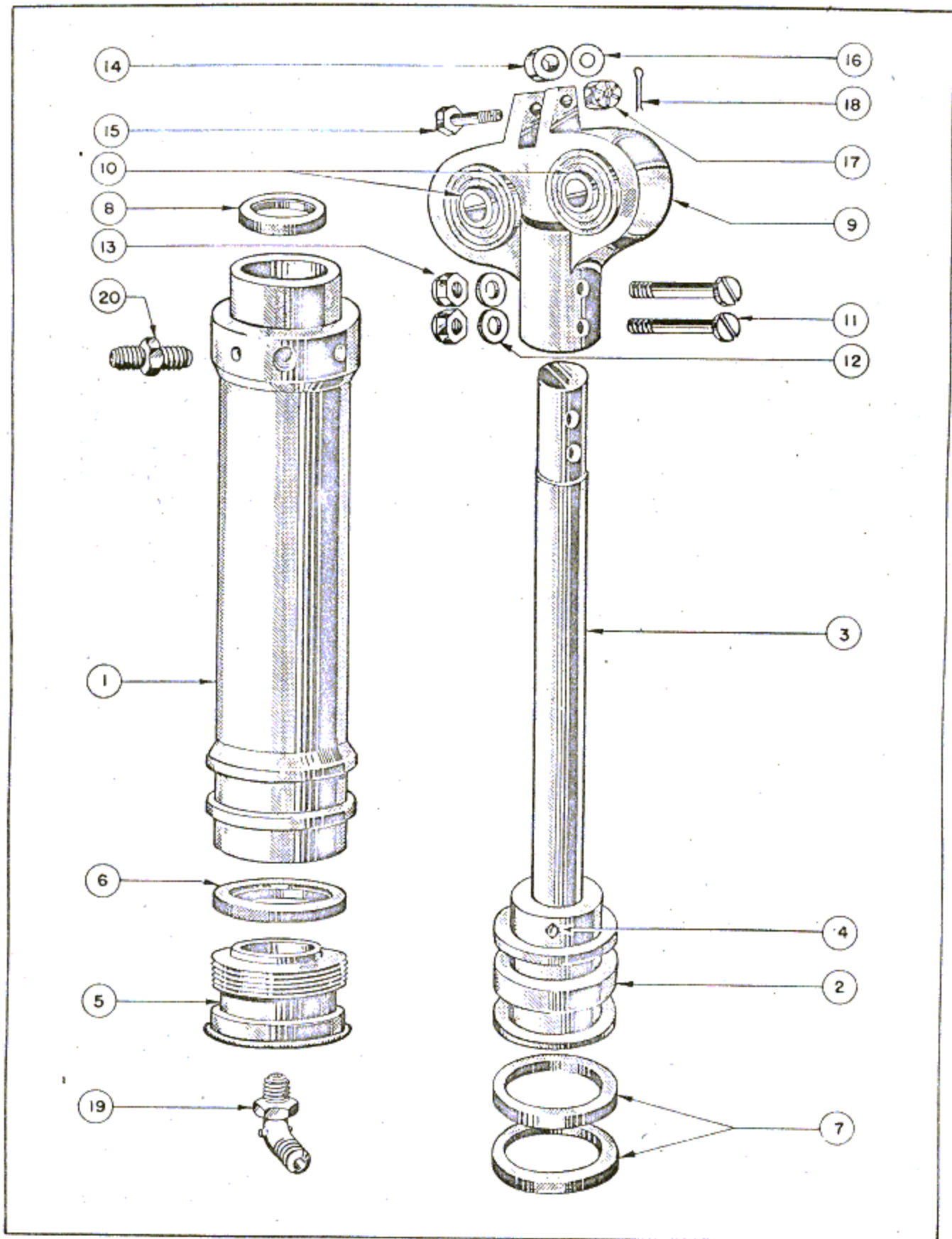


Figure 14—Flap Actuating Cylinder

RESTRICTED
T. O. No. 01-25C-4

SECTION II—GROUP ASSEMBLY PARTS LISTS

FIG. NO.	INDEX NO.	STOCK #	GROUP - WING						UNITS PER ASSY	PROPERTY CLASSIFICATION				
			MAJOR ASSEMBLY - FLAP ACTUATING CYLINDER (Cont.)							U.S. NAVY	U.S. ARMY	BRITISH		
			PART NUMBER	1	2	3	4	5					6	NOMENCLATURE
14	2		87-64-058						Piston	1		01-C	126HB	
	3		87-64-057						Shaft	1		01-C	126HB	
	4		1060D-1-19						Pin	1		01-C	126HB	
	5		75-64-073						Plug	1		01-C	126HB	
	6		99178						Cup-Packing (Continental Rubber)	1		01-C	126HB	
	7		99179						Cup-Packing (Continental Rubber)	1		01-C	126HB	
	8		99180						Cup-Packing (Continental Rubber)	2		01-C	126HB	
				87-64-024						End Assembly	1		01-C	126HB
	9		87-64-024-1						End	1		01-C	126HB	
	10		DS-5						Bearing (Norma-Hoffman)	1		01-C	126HB	
	11		AN23-23A						Bolt	2		29	126HB	
	12		AN960-D10						Washer	2		04-A	128	
	13		365-1032						Nut	2		04-A	128	
	14		201-K4-A						Bearing	2		04-A	128	
	15		AN24-15						Bolt	1		29	126HB	
	16		AN960-C416L						Washer	1		04-A	128	
	17		AN320-4						Nut	1		04-A	128	
	18		AN380-C2-3						Cotter Pin	1		29	128	
	19		75-33-101-CT45-5											
				-2330						Elbow	1		01-C	126HB
20		75-33-101-FT-5							Nipple	1		01-C	126HB	
			-2330											
15			87-06-704						Flap Position Indicator - L.H. only					
									B - up					
	1		87-03-797						Bellcrank Assembly	1		01-C	126HB	
	2		87-03-797-1						Weld Assembly	1		01-C	126HB	
	3		AN3-4						Bolt	1		01-C	126HB	
	4		AN960-A10						Washer	2		04-A	128	
	5		365-1032						Nut	2		04-A	128	
	6		87-03-790						Indicator Assembly	2		04-A	128	
	7		AN392-31						Pin	1		01-C	126HB	
	8		AN960-A4						Washer	1		04-A	128	
	9		AN380-C2-2						Cotter Pin	1		04-A	128	
	10		735-20						Clamp	1		29	128	
	11		AN515-8-8						Screw	2		04-A	128	
	12		AN960-8						Washer	2		29	128	
	13		AN340-8						Nut	2		04-A	128	
	14		AN161-16LS						Fork	2		29	128	
	15		AN155-16S						Parrel	1		04-A	128	
	16		AN165-16S						Eye	1		04-A	128	
	17		AN395-1						Pin	1		04-A	128	
	18		AN960-10						Washer	1		04-A	128	
19		AN380-C2-2						Cotter Pin	1		04-A	128		
20		AN392-25						Pin	1		29	128		
21		1028-D-.250-.219						Spacer	1		04-A	128		
22		AN960-A4						Washer	2		01-C	126HB		
23		AN380-C2-2						Cotter Pin	1		04-A	128		
24									1		29	128		

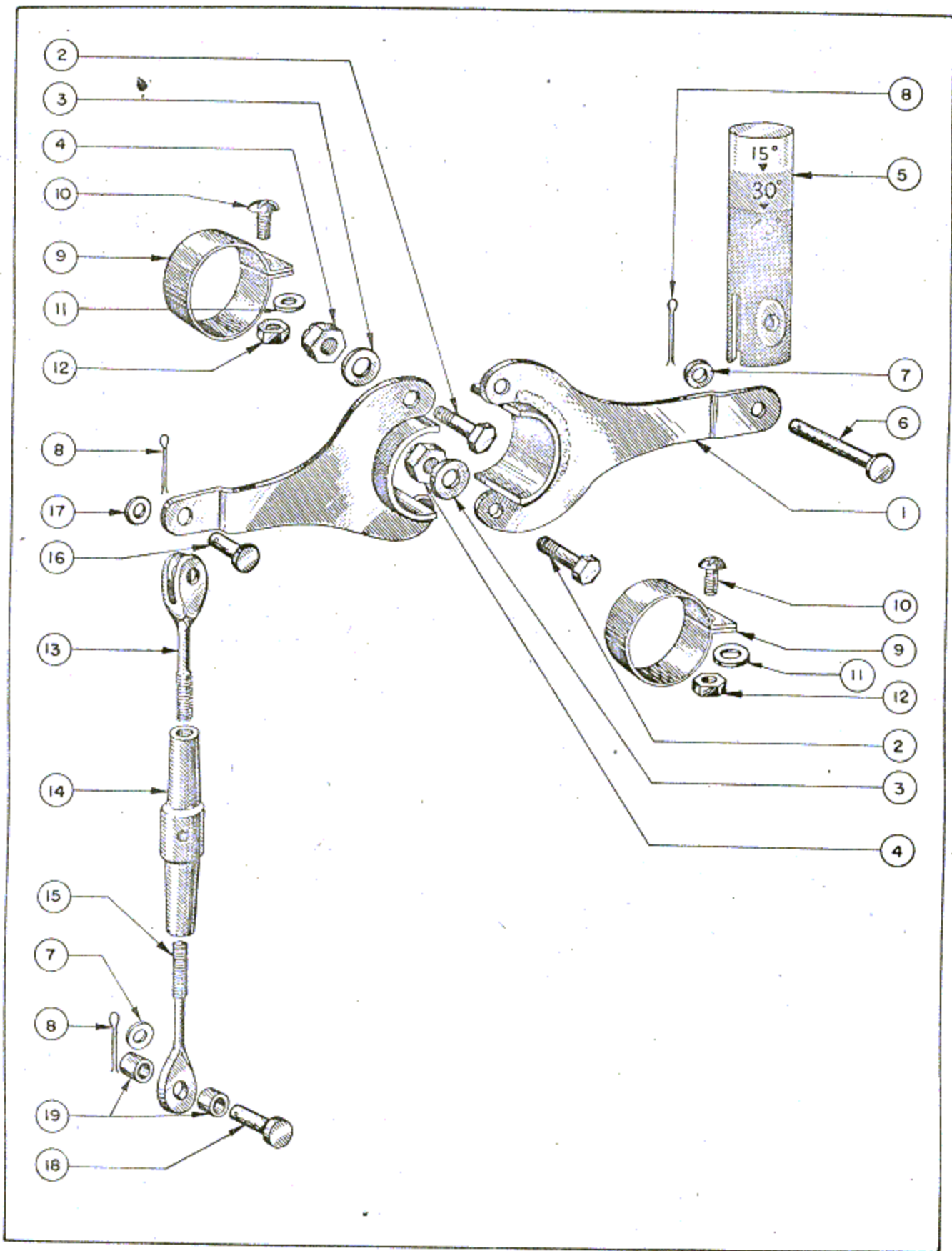


Figure 15—Flap Position Indicator

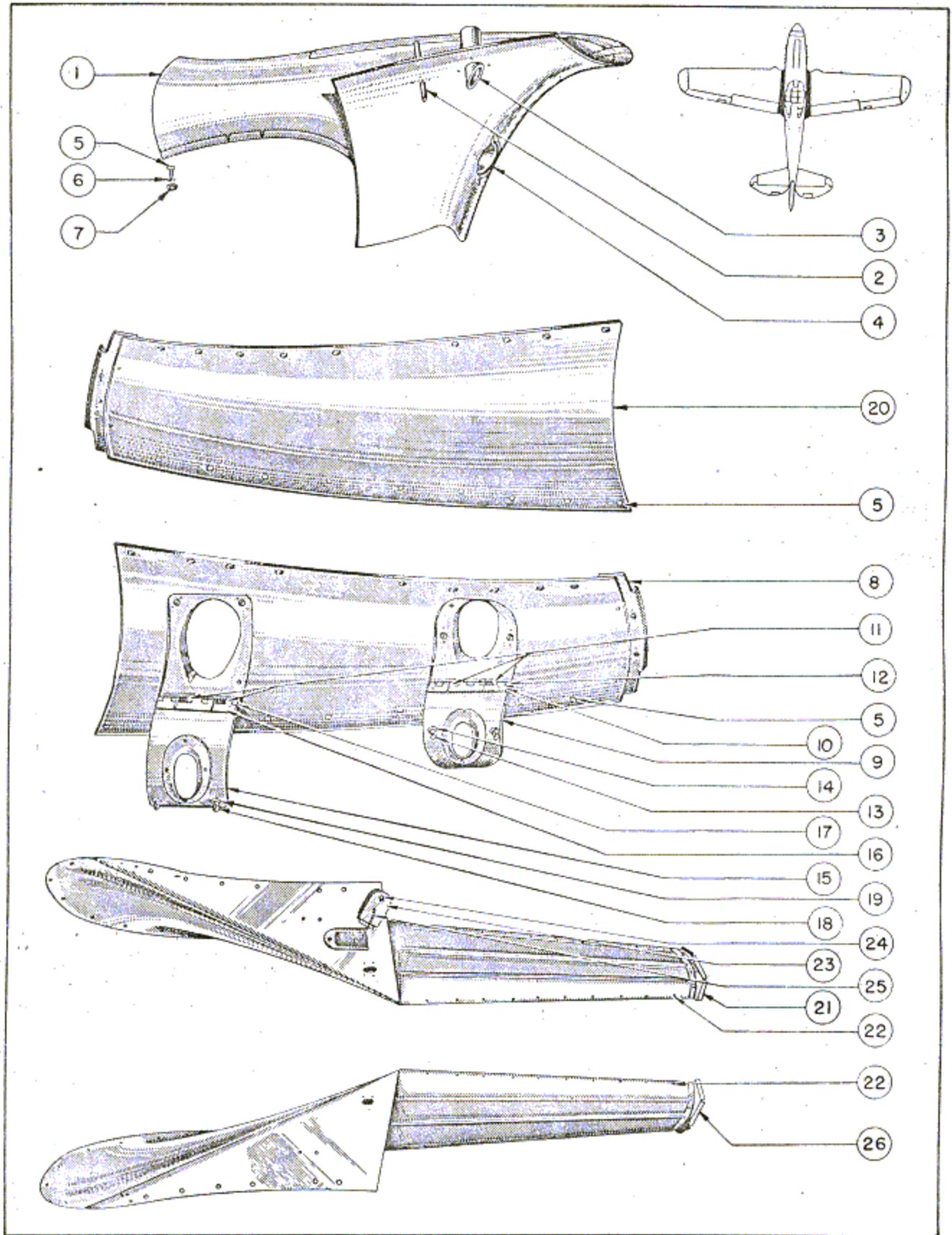


Figure 16—Wing Fillets

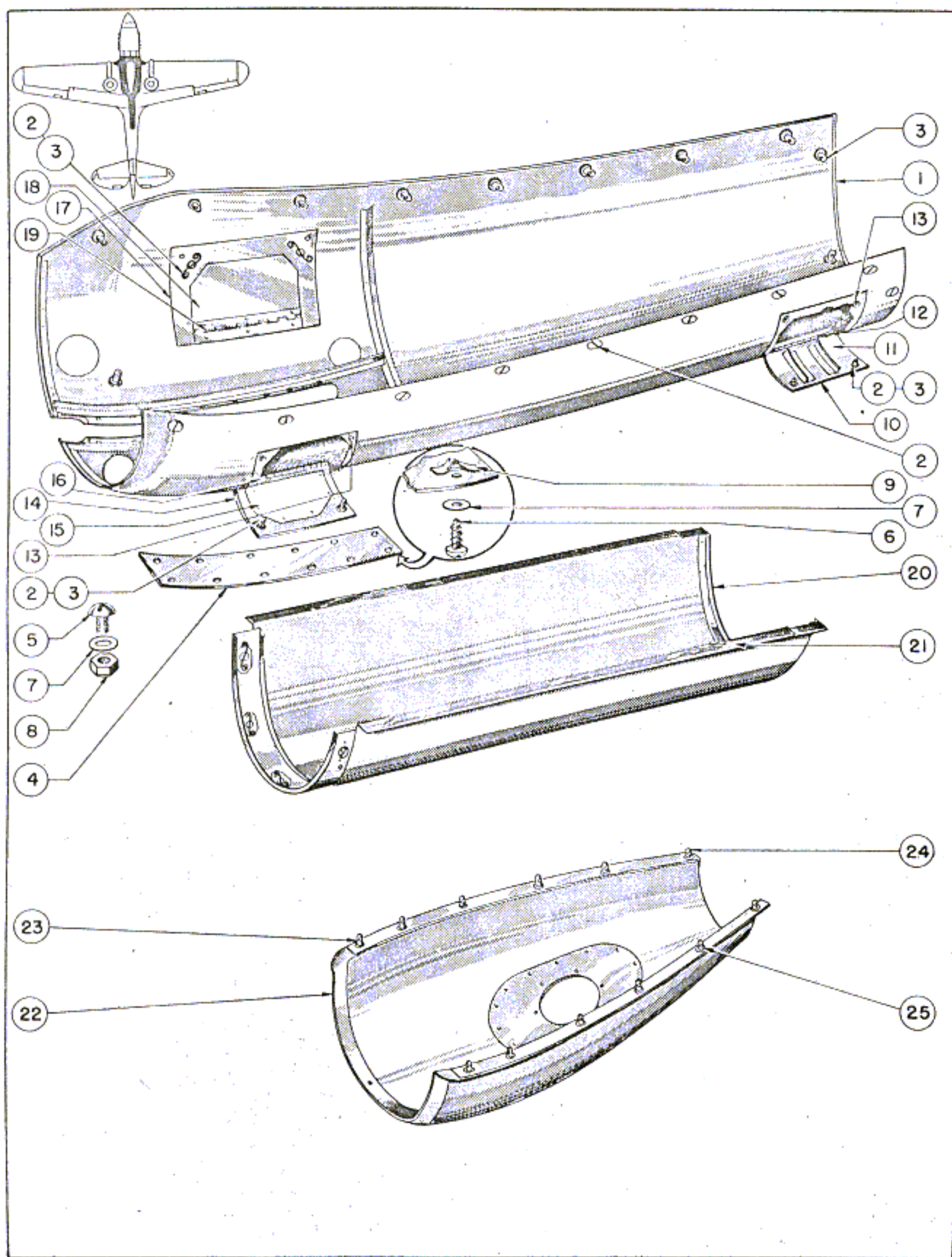


Figure 17—Keel Fairing

RESTRICTED
T. O. No. 01-25C-4

SECTION II—GROUP ASSEMBLY PARTS LISTS

FIG. NO.	INDEX NO.	STOCK KEY	GROUP - WING						UNITS PER ASSY	PROPERTY CLASSIFICATION					
			MAJOR ASSEMBLY - WING FILLET							U.S. NAVY	U.S. ARMY	BRITISH			
			PART NUMBER	1	2	3	4	5					6	NOMENCLATURE	
16			87-23-702-20	Cowl	Assembly					A-A.F.43-5461			01-C	126HB	
			87-23-703	Cowl	Assembly					A.F.43-5462-B			01-C	126HB	
			87-290-1001	Cowl	Assembly					C - I			01-C	126HB	
			87-290-1001-1	Cowl	Assembly					J			01-C	126HB	
			87-290-1001-2	Cowl	Assembly					K - up			01-C	126HB	
		1		87-06-705-10	Wing	Fillet - Front - L.H. only						1		01-C	126HB
		2		87-66-795	Scop	Assembly						1		01-C	126HB
		3		87-46-711	Scop	Assembly						1		01-C	126HB
		4		87-06-032L	Duct							1		01-C	126HB
		5		AN526-1032-10	Screw							29		29	128
				87-06-705	Wing	Fillet - Front - R.H. only						1		01-C	126HB
				87-06-032R	Duct							1		01-C	126HB
		5		AN526-1032-10	Screw							37		29	128
		6		AN960-10	Washer							2		04-A	128
		7		365-1032	Nut							2		04-A	128
		8		87-06-703	Wing	Fillet - Intermediate L.H. only						1		01-C	126HB
		9		87-06-532	Door	Assembly						1		01-C	126HB
		10		87-06-533	Hinge							1		01-C	126HB
		11		0153189-1	Spring							2		01-C	126HB
		12		1092-D-7.1875	Pin							1		01-C	126HB
		13		FA5-35	Fastener (Dzus)							2		04-A	27H
		14		GF5-175	Grommet (Dzus)							2		04-A	27H
		15		87-06-508	Door	Assembly						1		01-C	126HB
		16		87-06-026-1	Hinge							1		01-C	126HB
		11		0153189-1	Spring							2		01-C	126HB
		17		1092-D-6.125	Pin							1		01-C	126HB
	18		AFA-35	Fastener (Dzus)							2		04-A	27H	
	19		375-F	Grommet (Dzus)							2		04-A	27H	
	5		AN526-1032-10	Screw							25		29	128	
	20		87-06-503-1	Wing	Fillet - Intermediate R.H. only						1		01-C	126HB	
	5		AN526-1032-10	Screw							25		29	128	
	21		87-06-502L	Wing	Fillet - Rear L.H. only						1		01-C	126HB	
	22		AN526-1032-12	Screw							46		29	128	
	23		75-06-31-2	Door							1		01-C	126HB	
	24		87500-2	Fastener (Dzus)							1		01-C	27H	
	25		915DS-00-6	Chain							1		01-C	129	
	26		87-06-502R	Wing	Fillet - Rear R.H. only						1		01-C	126HB	
	22		AN526-1032-12	Screw							46		29	128	
FIG. NO.	INDEX NO.	STOCK KEY	GROUP - WING						UNITS PER ASSY	PROPERTY CLASSIFICATION					
			MAJOR ASSEMBLY - KEEL FAIRING							U.S. NAVY	U.S. ARMY	BRITISH			
			PART NUMBER	1	2	3	4	5					6	NOMENCLATURE	
17	1		87-23-504	Keel	Fairing - Forward						1		01-C	126HB	
	1		87-090-1000	Keel	Fairing - Forward						1		01-C	126HB	
	2		FA6-1/2-45	Fastener (Dzus)							22		04-A	27H	
	2		FA6-1/2-55	Fastener (Dzus)							22		04-A	27H	
	3		GF6-1/2-187	Grommet (Dzus)							22		04-A	27H	

RESTRICTED

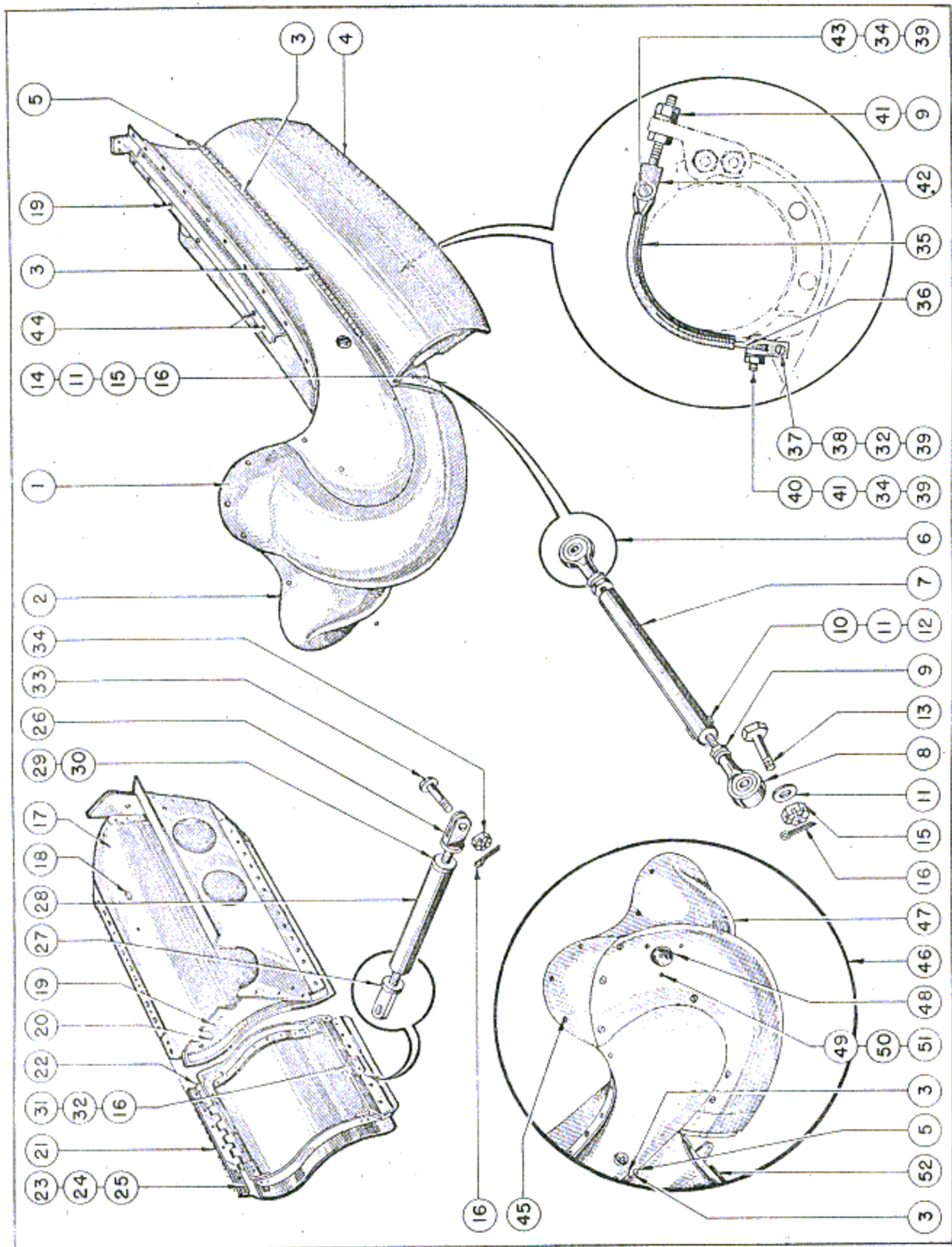


Figure 18—Landing Gear Fairing

RESTRICTED
T. O. No. 01-25C-4

SECTION II—GROUP ASSEMBLY PARTS LISTS

FIG. NO.	INDEX NO.	STOCK KEY	GROUP - WING						UNITS PER ASSY	PROPERTY CLASSIFICATION				
			MAJOR ASSEMBLY - KEEL FAIRING (Cont.)							U.S. NAVY	U.S. ARMY	BRITISH		
			PART NUMBER	1	2	3	4	5					6	NOMENCLATURE
17	4		87-23-504-8						Cover	A - B	1		01-C	126HB
	4		87-090-1000-8						Cover	C - up	1		01-C	126HB
	5		AN526-1032-6						Screw	A - A.C.42-106428	12		29	128
	6		530-10-8						Screw	A.C.43-22752-up	12		29	128
	7		AN960-D-10						Washer	A - up	12		04-A	128
	8		365-1032						Nut	A - A.C.42-106428	12		04-A	128
	9		1779-M-1						Speed Nut	(1123-D)5A.C.43-22752-up	12		04-A	126HB
	10		87-23-511						Door Installation	A - up	1		01-C	126HB
	11		75-23-012						Door		1		01-C	126HB
	12		87-23-511-4						Hinge Assembly		1		01-C	126HB
	2		FA6-1/2-45						Fastener (Dzus)		2		04-A	27H
	3		GF6-1/2-187						Grommet (Dzus)		2		04-A	27H
	13		S6-425						Spring (Dzus)		2		04-A	27H
	14		87-23-712						Door Installation	A - up	1		01-C	126HB
	15		87-23-711-2						Door		1		01-C	126HB
	16		87-23-712-2						Hinge Assembly		1		01-C	126HB
	2		FA6-1/2-45						Fastener (Dzus)		2		04-A	27H
	3		GF6-1/2-187						Grommet (Dzus)		2		04-A	27H
	13		S6-425						Spring (Dzus)		2		04-A	27H
	17		87-090-1011						Door Installation	C - up	1		01-C	126HB
	18		87-090-1012						Door		1		01-C	126HB
	19		87-090-1011-1						Hinge Assembly		1		01-C	126HB
	2		FA6-1/2-45						Fastener (Dzus)		2		04-A	27H
	3		GF6-1/2-187						Grommet (Dzus)		2		04-A	27H
	20		87-23-503-10						Keel Fairing - Intermediate	A - up	1		01-C	126HB
21		AN526-832-10						Screw		14		29	128	
22		87-23-502-10						Keel Fairing - Aft	A - up	1		01-C	126HB	
23		FA5-65						Fastener (Dzus)		2		04-A	27H	
24		FA5-45						Fastener (Dzus)		10		04-A	27H	
25		375-F						Grommet (Dzus)		12		04-A	27H	
FIG. NO.	INDEX NO.	STOCK KEY	GROUP - WING						UNITS PER ASSY	PROPERTY CLASSIFICATION				
			MAJOR ASSEMBLY - LANDING GEAR FAIRING							U.S. NAVY	U.S. ARMY	BRITISH		
			PART NUMBER	1	2	3	4	5					6	NOMENCLATURE
18			87-23-702-20						Cowl Assembly	A - A.F.43-5461			01-C	126HB
			87-23-703						Cowl Assembly	A.F.43-5462 - B			01-C	126HB
			87-290-1001						Cowl Assembly	C - I			01-C	126HB
			87-290-1001-1						Cowl Assembly	J			01-C	126HB
			87-290-1001-2						Cowl Assembly	K - up			01-C	126HB
	1		87-34-501L						Landing Gear Fairing Assembly		1		01-C	126HB
	2		87-34-504L						Side Assembly		1		01-C	126HB
	3		87-34-512						Hinge		1		01-C	126HB
	4		87-34-506L						Door Assembly		1		01-C	126HB
	3		87-34-512						Hinge		1		01-C	126HB
	5		87-34-515						Hinge Pin		1		01-C	126HB
	6		87-34-016						Spring Strut Assembly		1		01-C	126HB
	7		87-34-018						Cylinder Assembly		1		01-C	126HB
8		REB3N						Rod End (Fafnir)		2		04-A	126HB	
9		AN315-4R						Check Nut		2		04-A	128	

RESTRICTED

RESTRICTED
T. O. No. 01-25C-4

SECTION II—GROUP ASSEMBLY PARTS LISTS

FIG. NO.	INDEX NO.	STOCKED	GROUP - WING						UNITS PER ASSY	PROPERTY CLASSIFICATION			
			MAJOR ASSEMBLY - LANDING GEAR FAIRING (Cont.)							U.S. NAVY	U.S. ARMY	BRITISH	
			PART NUMBER	1	2	3	4	5					6
18	10		AN23-15A						1		04-A	128	
	11		AN960-10					Bolt	1		04-A	128	
	12		364-1032					Washer	1		04-A	128	
	13		AN3-11					Nut	1		04-A	128	
	14		AN23-15					Bolt	1		04-A	128	
	11		AN960-10					Bolt	2		04-A	128	
	15		AN320-3					Washer	2		04-A	128	
	16		AN380-2-2					Nut	2		04-A	128	
									Cotter Pin	2	29		128
	17		87-34-505L						Cowl Assembly	1		01-C	126HB
	18		AN931-4-7						Grommet	1		04B	128
	19		AN526-1032-10						Screw	2		29	128
	20		AN526-1032-12						Screw	3		29	128
	21		87-34-507L						Door Assembly	1		01-C	126HB
	22		87-34-026						Hinge Assembly	1		01-C	126HB
	23		AN526-832-10						Screw	9		29	128
	24		AN960-8						Washer	9		04-A	128
	25		365-832						Nut	9		04-A	128
	26		87-34-035						Fork	1		01-C	126HB
	27		87-34-036						Eyebolt	1		01-C	126HB
	28		87-34-037						Barrel	1		01-C	126HB
	29		75-37-045						Universal	1		01-C	126HB
	30		87-34-538						Bushing	1		01-C	126HB
	31		AN23-11						Bolt	1		04-A	128
	32		AN320-3						Nut	1		04-A	128
	33		AN23-12						Bolt	1		04-A	128
	34		AN320-4						Nut	1		04-A	128
	16		AN380-2-2						Cotter Pin	2		29	128
	35		87-34-526-2						Cable Assembly	1		01-C	126HB
	36		87-34-527						Universal	1		01-C	126HB
	37		AN23-14						Bolt	1		04-A	128
	38		AN960-D10						Washer	1		04-A	128
	32		AN320-3						Nut	1		04-A	128
	39		AN380C2-2						Cotter Pin	1		29	128
	40		AN24-14						Bolt	1		04-A	128
	41		AN960-D416						Washer	1		04-A	128
	34		AN320-4						Nut	1		04-A	128
	39		AN380C2-2						Cotter Pin	1		29	128
	42		87-34-529						Fork	1		01-C	126HB
	41		AN960-D416						Washer	1		04-A	128
	9		AN315-4R						Nut	1		04-A	128
	43		AN24-12						Bolt	1		04-A	128
	34		AN320-4						Nut	1		04-A	128
	39		AN380C2-2						Cotter Pin	1		29	128
	19		AN526-1032-10						Screw	32		29	128
	20		AN526-1032-12						Screw	2		29	128
	44		AC525-10-12						Screw	1		29	128
	45		AC525-10-14						Screw	7		29	128
	46		87-34-917						Landing Gear Fairing Assembly	1		01-C	126HB
	47		87-34-916						Side Assembly	1		01-C	126HB
	3		87-34-512						Hinge	1		01-C	126HB
48		87-34-918						Window	1		01-C	126HB	
49		AN526-832-7						Screw	3		29	128	
50		AN960-D8						Washer	3		04-A	128	
51		365-832						Nut	3		04-A	128	
52		87-34-506R						Door Assembly	1		01-C	126HB	
3		87-34-512						Hinge	1		01-C	126HB	
5		87-34-515						Hinge Pin	1		01-C	126HB	

SECTION II—GROUP ASSEMBLY PARTS LISTS

FIG. NO.	INDEX NO.	STOCK #	GROUP- WING						UNITS PER ASSY	PROPERTY CLASSIFICATION			
			MAJOR ASSEMBLY - LANDING GEAR FAIRING (Cont.)							U.S. NAVY	U.S. ARMY	BRITISH	
			PART NUMBER	1	2	3	4	5					6
18	6		87-34-016						1		01-C	126HB	
	7		87-34-018						1		01-C	126HB	
	8		RFB3N						2		04-A	126HB	
	9		AN315-4R						2		04-A	128	
	10		AN23-15A						1		04-A	128	
	11		AN960-10						1		04-A	128	
	12		364-1032						1		04-A	128	
	13		AN3-11						1		04-A	128	
	14		AN23-15						1		04-A	128	
	11		AN960-10						2		04-A	128	
	15		AN320-3						2		04-A	128	
	16		AN380-2-2						2		29	128	
				87-34-505R						1		01-C	126HB
	19			AN526-1032-10						2		29	128
	20			AN526-1032-12						3		29	128
				87-34-507R						1		01-C	126HB
	22			87-34-026						1		01-C	126HB
	23			AN526-832-10						9		29	128
	24			AN960-8						9		04-A	128
	25			365-832						9		04-A	128
	26			87-34-035						1		01-C	126HB
	27			87-34-036						1		01-C	126HB
	28			87-34-037						1		01-C	126HB
	29			75-37-045						1		01-C	126HB
	30			87-34-538						1		01-C	126HB
	31			AN23-11						1		04-A	128
	32			AN320-3						1		04-A	128
	33			AN23-12						1		04-A	128
	34			AN320-4						1		04-A	128
	16			AN380-2-2						2		29	128
	35			87-34-526-2						1		01-C	126HB
	36			87-34-527						1		01-C	126HB
	37			AN23-14						1		04-A	128
	38			AN960-D10						1		04-A	128
	32			AN320-3						1		04-A	128
	39			AN380C2-2						1		29	128
	40			AN24-14						1		04-A	128
	41			AN960-D416						1		04-A	128
	34			AN320-4						1		04-A	128
	39			AN380C2-2						1		29	128
	42			87-34-529						1		01-C	126HB
	41			AN960-D416						1		04-A	128
	9			AN315-4R						1		04-A	128
	43			AN24-12						1		04-A	128
	34			AN320-4						1		04-A	128
	39			AN380C2-2						1		29	128
	19			AN526-1032-10					Screw	32		29	128
	20			AN526-1032-12					Screw	2		29	128
	44			AC525-10-12					Screw	1		29	128
	45			AC525-10-14					Screw	7		29	128

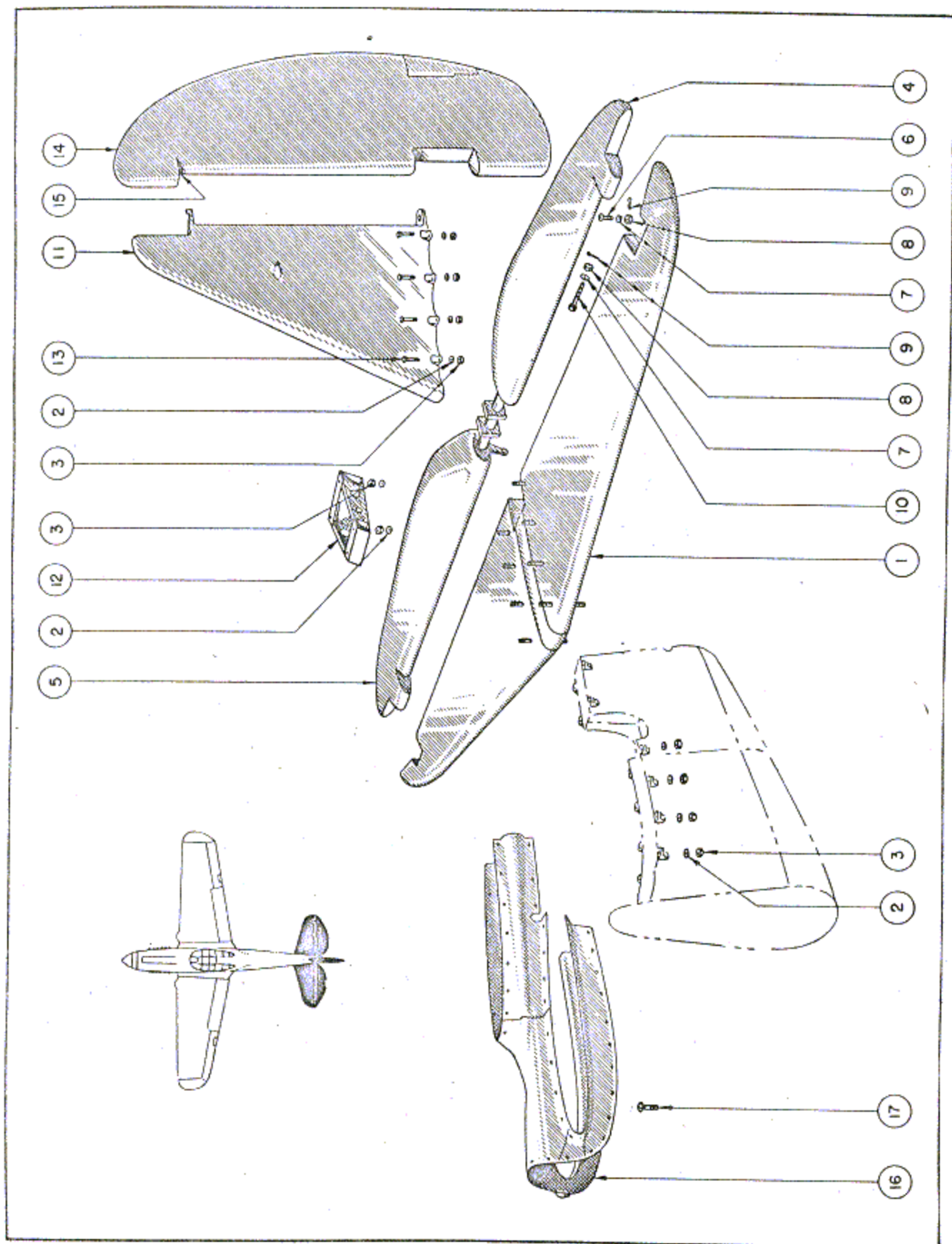


Figure 19—Tail Erection

SECTION II—GROUP ASSEMBLY PARTS LISTS

FIG. NO.	INDEX NO.	STOCKED	GROUP - TAIL						UNITS PER ASSY	PROPERTY CLASSIFICATION		
			MAJOR ASSEMBLY - TAIL ERECTION							U.S. NAVY	U.S. ARMY	BRITISH
			PART NUMBER	1	2	3	4	5				
19	1	87-15-503	Tail Erection						1		01-C	126HB
	2	87-11-501	Stabilizer						1		01-C	126HB
	3	AN960-616	Washer						8		04-A	128
	3	365-624	Nut						8		04-A	128
	4	87-13-901L	Elevator						1		01-C	126HB
	5	87-13-901R	Elevator						1		01-C	126HB
	6	AN4-17	Bolt						2		04-A	128
	7	AN960-416	Washer						2		04-A	128
	8	AN310-4	Nut						2		04-A	128
	9	AN380-C2-2	Cotter Pin						2		29	128
	10	AN4-20	Bolt						2		04-A	128
	7	AN960-416	Washer						2		04-A	128
	8	AN310-4	Nut						2		04-A	128
	9	AN380-C2-2	Cotter Pin						2		29	128
	11	87-12-501	Fin						1		01-C	126HB
	12	87-15-914	Fitting						1		01-C	126HB
	2	AN960-616	Washer						4		04-A	128
3	365-624	Nut						4		04-A	128	
13	AN6-11A	Bolt						8		04-A	128	
2	AN960-616	Washer						8		04-A	128	
3	365-624	Nut						8		04-A	128	
14	87-14-606	Rudder						1		01-C	126HB	
15	65640-1-3/8-2-1/8H	Bolt						1		01-C	126HB	
16	87-15-905	Fairing						1		01-C	126HB	
17	AN526-1032-10	Screw						66		29	128	
20			GROUP - TAIL						UNITS PER ASSY	PROPERTY CLASSIFICATION		
			MAJOR ASSEMBLY - FIN							U.S. NAVY	U.S. ARMY	BRITISH
			PART NUMBER	1	2	3	4	5				
1	87-12-501	Fin Assembly							1		01-C	126HB
2	75-12-024	Hinge Assembly							1		01-C	126HB
2	75-12-024-1	Cap							1		01-C	126HB
3	75-12-024-2	Hinge							1		01-C	126HB
4	75-21-156	Stud							2		01-C	126HB
4	AN960-416	Washer							2		04-A	128
5	AN310-4	Nut							2		04-A	128
6	75-12-012	Hinge Assembly							1		01-C	126HB
7	75-12-012-1	Hinge							1		01-C	126HB
8	AN201-K4A	Bearing (Fafnir)							1		29	128
8	75-12-013	Fitting							1		01-C	126HB
9	AN4-6A	Bolt							4		04-A	128
4	AN960-416	Washer							8		04-A	128
10	365-428	Nut							4		04-A	128
11	AN3-7A	Bolt							4		04-A	128
12	AN960-10	Washer							8		04-A	128
13	365-1032	Nut							4		04-A	128

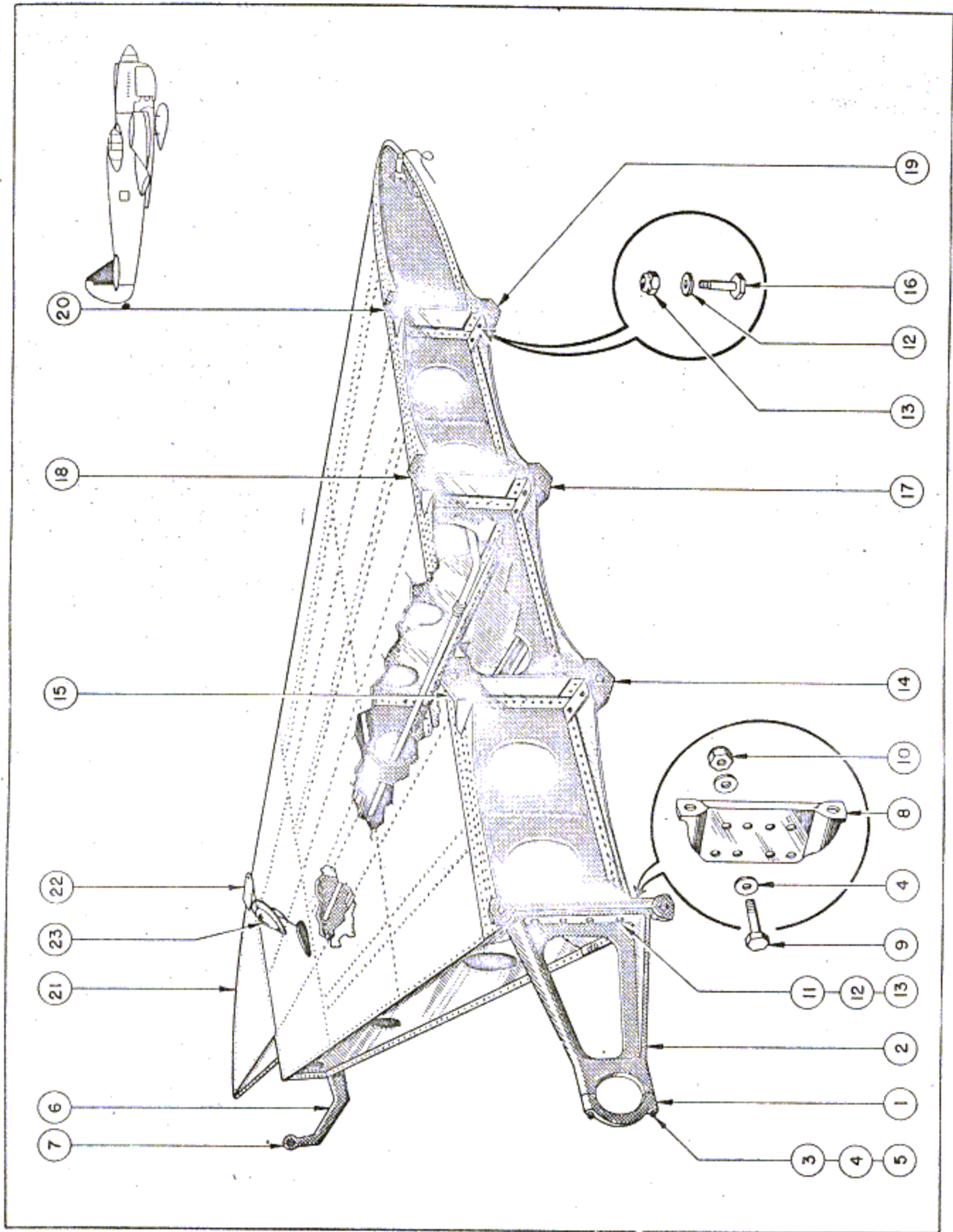


Figure 20—Fin

SECTION II—GROUP ASSEMBLY PARTS LISTS

FIG. NO.	INDEX NO.	SYMBOL CODE	GROUP - TAIL						UNITS PER ASSY	PROPERTY CLASSIFICATION				
			MAJOR ASSEMBLY - PIN (Cont.)							U.S. NAVY	U.S. ARMY	BRITISH		
			PART NUMBER	1	2	3	4	5					6	NOMENCLATURE
20	14		75-12-021							1		01-C	126HB	
	15		75-12-022							1		01-C	126HB	
	16		AN3-5A							4		04-A	128	
	12		AN960-10							4		04-A	128	
	13		365-1032							4		04-A	128	
	17		75-12-020							1		01-C	126HB	
	18		75-12-023							1		01-C	126HB	
	16		AN3-5A							4		04-A	128	
	12		AN960-10							4		04-A	128	
	13		365-1032							4		04-A	128	
	19		75-12-014-L							1		01-C	126HB	
	20		75-12-015							1		01-C	126HB	
	16		AN3-5A							4		04-A	128	
	12		AN960-10							4		04-A	128	
	13		365-1032							4		04-A	128	
	21		87-12-517							1		01-C	126HB	
	22		87-12-517-5							1		01-C	126HB	
	23		37B4962-5							2		03-C	105C	
	FIG. NO.	INDEX NO.	SYMBOL CODE	GROUP - TAIL						UNITS PER ASSY	PROPERTY CLASSIFICATION			
				MAJOR ASSEMBLY - RUDDER							U.S. NAVY	U.S. ARMY	BRITISH	
				PART NUMBER	1	2	3	4	5					6
	21	1		87-14-606									01-C	126HB
2			87-14-606-3							1		01-C	126HB	
		2		87-14-016						1		01-C	126HB	
		3		75-14-019						2		01-C	126HB	
		4		87-14-602						1		01-C	126HB	
		5		75-14-022						2		01-C	126HB	
		6		87-14-549						1		01-C	126HB	
		7		67-14-549-1						1		01-C	126HB	
		8		1001-D-4-.250						1		01-C	126HB	
		9		87-14-558						1		01-C	126HB	
		10		75-14-012-5						1		01-C	126HB	
		11		87-14-017-1						1		01-C	126HB	
		12		75-14-015-9						1		01-C	126HB	
		13		75-14-015-12						1		01-C	126HB	
		14		75-14-015-20						1		01-C	126HB	
		15		75-14-034						1		01-C	126HB	
		16		AN526-832-7						19		29	128	
		17		AN526-832-8						9		29	128	
		18		87-14-561						1		01-C	126HB	
		17		AN526-832-8						10		29	128	
	19		59016-4						1		01-C	126HB		
	20		59039-9						1		01-C	126HB		

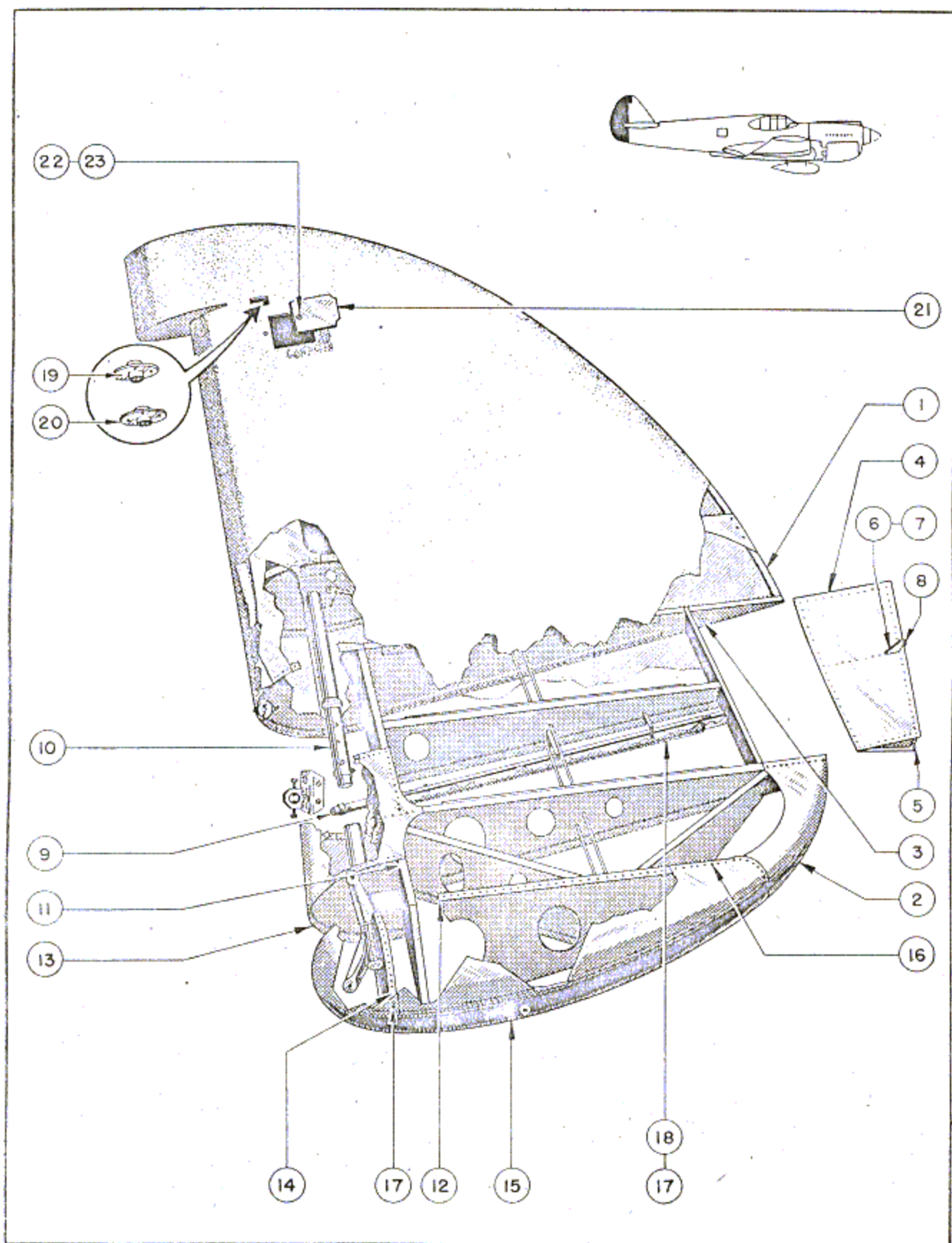


Figure 21—Rudder

RESTRICTED

T. O. No. 01-25C-4

SECTION II—GROUP ASSEMBLY PARTS LISTS

FIG. NO.	INDEX NO.	STOCK #	GROUP - TAIL						UNITS PER ASSY	PROPERTY CLASSIFICATION		
			MAJOR ASSEMBLY - RUDDER (Cont.)							U.S. NAVY	U.S. ARMY	BRITISH
			PART NUMBER	1	2	3	4	5				
21	21		75-14-013-1						1			
	22		EX39077-2					Cover Assembly	1		01-C	126HB
	23		EX39077-1					Grommet Stud	1 1		01-C 01-C	126HB 126HB
FIG. NO.	INDEX NO.	STOCK #	GROUP - TAIL						UNITS PER ASSY	PROPERTY CLASSIFICATION		
			MAJOR ASSEMBLY - RUDDER TORQUE TUBE AND TRIM TAB TUBE							U.S. NAVY	U.S. ARMY	BRITISH
			PART NUMBER	1	2	3	4	5				
22			87-14-606									
			87-14-558					Rudder Assembly				
	1		87-14-558-2					Tube Assembly - Tab Control A - up	1		01-C	126HB
	2		AN490-6					Tube	1		01-C	126HB
	3		AN316-4R					Rod End	1		01-C	126HB
	4		AN486-1					Nut	1		04-A	128
								Clevis	1		04-A	128
	5		84-05-552					Rod	1		04-A	128
	6		AN316-5R					Nut	1		01-C	126HB
	7		3265Y					Actuator (S.S. White)	1		04-A	128
	8		AN380C2-3					Cotter Pin	1		03-F	126HB
									1		29	128
	9		EX38141-17					Pin	1		01-C	126HB
	10		AN380C2-2					Cotter Pin	1		29	128
	11		87-14-941					Block	1		01-C	126HB
	12		87-13-020					Bolt	1		01-C	126HB
	13		364-428					Nut	2		01-C	126HB
	14		501-10-8					Screw	2		04-A	128
	15		87-14-940					Bracket	4		29	128
	16		AN24-29					Bolt	1		01-C	126HB
	17		AN960-416					Washer	2		04-A	128
	18		AN320-4					Nut	4		04-A	128
	19		AN380C2-2					Cotter Pin	2		04-A	128
									2		29	128
	19		75-14-012-5					Torque Tube Assembly	1		01-C	126HB
	20		75-14-032					Torque Tube - Upper	1		01-C	126HB
	17		AN24-27					Bolt	2		04-A	128
	18		AN960-416					Washer	2		04-A	128
	19		AN320-4					Nut	2		04-A	128
	10		AN380C2-2					Cotter Pin	2		04-A	128
	21		75-14-027-7					Weld Assembly - Center	2		29	128
22		87-14-942-1					Washer	1		01-C	126HB	
23		87-14-943-1					Washer	2		01-C	126HB	
24		75-14-026-1					Washer	2		01-C	126HB	
25		A512					Washer	2		01-C	126HB	
26		AN24-30					Bearing (59450-1)	1		29	126HB	
17		AN960-416					Bolt	1		04-A	128	
18		AN320-4					Washer	3		04-A	128	
10		AN380C2-2					Nut	1		04-A	128	
27		75-14-033					Cotter Pin	1		29	128	
28		75-14-011					Torque Tube - Horn	1		01-C	126HB	
29		87-14-942-2					Horn	1		01-C	126HB	
30		87-14-943-2					Washer	1		01-C	126HB	
31		75-14-026-2					Washer	1		01-C	126HB	
25		A512					Washer	1		01-C	126HB	
							Bearing (59450-1)	1		29	126HB	

RESTRICTED

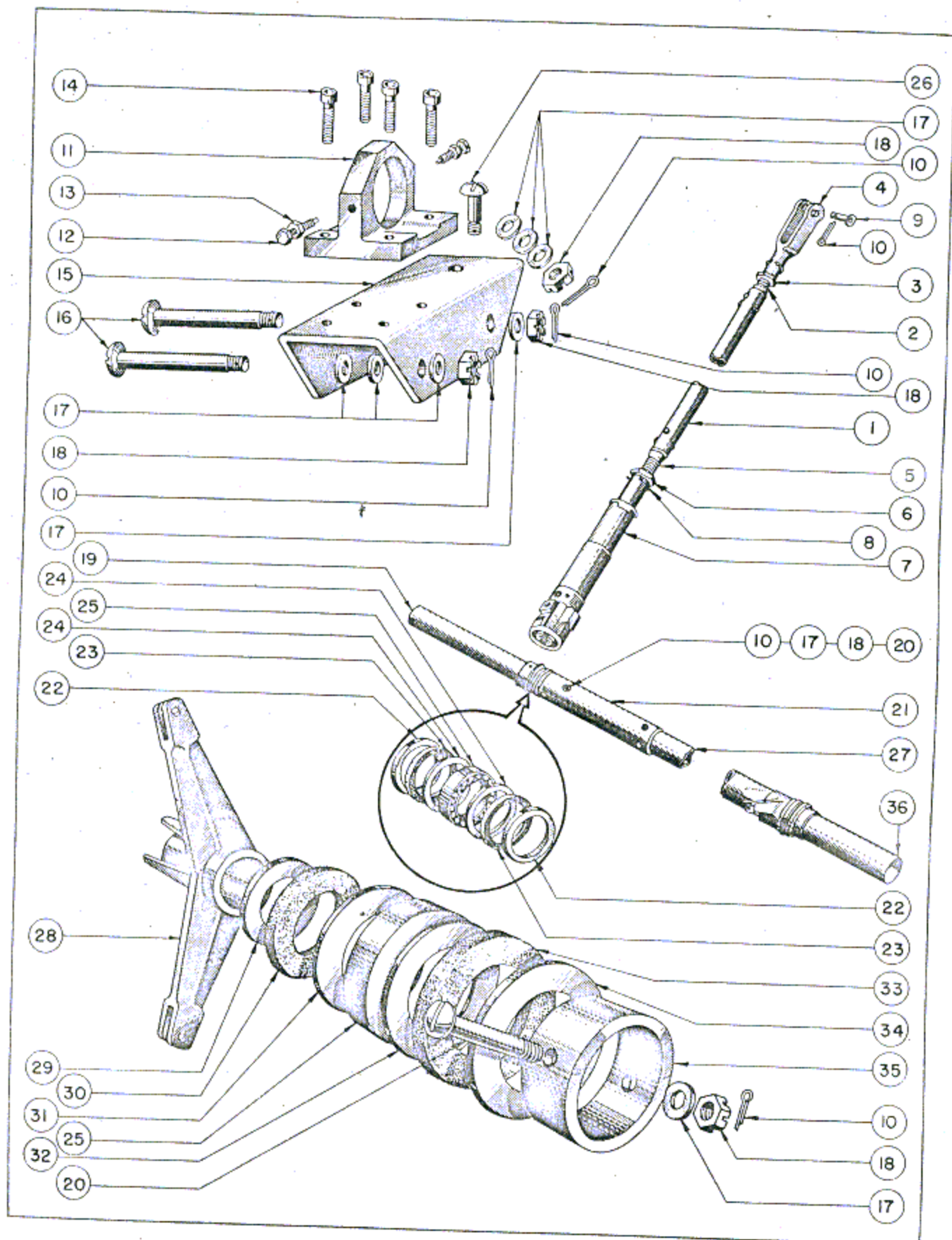


Figure 22—Rudder Torque Tube and Trim Tab Tube

SECTION II—GROUP ASSEMBLY PARTS LISTS

FIG. NO.	INDEX NO.	STOCKED	GROUP - TAIL						UNITS PER ASSY	PROPERTY CLASSIFICATION				
			MAJOR ASSEMBLY - RUDDER TORQUE TUBE AND TRIM TAB TUBE (Cont.)							U.S. NAVY	U.S. ARMY	BRITISH		
			PART NUMBER	1	2	3	4	5					6	NOMENCLATURE
22	32		75-14-026											
	33		87-14-943-3					Washer				1	01-C	126HB
	34		87-14-942-3					Washer				1	01-C	126HB
	35		75-14-016					Collar				1	01-C	126HB
	20		AN24-27					Bolt				1	01-C	126HB
	17		AN960-416					Washer				1	04-A	128
	18		AN320-4					Nut				1	04-A	128
	10		AN380C2-2					Cotter Pin				1	04-A	128
													29	128
	36		75-14-028					Torque Tube - Lower				1	01-C	126HB
23	1		87-11-501					Stabilizer						
	2		87-11-025					Hinge				2	01-C	126HB
	3		87-11-026					Hinge				2	01-C	126HB
	4		75-11-019-1					Block				1	01-C	126HB
	5		AN4-54					Bolt				2	01-C	126HB
	6		AN960-416					Washer				2	04-A	128
	7		AN310-4					Nut				2	04-A	128
	8		AN380-C3-2					Cotter Pin				2	04-A	128
	9		AN960-10					Washer				2	29	128
	10		365-1032					Nut				4	04-A	128
	11		75-11-011					Stud				16	04-A	128
													01-C	126HB
	11		87-11-502					Tip				2	01-C	126HB
	12		87-11-501-22					Door				1	01-C	126HB
	13		AN525-10-8					Screw				8	29	128
	14		75-03-291-1					Nut				8	01-C	126HB
24	1		87-13-901L					Elevator Assembly - L.H.						
	2		87-13-901R					Elevator Assembly - R.H.						
	3		75-13-025					Brace				1	01-C	126HB
	4		87-13-901-1					Trailing Edge				1	01-C	126HB
	5		87-13-503L					Trim Tab - L.H.				1	01-C	126HB
	6		87-13-503R					Trim Tab - R.H.				1	01-C	126HB
	7		75-13-814-1					Bearing				2	01-C	126HB
	8		75-13-014					Hinge				1	01-C	126HB
	9		87-13-037L					Horn Assembly - L.H.				1	01-C	126HB
	10		87-13-037R					Horn Assembly - R.H.				1	01-C	126HB
	11		87-13-037-1L					Horn - L.H.				1	01-C	126HB
	12		87-13-037-1R					Horn - R.H.				1	01-C	126HB
	13		1001-D-3-100					Bushing				2	01-C	126HB
	14		AN515-8-14					Bolt				2	29	128
	10		87-13-913					Counter Balance Assembly				1	01-C	126HB
	11		AN73-A3					Bolt				2	04-A	128
	12		87-13-519					Block Assembly				1	01-C	126HB
	13		87-13-519-1					Block				1	01-C	126HB
	14		AN201-K4A					Bearing (Fafnir)				1	29	128

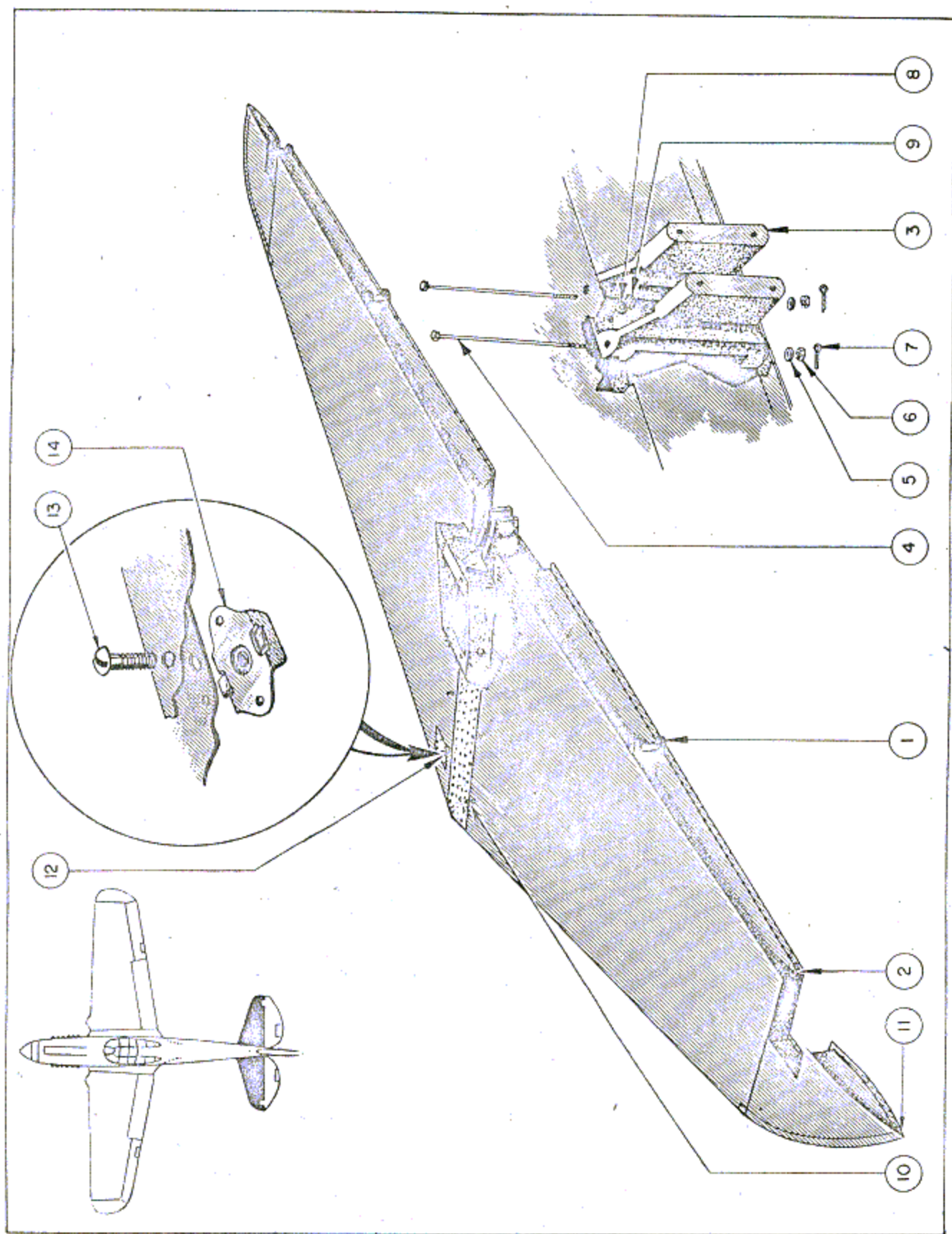


Figure 23—Stabilizer

RESTRICTED

T. O. No. 01-25C-4

SECTION II—GROUP ASSEMBLY PARTS LISTS

FIG. NO.	INDEX NO.	SYMBOL	GROUP - TAIL						UNITS PER ASSY	PROPERTY CLASSIFICATION			
			MAJOR ASSEMBLY - ELEVATOR (Cont.)							U.S. NAVY	U.S. ARMY	BRITISH	
			PART NUMBER	1	2	3	4	5					6
24	15		AN74-15							1		04-A	128
	16		59016-8						Bolt	1		01-C	126HB
	17		59039-8						Flange	1		01-C	126HB
	18		60088-1						Flange	1		01-C	126HB
	19		63249-2						Bearing Assembly	1		01-C	126HB
	20		AN200-KSA						Block	1		01-C	126HB
	21		AN74-15						Bearing (Fafnir)	1		29	128
	22		59039-7						Bolt	1		04-A	128
	23		57010-7						Flange	1		01-C	126HB
	24		B-6-10-1407-2						Flange	1		01-C	126HB
			87-13-0231						Rod (Bronze)	2		04-A	126HB
			87-13-023R						Lever Assembly - L.H.	1		01-C	126HB
	25		87-13-023R						Lever Assembly - R.H.	1		01-C	126HB
			87-13-023-1L						Bellcrank - L.H.	1		01-C	126HB
	26		87-13-023-1R						Bellcrank - R.H.	1		01-C	126HB
	27		1001-D-3-.100						Bushing	2		01-C	126HB
	28		1001-D-4-.1875						Bushing	1		01-C	126HB
	29		AN393-9						Pin	2		04-A	128
	30		AN380-C2-2						Cotter Pin	2		29	128
	31		87-13-027						Support	1		01-C	126HB
	32		75-13-037						Bushing	1		01-C	126HB
	33		AN3-16						Bolt	1		04-A	128
	34		AN310-3						Nut	1		04-A	128
	30		AN380-C2-2						Cotter Pin	1		29	128
	35		87-13-040						Rod	1		01-C	126HB
	36		AN316-4R						Nut	1		04-A	128
	37		AN316-5R						Nut	1		04-A	128
	38		EX38141-17						Pin	1		01-C	126HB
	30		AN380-C2-2						Cotter Pin	1		29	128
			75-14-014-25L						Tab Control Assembly - L.H.	1		01-C	126HB
	39		75-14-014-25R						Tab Control Assembly - R.H.	1		01-C	126HB
	40		87-13-020						Bolt	2		01-C	126HB
	36		AN316-4R						Nut	2		04-A	128
	41		87-13-033-1						Fairing	1		01-C	126HB
	42		87-13-029						Fitting	1		01-C	126HB

FIG. NO.	INDEX NO.	SYMBOL	GROUP - TAIL						UNITS PER ASSY	PROPERTY CLASSIFICATION				
			MAJOR ASSEMBLY - ELEVATOR BEARING ASSEMBLY							U.S. NAVY	U.S. ARMY	BRITISH		
			PART NUMBER	1	2	3	4	5					6	NOMENCLATURE
25	1		87-15-503											
			87-13-031						Tail Erection				01-C	126HB
	2		87-13-030						Fitting	1		01-C	126HB	
	3		87-13-030-1						Horn Assembly	1		01-C	126HB	
	4		AN200K4						Horn	1		01-C	126HB	
									Bearing	1		29	128	
	5		87-15-012						Bearing Assembly - Elevator Center	2		01-C	126HB	
	6		87-15-012-1						Bearing Block	1		01-C	126HB	
	7		A543						Bearing (Fafnir)	1		29	126HB	
	8		87-15-919						Washer	1		01-C	126HB	
	9		AN4-23						Bolt	2		04-A	128	
	10		AN960-416						Washer	2		04-A	128	
11		AN310-4						Nut	2		04-A	128		
12		AN380C2-3						Cotter Pin	2		29	128		

RESTRICTED

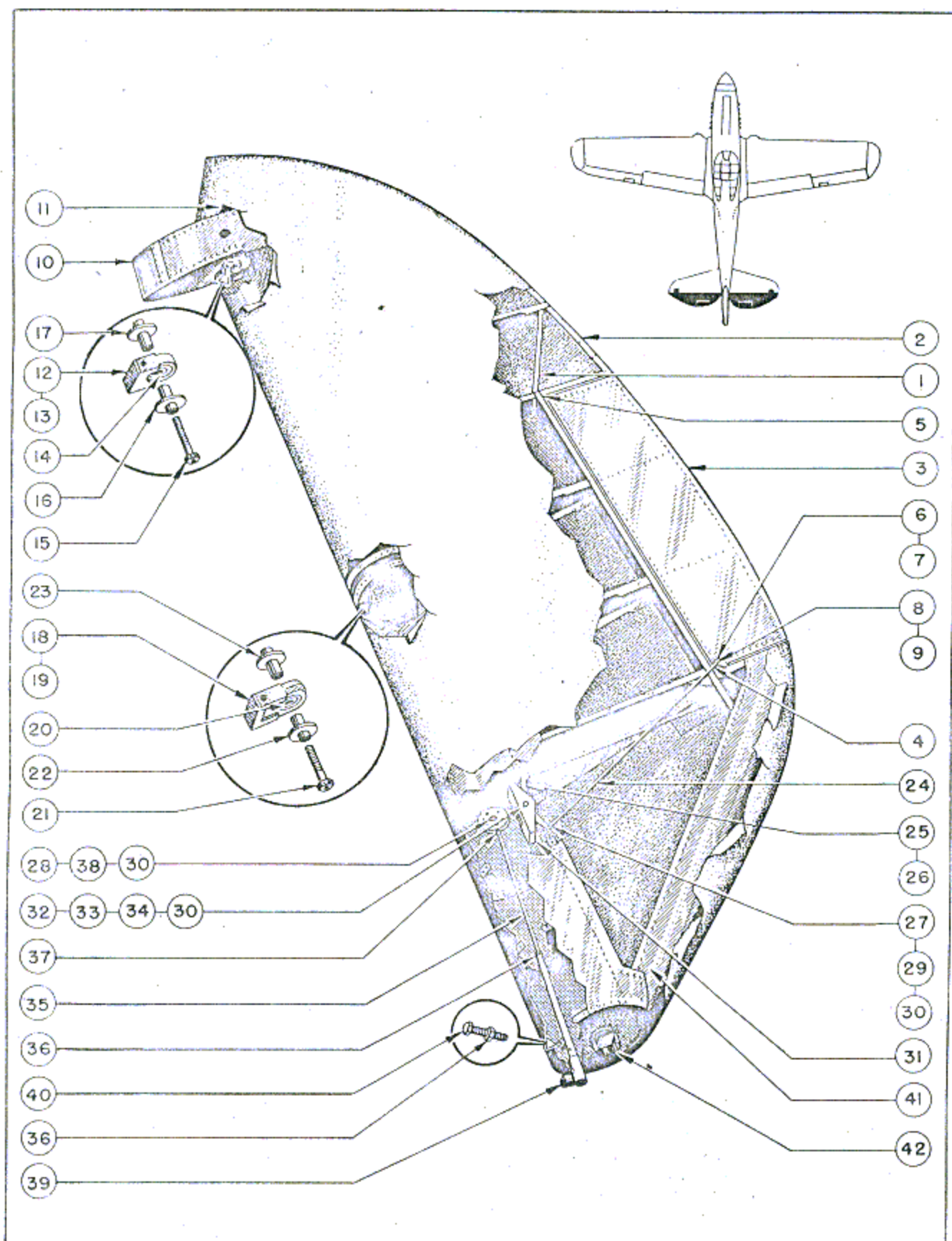


Figure 24—Elevator

RESTRICTED
T. O. No. 01-25C-4
SECTION II—GROUP ASSEMBLY PARTS LISTS

FIG. NO.	INDEX NO.	STOCKED	GROUP- TAIL						UNITS PER ASSY	PROPERTY CLASSIFICATION		
			MAJOR ASSEMBLY - ELEVATOR BEARING ASSEMBLY (Cont.)							U.S. NAVY	U.S. ARMY	BRITISH
			PART NUMBER	1	2	3	4	5				
25	13		87-15-918			Dust Seal			1		01-C	126HB
	14		AN741-D13			Clamp			1		04-A	128
	15		AN4-11			Bolt			1		04-A	128
	16		AN960-D416			Washer			1		04-A	128
	11		AN310-4			Nut			1		04-A	128
	12		AN380C2-3			Cotter Pin			1		29	128
	17		75-15-013			Bolt			4		01-C	126HB
	10		AN960-416			Washer			4		04-A	128
	18		AN4-17			Bolt			4		04-A	128
	10		AN960-416			Washer			4		04-A	128
	11		AN310-4			Nut			4		04-A	128
	12		AN380C2-3			Cotter Pin			4		29	128

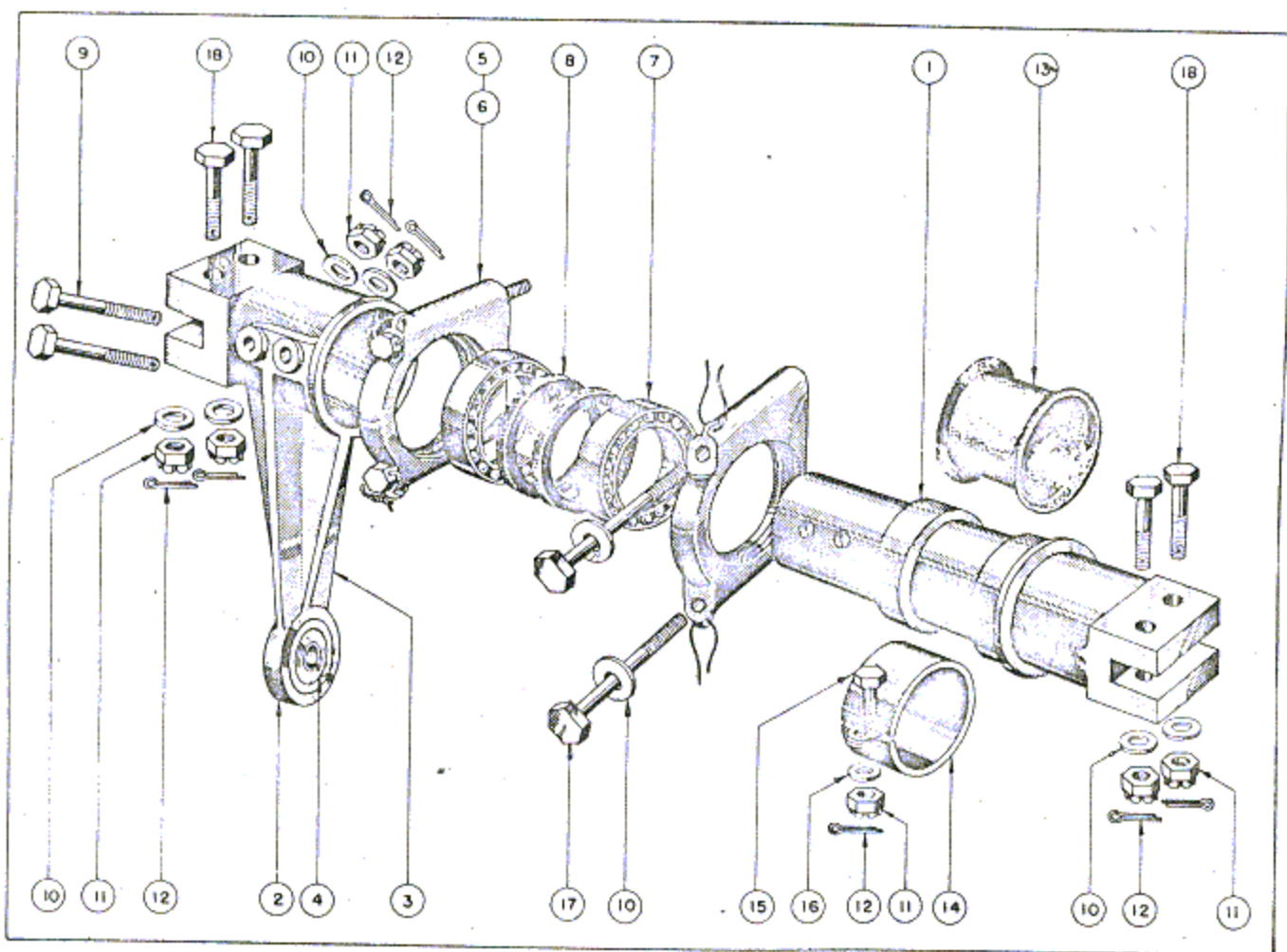


Figure 25—Elevator Bearing Assembly

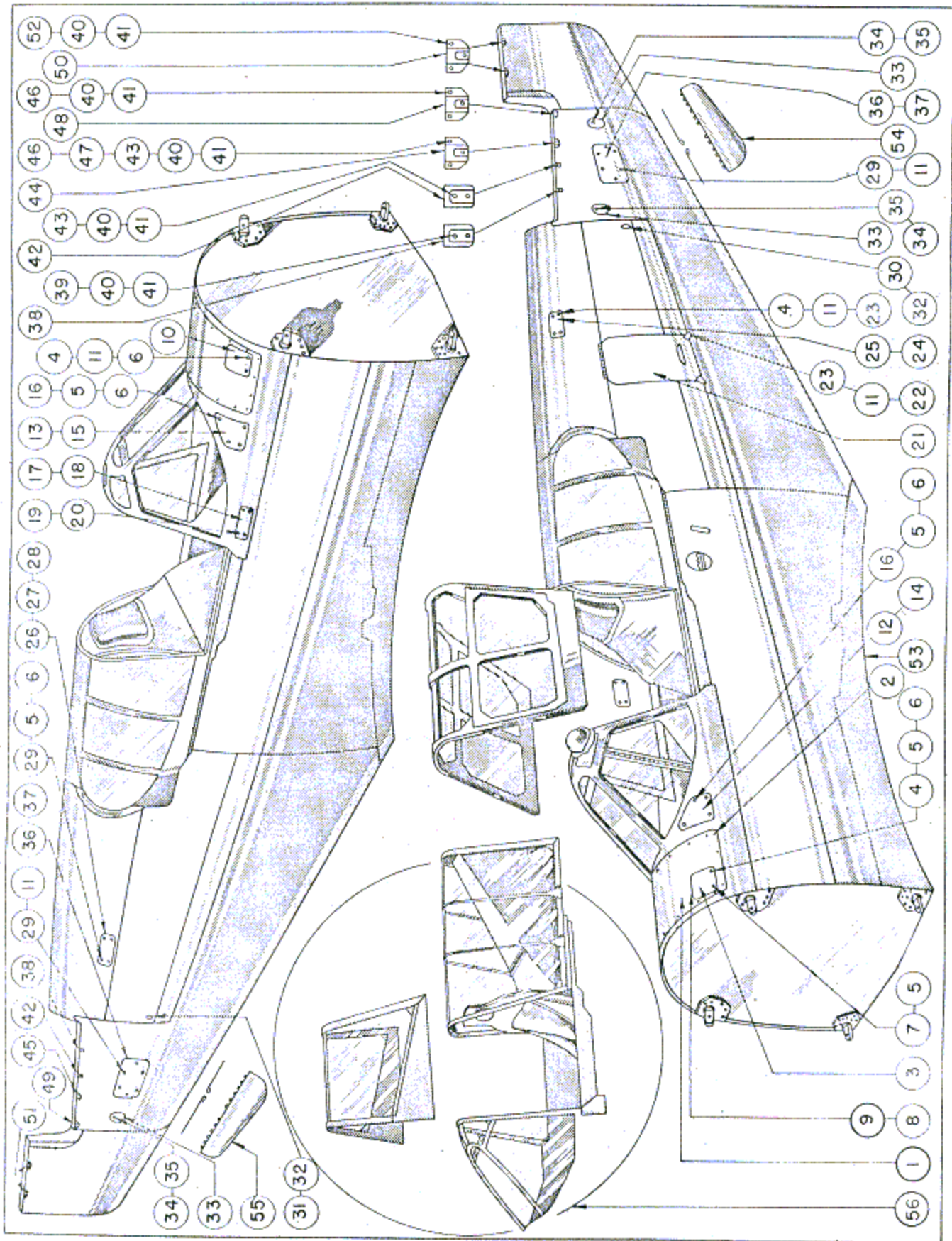


Figure 26—Fuselage and Access Doors

RESTRICTED
T. O. No. 01-25C-4

SECTION II—GROUP ASSEMBLY PARTS LISTS

FIG. NO.	INDEX NO.	S T O C K E D	GROUP - FUSELAGE						UNITS PER ASSY	PROPERTY CLASSIFICATION		
			MAJOR ASSEMBLY - FUSELAGE AND ACCESS DOORS							U.S. NAVY	U.S. ARMY	BRITISH
			PART NUMBER	1	2	3	4	5				
26			87-21-405-75	Fuselage	Assembly			A			01-C	126HB
			87-21-405-100	Fuselage	Assembly			B			01-C	126HB
			87-210-1501	Fuselage	Assembly			C			01-C	126HB
			87-210-1001	Fuselage	Assembly			D - J			01-C	126HB
			87-210-1001-100	Fuselage	Assembly			K - R			01-C	126HB
			87-210-1001-200	Fuselage	Assembly			S - up			01-C	126HB
	1		87-21-514-40	Access Door	Front					1	01-C	126HB
	2		1101-D-S-8	Screw						24	01-C	126HB
	3		87-21-514-12	Door	L.H. only					1	01-C	126HB
	4		2A5-4	Fastener	(Dzus)					1	04-A	27H
	5		375F	Grommet	(Dzus)					1	04-A	27H
	6		100F	Spring	(Dzus)					1	04-A	27H
	7		FA5-45	Fastener	(Dzus)					1	04-A	27H
	5		375F	Grommet	(Dzus)					1	04-A	27H
	8		87-21-514-35	Hinge						1	01-C	126HB
	9		87-21-514-33	Pin						1	01-C	126HB
	10		87-21-970-1	Door	Assembly - R.H. only					1	01-C	126HB
	4		FA5-40	Fastener	(Dzus)					4	04-A	27H
	11		GF5-175	Grommet	(Dzus)					4	04-A	27H
	6		100F	Spring	(Dzus)					4	04-A	27H
	12		87-21-549-1L	Cover	Installation					1	01-C	126HB
	13		87-21-549-1R	Cover	Installation					1	01-C	126HB
	14		87-21-549-2L	Cover	Assembly L.H.					1	01-C	126HB
	15		87-21-549-2R	Cover	Assembly R.H.					1	01-C	126HB
	16		AFA-16	Fastener	(Dzus)					4	04-A	27H
	5		375F	Grommet	(Dzus)					4	04-A	27H
	6		100F	Spring	(Dzus)					4	04-A	27H
	17		87-21-545	Door	Assembly - Cabin Control R.H. only					1	01-C	126HB
	18		87-21-545-1	Door						1	01-C	126HB
	19		1101-D-S-6	Screw						4	01-C	126HB
	20		659-D-4	Nut						4	01-C	126HB
	21		87-21-526	Door	Assembly - Fuselage Access L.H. only					1	01-C	126HB
	22		FAW5-50	Fastener	(Dzus)					2	04-A	27H
	11		GF5-175	Grommet	(Dzus)					2	04-A	27H
23		S5-325	Spring	(Dzus)					2	04-A	27H	
24		87-21-650	Door	Installation - Hydraulic Tank L.H. only					1	01-C	126HB	
25		87-21-650-2	Cover						1	01-C	126HB	
4		FA5-40	Fastener	(Dzus)					4	04-A	27H	
11		GF5-175	Grommet	(Dzus)					4	04-A	27H	
23		S5-325	Spring	(Dzus)					4	04-A	27H	
26		87-21-522	Door	Assembly - Tail Wheel - R.H. only					1	01-C	126HB	
27		87-21-522-1	Cover	Assembly					1	01-C	126HB	
28		87-21-522-2	Cover						1	01-C	126HB	
29		AFA-35	Fastener	(Dzus)					4	04-A	27H	
5		375F	Grommet	(Dzus)					4	04-A	27H	
6		100F	Spring	(Dzus)					4	04-A	27H	
30		87-21-559-4L	Cover						1	01-C	126HB	
31		87-21-559-4R	Cover						1	01-C	126HB	
32		AN510-10-8	Screw						1	29	12S	
33		87-21-647	Door	Assembly - Tail Wheel Access Door L.H. only					3	01-C	126HB	
34		87-21-647-1	Door						3	01-C	126HB	

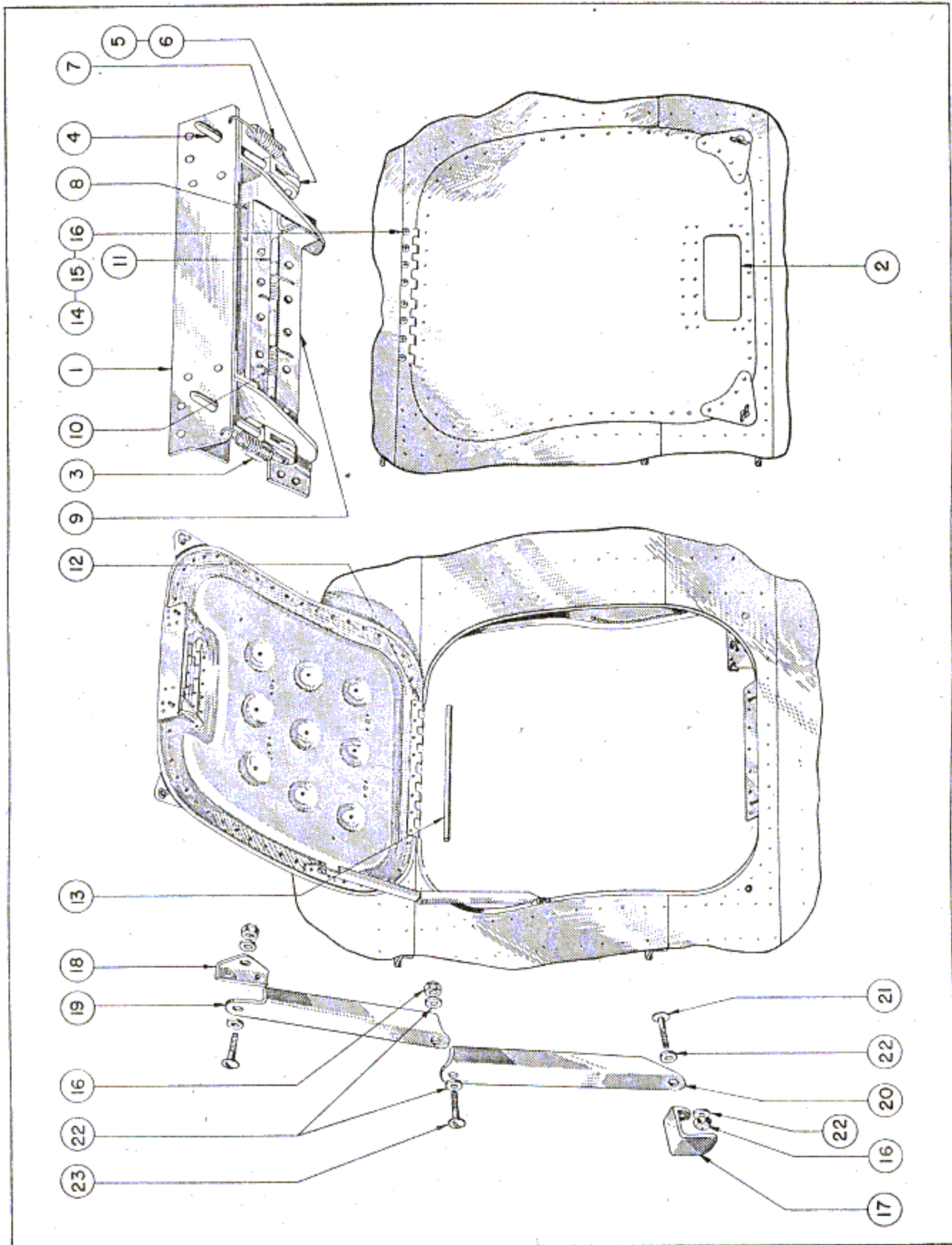


Figure 27—Door Assembly

RESTRICTED
T.O. No. 01-25C-4
SECTION II—GROUP ASSEMBLY PARTS LISTS

FIG. NO.	INDEX NO.	STOCK #	GROUP - FUSELAGE						UNITS PER ASSY	PROPERTY CLASSIFICATION			
			MAJOR ASSEMBLY - FUSELAGE AND ACCESS DOORS (Cont.)							U.S. NAVY	U.S. ARMY	BRITISH	
			PART NUMBER	1	2	3	4	5					6
26	35		75-03-374-8							3		01-C	126HB
	36		87-21-201-2							2		01-C	126HB
	37		87-21-201-1							1		01-C	126HB
	29		AFA-35							6		04-A	27H
	11		GF5-175							6		04-A	27H
	38		75-21-069-1							2		01-C	126HB
	39		AN24-11							2		04-A	128
	40		AN960-416							2		04-A	128
	41		364-428							2		04-A	128
	42		75-21-069-2							2		01-C	126HB
	43		AN24-10							1		04-A	128
	39		AN24-11							1		04-A	128
	40		AN960-416							2		04-A	128
	41		364-428							2		04-A	128
	44		75-21-129L							1		01-C	126HB
	45		75-21-129R							1		01-C	126HB
	46		AN24-8							1		04-A	128
	47		AN24-9							1		04-A	128
	43		AN24-10							1		04-A	128
	40		AN960-416							3		04-A	128
	41		364-428							3		04-A	128
	48		75-21-170L							1		01-C	126HB
	49		75-21-170R							1		01-C	126HB
	46		AN24-8							3		04-A	128
	40		AN960-416							3		04-A	128
	41		364-428							3		04-A	128
	50		75-21-129L							2		01-C	126HB
	51		75-21-129R							2		01-C	126HB
	52		AN24-9A							3		04-A	128
	40		AN960-416							3		04-A	128
41		364-428							3		04-A	128	
53		87-21-596							2		01-C	126HB	
54		87-21-524L									01-C	126HB	
55		87-21-524R									01-C	126HB	
56											01-C	126HB	
			Cabin Enclosure P-40N Series Airplane										

FIG. NO.	INDEX NO.	STOCK #	GROUP - FUSELAGE						UNITS PER ASSY	PROPERTY CLASSIFICATION			
			MAJOR ASSEMBLY - DOOR ASSEMBLY							U.S. NAVY	U.S. ARMY	BRITISH	
			PART NUMBER	1	2	3	4	5					6
27			87-21-526									01-C	126HB
	1		87-21-526-10							1		01-C	126HB
	2		75-21-042-1							1		01-C	126HB
	3		87-21-541							1		01-C	126HB
	4		75-21-045-1							2		01-C	126HB
	5		AN393-13							2		04-A	128
	6		AN380-C2-2							2		29	128
	7		58766-3/4							2		01-C	126HB
	8		87-21-542-1							1		01-C	126HB
	9		87-21-542-2							1		01-C	126HB
10		0153189-1							2		01-C	126HB	

RESTRICTED

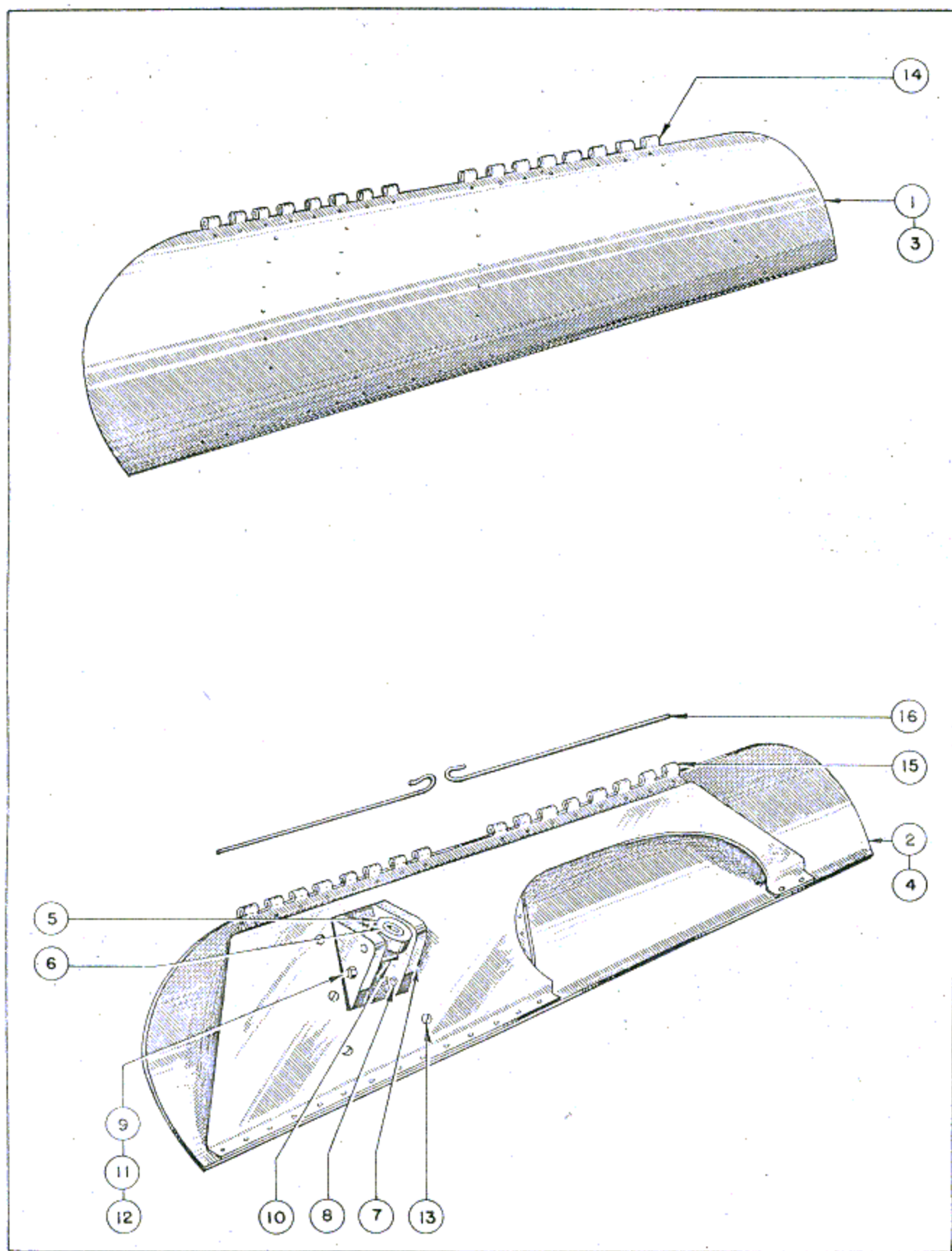


Figure 28—Tail Wheel Door

RESTRICTED
T. O. No. 01-25C-4

SECTION II—GROUP ASSEMBLY PARTS LISTS

FIG. NO.	INDEX NO.	STOCK REF.	GROUP - FUSELAGE						UNITS PER ASSY	PROPERTY CLASSIFICATION				
			MAJOR ASSEMBLY - DOOR ASSEMBLY (Cont.)							U.S. NAVY	U.S. ARMY	BRITISH		
			PART NUMBER	1	2	3	4	5					6	NOMENCLATURE
27	11		87-21-542-3							Pin	1		01-C	126HB
	12		87-21-736							Hinge	1		01-C	126HB
	13		87-21-736-3							Pin	1		01-C	126HB
	14		1101-DS-10							Screw	8		01-C	126HB
	15		AN960-10							Washer	8		04-A	128
	16		365-1032							Nut	8		04-A	128
	17		87-21-528							Bracket	1		01-C	126HB
	18		87-21-529							Angle	1		01-C	126HB
	19		87-21-531							Strap	1		01-C	126HB
	20		87-21-975							Strap	1		01-C	126HB
	21		AN525-10-9							Screw	2		29	128
	22		AN960-C10							Washer	4		04-A	128
	16		365-1032							Nut	2		04-A	128
	23		AN525-10-10							Screw	1		29	126
	22		AN960-C10							Washer	2		04-A	128
	16		365-1032							Nut	1		04-A	128
	FIG. NO.	INDEX NO.	STOCK REF.	GROUP - FUSELAGE						UNITS PER ASSY	PROPERTY CLASSIFICATION			
				MAJOR ASSEMBLY - TAIL WHEEL DOOR							U.S. NAVY	U.S. ARMY	BRITISH	
				PART NUMBER	1	2	3	4	5					6
28			87-21-405-75							Fuselage Assembly			01-C	126HB
			87-21-405-100							Fuselage Assembly			01-C	126HB
			87-210-1501							Fuselage Assembly			01-C	126HB
			87-210-1001							Fuselage Assembly			01-C	126HB
			87-210-1001-100							Fuselage Assembly			01-C	126HB
			87-210-1001-200							Fuselage Assembly			01-C	126HB
	1		87-21-524L							Door Assembly - Tail Wheel Door	1		01-C	126HB
	2		87-21-524R							Door Assembly - Tail Wheel Door	1		01-C	126HB
	3		87-21-524-1L							Door	1		01-C	126HB
	4		87-21-524-1R							Door	1		01-C	126HB
	5		87-21-189							Trunnion	1		01-C	126HB
	6		87-21-226							Mount	1		01-C	126HB
	7		87-21-644							Plate	2		01-C	126HB
	8		AN3-6A							Bolt	4		04-A	128
	9		AN23-36							Bolt	1		04-A	128
	10		1004-D-3-1.282							Bushing	1		01-C	126HB
	11		AN960-10							Washer	1		04-A	128
12		364-1032							Nut	1		04-A	128	
13		AN515-8-7							Bolt	6		29	126	
14		87-21-926-2L							Hinge - L.H.	1		01-C	126HB	
15		87-21-926-2R							Hinge - R.H.	1		01-C	126HB	
16		87-21-367							Pin	2		01-C	126HB	

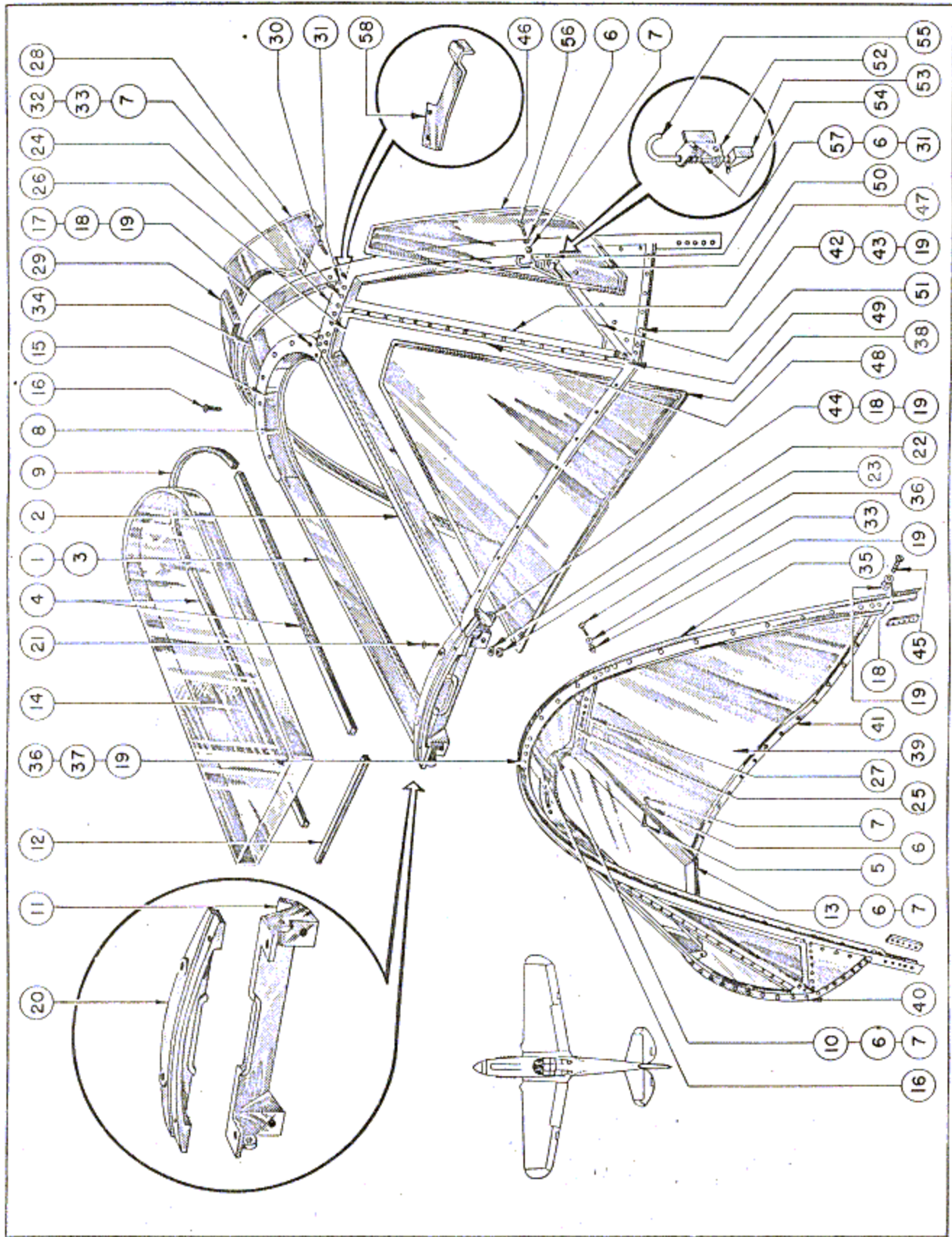


Figure 29—Windshield Assembly

RESTRICTED
T.O. No. 01-25C-4
SECTION II—GROUP ASSEMBLY PARTS LISTS

FIG. NO.	INDEX NO.	SYMBOL	GROUP- FUSELAGE						UNITS PER ASSY	PROPERTY CLASSIFICATION				
			MAJOR ASSEMBLY - WINDSHIELD ASSEMBLY							U.S. NAVY	U.S. ARMY	BRITISH		
			PART NUMBER	1	2	3	4	5					6	NOMENCLATURE
29			87-26-503-50						Windshield Assembly	A - B	1		01-C	126HB
			87-250-1001						Windshield Assembly	C - R	1		01-C	126HB
	1		87-26-541						Frame Assembly - Center	A - B	1		01-C	126HB
	1		87-250-1009						Frame Assembly - Center	C - R	1		01-C	126HB
	2		87-26-541-1L						Side		1		01-C	126HB
	3		87-26-541-1R						Side		1		01-C	126HB
	4		87-26-915-3						Spacer		2		01-C	126HB
	5		AN526-832-12						Screw		3		29	128
	6		AN960-8						Washer		3		04-A	128
	7		365-832						Nut		3		04-A	128
	8		87-26-534						Frame Top		1		01-C	126HB
	9		87-26-915-1						Spacer		1		01-C	126HB
	10		AN526-832-14						Screw		2		29	128
	6		AN960-8						Washer		2		04-A	128
	7		365-832						Nut		2		04-A	128
	11		87-26-533						Support. - Lower		1		01-C	126HB
	12		87-26-915-2						Spacer		1		01-C	126HB
	13		AN526-832-18						Screw		2		29	128
	6		AN960-8						Washer		2		04-A	128
	7		365-832						Nut		2		04-A	128
	14		87-26-537						Panel	A - B	1		01-C	126HB
	14		87-250-1010						Panel	C - R	1		01-C	126HB
	15		87-26-535						Retainer - Top		1		01-C	126HB
	16		1101-DS-12						Screw		5		01-C	126HB
	17		1103-DS-6						Screw		2		01-C	126HB
	18		AN960-D10						Washer		2		04-A	128
	19		365-1032						Nut		2		04-A	128
	20		87-26-532						Support. - Lower		2		01-C	126HB
	21		AN525-416-12						Screw		2		29	128
	22		AN960-D416						Washer		2		04-A	128
	23		365-428						Nut		2		04-A	128
	24		87-26-523L						Frame - Side		1		01-C	126HB
	25		87-26-523R						Frame - Side		1		01-C	126HB
	26		87-26-553L						Reinforcement		1		01-C	126HB
	27		87-26-553R						Reinforcement		1		01-C	126HB
	28		87-26-520L						Glass		1		01-C	126HB
	29		87-26-520R						Glass		1		01-C	126HB
	30		1100-DS-8						Screw		4		01-C	126HB
	31		AN340-8						Nut		4		29	128
	32		1100-DS-14						Screw		8		01-C	126HB
	33		AN960-D8						Washer		8		04-A	128
7		365-832						Nut		8		04-A	128	
34		87-26-522-2						Retainer		1		01-C	126HB	
16		1101-DS-12						Screw		2			126HB	
35		87-26-521						Frame - Rear		1		01-C	126HB	
36		AN525-10-9						Screw		6		29	128	
33		AN960-D8						Washer		6		04-A	128	
19		365-1032						Nut		6		04-A	128	
36		AN525-10-9						Screw		2		29	128	
37		1075-DD-.062-.203						Washer		2			126HB	
19		365-1032						Nut		2		01-C	126HB	
38		87-26-519-2						Glass	A - R	1		01-C	126HB	
39		87-26-519R						Glass		1		01-C	126HB	
40		87-26-517L						Support		1		01-C	126HB	
41		87-26-517R						Support		1		01-C	126HB	

RESTRICTED

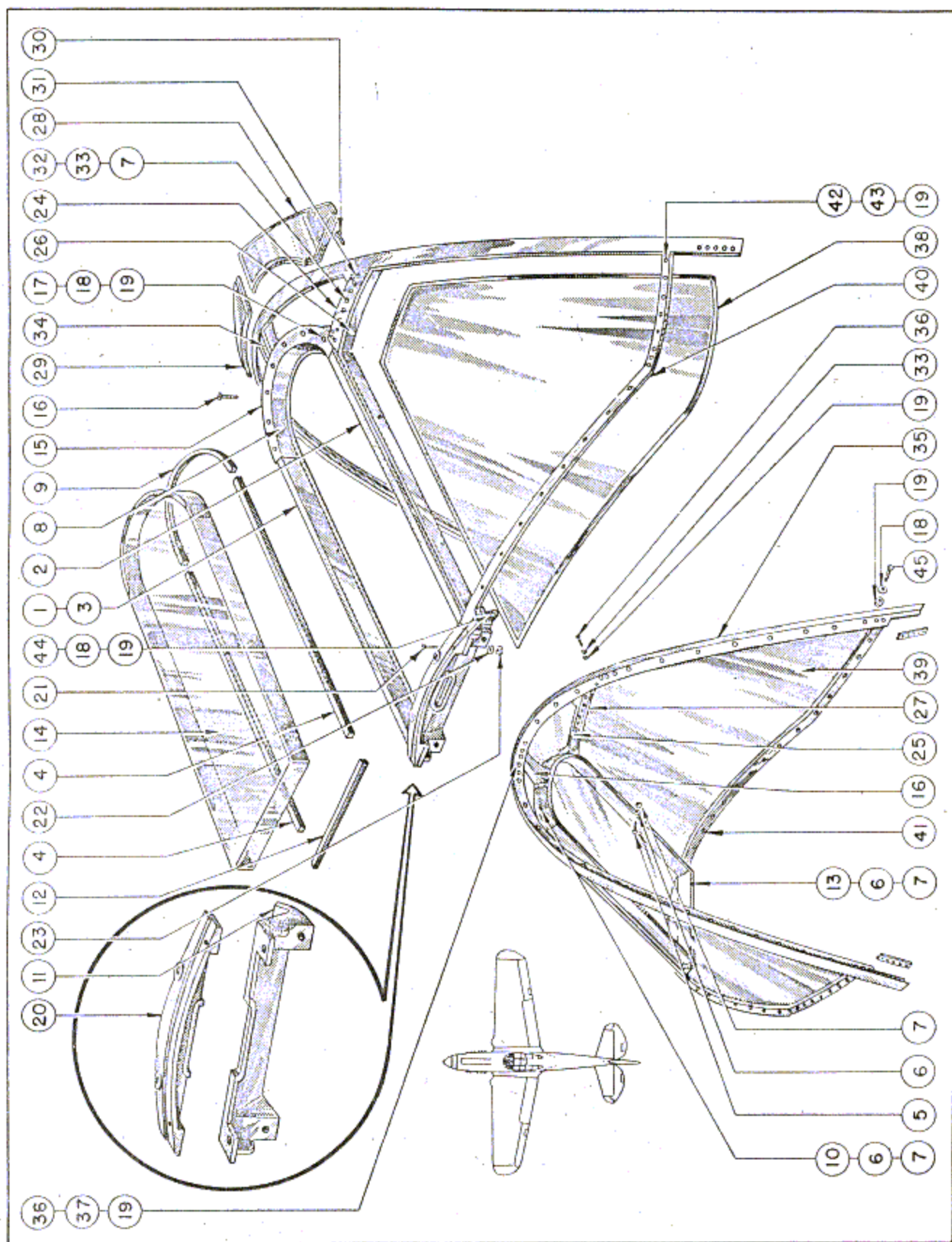


Figure 30—Windshield Assembly

RESTRICTED
T. O. No. 01-25C-4

SECTION II—GROUP ASSEMBLY PARTS LISTS

FIG. NO.	INDEX NO.	STOCK ID	GROUP - FUSELAGE						UNITS PER ASSY	PROPERTY CLASSIFICATION				
			MAJOR ASSEMBLY - WINDSHIELD ASSEMBLY (Cont.)							U.S. NAVY	U.S. ARMY	BRITISH		
			PART NUMBER	1	2	3	4	5					6	NOMENCLATURE
29	42		1103-DS-5											
	43		AN916-10						Screw	15		01-C	126HB	
	19		365-1032						Washer	30		04-A	128	
	44		AN3-7						Nut	15		04-A	128	
	18		AN960-D10						Bolt	2		04-A	128	
	19		365-1032						Washer	2		04-A	128	
	45		AN525-10-11						Nut	2		04-A	128	
	18		AN960-D10						Screw	2		29	128	
	19		365-1032						Washer	2		04-A	128	
									Nut	2		04-A	128	
	46			87-26-917-32							1		01-C	126HB
	47			87-26-917-31						Panel Assembly - L.H. only	1		01-C	126HB
	48			87-26-917-35						Weld Assembly	1		01-C	126HB
	49			87-26-917-15						Weld Assembly	1		01-C	126HB
	50			87-26-917-12						Hinge Pin	1		01-C	126HB
	51			87-26-917-33						Window	1		01-C	126HB
	52			87-26-917-10						Weld Assembly	1		01-C	126HB
	53			87-26-917-14						Fitting	1		01-C	126HB
	54			87-26-916						Fitting	1		01-C	126HB
	55			87-26-917-11						Spring	1		01-C	126HB
	56			1100-DS-12						Lock Pin	1		01-C	126HB
	57			1100-DS-10						Screw	3		01-C	126HB
	6			AN960-8						Screw	1		01-C	126HB
	7			365-832						Washer	4		01-C	126HB
	31			AN340-8						Nut	3		04-A	128
	58			87-26-918						Nut	1		29	128
										Spring	1		01-C	126HB
	30			87-250-1001-100						Windshield Assembly	1		01-C	126HB
		1		87-250-1009						Frame Assembly - Center	1		01-C	126HB
		2		87-26-541-1L						Side	1		01-C	126HB
		3		87-26-541-1R						Side	1		01-C	126HB
		4		87-26-915-3						Spacer	1		01-C	126HB
5			AN526-832-12						Screw	2		01-C	126HB	
6			AN960-8						Washer	3		29	128	
7			365-832						Nut	3		04-A	128	
8			87-26-534						Frame Top	3		04-A	128	
9			87-26-915-1						Spacer	1		01-C	126HB	
10			AN526-832-14						Screw	1		01-C	126HB	
6			AN960-8						Washer	2		29	128	
7			365-832						Nut	2		04-A	128	
11			87-26-533						Support - Lower	2		04-A	128	
12			87-26-915-2						Spacer	1		01-C	126HB	
13			AN526-832-18						Screw	1		01-C	126HB	
6			AN960-8						Washer	2		29	128	
7			365-832						Nut	2		04-A	128	
14			87-250-1010						Panel	1		01-C	126HB	
15			87-26-535						Retainer - Top	1		01-C	126HB	
16			1101-DS-12						Screw	5		01-C	126HB	
17		1103-DS-6						Screw	2		01-C	126HB		

RESTRICTED

RESTRICTED
T. O. No. 01-25C-4

SECTION II—GROUP ASSEMBLY PARTS LISTS

FIG. NO.	INDEX NO.	S T O C K E D	GROUP - FUSELAGE						UNITS PER ASSY	PROPERTY CLASSIFICATION		
			MAJOR ASSEMBLY - WINDSHIELD ASSEMBLY (Cont.)							U.S. NAVY	U.S. ARMY	BRITISH
			PART NUMBER	1	2	3	4	5				
30	18											
	19	AN960-D10							2		04-A	128
	20	365-1032							2		04-A	128
	21	87-26-532							1		01-C	126HB
	22	AN525-416-12							2		29	128
	23	AN960-D416							2		04-A	128
		365-428							2		04-A	128
	24	87-26-523L							1		01-C	126HB
	25	87-26-523R							1		01-C	126HB
	26	87-26-553L							1		01-C	126HB
	27	87-26-553R							1		01-C	126HB
	28	87-26-520L							1		01-C	126HB
	29	87-26-520R							1		01-C	126HB
	30	1100-DS-8							4		01-C	126HB
	31	AN340-8							4		29	128
	32	1100-DS-14							8		01-C	126HB
	33	AN960-D8							8		04-A	128
	7	365-832							8		04-A	128
	34	87-26-522-2							1		01-C	126HB
	16	1101-DS-12							2		01-C	126HB
	35	87-21-521							1		01-C	126HB
	36	AN525-10-9							6		29	128
	33	AN960-D8							6		04-A	128
	19	365-1032							6		04-A	128
	36	AN525-10-9							2		29	128
	37	1075-DD-.062-.203							2			
		--.312							2			
	19	365-1032							2		01-C	126HB
									2		04-A	128
	38	87-26-519L							1	S - up	01-C	126HB
	39	87-26-519R							1	S - up	01-C	126HB
	40	87-26-517L							1		01-C	126HB
	41	87-26-517R							1		01-C	126HB
	42	1103-DS-5							15		01-C	126HB
	43	AN916-10							30		04-A	128
	19	365-1032							15		04-A	128
	44	AN3-7							2		04-A	128
	18	AN960-D10							2		04-A	128
	19	365-1032							2		04-A	128
	45	AN525-10-11							2		04-A	128
18	AN960-D10							2		29	128	
19	365-1032							2		04-A	128	
								2		04-A	128	

RESTRICTED
T.O. No. 01-25C-4
SECTION II—GROUP ASSEMBLY PARTS LISTS

FIG. NO.	INDEX NO.	STOCK ID	GROUP - FUSELAGE						UNITS PER ASSY	PROPERTY CLASSIFICATION			
			MAJOR ASSEMBLY - CABIN ASSEMBLY							U.S. NAVY	U.S. ARMY	BRITISH	
			PART NUMBER	1	2	3	4	5					6
31			87-21-405-75	Fuselage	Assembly				A		01-C	126HB	
			87-21-405-100	Fuselage	Assembly				B		01-C	126HB	
			87-210-1501	Fuselage	Assembly				C		01-C	126HB	
			87-210-1001	Fuselage	Assembly				D - J		01-C	126HB	
			87-210-1001-100	Fuselage	Assembly				K - R		01-C	126HB	
			87-210-1001-200	Fuselage	Assembly				S - up		01-C	126HB	
		1		87-25-501	Cabin	Assembly				A - C		01-C	126HB
		2		87-25-501-1	Skirt	Assembly					1	01-C	126HB
		3		87-25-557	Skirt						1	01-C	126HB
		4		87-25-501-7	Moulding						1	01-C	126HB
		5		87-25-542	Gusset						1	01-C	126HB
		6		85388-8A	Nut						2	01-C	126HB
		7		1100-DS-7	Screw						2	01-C	126HB
		8		87-25-563	Moulding						1	01-C	126HB
		9		87-25-566L	Splice						1	01-C	126HB
				87-25-566R	Splice						1	01-C	126HB
		10		87-25-501-10	Moulding						1	01-C	126HB
		11		87-25-501-12	Moulding						1	01-C	126HB
		12		85388-6A	Nut						6	01-C	126HB
		7		1100-DS-7	Screw						6	01-C	126HB
		13		85388-12A	Nut						4	01-C	126HB
		14		1100-DS-4	Screw						4	01-C	126HB
		15		87-25-501-11	Moulding						1	01-C	126HB
		16		87-25-501-25	Glass						1	01-C	126HB
		17		87-25-501-24	Glass						1	01-C	126HB
		18		87-25-501-9	Moulding						1	01-C	126HB
		19		87-25-501-14	Moulding						1	01-C	126HB
		20		87-25-501-60	Seal						1	01-C	126HB
		21		87-25-547	Gusset						1	01-C	126HB
		22		87-25-553	Gusset						1	01-C	126HB
		23		87-25-501-32	Hinge						1	01-C	126HB
		24		87-25-501-37	Moulding						1	01-C	126HB
		6		85388-8A	Nut						7	01-C	126HB
		7		1100-DS-7	Screw						7	01-C	126HB
		25		85388-14A	Nut						2	01-C	126HB
		26		1100-DS-2	Screw						2	01-C	126HB
		27		87-25-501-20	Hinge						1	01-C	126HB
		28		87-25-501-19	Moulding						1	01-C	126HB
		29		87-25-501-38	Pin						1	01-C	126HB
		30		87-25-501-13	Moulding						1	01-C	126HB
		31		87-25-548	Gusset						1	01-C	126HB
		6		85388-8A	Nut						8	01-C	126HB
		7		1100-DS-7	Screw						8	01-C	126HB
	32		87-25-552	Gusset						1	01-C	126HB	
	25		85388-14A	Nut						2	01-C	126HB	
	26		1100-DS-6	Screw						2	01-C	126HB	
	33		87-25-501-27	Glass						1	01-C	126HB	
	34		87-25-501-26	Glass						1	01-C	126HB	
	35		87-25-549L	Gusset						1	01-C	126HB	
			87-25-549R	Gusset						1	01-C	126HB	
	36		87-25-501-16	Moulding						1	01-C	126HB	
	C		85388-8A	Nut						6	01-C	126HB	
	7		1100-DS-7	Screw						3	01-C	126HB	
	37		1100-DS-8	Screw						3	01-C	126HB	
	38		87-25-501-15	Moulding						1	01-C	126HB	
	6		85388-8A	Nut						3	01-C	126HB	
	7		1100-DS-7	Screw						3	01-C	126HB	

RESTRICTED

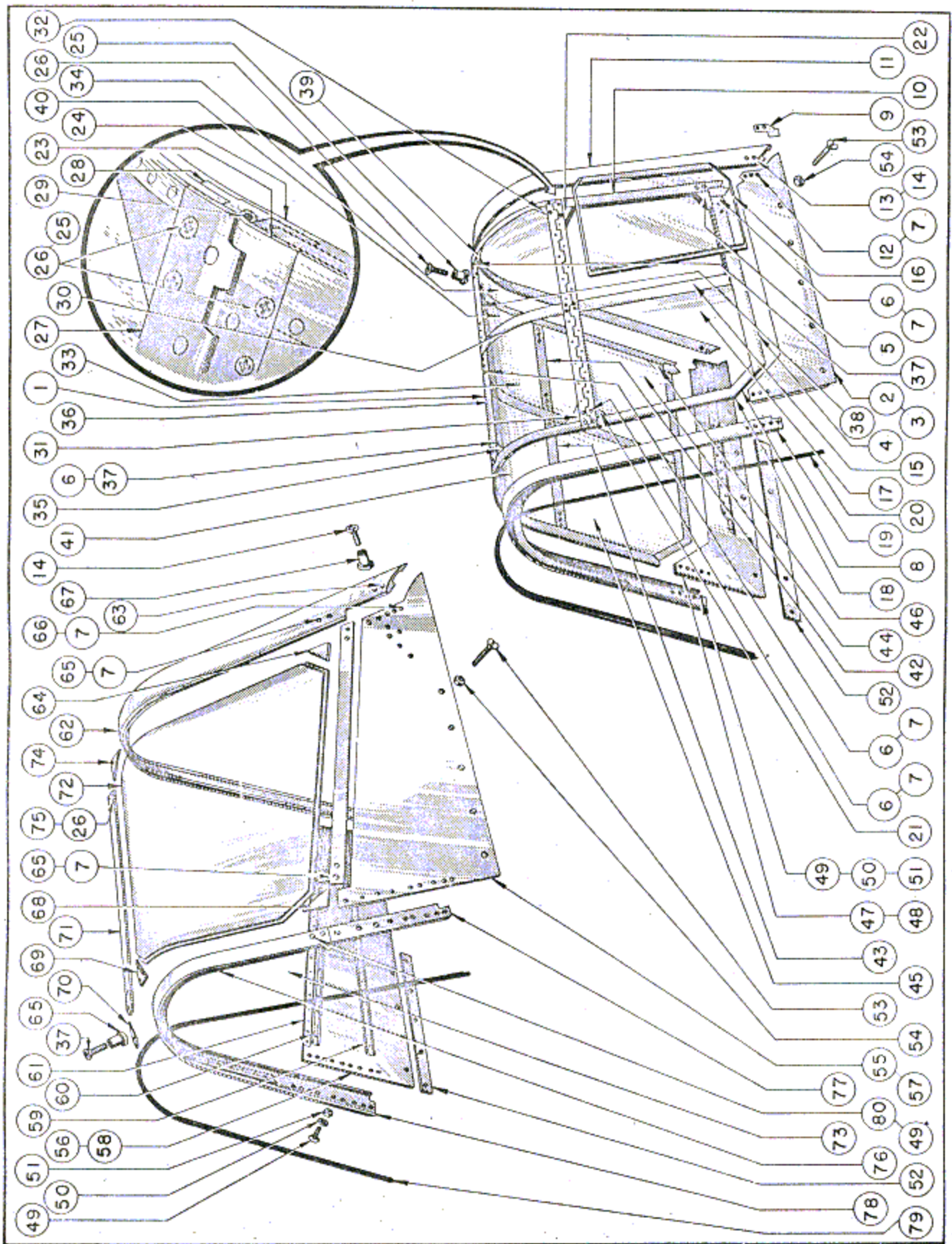


Figure 31—Cabin Assembly

RESTRICTED
T.O. No. 01-25C-4
SECTION II—GROUP ASSEMBLY PARTS LISTS

FIG. NO.	INDEX NO.	STOCKED	GROUP - FUSelage						UNITS PER ASSY	PROPERTY CLASSIFICATION					
			MAJOR ASSEMBLY - CABIN ASSEMBLY (Cont.)							U.S. NAVY	U.S. ARMY	BRITISH			
			PART NUMBER	1	2	3	4	5					6	NOMENCLATURE	
31	39		87-25-551L								1		01-C	126HB	
			87-25-551R								1		01-C	126HB	
		25	85388-14A								4		01-C	126HB	
		26	1100-DS-6								4		01-C	126HB	
		40	87-25-501-29								1		01-C	126HB	
		41	87-25-501-28								1		01-C	126HB	
		42	87-25-501-18								1		01-C	126HB	
		6	85388-8A								6		01-C	126HB	
		7	1100-DS-7								6		01-C	126HB	
		43	87-25-501-17								1		01-C	126HB	
		6	85388-8A								3		01-C	126HB	
		7	1100-DS-7								3		01-C	126HB	
		25	85388-14A								3		01-C	126HB	
		26	1100-DS-6								3		01-C	126HB	
		44	87-25-501-31								1		01-C	126HB	
		45	87-25-501-30								1		01-C	126HB	
		46	87-25-550								1		01-C	126HB	
		47	87-25-501-3								1		01-C	126HB	
		48	87-25-558								1		01-C	126HB	
		6	85388-8A								6		01-C	126HB	
		7	1100-DS-7								6		01-C	126HB	
		49	1100-DS-10								10		01-C	126HB	
		50	AN960A-8L								10		04-A	128	
		51	AN340-8								10		29	128	
			87-25-598L								1		01-C	126HB	
		52	87-25-598R								1		01-C	126HB	
		53	AN505-6								5		29	128	
		54	AN340-6								5		29	128	
			87-251-1001												
		55	87-251-1001-1L											01-C	126HB
		56	87-251-1001-1R											01-C	126HB
		57	87-251-1010L											01-C	126HB
		58	87-251-1010R											01-C	126HB
			87-251-1001-8L											01-C	126HB
		59	87-251-1001-8R											01-C	126HB
			87-251-1001-14L											01-C	126HB
		60	87-251-1001-14R											01-C	126HB
			87-251-1001-9L											01-C	126HB
		61	87-251-1001-9R											01-C	126HB
		62	87-251-1001-13											01-C	126HB
		63	87-251-1013L											01-C	126HB
			87-251-1013R											01-C	126HB
		64	87-251-1015L											01-C	126HB
			87-251-1015R											01-C	126HB
		65	1095-D-8											01-C	126HB
		7	1100-DS-7											01-C	126HB
		66	1035-D-6											01-C	126HB
		7	1100-DS-7											01-C	126HB
		67	1095-D-2											01-C	126HB
		14	1100-DS-4											01-C	126HB
		68	87-251-1014L											01-C	126HB
		87-251-1014R											01-C	126HB	
	65	1095-D-8											01-C	126HB	
	7	1100-DS-7											01-C	126HB	

RESTRICTED

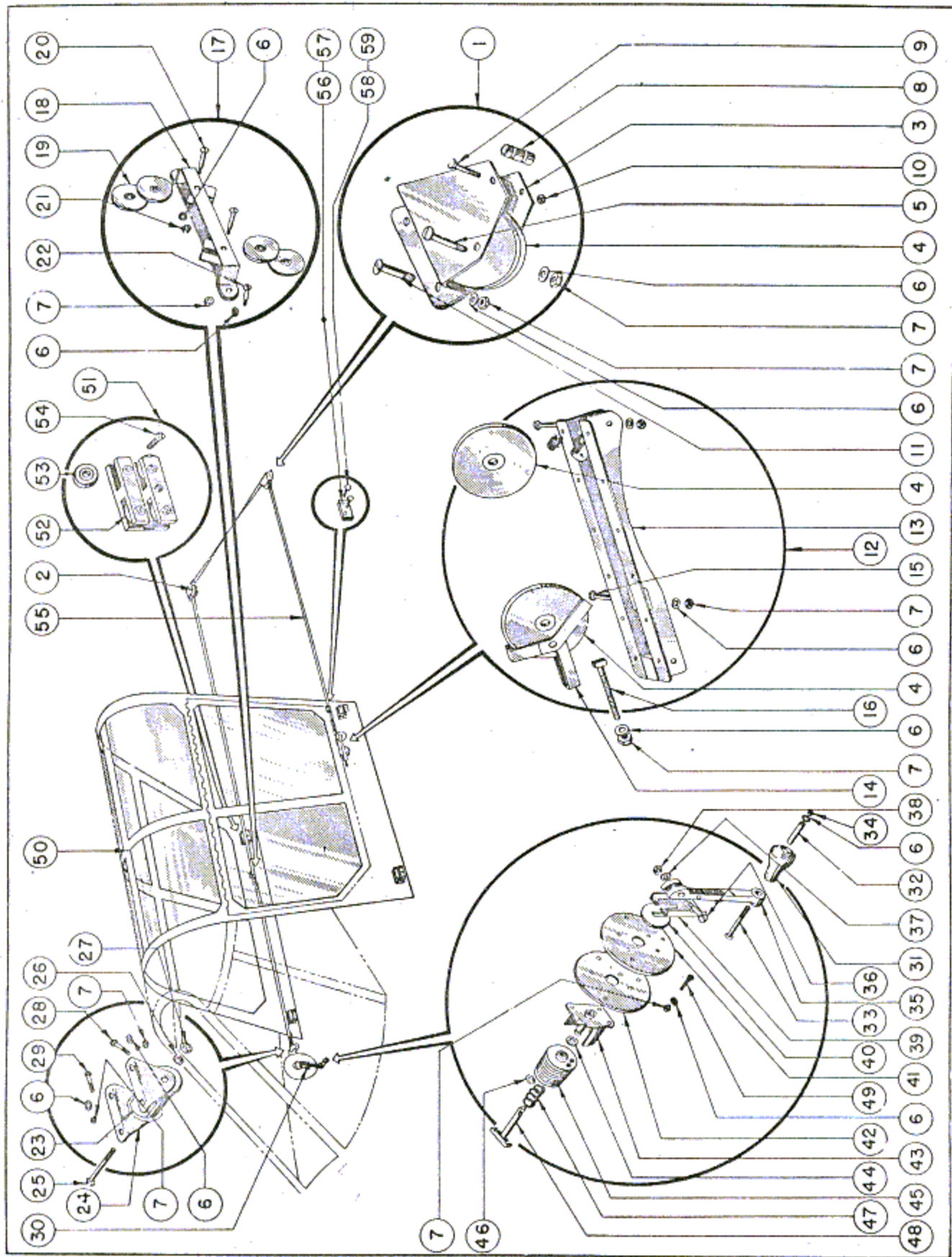


Figure 32—Cabin Controls

RESTRICTED
T. O. No. 01-25C-4

SECTION II—GROUP ASSEMBLY PARTS LISTS

FIG. NO.	INDEX NO.	STOCK REF.	GROUP - FUSELAGE						UNITS PER ASSY	PROPERTY CLASSIFICATION				
			MAJOR ASSEMBLY - CABIN ASSEMBLY (Cont.)							U.S. NAVY	U.S. ARMY	BRITISH		
			PART NUMBER	1	2	3	4	5					6	NOMENCLATURE
31	69		87-25-549L							1		01-C	126HB	
	70		87-25-549R							1		01-C	126HB	
	71		87-251-1001-10							1		01-C	126HB	
	65		1095-D-8							3		01-C	126HB	
	37		1100-DS-8							3		01-C	126HB	
	72		87-251-1009L							1		01-C	126HB	
	73		87-251-1009R							1		01-C	126HB	
	74		87-251-1016L							1		01-C	126HB	
			87-251-1016R							1		01-C	126HB	
	75		1095-D-5							4		01-C	126HB	
	26		1100-DS-6							4		01-C	126HB	
	76		87-251-1001-11							1		01-C	126HB	
	77		87-251-1001-12L							1		01-C	126HB	
	78		87-251-1001-12R							1		01-C	126HB	
	79		87-251-1001-7							1		01-C	126HB	
	49		1100-DS-10							18		01-C	126HB	
	50		AN960A-8L							18		04-A	128	
	51		AN340-8							18		29	128	
	80		1095-D-10							4		01-C	126HB	
	49		1100-DS-10							4		01-C	126HB	
32			GROUP - FUSELAGE						UNITS PER ASSY	PROPERTY CLASSIFICATION				
			MAJOR ASSEMBLY - CABIN CONTROLS							U.S. NAVY	U.S. ARMY	BRITISH		
			PART NUMBER	1	2	3	4	5					6	NOMENCLATURE
		1	87-25-507											
		2	87-25-570-1L											
		3	87-25-570-1R											
		4	87-25-581L											
		5	87-25-581R											
		6	AN210-2A											
		7	AN23-17A											
		8	AN960-10											
		9	365-1032											
		10	87-25-641											
		11	87-25-642											
		12	365-440											
		13	AN23-11											
		14	AN960-10											
		15	365-1032											
		16	87-25-570-2											
		17	87-25-609											
		18	AN210-2A											
		19	87-25-610											
		20	AN3-7											
		21	AN960-10											
		22	365-1032											
		23	87-25-611											
		24	AN960-10											
		25	365-1032											
		26	87-25-570-3											
		27	87-25-583											
		28	AN210-1A											
		29	AN23-15A											
	30	AN960-10												

SECTION II—GROUP ASSEMBLY PARTS LISTS

FIG. NO.	INDEX NO.	STOCK NO.	GROUP - FUSELAGE						UNITS PER ASSY	PROPERTY CLASSIFICATION			
			MAJOR ASSEMBLY - CABIN CONTROLS (Cont.)							U.S. NAVY	U.S. ARMY	BRITISH	
			PART NUMBER	1	2	3	4	5					6
32	21		AN345-10							2		29	128
	22		AN23-9							2		04-A	128
	6		AN960-10							2		04-A	128
	7		365-1032							2		04-A	128
	23		87-25-570-4							1		01-C	126HB
	24		87-25-584							1		01-C	126HB
	25		AN23-27							1		04-A	128
	26		AN960-10L							1		04-A	128
	27		364-1032							1		04-A	128
	28		AN23-10							2		04-A	128
	29		AN23-12							2		04-A	128
	6		AN960-10							4		04-A	128
	7		365-1032							4		04-A	128
	30		87-25-571							1		01-C	126HB
	31		58126							1		01-C	126HB
	32		87-25-111							1		01-C	126HB
	33		AN23-26							1		04-A	128
	6		AN960-10							1		04-A	128
	34		AN315-3							1		04-A	128
	35		87-25-573							1		01-C	126HB
	36		87-25-590							1		01-C	126HB
	37		AN960-8							1		04-A	128
	38		AN340-8							1		29	128
	39		87-25-631							1		01-C	126HB
	40		87-25-630							1		01-C	126HB
	41		87-25-589							1		01-C	126HB
	42		87-25-588							1		01-C	126HB
	43		87-25-580							1		01-C	126HB
	44		87-25-587							1		01-C	126HB
	45		87-25-578							1		01-C	126HB
	46		75-25-026-.055 -.591							1		01-C	126HB
	47		87-25-577							1		01-C	126HB
	48		87-25-575							1		01-C	126HB
	49		1103-DS-6							4		01-C	126HB
	6		AN960-10							4		04-A	128
	7		365-1032							4		04-A	128
	50		87-25-501									01-C	126HB
	51		87-25-555							4		01-C	126HB
	52		87-25-555-1							1		01-C	126HB
	53		K3L2							4		29	126HB
	54		1103-DC-5							4		01-C	126HB
	55		87-25-572							1		01-C	126HB
	56		87-25-606							2		01-C	126HB
	57		87-25-607L							1		01-C	126HB
			87-25-607R							1		01-C	126HB
	58		AN73-5							2		04-A	128
	59		AN960-D10							2		04-A	128

SECTION II—GROUP ASSEMBLY PARTS LISTS

FIG. NO.	INDEX NO.	STOCK #	GROUP - FUSELAGE						UNITS PER ASST	PROPERTY CLASSIFICATION		
			MAJOR ASSEMBLY - CABIN CONTROLS							U.S. NAVY	U.S. ARMY	BRITISH
			PART NUMBER	1	2	3	4	5				
33			87-25-507-10	CabinControl	Installation	D - up				01-C	126HB	
	1		87-25-570-1L	Rear Pulley	Bracket Assembly	- I.P.		1		01-C	126HB	
	2		87-25-570-1R	Rear Pulley	Bracket Assembly	- P.H.		1		01-C	126HB	
	3		87-25-581L	Bracket	- L.H.			1		01-C	126HB	
	4		87-25-581R	Bracket	- R.H.			1		01-C	126HB	
	5		AN210-2A	Pulley				1		04-A	128	
	6		AN23-17A	Bolt				1		04-A	128	
	7		AN960-10	Washer				1		04-A	128	
	8		365-1032	Nut				1		04-A	128	
	9		87-25-641	Cable	Spreader			1		01-C	126HB	
	10		87-25-642	Bolt				1		01-C	126HB	
	11		365-440	Nut				1		04-A	128	
	6		AN23-11	Bolt				2		04-A	128	
	7		AN960-10	Washer				2		04-A	128	
	7		365-1032	Nut				2		04-A	128	
	12		87-25-570-2	Return Pulley	Bracket Assembly			1		01-C	126HB	
	13		87-25-609	Bracket				1		01-C	126HB	
	4		AN210-2A	Pulley				2		04-A	128	
	14		87-25-610	Guard				1		01-C	126HB	
	15		AN3-7	Bolt				2		04-A	128	
	6		AN960-10	Washer				2		04-A	128	
	7		365-1032	Nut				2		04-A	128	
	16		87-25-611	Bolt				1		01-C	126HB	
	6		AN960-10	Washer				1		04-A	128	
	7		365-1032	Nut				1		04-A	128	
	17		87-25-570-3	Idler Pulley	Bracket Assembly			1		01-C	126HB	
	18		87-25-583	Bracket				1		01-C	126HB	
	19		AN210-1A	Pulley				4		04-A	128	
	20		AN23-15A	Bolt				2		04-A	128	
	6		AN960-10	Washer				2		04-A	128	
	21		345-10	Nut				2		04-A	128	
	22		AN23-9	Bolt				2		04-A	128	
	6		AN960-10	Washer				2		04-A	128	
	7		365-1032	Nut				2		04-A	128	
	23		87-25-570-4	Idler Spool	Bracket Assembly			1		01-C	126HB	
	24		87-25-584	Bracket				1		01-C	126HB	
	25		AN23-27	Bolt				1		04-A	128	
	26		AN960-10L	Washer				1		04-A	128	
	27		364-1032	Nut				1		04-A	128	
	28		AN23-10	Bolt				2		04-A	128	
	29		AN23-12	Bolt				2		04-A	128	
	6		AN960-10	Washer				4		04-A	128	
	7		365-1032	Nut				4		04-A	128	
	30		87-25-571	Cabin Control	Unit Assembly			1		01-C	126HB	
	31		58126	Grip				1		01-C	126HB	
	32		87-25-111	Spacer				1		01-C	126HB	
	33		AN23-26	Bolt				1		04-A	128	
	6		AN960-10	Washer				1		04-A	128	
	34		AN315-3	Nut				1		04-A	128	
	35		87-25-573	Arm				1		01-C	126HB	
	36		87-25-590	Bolt				1		01-C	126HB	
	37		AN960-8	Washer				1		04-A	128	
	38		AN340-8	Nut				1		29	128	
	39		87-25-631	Support				1		01-C	126HB	
	40		87-25-630	Washer				1		01-C	126HB	
	41		87-25-589	Rub Plate				1		01-C	126HB	
	42		87-25-588	Reinforcement				1		01-C	126HB	
	43		87-25-580	Base				1		01-C	126HB	
	44		87-25-587	Washer				1		01-C	126HB	

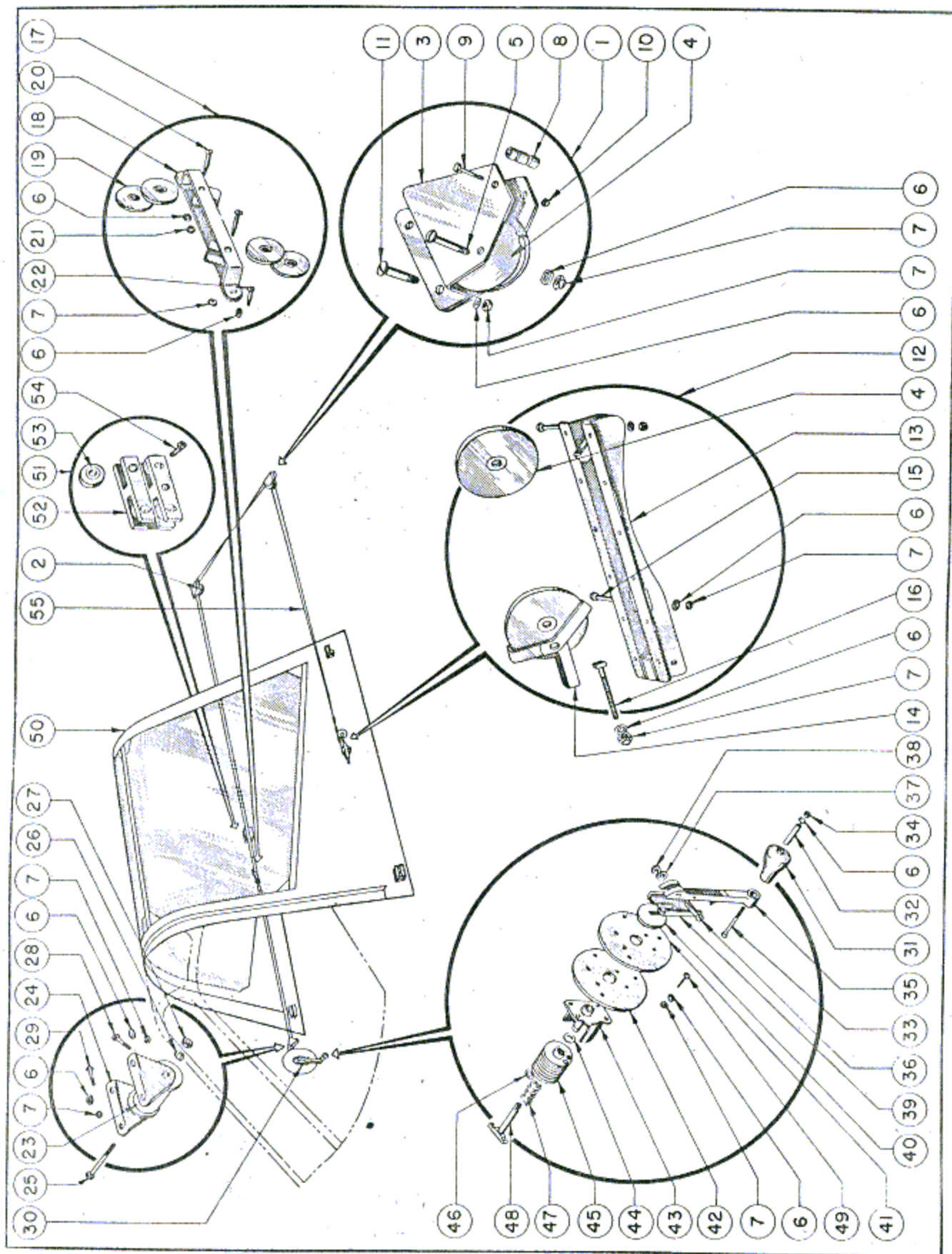


Figure 33—Cabin Controls

RESTRICTED
T. O. No. 01-25C-4

SECTION II—GROUP ASSEMBLY PARTS LISTS

FIG. NO.	INDEX NO.	STOCK NUMBER	GROUP - FUSELAGE						UNITS PER ASSY.	PROPERTY CLASSIFICATION:									
			MAJOR ASSEMBLY - CABIN CONTROLS (Cont.)							U.S. NAVY	U.S. ARMY	BRITISH							
			PART NUMBER	1	2	3	4	5					6	NOMENCLATURE					
33	45		87-25-578						Drum										
	46		75-25-026-.055-.591						Washer										
	47		87-25-577						Spring										
	48		87-25-575						Shaft										
	49		1103-DS-6						Bolt										
	6		AN960-10						Washer										
	7		365-1032						Nut										
	50		87-251-1001						Cabin Assembly			D - up							
	51		87-25-555						Roller Assembly										
	52		87-25-555-1						Fitting										
	53		K3L2						Bearing - Norma Hoffman										
	54		1103-DC-5						Bolt										
	55		87-25-572-3						Cable Installation										
	34	1		87-25-501						Cabin Assembly									
		2		87-251-1001						Cabin Assembly									
3			87-25-621L						Cabin Release Installation										
4			87-25-621R						Cabin Release Installation										
			87-251-1018L						Cabin Release Installation										
			87-251-1018R						Cabin Release Installation										
5			87-25-620L						Housing - L.H.										
			87-25-620R						Housing - R.H.										
6			87-251-1017L						Housing - L.H.										
			87-251-1017R						Housing - R.H.										
			87-25-621-1						Link Assembly										
			87-251-1018-1						Link Assembly										
7			87-25-615						Trigger										
8			87-25-616						Latch										
9			87-25-617						Link										
10			87-25-618						Pin										
11			1103-DS-5A						Bolt										
12			1101-DS-9						Screw										
13			87-25-503						Cable Assembly										
14			87-25-524L						Fitting - Cabin Lock Rod - Front										
			87-25-524R						Fitting - Cabin Lock Rod - Front										
15			87-25-531						Pulley										
11			1103-DS-5A						Bolt										
16		87-25-639						Spacer											
17		AN960-D10						Washer											
18		365-1032						Nut											
19		87-25-504						Handle Assembly											
20		AN393-29						Pin											
21		AN960-A10						Washer											
22		AN380-2-2						Cotter Pin											
		87-25-506						Panel Release Assembly											
23		87-25-534						Plate											

RESTRICTED

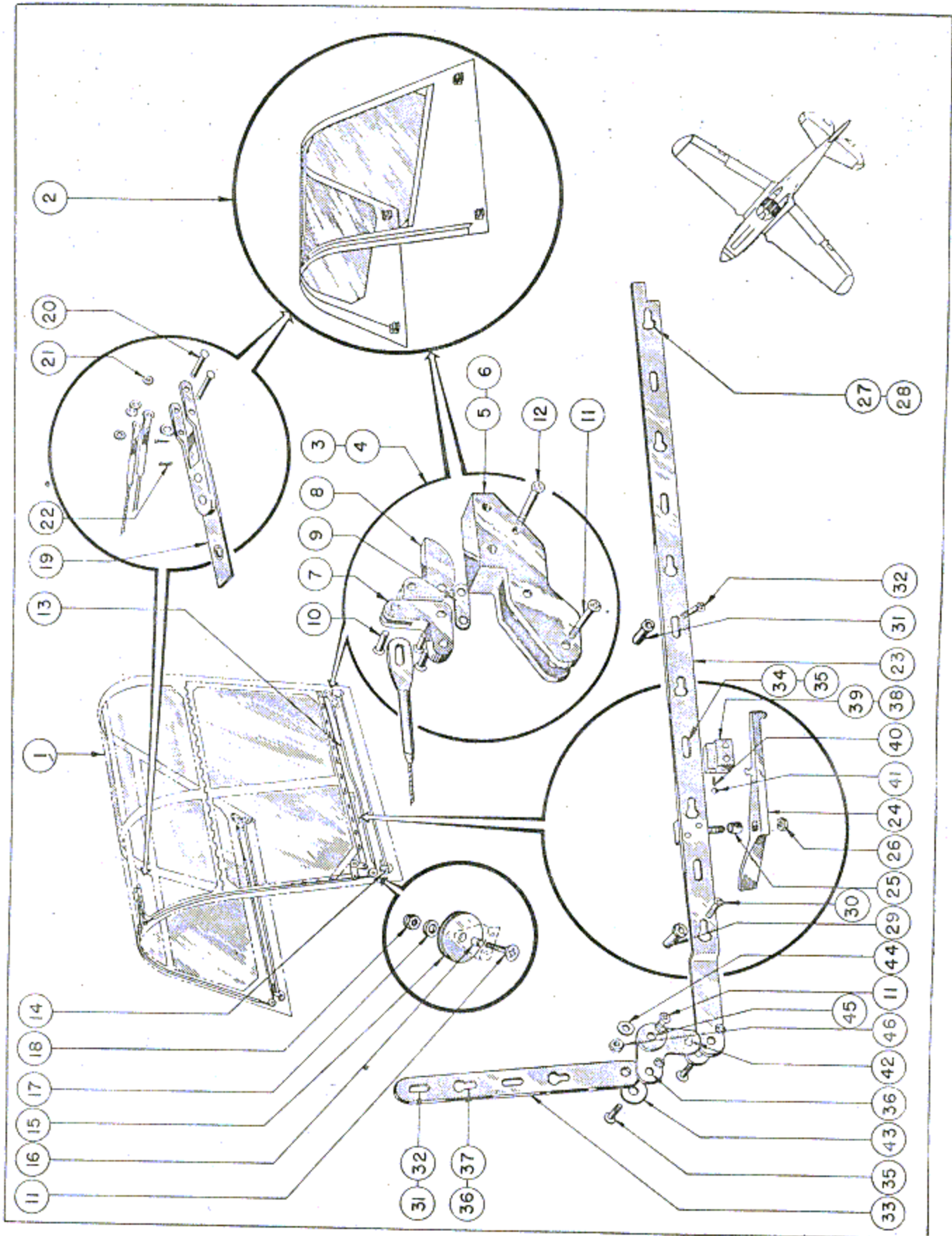


Figure 34—Cabin Release Mechanism

SECTION II—GROUP ASSEMBLY PARTS LISTS

FIG. NO.	INDEX NO.	STOCK KEY	GROUP - FUSELAGE						UNITS PER ASSY	PROPERTY CLASSIFICATION			
			MAJOR ASSEMBLY - CABIN RELEASE MECHANISM (Cont.)							U.S. NAVY	U.S. ARMY	BRITISH	
			PART NUMBER	1	2	3	4	5					6
34	24		87-25-634							1		01-C	126HB
	25		87-25-636							1		01-C	126HB
	26		AN315-3R							1		04-A	128
	27		85388-2A							1		01-C	126HB
	28		1100-DS-8							1		01-C	126HB
	29		85388-6A							5		01-C	126HB
	30		1100-DS-6							5		01-C	126HB
	31		85388-12A							6		01-C	126HB
	32		1100-DS-4							6		01-C	126HB
	33		87-25-532							1		01-C	126HB
	34		85388-11A							1		01-C	126HB
	35		1100-DS-5							1		01-C	126HB
	36		85388-14A							2		01-C	126HB
	37		1100-DS-10							2		01-C	126HB
	38		87-25-538							1		01-C	126HB
	39		87-25-538-1							1		01-C	126HB
	40		87-25-535							1		01-C	126HB
	41		87-25-538-2							1		01-C	126HB
	42		87-25-521							1		01-C	126HB
	36		85388-14A							2		01-C	126HB
	43		87-25-604							2		01-C	126HB
	35		1100-DS-5							2		01-C	126HB
	11		1103-DS-5A							1		01-C	126HB
	44		AN960-10L							1		04-A	128
	45		87-25-605							1		01-C	126HB
	46		364-1032							1		04-A	128
			Spring Lock Assembly										
			Bar										
			Spring										
			Ball										
			Lever										
			Nut										
			Washer										
			Screw										
			Bolt										
			Washer										
			Spacer										
			Nut										

FIG. NO.	INDEX NO.	STOCK KEY	GROUP - FUSELAGE						UNITS PER ASSY	PROPERTY CLASSIFICATION			
			MAJOR ASSEMBLY - REAR VISION							U.S. NAVY	U.S. ARMY	BRITISH	
			PART NUMBER	1	2	3	4	5					6
35			87-21-405-75									01-C	126HB
			87-21-405-100									01-C	126HB
			87-210-1501									01-C	126HB
	1		87-21-568-1L							1		01-C	126HB
	2		87-21-568R							1		01-C	126HB
	2		87-21-568-1R							1		01-C	126HB
	3		87-21-569L							1		01-C	126HB
			87-21-569R							1		01-C	126HB
	4		87-21-570							1		01-C	126HB
	5		87-21-570-1							1		01-C	126HB
	6		87-21-570-3L							1		01-C	126HB
			87-21-570-3R							1		01-C	126HB
	7		1103-DS-6							20		01-C	126HB
	8		364-1032							20		04-A	128
	9		87-21-570-4L							1		01-C	126HB
			87-21-570-4R							1		01-C	126HB
	10		87-21-570-5L							1		01-C	126HB
			87-21-570-5R							1		01-C	126HB
11		1103-DS-7							3		01-C	126HB	
8		364-1032							3		04-A	128	
12		87-21-576-1							2		01-C	126HB	

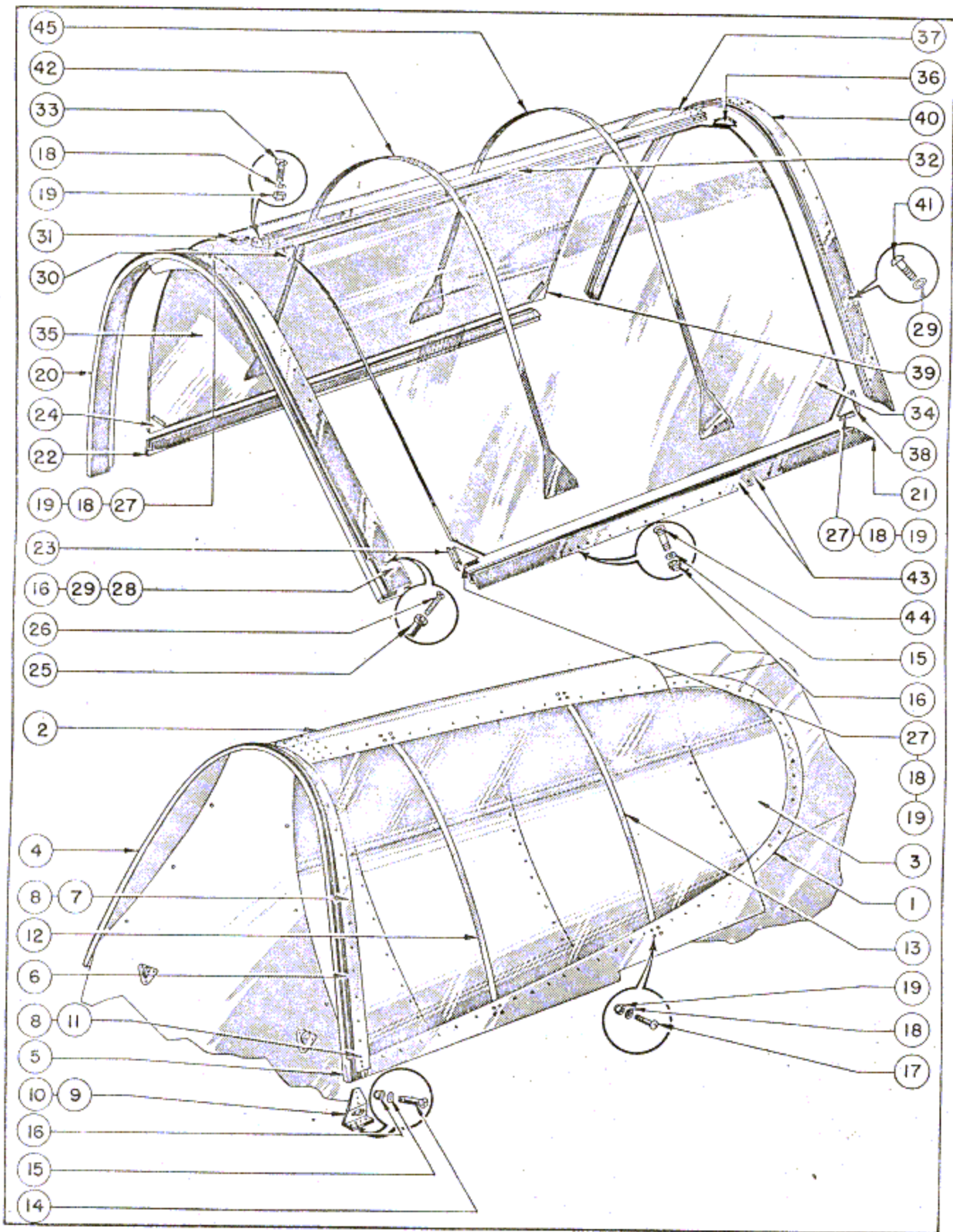


Figure 35—Rear Vision

SECTION II—GROUP ASSEMBLY PARTS LISTS

FIG. NO.	INDEX NO.	STOCKED	GROUP - FUSELAGE						UNITS PER ASSY	PROPERTY CLASSIFICATION			
			MAJOR ASSEMBLY - REAR VISION (Cont.)							U.S. NAVY	U.S. ARMY	BRITISH	
			PART NUMBER	1	2	3	4	5					6
35	13		87-21-576-2			Strap				2		01-C	126HB
	14		1101-DS-7			Bolt				8		01-C	126HB
	15		AN960-10			Washer				8		04-A	128
	16		365-1032			Nut				8		04-A	128
	17		AN526-832-8			Screw				8		29	128
	18		AN960-8			Washer				8		04-A	128
	19		365-832			Nut				8		04-A	128
35			87-210-1001			Fuselage Assembly						01-C	126HB
			87-210-1001-100			Fuselage Assembly						01-C	126HB
			87-210-1001-200			Fuselage Assembly						01-C	126HB
			87-210-1051			Installation Rear Vision						01-C	126HB
	20		87-210-1053			Frame Assembly				1		01-C	126HB
	21		87-210-1054L			Frame Assembly - L.H.				1		01-C	126HB
	22		87-210-1054R			Frame Assembly - R.H.				1		01-C	126HB
	23		87-210-1057L			Gusset - L.H.				1		01-C	126HB
	24		87-210-1057R			Gusset - R.H.				1		01-C	126HB
	25		1095-D-4			Nut				2		01-C	126HB
	26		1100-D-4			Screw				2		01-C	126HB
	27		1100-DS-10			Screw				2		01-C	126HB
	18		AN960-8			Washer				2		04-A	128
	19		365-832			Nut				2		04-A	128
	28		1103-DS-10			Screw				4		01-C	126HB
	29		AN960-10L			Washer				4		04-A	128
	16		365-1032			Nut				2		04-A	128
	30		87-210-1058L			Gusset - L.H.				1		01-C	126HB
	31		87-210-1058R			Gusset - R.H.				1		01-C	126HB
	27		1100-DS-10			Screw				2		01-C	126HB
	18		AN960-8			Washer				2		04-A	128
	19		365-832			Nut				2		04-A	128
	32		87-210-1056			Frame				1		01-C	126HB
	33		1100-DS-12			Screw				2		01-C	126HB
	18		AN960-8			Washer				2		04-A	128
	19		365-832			Nut				2		04-A	128
	34		87-210-1052L			Glass - L.H.				1		01-C	126HB
	35		87-210-1052R			Glass - R.H.				1		01-C	126HB
	36		87-210-1061L			Gusset - L.H.				1		01-C	126HB
	37		87-210-1061R			Gusset - R.H.				1		01-C	126HB
	33		1100-DS-12			Screw				2		01-C	126HB
	18		AN960-8			Washer				2		04-A	128
	19		365-832			Nut				2		04-A	128
	38		87-210-1059L			Gusset - L.H.				1		01-C	126HB
	39		87-210-1059R			Gusset - R.H.				1		01-C	126HB
	27		1100-DS-10			Screw				2		01-C	126HB
	18		AN960-8			Washer				2		04-A	128
	19		365-832			Nut				2		04-A	128
	40		87-210-1055			Frame				1		01-C	126HB
	27		1100-DS-10			Screw				8		01-C	126HB
	18		AN960-8			Washer				8		04-A	128
	19		365-832			Nut				8		04-A	128
	41		AN526-1032-10			Screw				8		29	128
29		AN960-10L			Washer				8		04-A	128	
42		87-210-1062-1			Strap				1		01-C	126HB	
43		1103-DS-5A			Screw				4		01-C	126HB	

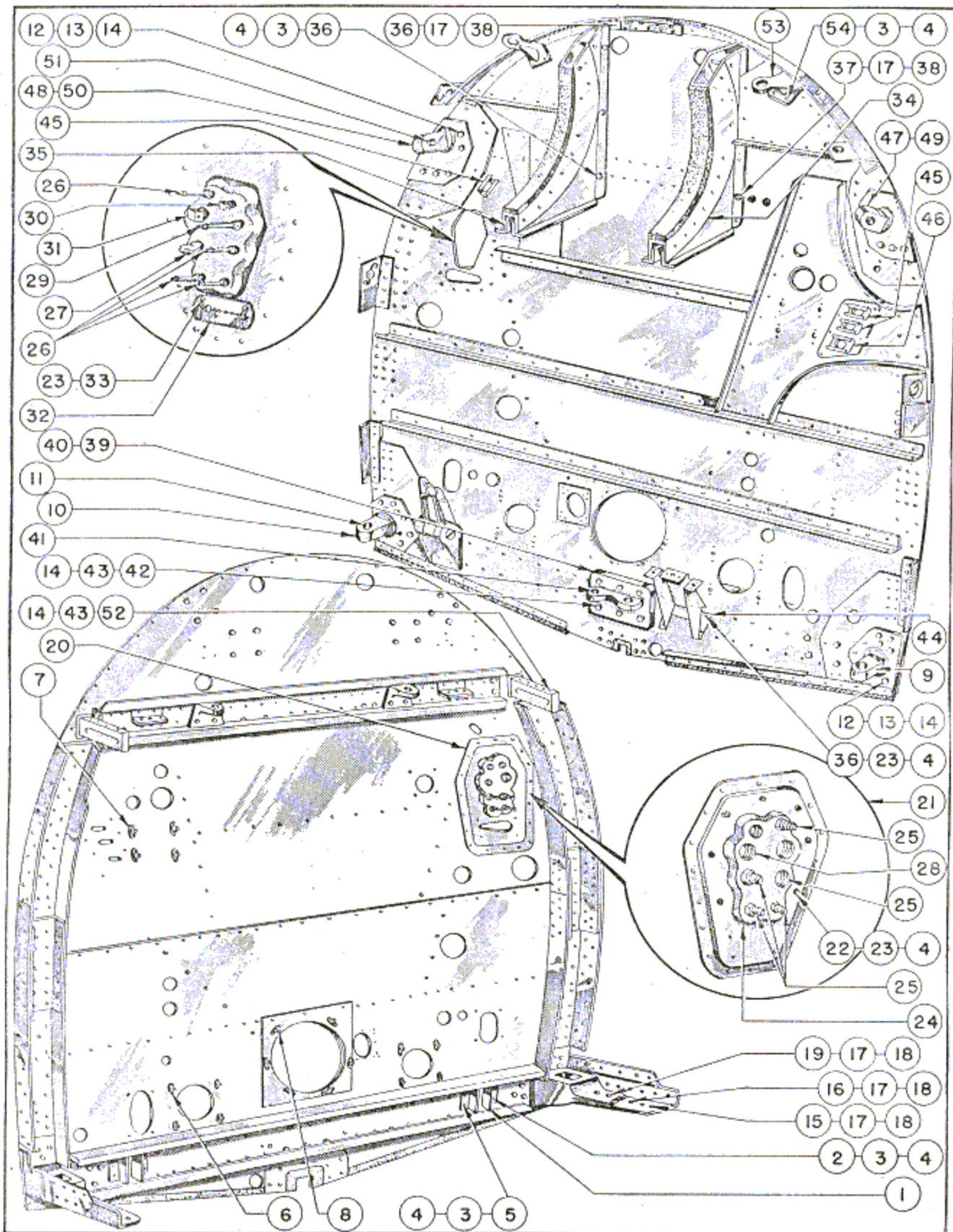


Figure 36—Firewall and Attachments

RESTRICTED
T. O. No. 01-25C-4

SECTION II—GROUP ASSEMBLY PARTS LISTS

FIG. NO.	INDEX NO.	STOCKED	GROUP - FUSELAGE						UNITS PER ASSY	PROPERTY CLASSIFICATION			
			MAJOR ASSEMBLY - REAR VISION (Cont.)							U.S. NAVY	U.S. ARMY	BRITISH	
			PART NUMBER	1	2	3	4	5					6
35	44		1103-DS-4A					Screw		2		01-C	126HB
	15		AN960-10					Washer		2		04-A	128
	16		365-1032					Nut		2		04-A	128
	45		87-210-1062-2					Strap		1		01-C	126HB
	43		1103-DS-5A					Screw		4		01-C	126HB
	44		1103-DS-4A					Screw		2		01-C	126HB
	15		AN960-10					Washer		2		04-A	128
	16		365-1032					Nut		2		04-A	128
FIG. NO.	INDEX NO.	STOCKED	GROUP - FUSELAGE						UNITS PER ASSY	PROPERTY CLASSIFICATION			
			MAJOR ASSEMBLY - FIREWALL AND ATTACHMENTS							U.S. NAVY	U.S. ARMY	BRITISH	
			PART NUMBER	1	2	3	4	5					6
36			87-21-406-50					Fuselage Skeleton Assembly	A - B	1		01-C	126HB
			87-21-745					Bulkhead - Firewall - Sta. #1		1		01-C	126HB
	1		87-21-555					Bracket		2		01-C	126HB
	2		AN3-6					Bolt		2		04-A	128
	3		AN960-10					Washer		2		04-A	128
	4		365-1032					Nut		2		04-A	128
	5		AN3-5					Bolt		2		04-A	128
	3		AN960-10					Washer		2		04-A	128
	4		365-1032					Nut		2		04-A	128
	6		75-03-291					Nut Plate		8		01-C	126HB
	7		366F1032					Nut Plate		4		01-C	128
	8		659-D-2					Nut Plate		6		01-C	128
	9		87-21-593L					Fitting - L.H.		1		01-C	126HB
	10		87-21-593R					Fitting - R.H.		1		01-C	126HB
	11		1001-D-12-1.060					Bushing		1		01-C	126HB
	12		AN5-6A					Bolt		8		04-A	128
	13		AN960-516L					Washer		8		04-A	128
	14		365-524					Nut		8		04-A	128
	15		AN24-11					Bolt		1		04-A	128
	16		AN24-12					Bolt		2		04-A	128
	17		AN960-416					Washer		3		04-A	128
	18		364-428					Nut		3		04-A	128
	19		1104-DS-6					Bolt		2		01-C	126HB
	17		AN960-416					Washer		2		04-A	128
	18		364-428					Nut		2		04-A	128
	20		87-21-255					Plate		1		01-C	126HB
	21		87-21-624					Connector Panel		1		01-C	126HB
	22		AN520-10-10					Screw		7		29	128
	23		AN960-D10					Washer		7		04-A	128
	4		365-1032					Nut		7		04-A	128
	24		87-21-256					Block		1		01-C	126HB
	25		811-FT-4					Nipple		5		04-A	128
26		835-4					Nipple		4		04-A	128	
27		75-46-047					Nipple		1		01-C	126HB	
28		811-FT-8					Nipple		1		04-A	128	
29		835-8					Nipple		1		04-A	128	
30		895-B71					Plug		1		04-A	128	
31		895-B73					Plug		1		04-A	128	
32		87-21-259					Plate		1		01-C	126HB	
33		AN502-10-8					Screw		4		04-A	128	
23		AN960-D10					Washer		4		04-A	128	

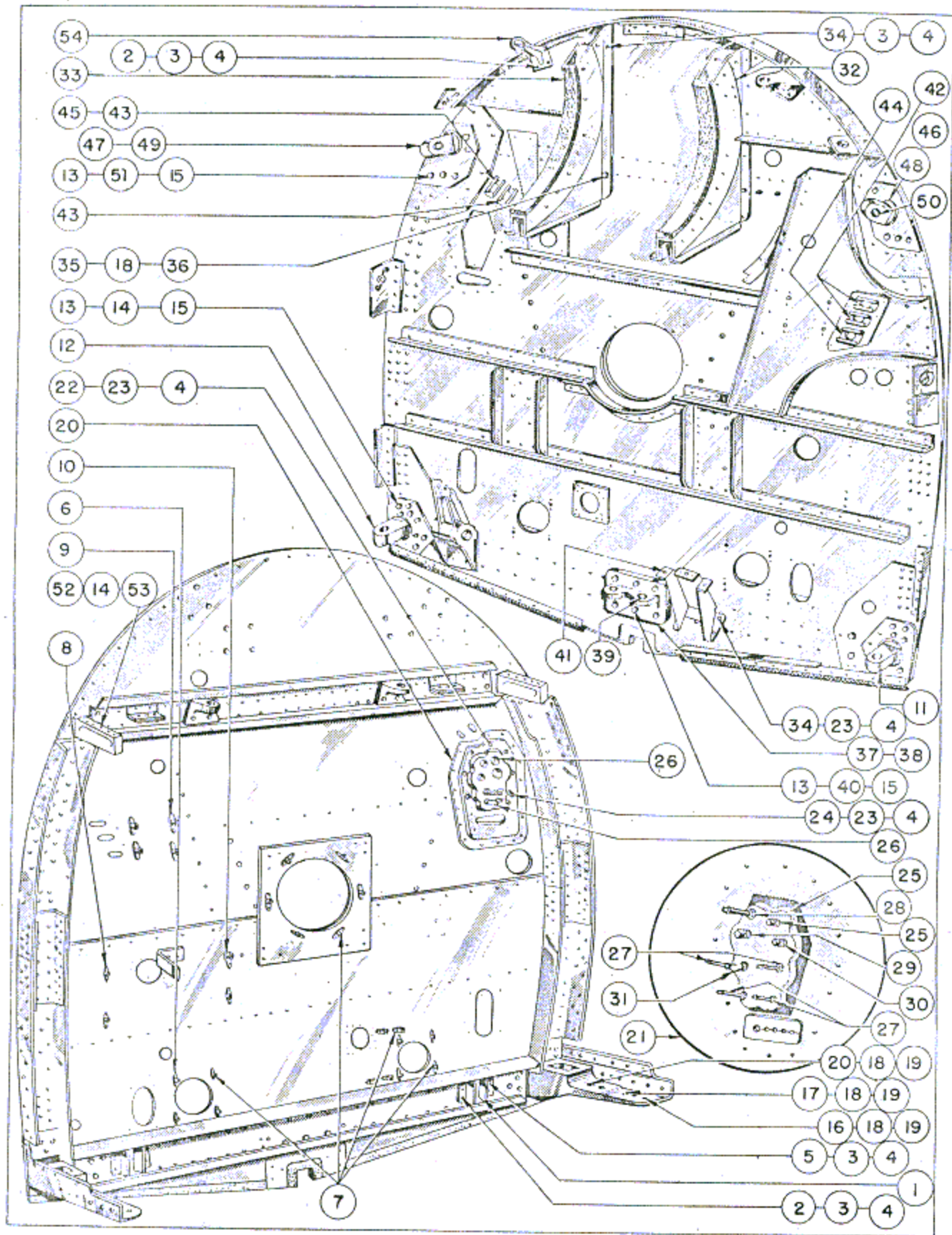


Figure 37—Firewall and Attachments

RESTRICTED
T. O. No. 01-25C-4

SECTION II—GROUP ASSEMBLY PARTS LISTS

FIG. NO.	INDEX NO.	STOCK #	GROUP - FUSELAGE						UNITS PER ASSY	PROPERTY CLASSIFICATION					
			MAJOR ASSEMBLY - FIREWALL AND ATTACHMENTS (Cont.)							U.S. NAVY	U.S. ARMY	BRITISH			
			PART NUMBER	1	2	3	4	5					6	NOMENCLATURE	
36	34		87-50-533L							1		01-C	126HB		
	35		87-50-533R							1		01-C	126HB		
	36		AN3-4							3		04-A	128		
	3		AN960-10							3		04-A	128		
	4		365-1032							3		04-A	128		
	37		AN4-5							4		04-A	128		
	17		AN960-416							4		04-A	128		
	38		365-428							4		04-A	128		
	39		87-21-597							1		01-C	126HB		
	40		87-21-597-1							1		01-C	126HB		
	41		1001-D-6-495							2		01-C	126HB		
	42		AN5-6							6		04-A	128		
	43		AN960-516							6		04-A	128		
	14		365-524							6		04-A	128		
	44		87-66-777							1		01-C	126HB		
	36		AN3-4							6		04-A	128		
	23		AN960-D10							6		04-A	128		
	4		365-1032							6		04-A	128		
	45		75-21-292-1							3		01-C	126HB		
	46		75-21-292-5							1		01-C	126HB		
	47		87-21-591L							1		01-C	126HB		
	48		87-21-591R							1		01-C	126HB		
	49		87-21-591-1L							1		01-C	126HB		
	50		87-21-591-1R							1		01-C	126HB		
	51		1001-D-12-.870							1		01-C	126HB		
	12		AN5-6A							5		04-A	128		
	13		AN960-516L							5		04-A	128		
	14		365-524							5		04-A	128		
	52		AN5-27							5		04-A	128		
	43		AN960-516							5		04-A	128		
	14		364-524							5		04-A	128		
	53		87-29-733							2		01-C	126HB		
	54		AN3-5							4		04-A	128		
	3		AN960-10							4		04-A	128		
	4		365-1032							4		04-A	128		
	37			87-210-1502									01-C	126HB	
				87-210-1002									01-C	126HB	
				87-210-1101											
				87-210-1401								1		01-C	126HB
	1			87-21-555									01-C	126HB	
	2			AN3-5									01-C	126HB	
	3			AN960-10									04-A	128	
	4			365-1032									04-A	128	
	5			AN3-6									04-A	128	
	3			AN960-10									04-A	128	
	4			365-1032									04-A	128	

RESTRICTED

RESTRICTED
T. O. No. 01-25C-4

SECTION II—GROUP ASSEMBLY PARTS LISTS

FIG. NO.	INDEX NO.	S T O C K E D	GROUP- FUSelage						UNITS PER ASSY	PROPERTY CLASSIFICATION			
			MAJOR ASSEMBLY - FIREWALL AND ATTACHMENTS (Cont.)							U.S. NAVY	U.S. ARMY	BRITISH	
			PART NUMBER	1	2	3	4	5					6
37	6												
	7	75-03-291-1							6		01-C	126HB	
	8	22A10-02							12		04-A	128	
	9	22A10-82							3		04-A	128	
	10	366F1032							4		04-A	128	
		22A17-82							1		04-A	128	
		87-21-593L								1		01-C	126HB
		87-21-593R								1		01-C	126HB
		AN5-6A								8		04-A	128
		AN960-516								8		04-A	128
		365-524								8		04-A	128
		AN24-11								1		04-A	128
		AN24-12								2		04-A	128
		AN960-416								3		04-A	128
		364-428								3		04-A	128
		1104-DS-6								2		01-C	126HB
		AN960-416								2		04-A	128
		364-428								2		04-A	128
		87-210-1137								1		01-C	126HB
		87-210-1135								1		01-C	126HB
		AN510-10-10								2		29	128
		AN960-D10								2		04-A	128
		365-1032								2		04-A	128
		AN520-10-10								5		29	128
		AN960-D10								5		04-A	128
		365-1032								5		04-A	128
		87-210-1136								1		01-C	126HB
		811-FT-4D								5		04-A	128
		840-4D								5		04-A	128
		AN913-2D								1		04-A	128
		AN913-3D								1		04-A	128
		AN913-4D								1		04-A	128
		AN914-1								1		04-A	128
		87-50-533L								1		01-C	126HB
		87-50-533R								1		01-C	126HB
		AN3-4								3		04-A	128
		AN960-10								3		04-A	128
		365-1032								3		04-A	128
		AN4-5								4		04-A	128
		AN960-416								4		04-A	128
		365-428								4		04-A	128
		87-21-597								1		01-C	126HB
		87-21-597-1								1		01-C	126HB
		1001-D-6-.495								2		01-C	126HB
		AN5-6A								6		04-A	128
		AN960-D516								6		04-A	128
		365-524								6		04-A	128
		87-66-777								1		01-C	126HB
	AN3-4								6		04-A	128	
	AN960-D10								6		04-A	128	
	365-1032								6		04-A	128	
	75-21-292-1								2		01-C	126HB	
	75-21-292-2								2		01-C	126HB	
	75-21-292-2								1		01-C	126HB	
	75-21-292-5								1		01-C	126HB	
	75-21-292-6								1		01-C	126HB	
	87-21-591L								1		01-C	126HB	
	87-21-591R								1		01-C	126HB	
	87-21-591-1L								1		01-C	126HB	

RESTRICTED
T. O. No. 01-25C-4

SECTION II—GROUP ASSEMBLY PARTS LISTS

FIG. NO.	INDEX NO.	STOCK NO.	GROUP - FUSELAGE						UNITS PER ASSY	PROPERTY CLASSIFICATION				
			MAJOR ASSEMBLY - FIREWALL AND ATTACHMENTS (Cont.)							U.S. NAVY	U.S. ARMY	BRITISH		
			PART NUMBER	1	2	3	4	5					6	NOMENCLATURE
37	49		87-21-591-1R						Fitting - R.H.	1		01-C	126HB	
	50		1001-D-12-.870						Bushing	1		01-C	126HB	
	13		AN5-GA						Bolt	5		04-A	128	
	51		AN960-516L						Washer	5		04-A	128	
	15		365-524						Nut	5		04-A	128	
	52		AN5-27						Bolt	5		04-A	128	
	14		AN960-516						Washer	5		04-A	128	
	53		364-524						Nut	5		04-A	128	
	54		87-29-733						Bracket	2		01-C	126HB	
	2		AN3-5						Bolt	4		04-A	128	
	3		AN960-10						Washer	4		04-A	128	
	4		365-1032						Nut	4		04-A	128	
	38			87-21-406-50						Fuselage Skeleton Assembly A - B	1		01-C	126HB
				87-210-1502						Fuselage Skeleton Assembly C	1		01-C	126HB
			87-210-1002						Fuselage Skeleton Assembly D - up	1		01-C	126HB	
1			87-21-617L						Bulkhead Assembly - Sta. #1A - L.H.	1		01-C	126HB	
2			87-21-617-1L						Upper Assembly - L.H.	1		01-C	126HB	
3			87-21-131R						Clip - R.H.	1		01-C	126HB	
4			AN23-8						Bolt	1		04-A	128	
5			AN23-9						Bolt	1		04-A	128	
6			AN23-10						Bolt	1		04-A	128	
7			AN960-D10						Washer	3		04-A	128	
8			364-1032						Nut	3		04-A	128	
9			87-21-617-2L						Lower Assembly - L.H.	1		01-C	126HB	
10			87-21-131L						Clip - L.H.	1		01-C	126HB	
4			AN23-8						Bolt	1		04-A	128	
5			AN23-9						Bolt	1		04-A	128	
6			AN23-10						Bolt	1		04-A	128	
7			AN960-D10						Washer	3		04-A	128	
8			364-1032						Nut	3		01-C	128	
11			87-21-585L						Fitting - L.H.	1		04-A	126HB	
12			AN26-16						Bolt	3		04-A	128	
13			AN960-D616						Washer	3		04-A	128	
14			364-624						Nut	3		04-A	128	
15			AN23-14						Bolt	1		04-A	128	
7			AN960-D10						Washer	1		04-A	128	
8			364-1032						Nut	1		04-A	128	
16			87-21-617R						Bulkhead Assembly - Sta. #1A - R.H.	1		01-C	126HB	
17			87-21-617-1R						Upper Assembly - R.H.	1		01-C	126HB	
10			87-21-131L						Clip - L.H.	1		01-C	126HB	
4			AN23-8						Bolt	1		01-A	128	
5			AN23-9						Bolt	1		04-A	128	
6			AN23-10						Bolt	1		04-A	128	
7			AN960-D10						Washer	3		04-A	128	
8		364-1032						Nut	3		04-A	128		
18		87-21-617-2R						Lower Assembly - R.H.	1		01-C	126HB		
3		87-21-131R						Clip - R.H.	1		01-C	126HB		
4		AN23-8						Bolt	1		04-A	128		
5		AN23-9						Bolt	1		04-A	128		
6		AN23-10						Bolt	1		04-A	128		

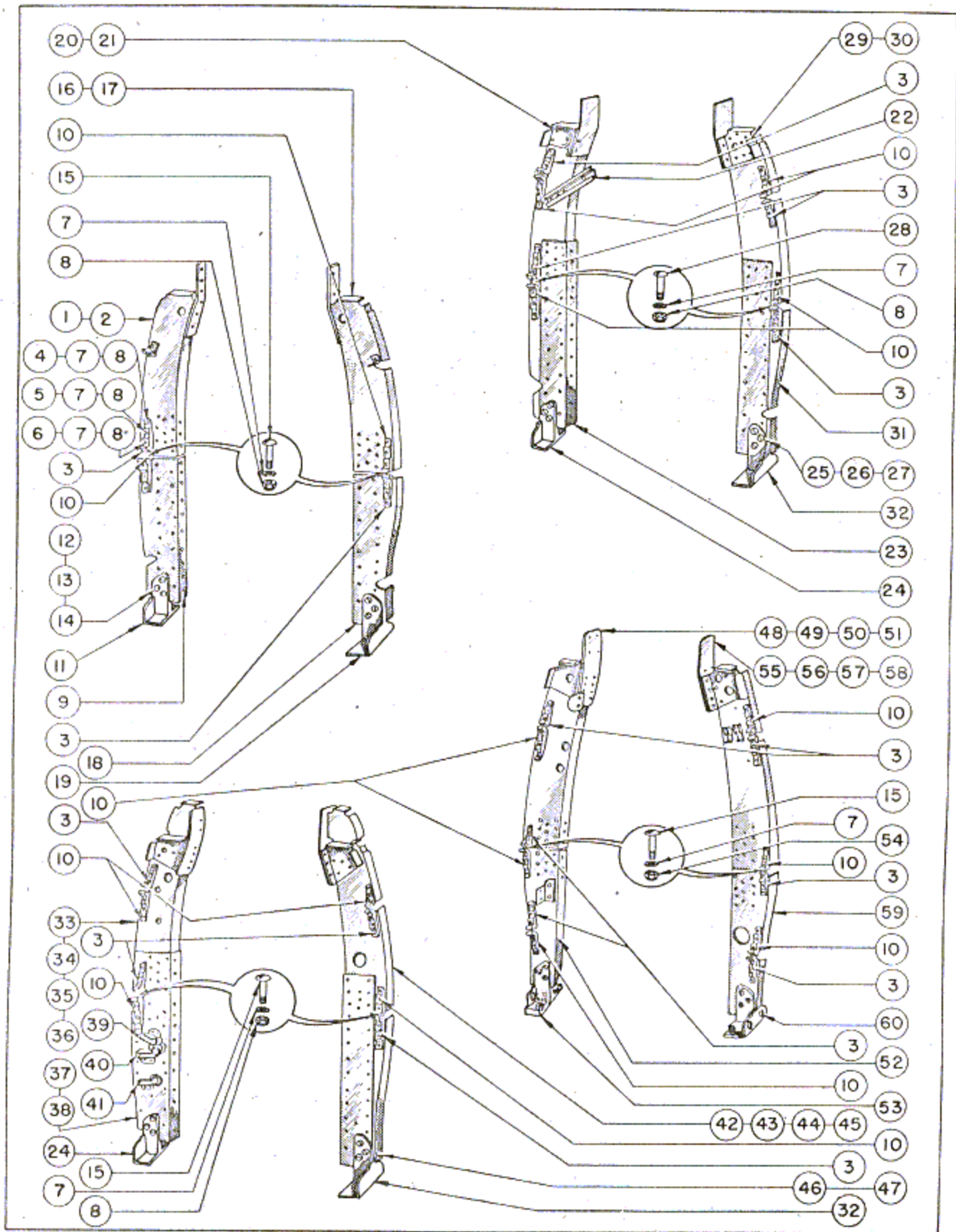


Figure 38—Fuselage Bulkheads 1A, 2, 3, and 4

RESTRICTED
T. O. No. 01-25C-4

SECTION II—GROUP ASSEMBLY PARTS LISTS

FIG. NO.	INDEX NO.	S T O C K E D	GROUP - FUSELAGE						UNITS PER ASSY	PROPERTY CLASSIFICATION		
			MAJOR ASSEMBLY - FUSELAGE BULKHEADS 1A, 2, 3, and 4 (Cont.)							U.S. NAVY	U.S. ARMY	BRITISH
			PART NUMBER	1	2	3	4	5				
38	7								3		04-A	128
	8								3		04-A	128
	19								1		01-C	126HB
	12								3		04-A	128
	13								3		04-A	128
	14								3		04-A	128
	15								1		04-A	128
	7								1		04-A	128
	8								1		04-A	128
	20								1		01-C	126HB
	21								1		01-C	126HB
	10								1		01-C	126HB
	3								2		01-C	126HB
	4								1		04-A	128
	5								1		04-A	128
	6								1		04-A	128
	7								3		04-A	128
	8								3		04-A	128
	22								1		01-C	126HB
	23								1		01-C	126HB
	10								1		01-C	126HB
	4								1		04-A	128
	5								1		04-A	128
	6								1		04-A	128
	7								3		04-A	128
	8								3		04-A	128
	24								1		01-C	126HB
	25								3		04-A	128
	26								3		04-A	128
	27								3		04-A	128
	28								2		04-A	128
	7								2		04-A	128
	8								2		04-A	128
29								1		01-C	126HB	
30								1		01-C	126HB	
10								2		01-C	126HB	
3								1		01-C	126HB	
4								1		04-A	128	
5								1		04-A	128	
6								1		04-A	128	
7								3		04-A	128	
8								3		04-A	128	
31								1		01-C	126HB	
3								1		01-C	126HB	
4								1		04-A	128	
5								1		04-A	128	
6								1		04-A	128	
7								3		04-A	128	
8								3		04-A	128	
32								1		01-C	126HB	
25								3		04-A	128	
26								3		04-A	128	
27								3		04-A	128	
28								2		04-A	128	
7								2		04-A	128	
8								2		04-A	128	
33								1		01-C	126HB	
34								1		01-C	126HB	

RESTRICTED

RESTRICTED
T. O. No. 01-25C-4

SECTION II—GROUP ASSEMBLY PARTS LISTS

FIG. NO.	INDEX NO.	GROUP - FUSELAGE						UNITS PER ASSY	PROPERTY CLASSIFICATION				
		MAJOR ASSEMBLY - FUSELAGE BULKHEADS 1A, 2, 3, and 4 (Cont.)							U.S. NAVY	U.S. ARMY	BRITISH		
		PART NUMBER	1	2	3	4	5					6	NOMENCLATURE
38	35	87-21-603-40L											
	36	87-21-603-1L											
	10	87-21-131L											
	3	87-21-131R											
	4	AN23-8											
	5	AN23-9											
	6	AN23-10											
	7	AN960-D10											
	8	364-1032											
	37	87-21-603-2L											
	38	87-21-603-42L											
	10	87-21-131L											
	4	AN23-8											
	5	AN23-9											
	6	AN23-10											
	7	AN960-D10											
	8	364-1032											
	39	A-770-8L											
	40	A-770-14R											
	41	1041-DAU-12R											
	24	87-21-184-1L											
	25	AN25-15A											
	26	AN960-D516											
	27	364-524											
	15	AN23-14											
	7	AN960-D10											
	8	364-1032											
	42	87-21-603R											
	43	87-21-603-20R											
	44	87-21-603-40R											
	45	87-21-603-1R											
	10	87-21-131L											
	3	87-21-131R											
	4	AN23-8											
	5	AN23-9											
	6	AN23-10											
	7	AN960-D10											
	8	364-1032											
	16	87-21-603-2R											
	47	87-21-603-42R											
	3	87-21-131R											
	4	AN23-8											
	5	AN23-9											
	6	AN23-10											
	7	AN960-D10											
	8	364-1032											
	32	87-21-184-1R											
	25	AN25-15A											
	26	AN960-D516											
	27	364-524											
	15	AN23-14											
	7	AN960-D10											
	8	364-1032											
	48	87-21-604L											
	49	87-21-604-20L											

RESTRICTED
T. O. No. 01-25C-4

SECTION II—GROUP ASSEMBLY PARTS LISTS

FIG. NO.	INDEX NO.	STOCK #	GROUP - FUSELAGE						UNITS PER ASSY	PROPERTY CLASSIFICATION			
			MAJOR ASSEMBLY - FUSELAGE BULKHEADS 1A, 2, 3, and 4 (Cont.)							U.S. NAVY	U.S. ARMY	BRITISH	
			PART NUMBER	1	2	3	4	5					6
38	50		87-21-604-1L						Upper Assembly - L.H.	A - B	1	01-C	126HB
	51		87-21-604-21L						Upper Assembly - L.H.	C - up	1	01-C	126HB
	10		87-21-131L						Clip - L.H.		1	01-C	126HB
	3		87-21-131R						Clip - R.H.		2	01-C	126HB
	4		AN23-8						Bolt		1	04-A	128
	5		AN23-9						Bolt		1	04-A	128
	6		AN23-10						Bolt		1	04-A	128
	7		AN960-D10						Washer		3	04-A	128
	8		364-1032						Nut		3	04-A	128
	52		87-21-604-2L						Lower Assembly - L.H.		1	01-C	126HB
	10		87-21-131L						Clip - L.H.		2	01-C	126HB
	3		87-21-131R						Clip - R.H.		1	01-C	126HB
	4		AN23-8						Bolt		1	04-A	128
	5		AN23-9						Bolt		1	04-A	128
	6		AN23-10						Bolt		1	04-A	128
	7		AN960-D10						Washer		3	04-A	128
	8		364-1032						Nut		3	04-A	128
	53		87-21-584L						Fitting - L.H.		1	01-C	126HB
	25		AN25-15A						Bolt		3	04-A	128
	26		AN960-D516						Washer		3	04-A	128
	27		364-524						Nut		3	04-A	128
	15		AN23-14						Bolt		3	04-A	128
	7		AN960-D10						Washer		3	04-A	128
	54		365-1032						Nut		3	04-A	128
	55		87-21-604R						Bulkhead Assembly - Sta.#4	- R.H. A - B	1	01-C	126HB
	56		87-21-604-20R						Bulkhead Assembly - Sta.#4	- R.H. C - up	1	01-C	126HB
	57		87-21-604-1R						Upper Assembly - R.H.	A - B	1	01-C	126HB
	58		87-21-604-21R						Upper Assembly - R.H.	C - up	1	01-C	126HB
	10		87-21-131L						Clip - L.H.		2	01-C	126HB
	3		87-21-131R						Clip - R.H.		1	01-C	126HB
	4		AN23-8						Bolt		1	04-A	128
	5		AN23-9						Bolt		1	04-A	128
	6		AN23-10						Bolt		1	04-A	128
	7		AN960-D10						Washer		3	04-A	128
	8		364-1032						Nut		3	04-A	128
	39		87-21-604-2R						Lower Assembly - R.H.		1	01-C	126HB
	10		87-21-131L						Clip - L.H.		1	01-C	126HB
	3		87-21-131R						Clip - R.H.		2	01-C	126HB
	4		AN23-8						Bolt		1	04-A	128
	5		AN23-9						Bolt		1	04-A	128
	6		AN23-10						Bolt		1	04-A	128
	7		AN960-D10						Washer		3	04-A	128
	8		364-1032						Nut		3	04-A	128
	60		87-21-584R						Fitting - R.H.		1	01-C	126HB
	25		AN25-15A						Bolt		3	04-A	128
	26		AN960-D516						Washer		3	04-A	128
	27		364-524						Nut		3	04-A	128
	15		AN23-14						Bolt		3	04-A	128
	7		AN960-D10						Washer		3	04-A	128
	54		365-1032						Nut		3	04-A	128

RESTRICTED

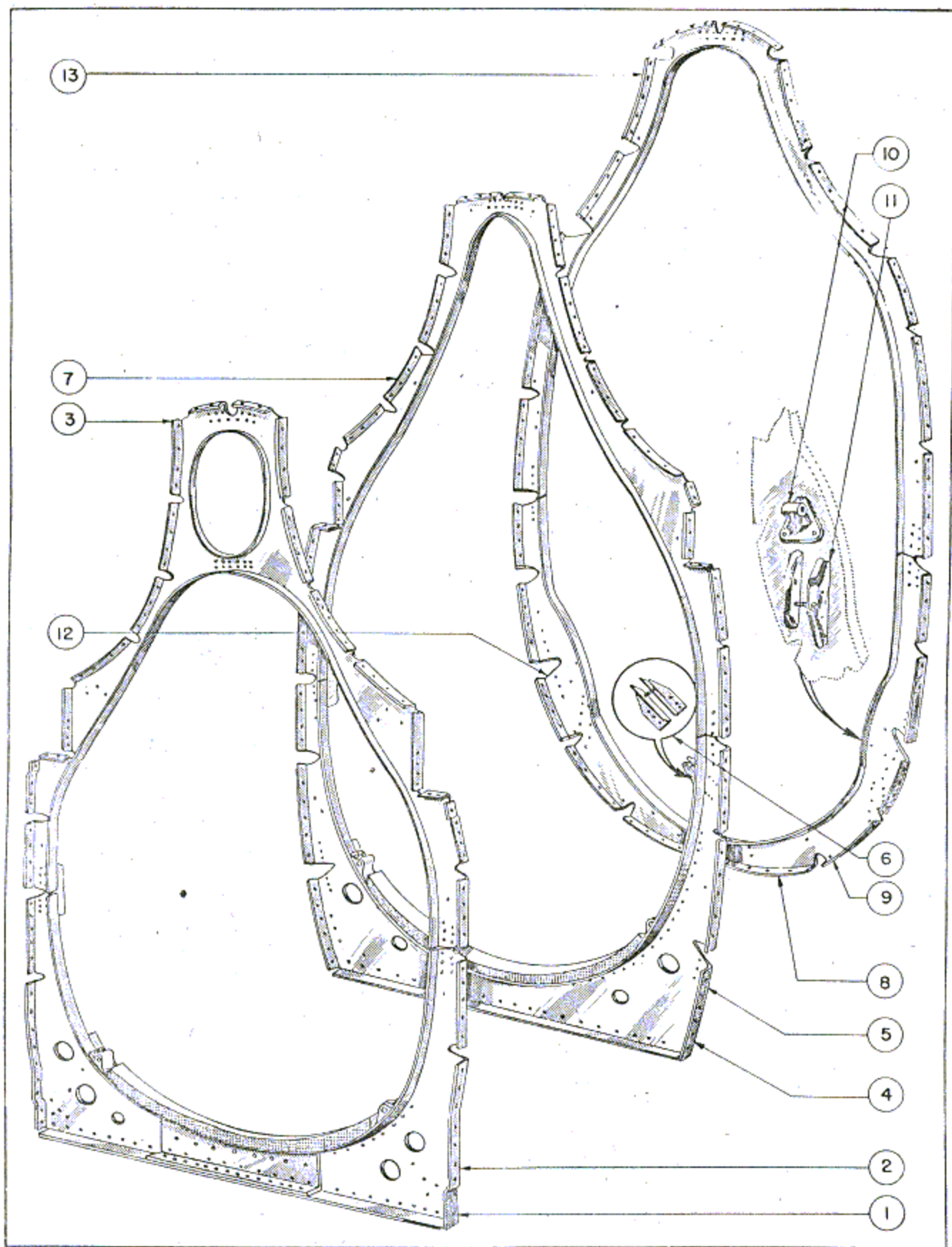


Figure 39—Fuselage Bulkheads 6, 7, and 8.

RESTRICTED
T. O. No. 01-25C-4

SECTION II—GROUP ASSEMBLY PARTS LISTS

FIG. NO.	INDEX NO.	STOCK NO.	GROUP - FUSELAGE						UNITS PER ASSY	PROPERTY CLASSIFICATION		
			MAJOR ASSEMBLY - FUSELAGE BULKHEADS 6, 7, and 8							U.S. NAVY	U.S. ARMY	BRITISH
			PART NUMBER	1	2	3	4	5				
39			87-21-406-50	Fuselage	Skeleton	Assembly		A - B			01-C	126HB
	1		87-210-1502	Fuselage	Skeleton	Assembly		C			01-C	126HB
	2		87-21-606	Bulkhead	Assembly	- Sta.#6		A - C	1		01-C	126HB
	3		87-21-606-1	Frame	Assembly	- Lower			1		01-C	126HB
			87-21-606-2	Frame	Assembly	- Upper			1		01-C	126HB
	4		87-21-607	Bulkhead	Assembly	- Sta.#7		A - C	1		01-C	126HB
	5		87-21-607-1	Frame	Assembly	- Lower			1		01-C	126HB
	6		87-64-013-3	Bracket					2		01-C	126HB
	7		87-21-607-2	Frame	Assembly	- Upper			1		01-C	126HB
	8		87-21-608	Bulkhead	Assembly	- Sta.#8		A - C	1		01-C	126HB
	9		87-21-608-1	Frame	Assembly	- Lower			1		01-C	126HB
	10		87-64-012	Bearing					2		01-C	126HB
	11		87-64-014-3L	Bracket					1		01-C	126HB
12		87-64-014-3R	Bracket					1		01-C	126HB	
13		87-21-608-2	Frame	Assembly	- Upper			1		01-C	126HB	
40			87-210-1002	Fuselage	Skeleton	Assembly		D - up			01-C	126HB
	1		87-210-1106	Bulkhead	Assembly	- Sta.#6		D - up	1		01-C	126HB
	2		87-210-1106-1	Frame	Assembly	- Lower			1		01-C	126HB
	3		87-210-1106-2	Frame	Assembly	- Upper - L.H.			1		01-C	126HB
	4		87-210-1132-1L	Support	- L.H.				1		01-C	126HB
	5		87-210-1132-2L	Support	- L.H.				1		01-C	126HB
	6		87-210-1130L	Clip	- L.H.				1		01-C	126HB
	7		87-210-1106-8	Frame	Assembly	- Upper - R.H.			1		01-C	126HB
	8		87-210-1132-1R	Support	- R.H.				1		01-C	126HB
	9		87-210-1132-2R	Support	- R.H.				1		01-C	126HB
	10		87-210-1130R	Clip	- R.H.				1		01-C	126HB
	11		87-210-1107	Bulkhead	Assembly	- Sta.#7		D - up	1		01-C	126HB
	12		87-210-1107-1	Frame	Assembly	- Lower			1		01-C	126HB
	13		87-64-013L	Bracket					1		01-C	126HB
	14		87-64-013R	Bracket					1		01-C	126HB
	15		87-210-1107-2	Frame	Assembly	- Upper			1		01-C	126HB
	16		87-210-1107-8	Channel					1		01-C	126HB
	17		87-210-1108	Bulkhead	Assembly	- Sta.#8		D - up	1		01-C	126HB
	18		87-210-1108-1	Frame	Assembly	- Lower			1		01-C	126HB
	19		87-64-012	Bearing					2		01-C	126HB
	20		87-64-014L	Bracket					1		01-C	126HB
	21		87-64-014R	Bracket					1		01-C	126HB
	22		87-210-1108-2	Frame	Assembly	- Upper			1		01-C	126HB
	23		87-210-1034L	Clip					1		01-C	126HB
	24		87-210-1034R	Clip					1		01-C	126HB
	25		AN3-5A	Bolt					1		04-A	128
	26		AN960-10	Washer					1		04-A	125
27		365-1032	Nut					1		04-A	128	

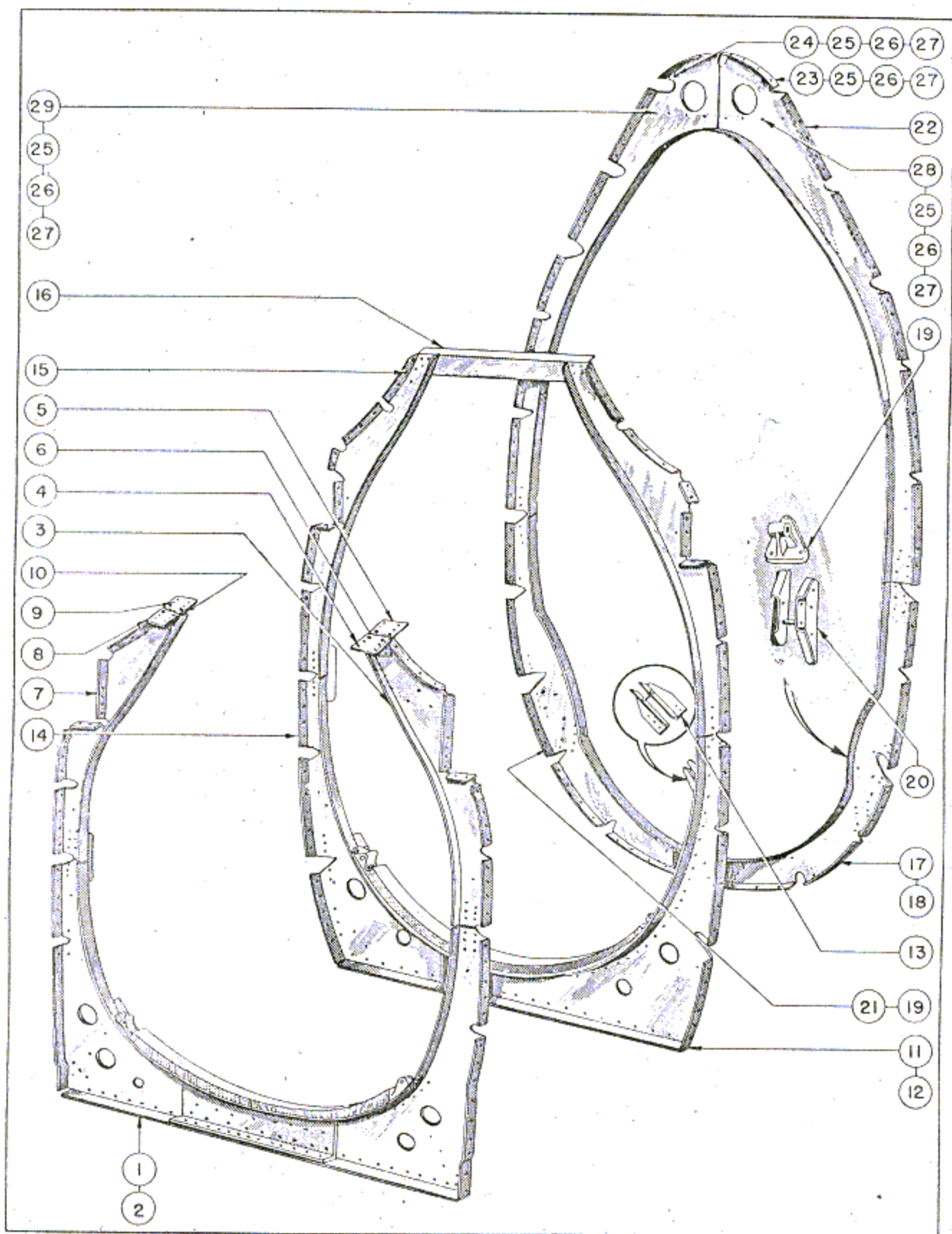


Figure 40—Fuselage Bulkheads 6, 7, and 8

SECTION II—GROUP ASSEMBLY PARTS LISTS

FIG. NO.	INDEX NO.	STOCK #	GROUP - FUSELAGE						UNITS PER ASSY	PROPERTY CLASSIFICATION				
			MAJOR ASSEMBLY - FUSELAGE BULKHEADS 6, 7, and 8 (Cont.)							U.S. NAVY	U.S. ARMY	BRITISH		
			PART NUMBER	1	2	3	4	5	6	NOMENCLATURE				
40	28		87-210-1108-11L							Channel	1		01-C	126HB
	29		87-210-1108-11R							Channel				
	25		AN3-5A							Bolt				
	26		AN960-10							Washer				
	27		365-1032							Nut				
1											2			
2											2		04-A	128
2											2		04-A	128
2											2		04-A	128
2											2		04-A	128
FIG. NO.	INDEX NO.	STOCK #	GROUP - FUSELAGE						UNITS PER ASSY	PROPERTY CLASSIFICATION				
			MAJOR ASSEMBLY - FUSELAGE BULKHEADS 9, 10, and 11							U.S. NAVY	U.S. ARMY	BRITISH		
			PART NUMBER	1	2	3	4	5	6	NOMENCLATURE				
41			87-21-406-50							Fuselage Skeleton Assembly A - B	1		01-C	126HB
			87-210-1502							Fuselage Skeleton Assembly C				
			87-210-1002							Fuselage Skeleton Assembly D - J				
			87-210-1002-100							Fuselage Skeleton Assembly K - R				
			87-210-1002-200							Fuselage Skeleton Assembly S - up				
	1		87-21-609-10							Bulkhead Assembly - Sta.#9 A - B				
	1		87-21-609							Bulkhead Assembly - Sta.#9 C - up				
	2		87-21-609-1							Ring Assembly - Upper				
	3		87-67-873							Support				
	4		87-21-609-2							Ring Assembly - Lower				
	5		75-67-500							Angle				
	6		AN515-8-8							Screw				
	7		AN960-8							Washer				
	8		AN936-B8							Washer				
	9		365-832							Nut				
	10		87-88-544							Clip				
	11		AN515-06-7							Screw				
	12		AN960-D8							Washer				
9		365-832							Nut					
13		87-21-610							Bulkhead Assembly - Sta.#10					
14		87-21-610-1							Ring Assembly - Upper					
15		87-21-610-2							Ring Assembly - Lower					
16		87-21-611							Bulkhead Assembly - Sta.#11					
17		87-21-611-1							Ring Assembly - Upper					
18		87-21-611-2							Ring Assembly - Lower					
FIG. NO.	INDEX NO.	STOCK #	GROUP - FUSELAGE						UNITS PER ASSY	PROPERTY CLASSIFICATION				
			MAJOR ASSEMBLY - FUSELAGE BULKHEADS 12, 13, and 14							U.S. NAVY	U.S. ARMY	BRITISH		
			PART NUMBER	1	2	3	4	5	6	NOMENCLATURE				
12			87-21-406-50							Fuselage Skeleton Assembly A - B			01-C	126HB
			87-210-1502							Fuselage Skeleton Assembly C				
			87-210-1002							Fuselage Skeleton Assembly D - J				
			87-210-1002-100							Fuselage Skeleton Assembly K - R				
			87-210-1002-200							Fuselage Skeleton Assembly S - up				
													01-C	126HB
													01-C	126HB
													01-C	126HB
													01-C	126HB
													01-C	126HB

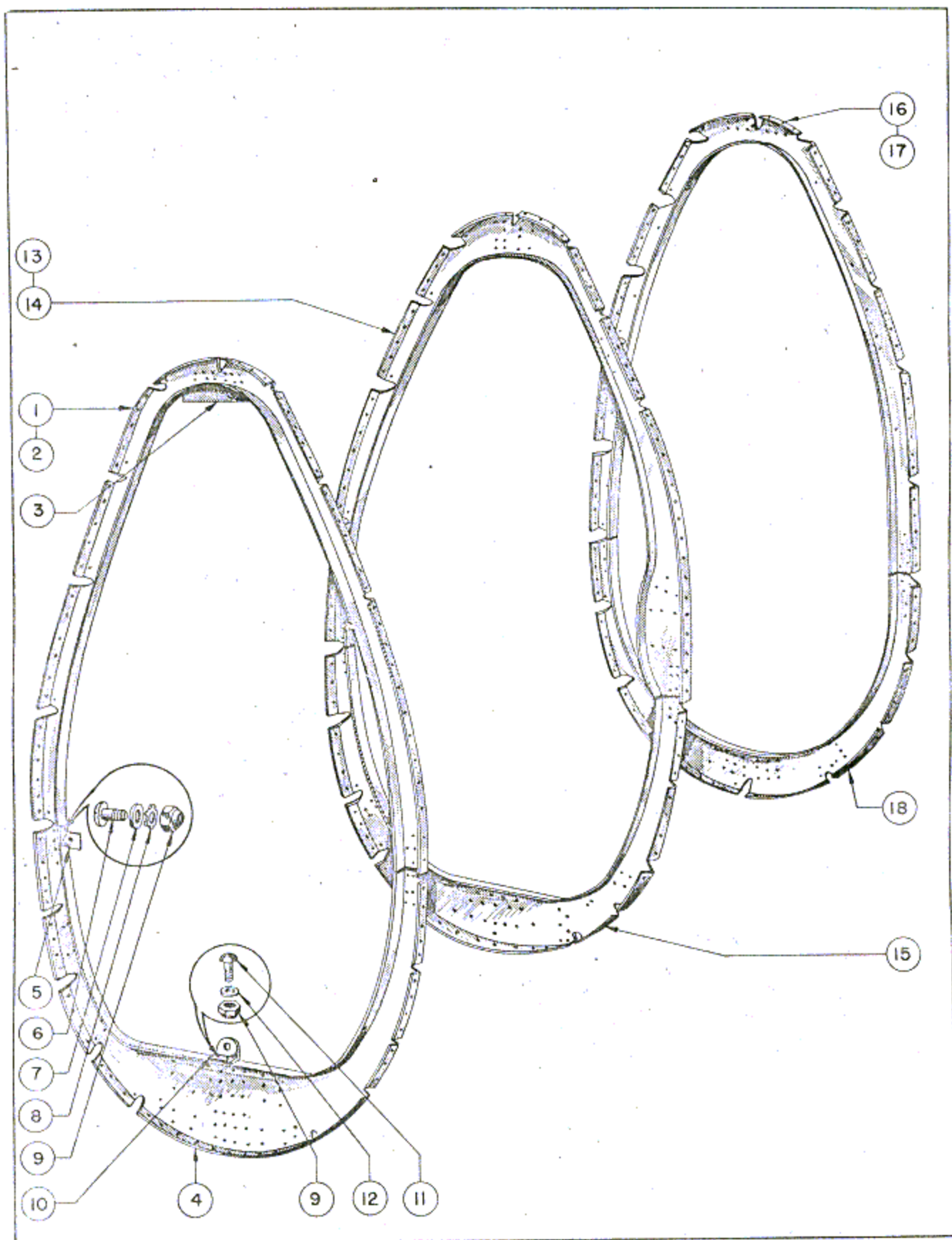


Figure 41—Fuselage Bulkheads 9, 10 and 11.

RESTRICTED

T. O. No. 01-25C-4

SECTION II—GROUP ASSEMBLY PARTS LISTS

FIG. NO.	INDEX NO.	SYMBOL	GROUP - FUSELAGE						UNITS PER ASSY	PROPERTY CLASSIFICATION			
			MAJOR ASSEMBLY - FUSELAGE BULKHEADS 12, 13, and 14 (Cont.)							U.S. NAVY	U.S. ARMY	BRITISH	
			PART NUMBER	1	2	3	4	5					6
42	1		87-21-612							1		01-C	126HB
	2		87-21-612-1							1		01-C	126HB
	3		87-21-612-2							1		01-C	126HB
	4		87-21-613							1		01-C	126HB
	5		87-21-613-1							1		01-C	126HB
	6		87-21-517L							1		01-C	126HB
	7		87-21-517R							1		01-C	126HB
	8		87-21-518L							1		01-C	126HB
	9		87-21-518R							1		01-C	126HB
	10		87-21-131L							3		01-C	126HB
	11		87-21-131R							3		01-C	126HB
	12		87-21-613-3							1		01-C	126HB
	13		87-21-594							1		01-C	126HB
	14		75-21-167							4		01-C	126HB
	15		AN24-12A							8		04-A	126
	16		AN960-516							8		04-A	126
	17		365-524							8		04-A	128
	18		87-21-131L							1		01-C	126HB
	19		87-21-131R							1		01-C	126HB
	20		AN23-15							4		04-A	128
	21		AN960-D10							4		04-A	128
	22		364-1032							4		04-A	128
	23		87-21-614							1		01-C	126HB
	24		87-21-614-1							1		01-C	126HB
	25		87-21-649							2		01-C	126HB
	26		AN515-8-14							2		29	128
	27		AN960-8							2		04-A	126
	28		365-832							2		04-A	126
29		87-21-614-3L							1		01-C	126HB	
30		87-21-614-3R							1		01-C	126HB	

FIG. NO.	INDEX NO.	SYMBOL	GROUP - FUSELAGE						UNITS PER ASSY	PROPERTY CLASSIFICATION			
			MAJOR ASSEMBLY - FUSELAGE BULKHEADS 15, 16, 17, and 18							U.S. NAVY	U.S. ARMY	BRITISH	
			PART NUMBER	1	2	3	4	5					6
43			87-21-405-75									01-C	126HB
			87-21-405-100									01-C	126HB
			87-210-1501									01-C	126HB
			87-210-1001									01-C	126HB
			87-210-1001-100									01-C	126HB
			87-210-1001-200									01-C	126HB
			87-21-406-50									01-C	126HB
			87-210-1502									01-C	126HB
			87-210-1002									01-C	126HB
			87-210-1002-100									01-C	126HB
			87-210-1002-200									01-C	126HB
	1		87-21-615								1	01-C	126HB
	2		87-21-615-1								1	01-C	126HB
	3		750-8								1	04-A	128
	4		AN515-D8-8								2	29	128
	5		365-D832								2	04-A	128
	6		87-21-360								1	01-C	126HB

RESTRICTED

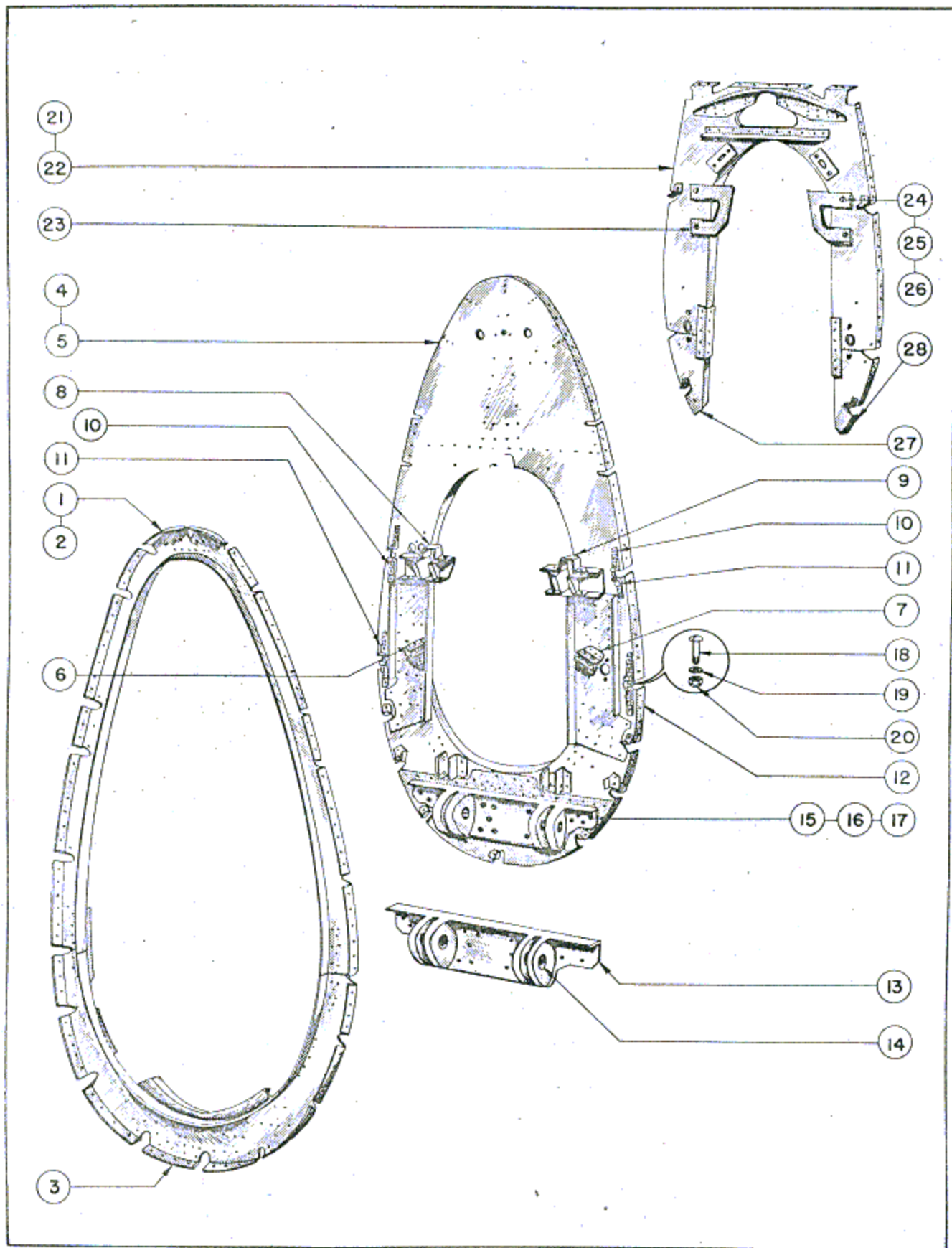


Figure 42—Fuselage Bulkheads 12, 13 and 14.

RESTRICTED

T. O. No. 01-25C-4

SECTION II—GROUP ASSEMBLY PARTS LISTS

FIG. NO.	INDEX NO.	GROUP-FUSELAGE						UNITS PER ASSY	PROPERTY CLASSIFICATION			
		MAJOR ASSEMBLY - FUSELAGE BULKHEADS 15,16,17,and 18 (Cont.)							U.S. NAVY	U.S. ARMY	BRITISH	
		PART NUMBER	1	2	3	4	5					6
43	7	87-64-061							1		01-C	126HB
	8	530-8-10							2		29	128
	9	1776-M-1							2		04-A	126HB
	10	87-21-615-4L							1		01-C	126HB
	11	87-21-615-4R							1		01-C	126HB
	12	87-21-616							1		01-C	126HB
	13	87-21-616-1							1		01-C	126HB
	14	87-21-616-3							1		01-C	126HB
	15	87-21-903										
	16	87-21-952								1	01-C	126HB
	17	87-21-952-1								1	01-C	126HB
	18	75-21-186								4	01-C	126HB
	19	87-21-952-7								1	01-C	126HB
	20	87-21-952-8								1	01-C	126HB
	21	87-21-952-9								1	01-C	126HB
	22	AN500-8-6								1	29	128
	23	365-832								1	04-A	128
	24	87-21-951								1	01-C	126HB
	25	87-21-951-1								1	01-C	126HB
	26	87-21-951-4								1	01-C	126HB
	27	87-21-951-6								1	01-C	126HB
	28	87-21-961								1	01-C	126HB
	29	87-21-961-1								1	01-C	126HB
	30	87-12-919-1								1	01-C	126HB
	31	87-12-919-2								1	01-C	126HB
	32	75-21-303								1	01-C	126HB
	33	626-D-1/4-2 7/8								2	01-C	126HB
	34	AN960-416								2	04-A	128
	35	AN310-4								2	04-A	128
	36	AN3-6A								10	04-A	128
	37	AN960-10								10	04-A	128
		364-1032								10	04-A	128

RESTRICTED

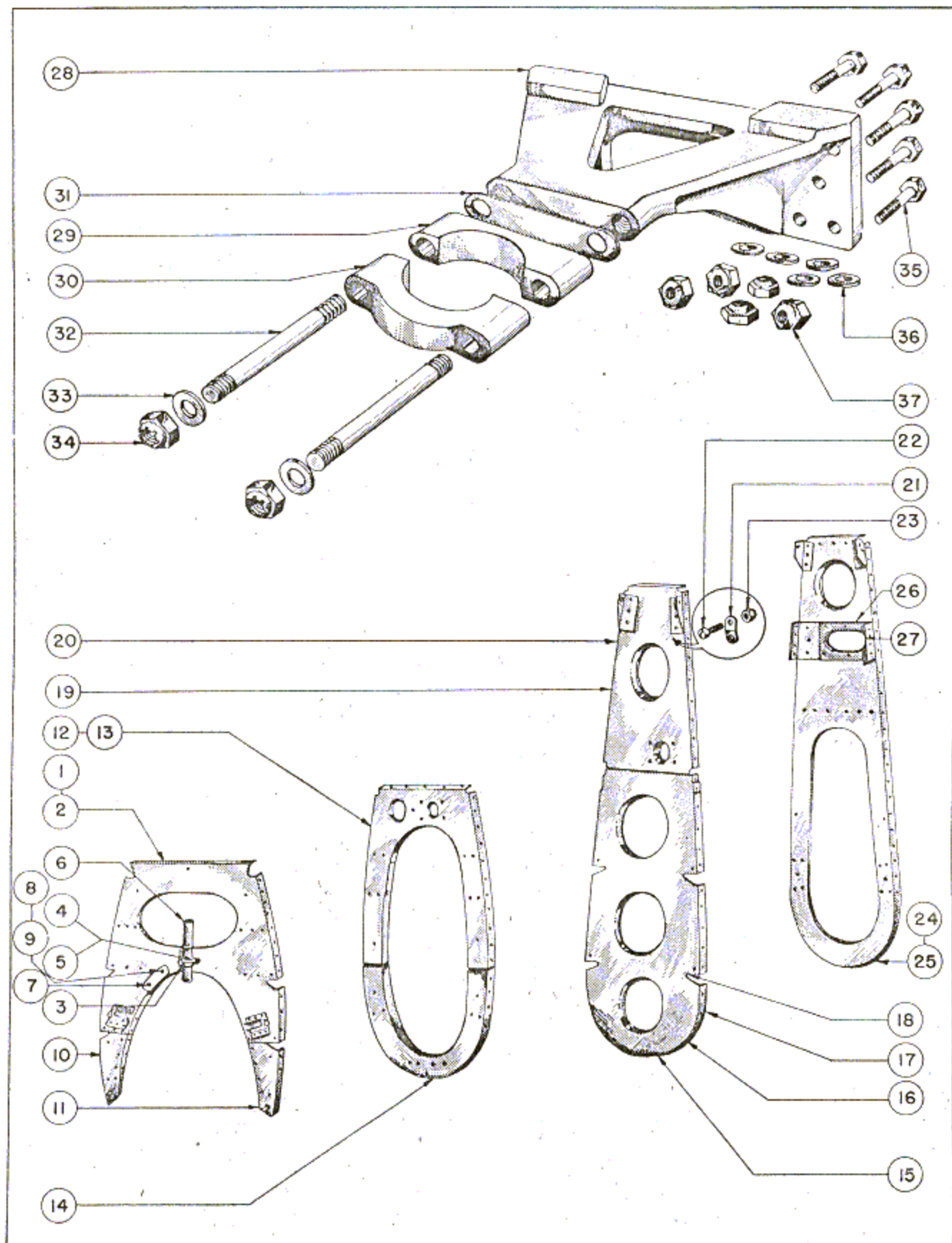


Figure 43—Fuselage Bulkheads 15, 16, 17 and 18.

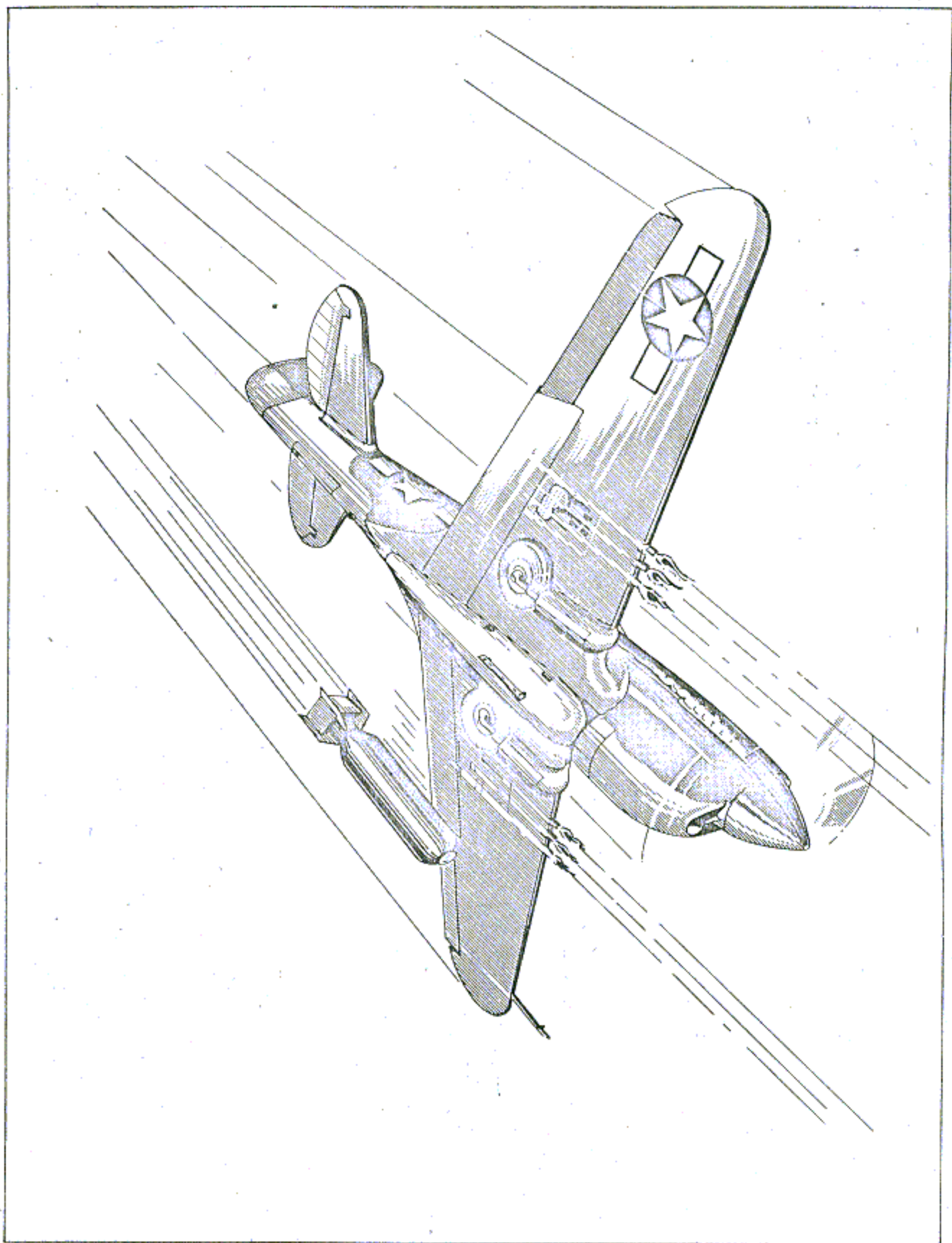


Figure 44--P-40 Airplane in Flight

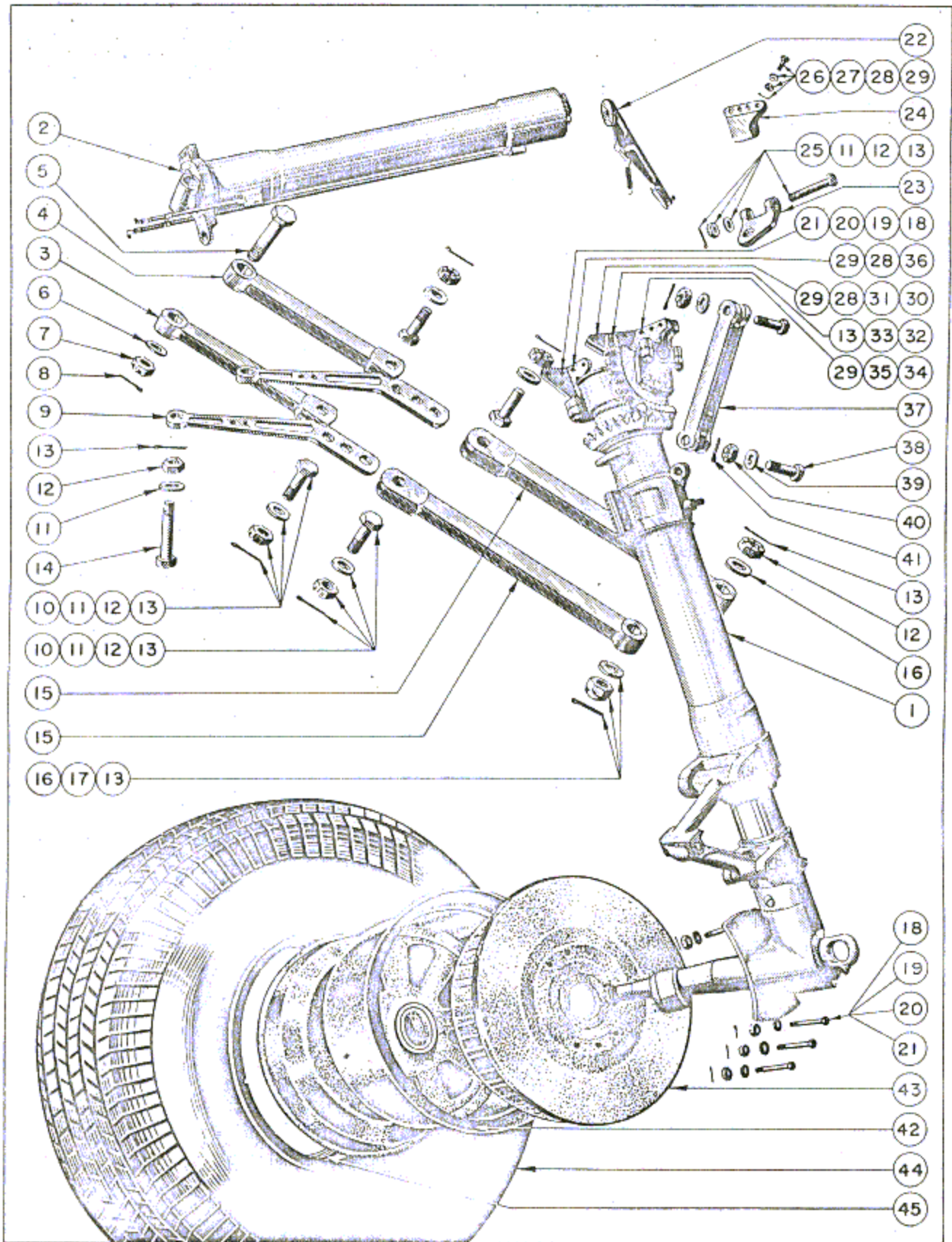


Figure 45—Landing Gear Installation

RESTRICTED
T. O. No. 01-25C-4

SECTION II—GROUP ASSEMBLY PARTS LISTS

FIG. NO.	INDEX NO.	GROUP - ALIGHTING GEAR						UNITS PER ASSY	PROPERTY CLASSIFICATION				
		MAJOR ASSEMBLY - LANDING GEAR INSTALLATION							U.S. NAVY	U.S. ARMY	BRITISH		
		PART NUMBER	1	2	3	4	5					6	NOMENCLATURE
45		87-31-901L							Landing Gear Install.	A - AF43-5562	1	01-C	126HB
		87-31-901R							Landing Gear Install.	A - AF43-5562	1	01-C	126HB
		87-31-901-10L							Landing Gear Install.	AF43-5563 - C	1	01-C	126HB
		87-31-901-10R							Landing Gear Install.	AF43-5563 - C	1	01-C	126HB
	1		87-31-910L						Oleo Strut - L.H.		1	01-C	126HB
	2		87-31-910R						Oleo Strut - R.H.		1	01-C	126HB
	3		87-31-505						Retracting Strut		1	01-C	126HB
	4		87-31-519-1						Upper Link		1	01-C	126HB
	5		87-31-519-2						Upper Link		1	01-C	126HB
	6		75-31-065						Bolt		1	01-C	126HB
	7		AN960-1216						Washer		1	04-A	128
	8		AN320-12						Nut		1	04-A	128
	9		AN380-C4-6						Cotter Pin		1	29	128
	10		87-31-521						Arm		2	01-C	126HB
	11		75-31-064						Bolt		4	01-C	126HB
	12		AN960-816						Washer		6	04-A	128
	13		AN320-8						Nut		4	04-A	128
	14		AN380-C3-4						Cotter Pin		6	29	128
	15		75-31-066						Bolt		1	01-C	126HB
	16		AN320-8						Nut		1	04-A	128
	17		AN380-C3-4						Cotter Pin		1	29	128
	18		87-31-524L						Lower Link		1	01-C	126HB
	19		87-31-524R						Lower Link		1	01-C	126HB
	20		75-31-063						Washer		2	01-C	126HB
	21		87-31-557						Nut		1	01-C	126HB
	22		AN320-8						Nut		1	04-A	128
	23		AN5-10						Bolt		10	04-A	128
	24		AN960-516						Washer		10	04-A	128
	25		AN310-5						Nut		10	04-A	128
	26		AN380-C2-2						Cotter Pin		10	29	128
	27		75-66-175						Bellcrank		1	01-C	126HB
	28		87-31-527						Block		1	01-C	126HB
	29		87-31-906-4L						Fitting - Hinge	L.H.	1	01-C	126HB
	30		87-31-906-4R						Fitting - Hinge	R.H.	1	01-C	126HB
	31		75-31-061						Bolt		1	01-C	126HB
	32		AN320-8						Nut		1	04-A	128
	33		AN380-C3-4						Cotter Pin		1	29	128
	34		AN6-13						Bolt		4	04-A	128
	35		AN960-516						Washer		4	04-A	128
	36		AN310-6						Nut		4	04-A	128
	37		AN380-C3-3						Cotter Pin		4	29	128
	38		AN6-11						Bolt		3	04-A	128
	39		AN960-616						Washer		3	04-A	128
	40		AN310-6						Nut		3	04-A	128
	41		AN380-C3-3						Cotter Pin		3	29	128
42		AN8-17						Bolt		1	04-A	128	
43		AN310-8						Nut		1	04-A	128	
44		AN380-C3-4						Cotter Pin		1	29	128	
45		AN7-13						Bolt		4	04-A	128	
46		AN310-7						Nut		4	04-A	128	
47		AN380-C3-3						Cotter Pin		4	29	128	
48		AN6-7						Bolt		3	04-A	128	
49		AN310-6						Nut		3	04-A	128	
50		AN380-C3-3						Cotter Pin		3	29	128	
51		87-31-522						Side Strut		1	01-C	126HB	
52		75-31-062						Bolt		2	01-C	126HB	
53		AN960-1016						Washer		2	04-A	128	
54		AN320-10						Nut		2	04-A	128	
55		AN380-C4-4						Cotter Pin		2	29	128	
56		87-31-901-3						30" Dia. Wheel	Type 2 - G.F.E.	1	03-B	127A	
57		H3-159						Hydraulic Brake	- L.H. - G.F.E.	1	03-B	127A	
58		H3-159						Hydraulic Brake	- R.H. - G.F.E.	1	03-B	127A	
59		Spec 26545						Casing - 8 Ply	30" Smooth Contour	1	04-B	127A	
60		Spec 26546						Tube - Puncture Proof	30" Type 2	1	04-B	127A	

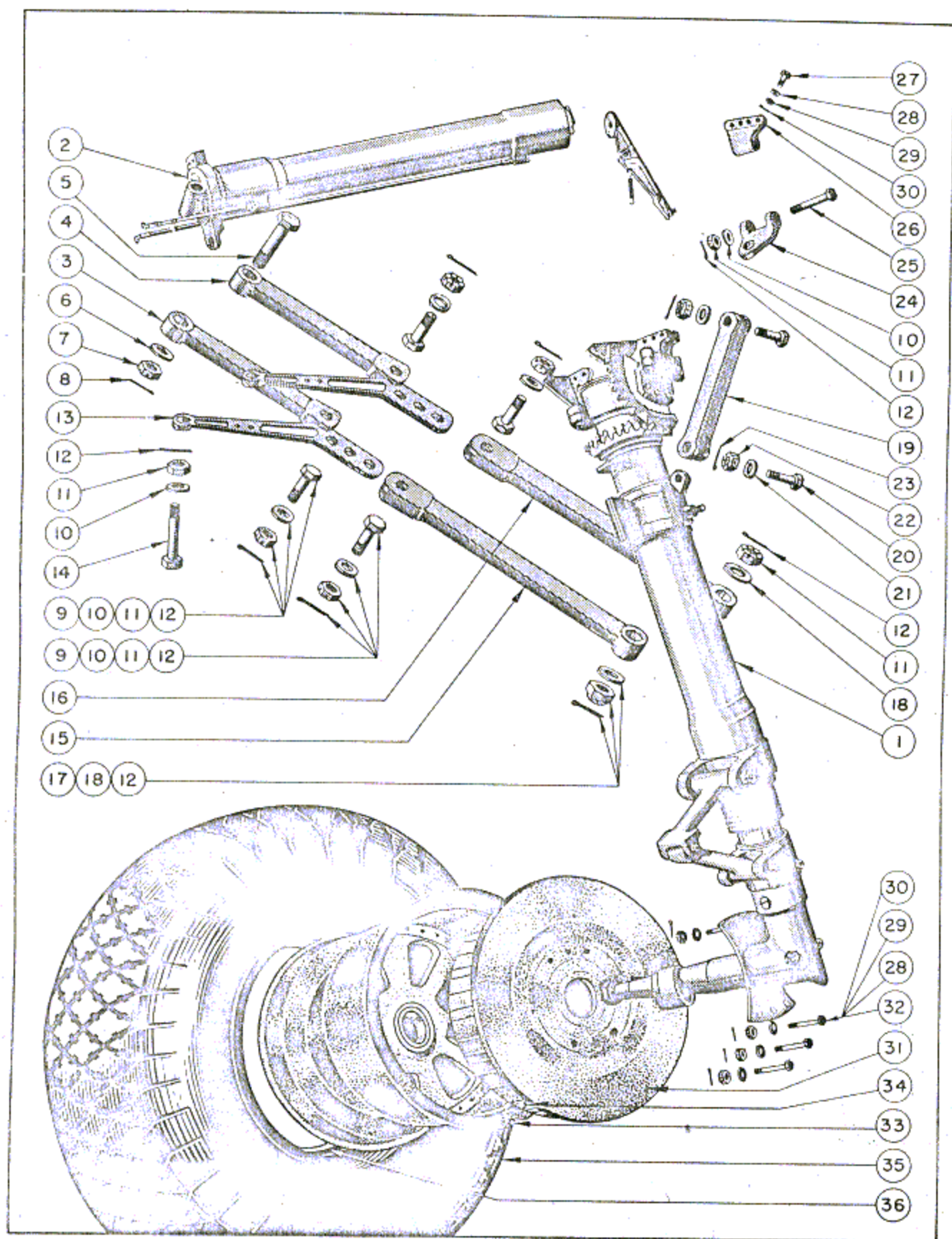


Figure 46—Landing Gear Installation

RESTRICTED
T. O. No. 01-25C-4

SECTION II—GROUP ASSEMBLY PARTS LISTS

FIG. NO.	INDEX NO.	SYMBOL	GROUP - ALIGHTING GEAR						UNITS PER ASSY	PROPERTY CLASSIFICATION			
			MAJOR ASSEMBLY - LANDING GEAR INSTALLATION							U.S. NAVY	U.S. ARMY	BRITISH	
			PART NUMBER	1	2	3	4	5					6
46	1		87-300-1000L							1		01-C	126HB
			87-300-1000R							1		01-C	126HB
		87-311-1000L								1		01-C	126HB
		2		87-311-1000R						1		01-C	126HB
		3		87-31-505						1		01-C	126HB
		4		87-31-519-1						1		01-C	126HB
		5		87-31-519-2						1		01-C	126HB
		6		75-31-065						1		01-C	126HB
		7		AN960-1216						1		04-A	128
		8		AN320-12						1		04-A	128
				AN380-C4-6						1		29	128
		9		75-31-064						4		01-C	126HB
		10		AN960-816						4		04-A	128
		11		AN320-8						4		04-A	128
		12		AN380-C3-4						4		29	128
		13		87-31-521						2		01-C	126HB
		14		75-31-066						1		01-C	126HB
		10		AN960-816						1		04-A	128
		11		AN320-8						1		04-A	128
		12		AN380-C3-4						1		29	128
		15		87-31-524L						1		01-C	126HB
		16		87-31-524R						1		01-C	126HB
		17		75-31-557						1		01-C	126HB
		18		75-31-063						1		01-C	126HB
		12		AN380-C3-4						1		29	128
		11		AN320-8						1		04-A	128
		18		75-31-063						1		01-C	126HB
		12		AN380-C3-4						1		29	128
		19		87-31-522						1		01-C	126HB
		20		75-31-062						2		01-C	126HB
		21		AN960-1016						2		04-A	128
		22		AN320-10						2		04-A	128
		23		AN380-C4-4						2		29	128
		24		87-31-527						1		01-C	126HB
		25		75-31-061						1		01-C	126HB
		10		AN960-816						1		04-A	128
	11		AN320-8						1		04-A	128	
	12		AN380-C3-4						1		29	128	
	26		87-31-906-4L						1		01-C	126HB	
			87-31-906-4R						1		01-C	126HB	
	27		AN6-13						4		04-A	128	
	28		AN960-616						4		04-A	128	
	29		AN310-6						4		04-A	128	
	30		AN380-C3-3						4		29	128	
	31		87-310-1018						1		01-C	126HB	
	32		AN6-11						6		04-A	128	
	28		AN960-616						6		04-A	128	
	29		AN310-6						6		04-A	128	
	30		AN380-C3-3						6		29	128	
	33		23-297						1		03-B	127A	
	34		H2-288L						1		03-B	127A	
			H2-288R						1		03-B	127A	
	35		Spec 26545						1		04-B	127A	
	36		Spec 26546						1		04-B	127A	

RESTRICTED

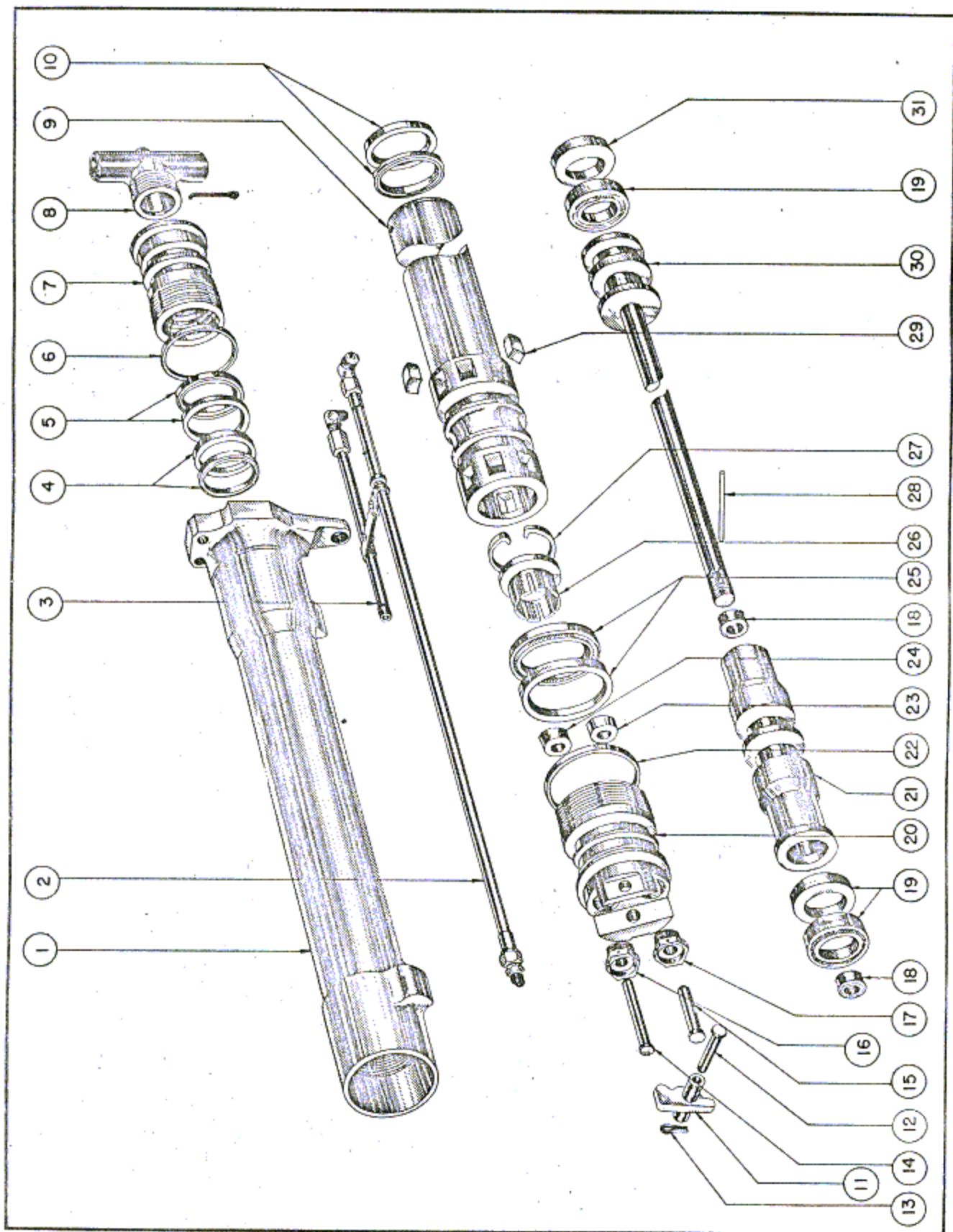


Figure 47—Landing Gear Retracting Strut

RESTRICTED

T. O. No. 01-25C-4

SECTION II—GROUP ASSEMBLY PARTS LISTS

FIG. NO.	INDEX NO.	STOCKED	GROUP - ALIGHTING GEAR						UNITS PER ASSY	PROPERTY CLASSIFICATION							
			MAJOR ASSEMBLY - LANDING GEAR RETRACTING STRUT							U.S. NAVY	U.S. ARMY	BRITISH					
			PART NUMBER	1	2	3	4	5					6	NOMENCLATURE			
47			87-31-901L										Landing Gear Installation A - AF43-5562			01-C	126HB
			87-31-901R										Landing Gear Installation A - AF43-5562			01-C	126HB
			87-31-901-10L										Landing Gear Installation AF43-5563 - C			01-C	126HB
			87-31-901-10R										Landing Gear Installation AF43-5563 - C			01-C	126HB
			87-300-1000L										Landing Gear Installation	D - up		01-C	126HB
			87-300-1000R										Landing Gear Installation	D - up		01-C	126HB
			87-31-505										Retracting Strut Assembly			01-C	126HB
		1		87-33-510								1	Cylinder			01-C	126HB
		2		75-33-038-5								1	Line Assembly - Hydraulic			01-C	126HB
		3		75-33-038-4								1	Line Assembly - Extension			01-C	126HB
		4		87-31-026								2	Cup Inner			01-C	126HB
		5		75-33-036								2	Cup Outer			01-C	126HB
		6		75-33-030-2								2	Shim			01-C	126HB
		7		87-31-028								1	Bearing			01-C	126HB
		8		87-33-515								1	End			01-C	126HB
		9		87-31-027								1	Piston			01-C	126HB
		10		75-33-035								2	Cup - Piston			01-C	126HB
		11		75-33-029								1	Rocker			01-C	126HB
		12		AN394-61								1	Pin - Rocker Attaching			04-A	128
		13		AN380-C2-2								1	Cotter Pin - Rocker Attaching			29	128
		14		75-33-026-1								1	Pin			01-C	126HB
		15		75-33-026-2								1	Pin			01-C	126HB
		16		75-33-025-1								1	Nut			01-C	126HB
		17		75-33-025-2								1	Nut			01-C	126HB
		18		75-33-034								2	Cup Pawl			01-C	126HB
		19		75-33-033								3	Cup			01-C	126HB
		20		75-33-023								1	Cap			01-C	126HB
		21		75-33-021								1	Pawl			01-C	126HB
		22		75-33-030-1								2	Shim			01-C	126HB
		23		75-33-031-1								1	Cup Nut			01-C	126HB
		24		75-33-031-2								1	Cup Nut			01-C	126HB
	25		75-33-032								2	Cup Cap			01-C	126HB	
	26		75-33-463								1	Spring			01-C	126HB	
	27		75-33-462								1	Ring Retaining			01-C	126HB	
	28		87-31-025								1	Pin			01-C	126HB	
	29		75-33-027								12	Lock			01-C	126HB	
	30		87-31-034								1	Shaft			01-C	126HB	
	31		87-33-099								1	Cup			01-C	126HB	

FIG. NO.	INDEX NO.	STOCKED	GROUP - ALIGHTING GEAR						UNITS PER ASSY	PROPERTY CLASSIFICATION							
			MAJOR ASSEMBLY - LANDING GEAR OLEO STRUT - UPPER							U.S. NAVY	U.S. ARMY	BRITISH					
			PART NUMBER	1	2	3	4	5					6	NOMENCLATURE			
48			87-31-901L										Landing Gear Installation A - AF43-5562			01-C	126HP
			87-31-901R										Landing Gear Installation A - AF43-5562			01-C	126HB
			87-31-901-10L										Landing Gear Installation AF43-5563 - C			01-C	126HB
			87-31-901-10R										Landing Gear Installation AF43-5563 - C			01-C	126HB
			87-300-1000L										Landing Gear Installation	D - up		01-C	126HB
			87-300-1000R										Landing Gear Installation	D - up		01-C	126HB
			87-31-910L									1	Oleo Strut Assembly L.H.	A - C		01-C	126HB

RESTRICTED

103

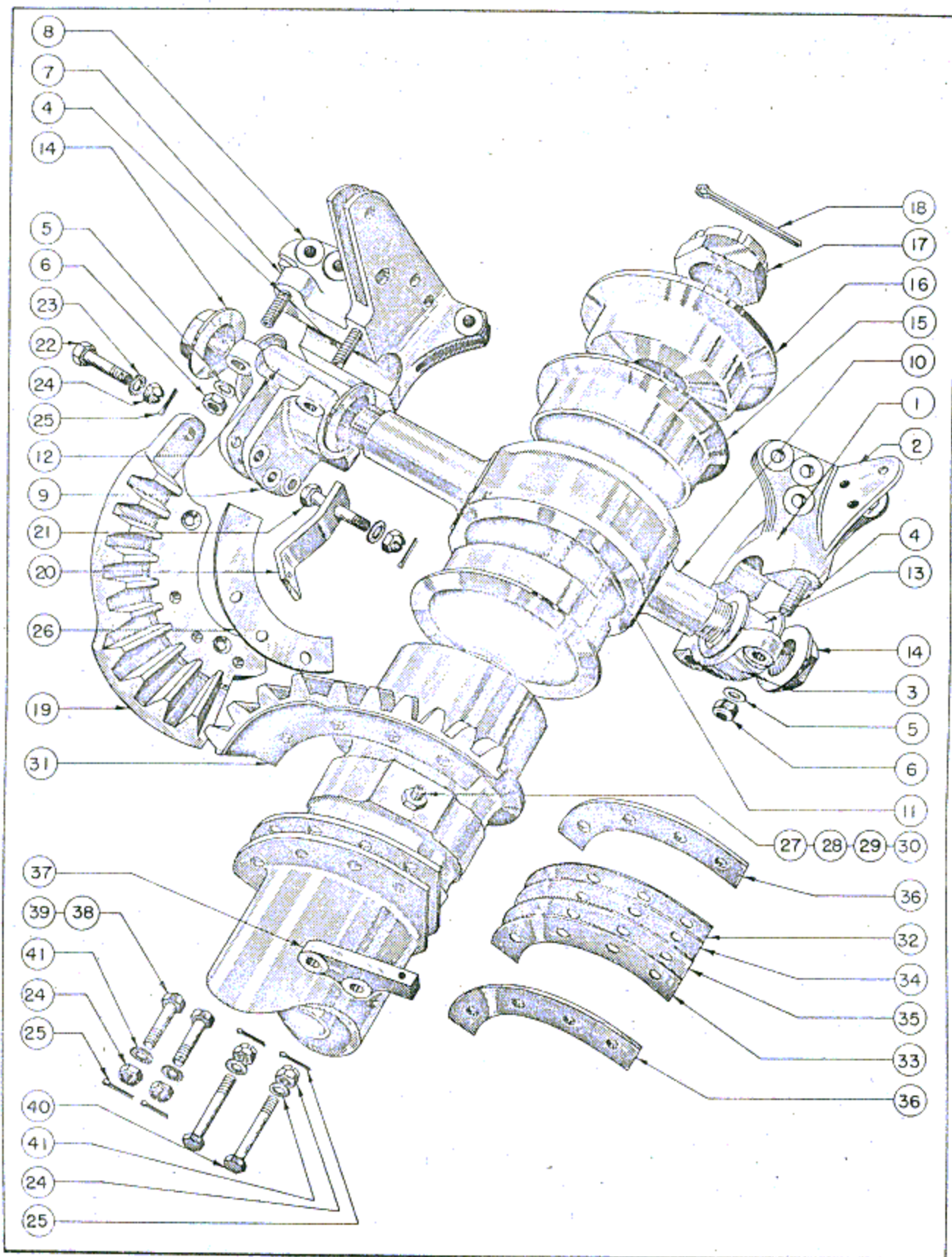


Figure 48—Landing Gear Oleo Strut—Upper

RESTRICTED
T. O. No. 01-25C-4
SECTION II—GROUP ASSEMBLY PARTS LISTS

FIG. NO.	INDEX NO.	STOCK #	GROUP - ALIGHTING GEAR						UNITS PER ASSY	PROPERTY CLASSIFICATION				
			MAJOR ASSEMBLY - OLEO STRUT - UPPER (Cont.)							U.S. NAVY	U.S. ARMY	BRITISH		
			PART NUMBER	1	2	3	4	5					6	NOMENCLATURE
48	1		87-31-910R								1	01-C	126HB	
			87-311-1000L									1	01-C	126HB
			87-311-1000R									1	01-C	126HB
			87-31-906-5L									1	01-C	126HB
			87-31-906-5R									1	01-C	126HB
			87-31-517L									1	01-C	126HB
			87-31-517R									1	01-C	126HB
			87-31-546									1	01-C	126HB
			87-31-558									2	01-C	126HB
			AN960-816									2	04-A	128
			365-820									2	04-A	128
			87-31-906-6L									1	01-C	126HB
			87-31-906-6R									1	01-C	126HB
			87-31-918L									1	01-C	126HB
			87-31-559R									1	01-C	126HB
			87-31-559									1	01-C	126HB
			87-31-558									4	01-C	126HB
			AN960-816									4	04-A	128
			365-820									4	04-A	128
			87-31-041L									1	01-C	126HB
			87-31-041R									1	01-C	126HB
			75-31-027L									1	01-C	126HB
			75-31-027R									1	01-C	126HB
			75-31-040									1	01-C	126HB
			75-31-041									1	01-C	126HB
	75-31-043									2	01-C	126HB		
	75-31-042									2	01-C	126HB		
	87-31-547									1	01-C	126HB		
	AN310-16									1	04-A	128		
	AN380-C4-6									1	29	128		
	87-31-936L									1	01-C	126HB		
	87-31-936R									1	01-C	126HB		
	87-34-038L									1	01-C	126HB		
	87-34-038R									1	01-C	126HB		
	AN6-15									1	04-A	128		
	AN6-14									2	04-A	128		
	AN960-616									3	04-A	128		
	AN310-6									3	04-A	128		
	AN380-C3-3									3	29	128		
	75-31-072									1	01-C	126HB		
	AN813-1									1	04-A	128		
	2525									1	04-A	128		
	AN812-1									1	04-A	128		
	AN809-1									1	04-A	128		
	AN901-5C									1	29	128		
	87-31-935L									1	01-C	126HB		
	87-31-935R									1	01-C	126HB		
	87-31-051									1	01-C	126HB		
	87-31-052									1	01-C	126HB		
	75-31-073									1	01-C	126HB		
	75-31-076									1	01-C	126HB		
	87-31-574L									2	01-C	126HB		
	87-31-574R									2	01-C	126HB		
	87-34-530									1	01-C	126HB		
	AN6-20									2	04-A	128		
	AN6-25									2	04-A	128		
	AN6-26									2	04-A	128		
	AN960-D616									4	04-A	128		
	AN310-6									4	04-A	128		
	AN380-C3-3									4	29	128		

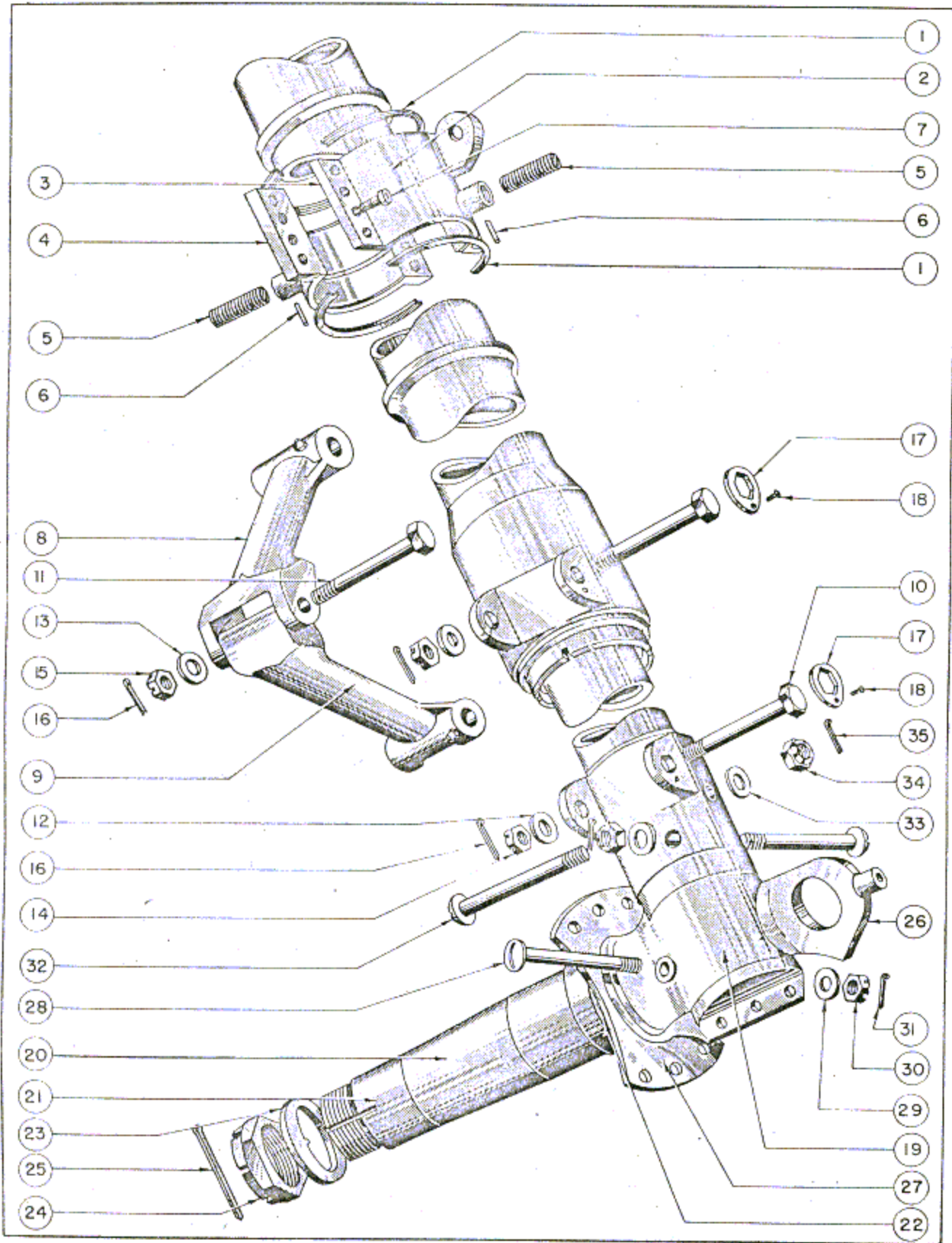


Figure 49—Landing Gear Oleo Strut—Lower

RESTRICTED

T. O. No. 01-25C-4

SECTION II—GROUP ASSEMBLY PARTS LISTS

FIG. NO.	INDEX NO.	STOCK NO.	GROUP - ALIGHTING GEAR						UNITS PER ASSY	PROPERTY CLASSIFICATION		
			MAJOR ASSEMBLY - LANDING GEAR OLEO STRUT - LOWER							U.S. NAVY	U.S. ARMY	BRITISH
			PART NUMBER	1	2	3	4	5				
49			87-31-901L	Landing Gear Installation - L.H.								
				A - AF43-5562							01-C	126HB
			87-31-901R	Landing Gear Installation - R.H.								
				A ± AF43-5562							01-C	126HB
			87-31-901-10L	Landing Gear Installation - L.H.								
				AF43-5563 - C							01-C	126HB
			87-31-901-10R	Landing Gear Installation - R.H.								
				AF43-5563 - C							01-C	126HB
			87-31-910L	Oleo Strut Assembly - L.H.							01-C	126HB
			87-31-910R	Oleo Strut Assembly - R.H.							01-C	126HB
	1		87-31-551	Bearing					2		01-C	126HB
	2		87-31-525L	Trunnion Assembly - L.H.					1		01-C	126HB
			87-31-525R	Trunnion Assembly - R.H.					1		01-C	126HB
	3		87-31-525-1L	Trunnion					1		01-C	126HB
			87-31-525-1R	Trunnion					1		01-C	126HB
	4		87-31-525-2L	Trunnion					1		01-C	126HB
			87-31-525-2R	Trunnion					1		01-C	126HB
	5		75-31-032	Stud					2		01-C	126HB
	6		1060-D-1-15	Pin					2		01-C	126HB
	7		87-31-550	Bolt					8		01-C	126HB
	8		87-31-923	Link					1		01-C	126HB
	9		87-31-924	Link					1		01-C	126HB
	10		87-31-937	Bolt					2		01-C	126HB
	11		87-31-939	Bolt					1		01-C	126HB
	12		AN960-1016	Washer					2		04-A	128
	13		AN960-916	Washer					1		04-A	128
	14		AN320-10	Nut					2		04-A	128
	15		AN320-9	Nut					1		04-A	128
	16		AN380-C4-4	Cotter Pin					3		29	128
	17		87-31-561	Washer					2		01-C	126HB
	18		AN501A-10-4	Screw					2		29	128
	19		87-31-520L	Fitting Assembly - L.H.					1		01-C	126HB
			87-31-520R	Fitting Assembly - R.H.					1		01-C	126HB
	20		87-31-528	Axle Assembly					1		01-C	126HB
	21		87-31-528-1	Axle					1		01-C	126HB
	22		34A15-3	Collar					1		03-G	126HB
	23		32A509-2	Washer					1		03-G	126HB
	24		32A510-2	Nut					1		03-G	126HB
	25		AN380-C5-10	Cotter Pin					1		29	128
	26		87-31-507L	Towing Ring					1		01-C	126HB
			87-31-507R	Towing Ring					1		01-C	126HB
	27		87-31-537	Fitting					1		01-C	126HB
	28		AN26-54	Bolt					1		04-A	128
	29		AN960-616	Washer					1		04-A	128
	30		AN320-6	Nut					1		04-A	128
	31		AN380-C3-3	Cotter Pin					1		29	128
	32		AN28-54	Bolt					2		04-A	128
	33		AN960-816	Washer					2		04-A	128
	34		AN320-8	Nut					2		04-A	128
	35		AN380-C3-4	Cotter Pin					2		29	128

RESTRICTED

107

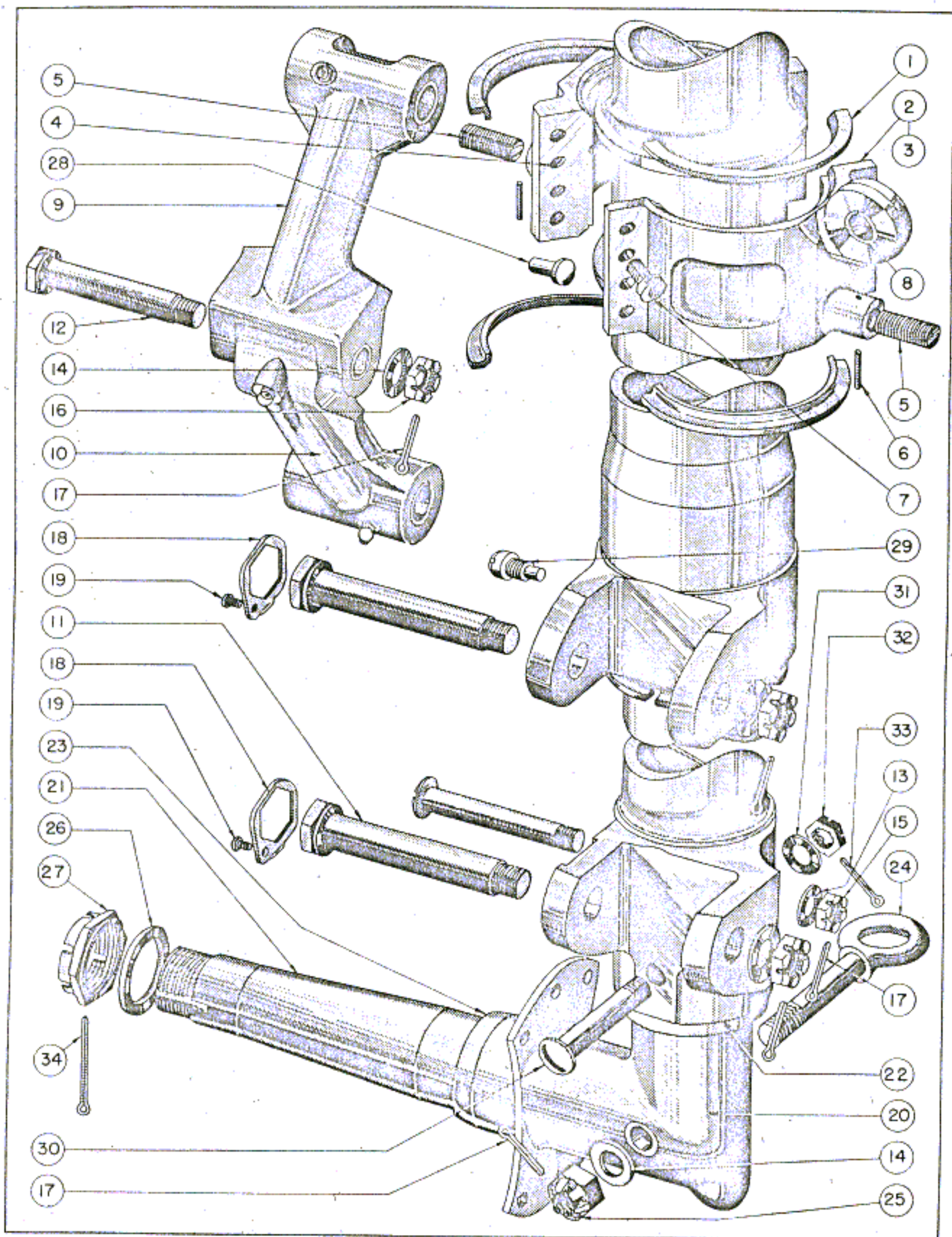


Figure 50—Landing Gear Oleo Strut—Lower

RESTRICTED
T.O. No. 01-25C-4

SECTION II—GROUP ASSEMBLY PARTS LISTS

FIG. NO.	INDEX NO.	STOCK KEY	GROUP - ALIGHTING GEAR						UNITS PER ASSY	PROPERTY CLASSIFICATION							
			MAJOR ASSEMBLY - OLEO STRUT - LOWER							U.S. NAVY	U.S. ARMY	BRITISH					
			PART NUMBER	1	2	3	4	5					6	NOMENCLATURE			
50			87-300-1000L										Landing Gear Installation L.H. D - up			01-C	126HB
			87-300-1000R										Landing Gear Installation R.H. D - up			01-C	126HB
			87-311-1000L										Oleo Strut Assembly L.H.	1		01-C	126HB
			87-311-1000R										Oleo Strut Assembly R.H.	1		01-C	126HB
		1		87-31-551									Bearing	2		01-C	126HB
		2		87-31-525L									Trunnion Assembly L.H.	1		01-C	126HB
				87-31-525R									Trunnion Assembly R.H.	1		01-C	126HB
		3		87-31-525-1L									Trunnion L.H.	1		01-C	126HB
				87-31-525-1R									Trunnion R.H.	1		01-C	126HB
		4		87-31-525-2L									Trunnion L.H.	1		01-C	126HB
				87-31-525-2R									Trunnion R.H.	1		01-C	126HB
		5		75-31-032									Stud	2		01-C	126HB
		6		1060-D-1-15									Pin	2		01-C	126HB
		7		87-31-550									Bolt	8		01-C	126HB
		8		1004-D-10-.622									Bushing	1		01-C	126HB
		9		87-31-923									Link	1		01-C	126HB
		10		87-31-924									Link	1		01-C	126HB
		11		87-31-937									Bolt	2		01-C	126HB
		12		87-31-939									Bolt	1		01-C	126HB
		13		AN960-1016									Washer	2		04-A	128
		14		AN960-916									Washer	1		04-A	128
		15		AN320-10									Nut	2		04-A	128
		16		AN320-9									Nut	1		04-A	128
		17		AN380-C4-4									Cotter Pin	3		29	128
		18		87-31-561									Washer	2		01-C	126HB
		19		AN501-A-10-4									Screw	2		29	128
		20		87-310-1023L									Fitting Assembly L.H.	1		01-C	126HB
				87-310-1023R									Fitting Assembly R.H.	1		01-C	126HB
		21		87-310-1022									Axle	1		01-C	126HB
		22		87-310-1021									Axle Fitting	1		01-C	126HB
		23		87-310-1016									Spacer	1		01-C	126HB
		24		87-310-1019									Towing Bolt	1		01-C	126HB
		14		AN960-916									Washer	1		04-A	128
		25		AN310-9									Nut	1		04-A	128
	17		AN380-C4-4									Cotter Pin	1		29	128	
	26		32A509-1									Washer	1		03-G	126HB	
	27		32A510-1									Nut	1		03-G	126HB	
	28		87-311-1000-2									Anchor Pin	1		01-C	126HB	
	29		95593-1									Screw	1		01-C	126HB	
	30		AN28-54									Bolt	2		04-A	128	
	31		AN960-816									Washer	2		04-A	128	
	32		AN320-8									Nut	2		04-A	128	
	33		AN380-C3-4									Cotter Pin	2		29	128	
	34		AN380-C4-8									Cotter Pin	1		29	128	

FIG. NO.	INDEX NO.	STOCK KEY	GROUP - ALIGHTING GEAR						UNITS PER ASSY	PROPERTY CLASSIFICATION							
			MAJOR ASSEMBLY - LANDING GEAR OLEO STRUT - CYLINDER ASSEMBLY							U.S. NAVY	U.S. ARMY	BRITISH					
			PART NUMBER	1	2	3	4	5					6	NOMENCLATURE			
51			87-31-910L										Oleo Strut - Landing Gear Assm. L.H. A - C			01-C	126HB
			87-31-910R										Oleo Strut Landing Gear Assm. L.H. A - C			01-C	126HB
			87-311-1000L										Oleo Strut Landing Gear Assm. L.H. D - up			01-C	126HB

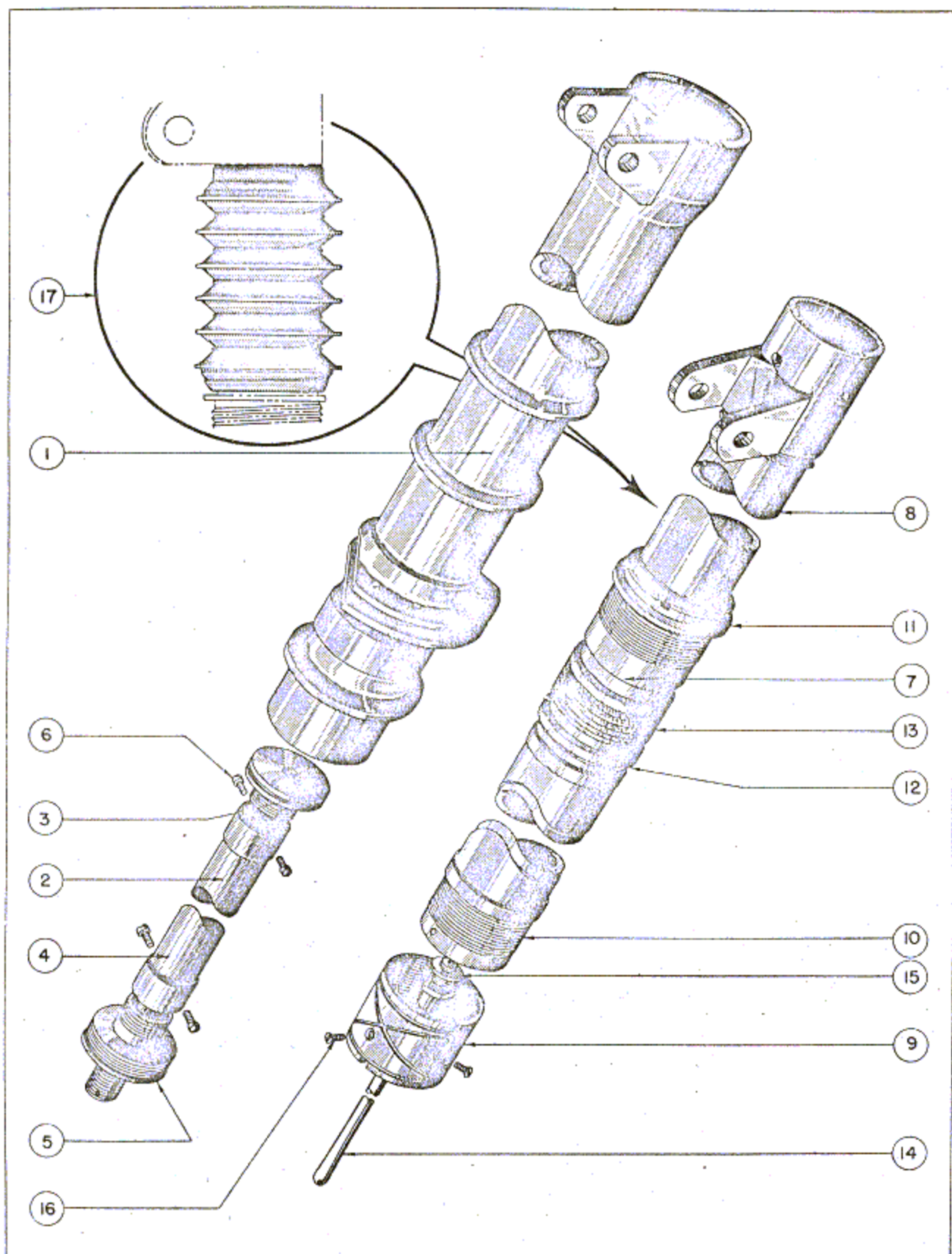


Figure 51—Landing Gear Oleo Strut Cylinder Assembly

RESTRICTED
T.O. No. 01-25C-4
SECTION H—GROUP ASSEMBLY PARTS LISTS

FIG. NO.	INDEX NO.	STOCK #	GROUP - ALIGHTING GEAR						UNITS PER ASSY	PROPERTY CLASSIFICATION													
			MAJOR ASSEMBLY - LANDING GEAR OLEO STRUT - CYLINDER ASSEMBLY (Cont.)							U.S. NAVY	U.S. ARMY	BRITISH											
			PART NUMBER	1	2	3	4	5					6	NOMENCLATURE									
51			87-311-1000R																Oleo Strut Landing Gear Assem. R.H. D - up			01-C	126HB
	1		87-31-921L																Cylinder Assembly - L.H.	1		01-C	126HB
			87-31-921R																Cylinder Assembly - R.H.	1		01-C	126HB
	2		87-31-512																Plunger	1		01-C	126HB
	3		87-31-515																End - Lower	1		01-C	126HB
	4		87-31-532																Tube	1		01-C	126HB
	5		87-31-014																End - Upper	1		01-C	126HB
	6		AN502-10-16																Screw	4		04-A	128
	7		87-31-913L																Piston Assembly - L.H.	1		01-C	126HB
			87-31-913R																Piston Assembly - R.H.	1		01-C	126HB
			87-31-913-1L																Piston Assembly - L.H.	1		01-C	126HB
			87-31-913-1R																Piston Assembly - R.H.	1		01-C	126HB
	8		87-31-912L																Piston	1		01-C	126HB
			87-31-912R																Piston	1		01-C	126HB
			87-31-912-1L																Piston	1		01-C	126HB
			87-31-912-1R																Piston	1		01-C	126HB
	9		75-31-044																Bearing	1		01-C	126HB
10		75-31-045																Sleeve	1		01-C	126HB	
11		75-31-046-1																Cylinder Bearing	1		01-C	126HB	
12		75-31-048																Ring	1		01-C	126HB	
13		75-31-049																Packing	1		01-C	126HB	
14		75-31-050																Metering Pin	1		01-C	126HB	
15		1075-DE-.064-.515 -1.000																Washer	1		01-C	126HB	
16		AN510-B10-3																Screw	3		29	128	
17		87-311-1012-1																Dust Boot	1		01-C	126HB	

FIG. NO.	INDEX NO.	STOCK #	GROUP - ALIGHTING GEAR						UNITS PER ASSY	PROPERTY CLASSIFICATION															
			MAJOR ASSEMBLY - LANDING GEAR VISUAL POSITION INDICATOR							U.S. NAVY	U.S. ARMY	BRITISH													
			PART NUMBER	1	2	3	4	5					6	NOMENCLATURE											
52			87-31-901-10L																Landing Gear Installation						
																				AF43-5563 - C			01-C	126HB	
			87-31-901-10R																	Landing Gear Installation					
																				AF43-5563 - C			01-C	126HB	
			87-300-1000L																	Landing Gear Installation			01-C	126HB	
			87-300-1000R																	Landing Gear Installation			01-C	126HB	
	1		87-31-941																	Indicator Installation	2		01-C	126HB	
	2		87-31-942																	Tube Assembly	1		01-C	126HB	
	3		87-31-946																	Link Assembly	1		01-C	126HB	
	4		87-31-946-1																	Clevis	1		01-C	126HB	
	5		87-31-946-2																	Terminal	1		01-C	126HB	
	6		AN315-3R																	Nut	2		04-A	128	
	7		AN393-9																	Pin	1		04-A	128	
	8		AN393-23																	Pin	1		04-A	128	
	9		AN960-10																	Washer	2		04-A	128	
	10		AN380-2-2																	Cotter Pin	2		29	128	
	11		AN42-4																	Bolt	1		04-A	128	
9		AN960-10																	Washer	1		04-A	128		
12		AN310-3																	Nut	1		04-A	128		
10		AN380-2-2																	Cotter Pin	2		29	128		

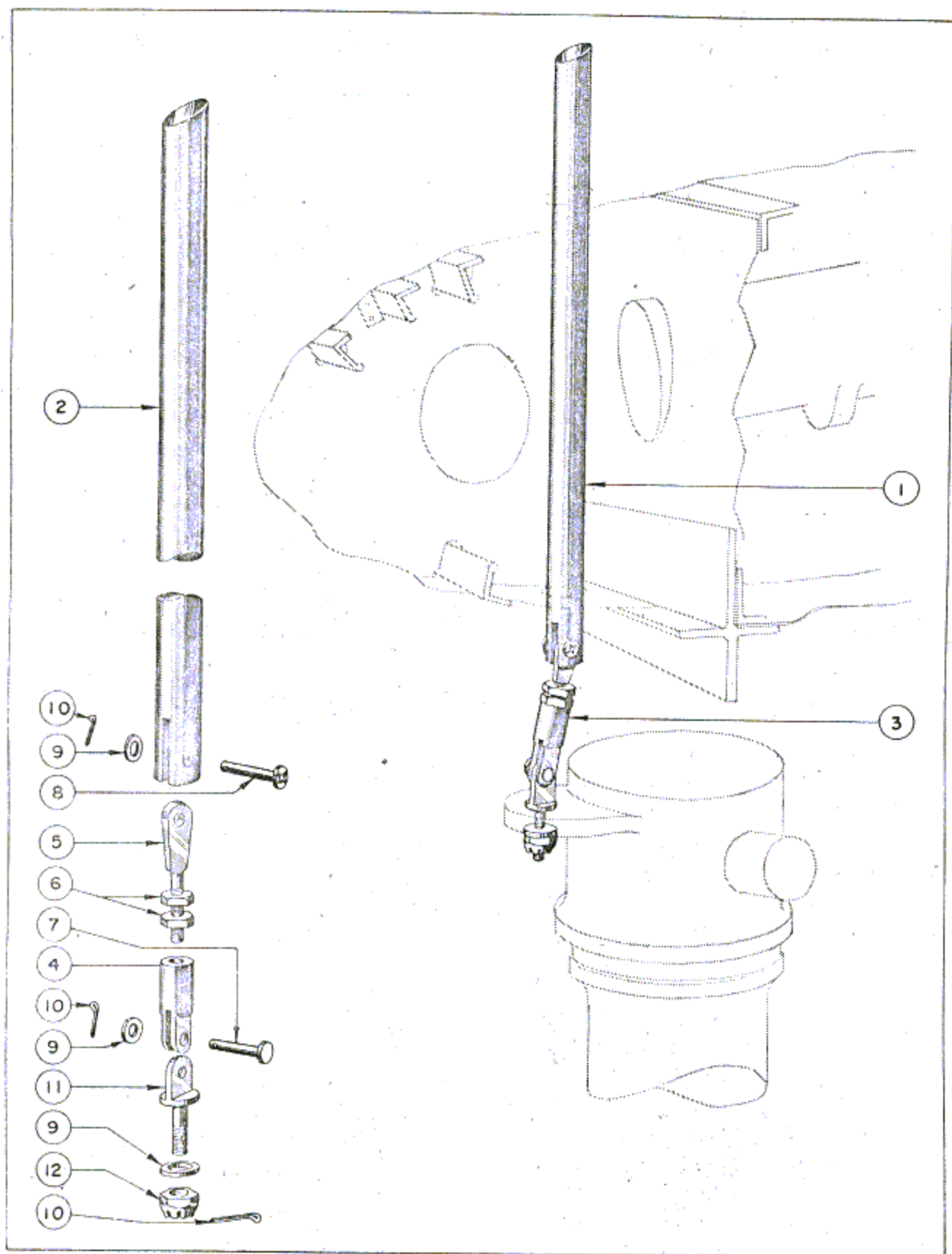


Figure 52—Landing Gear Position Indicator

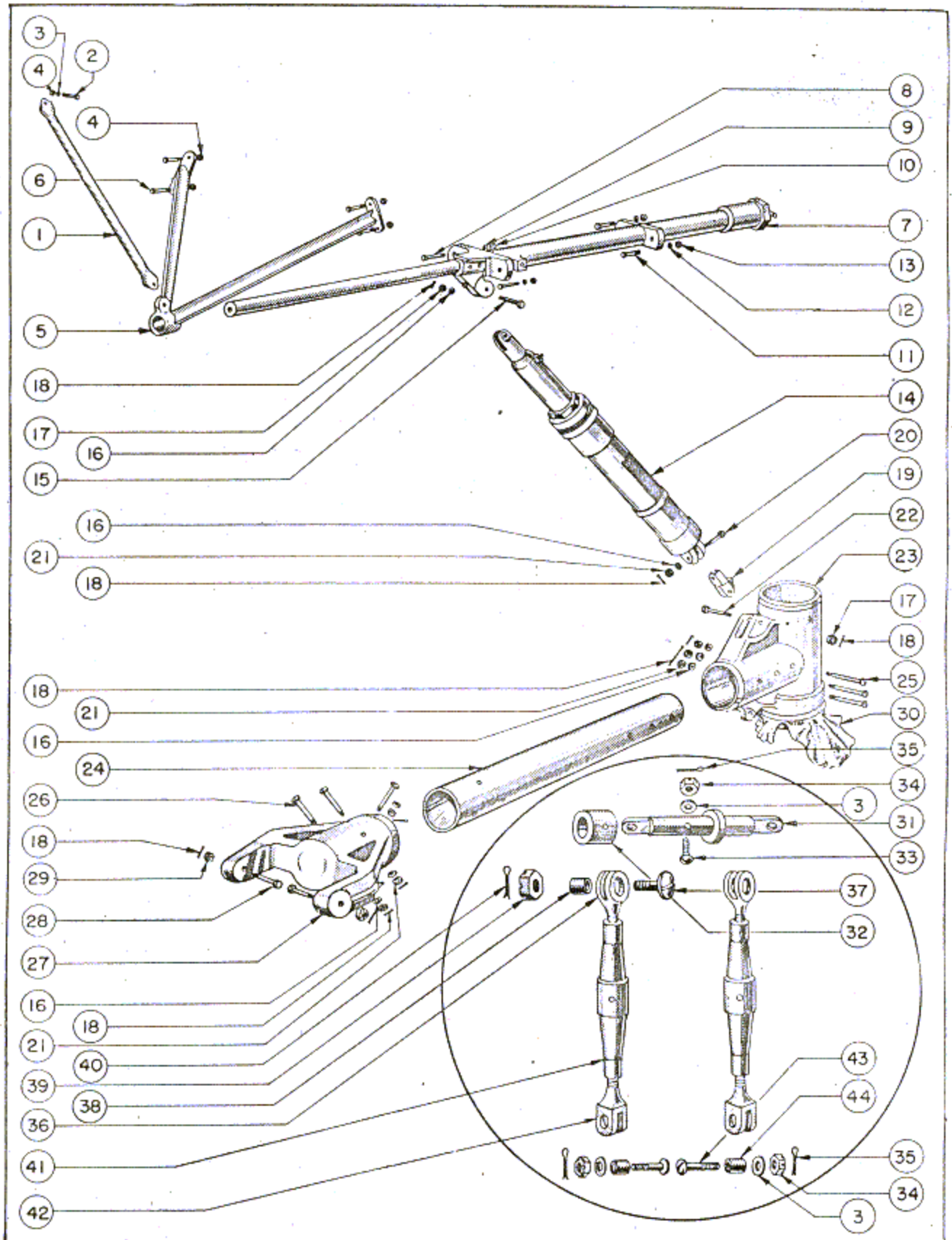


Figure 53—Tail Wheel Installation

RESTRICTED
T. O. No. 01-25C-4
SECTION II—GROUP ASSEMBLY PARTS LISTS

FIG. NO.	INDEX NO.	STOCK #	GROUP - ALIGHTING GEAR						UNITS PER ASSY	PROPERTY CLASSIFICATION														
			MAJOR ASSEMBLY - TAIL WHEEL INSTALLATION							U.S. NAVY	U.S. ARMY	BRITISH												
			PART NUMBER	1	2	3	4	5					6	NOMENCLATURE										
53			87-37-901															Tail Wheel Installation	A	1				
			87-37-901-200															Tail Wheel Installation	B - up	1			01-C	126HB
	1		93375-14-13/16															Tube		1			01-C	126HB
		2		AN3-5A														Bolt		2			04-A	128
		3		AN960-10														Washer		2			04-A	128
		4		365-1032														Nut		2			04-A	128
		5		87-37-521														Bearing Assembly		1			01-C	126HB
		6		AN3-11A														Bolt		4			04-A	128
		4		365-1032														Nut		4			04-A	128
		7		87-37-905														Retracting Strut Assembly	A	1			01-C	126HB
		7		87-37-905-10														Retracting Strut Assembly	B - up	1			01-C	126HB
		8		AN6-14														Bolt		2			04-A	128
		9		AN960-616														Washer		2			04-A	128
		10		365-624														Nut		2			04-A	128
		11		AN4-5A														Bolt		2			04-A	128
		12		AN960-416														Washer		2			04-A	128
		13		365-428														Nut		2			04-A	128
		14		87-37-510														Oleo Strut Assembly		1			01-C	126HB
		15		AN7-14														Bolt		1			04-A	128
		16		AN960-716														Washer		1			04-A	128
		17		AN310-7														Nut		1			04-A	128
		18		AN380-C3-3														Cotter Pin		1			29	128
		19		85-37-015														Universal		1			01-C	126HB
		20		AN27-27														Bolt		1			04-A	128
		16		AN960-716														Washer		1			04-A	128
		21		AN320-7														Nut		1			04-A	128
		18		AN380-C3-3														Cotter Pin		1			29	128
		22		AN7-20														Bolt		1			04-A	128
		16		AN960-716L														Washer		1			04-A	128
		17		AN310-7														Nut		1			04-A	128
		18		AN380-C3-3														Cotter Pin		1			29	128
		23		87-37-512														Fitting - Drag Truss Rear		1			01-C	126HB
		24		87-37-513														Tube - Drag Truss		1			01-C	126HB
		25		AN27-46														Bolt		3			04-A	128
		16		AN960-716														Washer		3			04-A	128
		21		AN320-7														Nut		3			04-A	128
		18		AN380-C3-3														Cotter Pin		3			29	128
		26		AN37-44														Bolt		3			04-A	128
	16		AN960-716														Washer		3			04-A	128	
	21		AN320-7														Nut		3			04-A	128	
	18		AN380-C3-3														Cotter Pin		3			29	128	
	27		87-37-525														Fitting - Drag Truss Front		1			01-C	126HB	
	28		AN6-16														Bolt		2			04-A	128	
	29		AN310-6														Nut		2			04-A	128	
	18		AN380-C3-3														Cotter Pin		2			29	128	
	30		87-37-927														Boot Assembly		1			01-C	126HB	
	31		81-37-217														Trunnion - Door Operating		1			01-C	126HB	
	32		75-37-054														Collar		1			01-C	126HB	
	33		AN23-15														Bolt		1			04-A	128	
	3		AN960-10														Washer		1			04-A	128	
	34		AN320-3														Nut		1			04-A	128	
	35		AN380-C2-2														Cotter Pin		1			29	128	
	36		AN161-46L														Fork		2			04-A	128	
	37		AN24-15														Bolt		2			04-A	128	
	38		1025-D-.3125-.625														Spacer		2			01-C	126HB	

RESTRICTED
T. O. No. 01-25C-4
SECTION II—GROUP ASSEMBLY PARTS LISTS

FIG. NO.	INDEX NO.	STOCKED	GROUP - ALIGHTING GEAR						UNITS PER ASSY	PROPERTY CLASSIFICATION			
			MAJOR ASSEMBLY - TAIL WHEEL INSTALLATION (Cont.)							U.S. NAVY	U.S. ARMY	BRITISH	
			PART NUMBER	1	2	3	4	5					6
53	39		AN320-4						2		01-C	128	
	40		AN380-C2-3						2		29	128	
	41		AN155-46L						2		01-A	128	
	42		87-37-024						2		01-C	126HB	
	43		AN23-19						2		04-A	128	
	44		87-37-035						2		01-C	126HB	
	3		AN960-10						2		04-A	128	
	34		AN320-3						2		04-A	128	
	35		AN380-C2-2						2		29	128	
FIG. NO.	INDEX NO.	STOCKED	GROUP - ALIGHTING GEAR						UNITS PER ASSY	PROPERTY CLASSIFICATION			
			MAJOR ASSEMBLY - TAIL WHEEL SPINDLE							U.S. NAVY	U.S. ARMY	BRITISH	
			PART NUMBER	1	2	3	4	5					6
54			87-37-901									01-C	126HB
			87-37-901-200									01-C	126HB
	1		Spec 26547						1			04-B	127A
	2		Spec 26550						1			04-B	127A
	3		Spec 25272						1			03-B	127A
	4		35A239-2						1			03-B	126HB
	5		35B416-1						1			03-B	126HB
	6		AN380-C4-7						1			29	128
	7		87-37-550						1			01-C	126HB
	8		85-37-022						1			01-C	126HB
	9		35A237-3						1			01-C	126HB
	10		35A236-3						2			01-C	126HB
	11		35A235-3						1			01-C	126HB
	12		87-37-536						1			01-C	126HB
	13		87-37-535						1			01-C	126HB
	14		AN510-10-5						6			29	128
	15		19268						1			29	127A
	16		19150						1			29	127A
	17		35A239-1						1			03-B	126HB
	18		35A232						1			03-B	126HB
	19		87-37-932						1			01-C	126HB
	20		35B416-3						1			03-B	126HB
	6		AN380-C4-7						1			29	128
	21		87-37-523						1			01-C	126HB
	22		35A230						1			03-B	126HB
23		35A231						1			03-B	126HB	
24		AN320-12						1			04-A	128	
25		AN380-C4-5						1			29	128	
INDEX NO.	STOCKED	GROUP - ALIGHTING GEAR						UNITS PER ASSY	PROPERTY CLASSIFICATION				
		MAJOR ASSEMBLY - TAIL WHEEL RETRACTING STRUT							U.S. NAVY	U.S. ARMY	BRITISH		
		PART NUMBER	1	2	3	4	5					6	NOMENCLATURE
55			87-37-901									01-C	126HB
			87-37-901-200									01-C	126HB
			87-37-905									01-C	126HB
			87-37-905-10									01-C	126HB
1			75-37-020						1			01-C	126HB
2			87-37-920						1			01-C	126HB

RESTRICTED

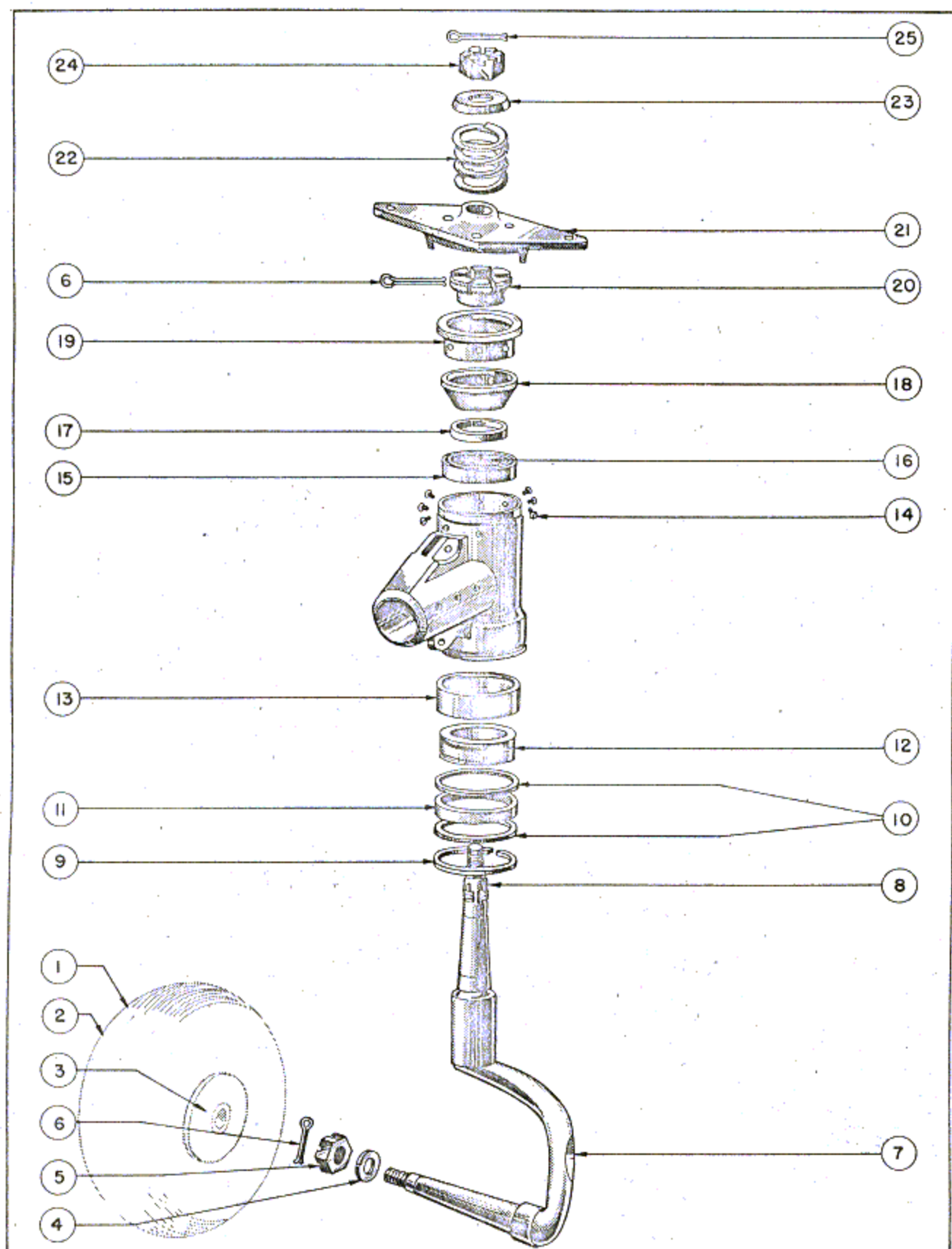


Figure 54—Tail Wheel Spindle

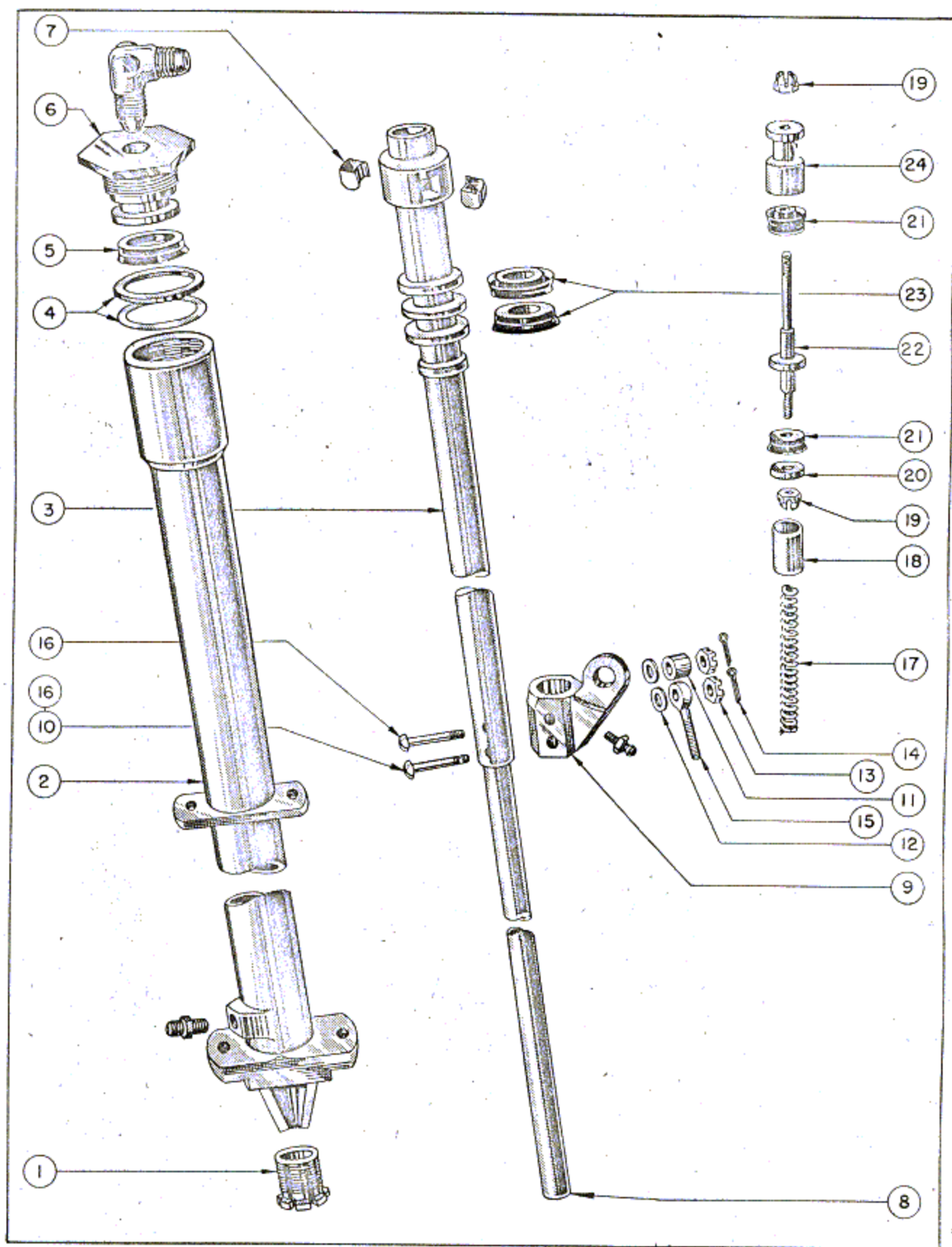


Figure 55—Tail Wheel Retracting Strut

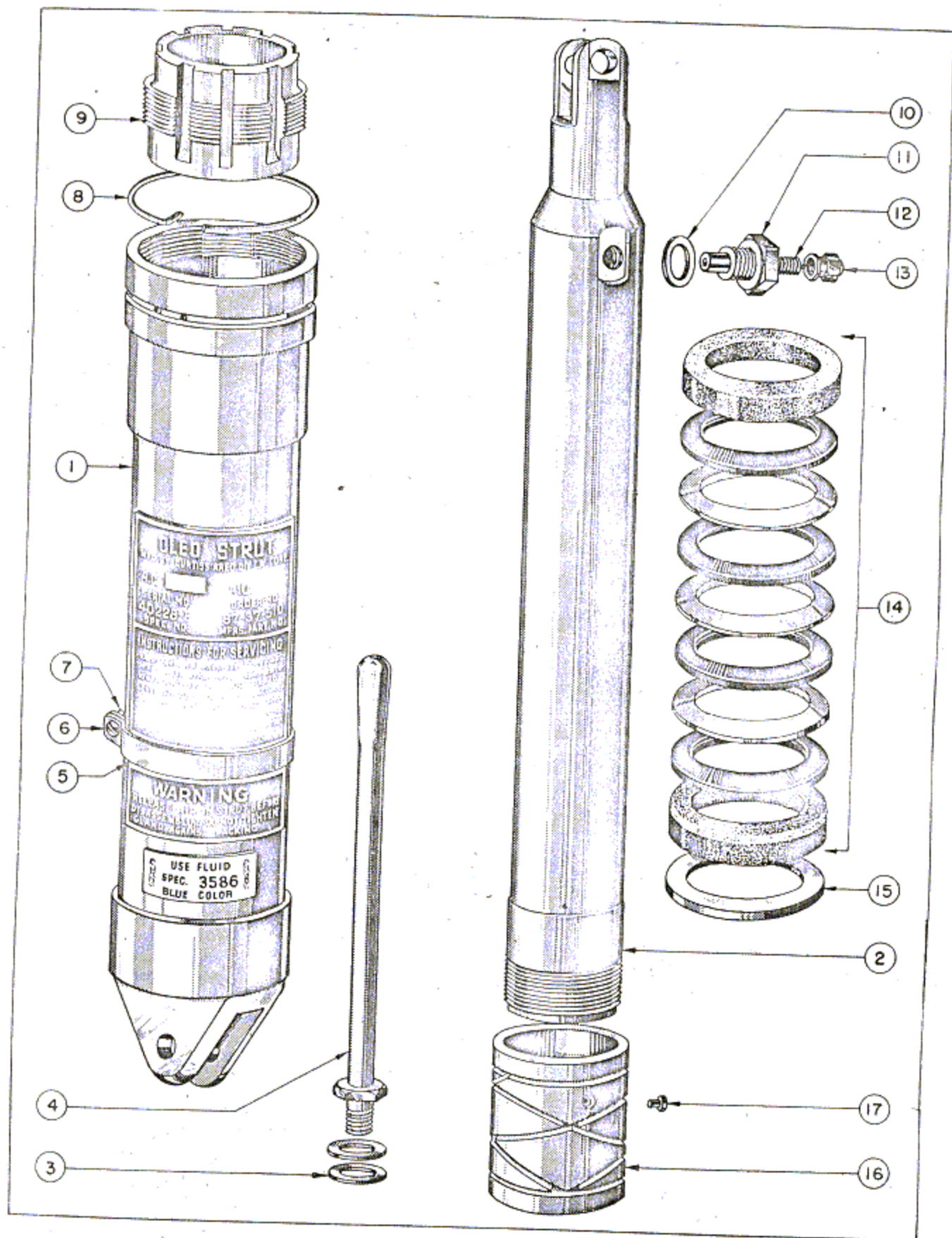


Figure 56—Tail Wheel Oleo Strut

RESTRICTED
T. O. No. 01-25C-4
SECTION II—GROUP ASSEMBLY PARTS LISTS

FIG. NO.	INDEX NO.	STOCKED	GROUP - ALIGHTING GEAR						UNITS PER ASSY.	PROPERTY CLASSIFICATION				
			MAJOR ASSEMBLY - TAIL WHEEL RETRACTING STRUT (Cont.)							U.S. NAVY	U.S. ARMY	BRITISH		
			PART NUMBER	1	2	3	4	5					6	NOMENCLATURE
55	3		87-37-919							1		01-C	126HB	
	4		75-37-028							2		01-C	126HB	
	5		75-37-029							1		01-C	126HB	
	6		75-37-019							1		01-C	126HB	
	7		75-37-023							2		01-C	126HB	
	8		87-37-016							1		01-C	126HB	
	9		81-37-013							1		01-C	126HB	
	10		AN24-25							1		04-A	128	
	11		75-37-065							1		01-C	126HB	
	12		AN960-416							1		04-A	128	
	13		AN320-4							1		04-A	128	
	14		AN380-C2-2							1		29	128	
	15		75-66-109-3							1		01-C	126HB	
	16		AN24-20							1		04-A	128	
	12		AN960-416							1		04-A	128	
	13		AN320-4							1		04-A	128	
	14		AN380-C2-2							1		29	128	
	16		AN24-20							1		04-A	128	
	12		AN960-416							1		04-A	128	
	13		AN320-4							1		04-A	128	
	14		AN380-C2-2							1		29	128	
	17		75-37-079							1		01-C	126HB	
	18		75-37-080							1		01-C	126HB	
	19		AN310-3							2		04-A	128	
20		75-37-026							1		01-C	126HB		
21		75-37-031							2		01-C	126HB		
22		75-37-025							1		01-C	126HB		
23		75-37-030							2		01-C	126HB		
24		75-37-024							1		01-C	126HB		
56			GROUP - ALIGHTING GEAR						UNITS PER ASSY.	PROPERTY CLASSIFICATION				
			MAJOR ASSEMBLY - TAIL WHEEL OLEO STRUT							U.S. NAVY	U.S. ARMY	BRITISH		
			PART NUMBER	1	2	3	4	5	6				NOMENCLATURE	
	1		87-37-510							Oleo Strut Assembly	1		01-C	126HB
	2		87-37-013							Cylinder	1		01-C	126HB
	3		87-37-514							Piston	1		01-C	126HB
	4		75-37-067-2							Gasket	2		01-C	126HB
	5		87-37-516							Metering Pin	1		01-C	126HB
	6		91310-36							Clamp	1		01-C	126HB
	7		AN515-8-7							Screw - Clamp Attaching	1		29	128
	8		365-832							Nut - Clamp Attaching	1		04-A	128
	9		75-37-033							Retainer	1		01-C	126HB
	10		75-37-059							Nut	1		01-C	126HB
	11		AN901-5C							Gasket	1		04-A	128
	12		AN612-1							Body	1		04-A	128
	13		AN809-1							Core	1		04-A	128
	14		AN813-1							Cap	1		04-A	128
	15		75-37-060							Packing Assembly	1		01-C	126HB
	16		75-37-061							Washer	1		01-C	126HB
	17		87-37-018							Orifice	1		01-C	126HB
			72016-1							Pin	1		01-C	126HB

RESTRICTED

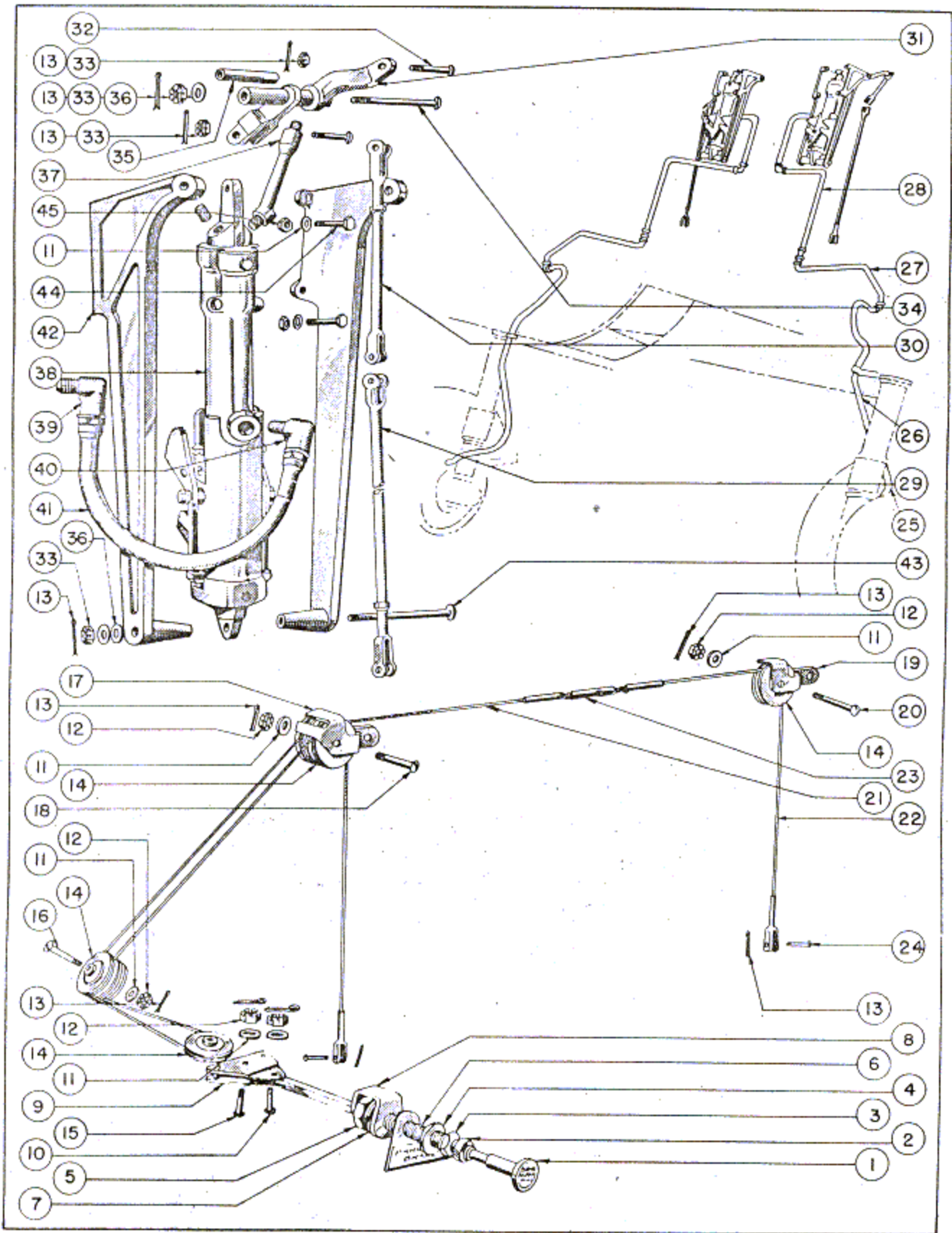


Figure 57—Brake Installation

RESTRICTED
T. O. No. 01-25C-4
SECTION II—GROUP ASSEMBLY PARTS LISTS

FIG. NO.	INDEX NO.	STOCK KEY	GROUP - ALIGHTING GEAR						UNITS PER ASSY	PROPERTY CLASSIFICATION					
			MAJOR ASSEMBLY - BRAKE INSTALLATION							U.S. NAVY	U.S. ARMY	BRITISH			
			PART NUMBER	1	2	3	4	5					6	NOMENCLATURE	
57			87-32-501						Brake Installation	A - C	1		01-C	126HB	
			87-590-1000						Brake Installation	D - up	1		01-C	126HB	
			87-32-501-1						Braking Control Installation	A - C	1		01-C	126HB	
			87-590-1000-1						Braking Control Installation	D - up	1		01-C	126HB	
			87-32-515						Control Handle Assembly						
									Imperial Brass Co.			1		01-C	126HB
	1		EX-46820-23						Knob Assembly			1		01-C	126HB
	2		68836-2						Ferrule			1		01-C	126HB
	3		68836-3						Cylinder			1		01-C	126HB
	4		68836-5						Washer			1		01-C	126HB
	5		68836-6						Lock Nut			1		01-C	126HB
	6		68836-7						Tube			1		01-C	126HB
	7		AN933-716L						Lock Washer			1		04-A	128
	8		87-32-515						Clip			1		01-C	126HB
	9		87-32-532						Bracket			1		01-C	126HB
	10		AN23-10						Bolt			1		04-A	128
	11		AN960-10						Washer			1		04-A	128
	12		AN320-3						Nut			1		04-A	128
	13		AN380-C2-2						Cotter Pin			1		29	128
	14		AN210-1A						Pulley			1		04-A	128
	15		AN23-12						Bolt			1		04-A	128
	11		AN960-10						Washer			1		04-A	128
	12		AN320-3						Nut			1		04-A	128
	13		AN380-C2-2						Cotter Pin			1		29	128
	14		AN210-1A						Pulley			2		04-A	128
	16		AN23-16						Bolt			1		04-A	128
	11		AN960-10						Washer			1		04-A	128
	12		AN320-3						Nut			1		04-A	128
	13		AN380-C2-2						Cotter Pin			1		29	128
	17		87-32-527						Guard			1		01-C	126HB
	14		AN210-1A						Pulley			2		04-A	128
	18		AN23-23						Bolt			1		04-A	128
11		AN960-10						Washer			1		04-A	128	
12		AN320-3						Nut			1		04-A	128	
13		AN380-C2-2						Cotter Pin			1		29	128	
19		87-32-526						Guard			1		01-C	126HB	
14		AN210-1A						Pulley			1		04-A	128	
20		AN23-18						Bolt			1		04-A	128	
11		AN960-10						Washer			1		04-A	128	
12		AN320-3						Nut			1		04-A	128	
13		AN380-C2-2						Cotter Pin			1		29	128	
21		87-32-528-1						Cable Assembly			1		01-C	126HB	
22		87-32-528-2						Cable Assembly			1		01-C	126HB	
23		037994						Barrel			1		04-A	126HB	
24		PC2891						Pin	(Aero Supply Co.)		2		04-A	126HB	
13		AN380-C2-2						Cotter Pin			2		29	128	
25		87-32-530						Hose Assembly			2		01-C	126HB	
26		87-32-501-6L						Tube Assembly	A - C		1		01-C	126HB	
		87-32-501-6R						Tube Assembly	A - C		1		01-C	126HB	
26		87-590-1000-12L						Tube Assembly	D - up		1		01-C	126HB	
		87-590-1000-12R						Tube Assembly	D - up		1		01-C	126HB	
27		87-32-501-4L						Tube Assembly	A - C		1		01-C	126HB	
		87-32-501-4R						Tube Assembly	A - C		1		01-C	126HB	
27		87-590-1000-4L						Tube Assembly	D - up		1		01-C	126HB	
		87-590-1000-4R						Tube Assembly	D - up		1		01-C	126HB	
28		87-32-501-2L						Tube Assembly	A - C		1		01-C	126HB	
		87-32-501-2R						Tube Assembly	A - C		1		01-C	126HB	

RESTRICTED

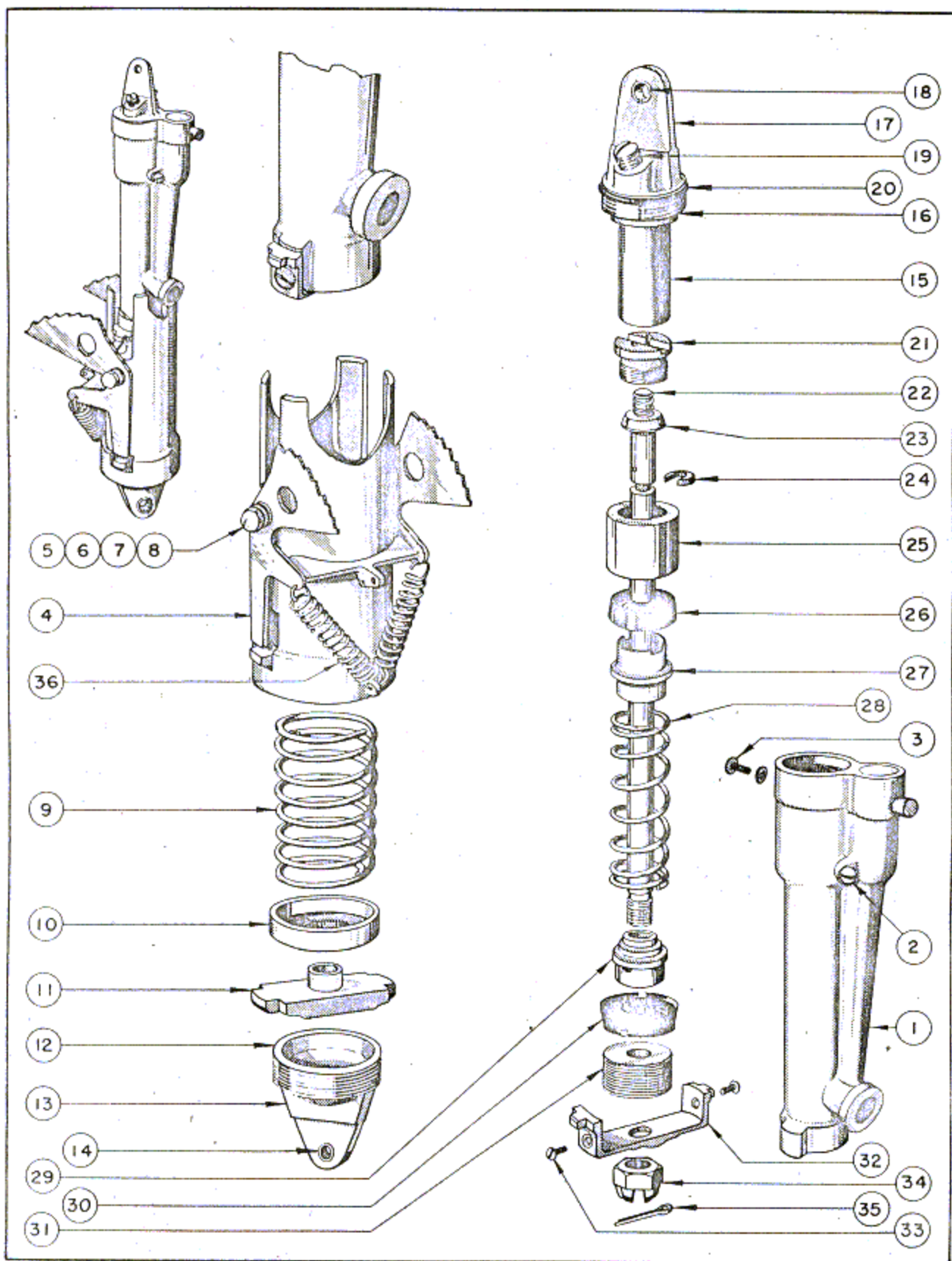


Figure 58—Brake Control Unit

RESTRICTED
T. O. No. 01-25C-4
SECTION II—GROUP ASSEMBLY PARTS LISTS

FIG. NO.	INDEX NO.	STOCK NO.	GROUP - ALIGHTING GEAR						UNITS PER ASSY	PROPERTY CLASSIFICATION			
			MAJOR ASSEMBLY - BRAKE CONTROL UNIT (Cont.)							U.S. NAVY	U.S. ARMY	BRITISH	
			PART NUMBER	1	2	3	4	5					6
58	20		3628							1		03-B	126HB
	21		3948							1		03-B	126HB
	22		3949							1		03-B	126HB
	23		3304							1		03-E	126HB
	24		3233							1		03-B	126HB
	25		3298							1		03-B	126HB
	26		3475							1		03-B	126HB
	27		3303							1		03-B	126HB
	28		3305-1							1		03-B	126HB
	29		3302							1		03-B	126HB
	30		3475							1		03-B	126HB
	31		3295							1		03-B	126HB
	32		3179							1		03-B	126HB
	33		AN510-10-5							2		29	128
	34		AN310-6							1		04-A	128
	35		AN380-C3-2							1		29	128
	36		3317							2		03-B	126HB

RESTRICTED
T. O. No. 01-25C-4
SECTION II—GROUP ASSEMBLY PARTS LISTS

FIG. NO.	INDEX NO.	STOCKED	GROUP - POWER PLANT						UNITS PER ASSY	PROPERTY CLASSIFICATION				
			MAJOR ASSEMBLY - ENGINE COWLING							U.S. NAVY	U.S. ARMY	BRITISH		
			PART NUMBER	1	2	3	4	5					6	NOMENCLATURE
59	1		87-23-703-20	Cowl Assembly						AF43-5403 - AF43-5462		01-C	126HB	
			87-23-703	Cowl Assembly							AF43-5463 - B	1	01-C	126HB
			87-290-1001	Cowl Assembly							C - I		01-C	126HB
			87-290-1001-1	Cowl Assembly							J		01-C	126HB
			87-290-1001-2	Cowl Assembly							K - up		01-C	126HB
			87-29-702-200	Engine Cowling Installation							AF43-5403 - AF43-5462	1	01-C	126HB
			87-29-704	Engine Cowling Installation							AF43-5463 - B	1	01-C	126HB
			87-730-1001	Engine Cowling Installation							C - I	1	01-C	126HB
			87-730-1001-1	Engine Cowling Installation							J	1	01-C	126HB
			87-730-1001-2	Engine Cowling Installation							K - up	1	01-C	126HB
			87-29-864	Top Cowl							AF43-5403 - AF43-5462	1	01-C	126HB
			87-29-792	Top Cowl							AF43-5463 - B	1	01-C	126HB
			87-730-1013	Top Cowl							C - up	1	01-C	126HB
			87-29-768L	Side Cowl							AF43-5403 - AF43-5462	1	01-C	126HB
			87-29-768R	Side Cowl							AF43-5403 - AF43-5462	1	01-C	126HB
	87-29-705-60L	Side Cowl							AF43-5463 - up	1	01-C	126HB		
	87-29-705-60R	Side Cowl							AF43-5463 - up	1	01-C	126HB		
	87-29-816	Bottom Cowl							AF43-5403 - J	1	01-C	126HB		
	87-29-816-50	Bottom Cowl							K - up	1	01-C	126HB		
	1101-DS-10	Screw								2	01-C	126HB		

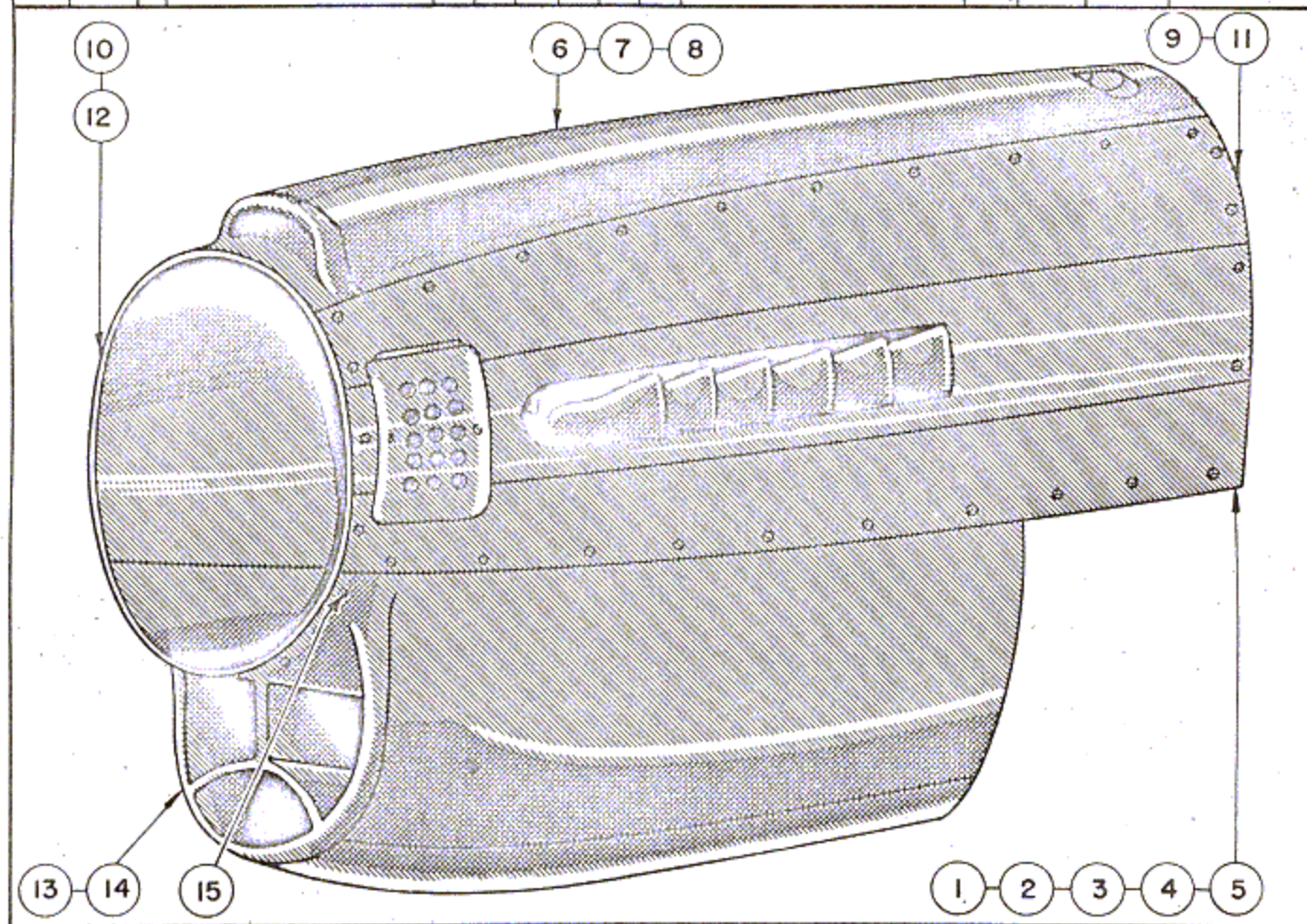
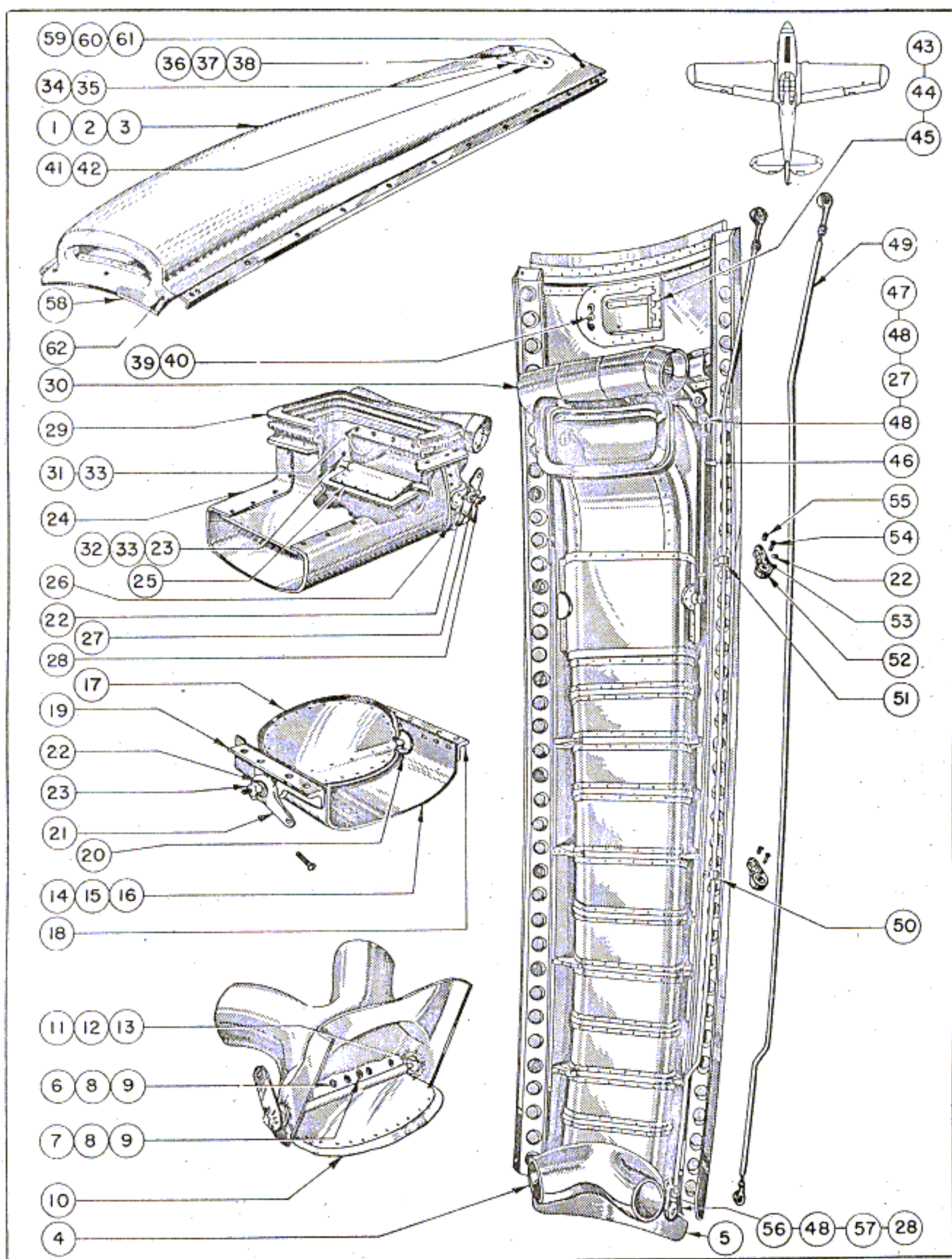


Figure 59—Engine Cowling



RESTRICTED
T.O. No. 01-25C-4
SECTION II—GROUP ASSEMBLY PARTS LISTS

FIG. NO.	INDEX NO.	STOCK #	GROUP- POWER PLANT						UNITS PER ASSY	PROPERTY CLASSIFICATION			
			MAJOR ASSEMBLY - TOP COWLING							U.S. NAVY	U.S. ARMY	BRITISH	
			PART NUMBER	1	2	3	4	5					6
60			87-23-702-20									01-C	126HB
			87-23-703									01-C	126HB
			87-290-1001									01-C	126HB
			87-290-1001-1									01-C	126HB
			87-290-1001-2									01-C	126HB
			87-29-702-200									01-C	126HB
			87-29-704									01-C	126HB
			87-730-1001									01-C	126HB
			87-730-1001-1									01-C	126HB
			87-730-1001-2									01-C	126HB
1			87-29-864									01-C	126HB
2			87-29-792									01-C	126HB
3			87-730-1013									01-C	126HB
4			87-51-768									01-C	126HB
5			87-29-711								1	01-C	126HB
6			AN526-428-20								1	01-C	126HB
7			AN526-428-12								2	29	128
8			AN960-416								2	29	128
9			365-428								4	04-A	128
											4	04-A	128
10			87-51-760								1	01-C	126HB
11			87-51-764								1	01-C	126HB
12			87-730-1014								1	01-C	126HB
13			87-51-765								2	01-C	126HB
14			87-29-864-105									01-C	126HB
15			87-29-792-105								1	01-C	126HB
16			87-730-1013-105								1	01-C	126HB
17			87-29-734								1	01-C	126HB
18			87-29-764L								1	01-C	126HB
19			87-29-764R								1	01-C	126HB
20			87-29-865								2	01-C	126HB
21			87-29-744								1	01-C	126HB
22			AN960-10								1	04-A	128
23			365-1032								1	04-A	128
24			87-29-735								1	01-C	126HB
25			87-29-732								1	01-C	126HB
26			87-29-743								1	01-C	128
27			AN960-10								1	04-A	128
28			AN310-3								1	04-A	128
29			AN380C2-2								1	29	128
30			87-51-733-1								1	01-C	126HB
31			87-51-759								1	01-C	126HB
32			AN526-1032-14								4	29	128
33			AN526-1032-10								10	29	128
34			AN960-B10								14	04-A	128
35			365-1032								10	04-A	128
36			87-29-554								1	01-C	126HB
37			87-29-554-3								1	01-C	126HB
38			87-29-554-5								1	01-C	126HB
39			87-29-554-7								1	01-C	126HB
40			87-29-554-8								1	01-C	126HB
41			FA6 1/2-45								1	04-A	27H
42			GF6 1/2-218								1	04-A	27H
43			87-730-1013-195								1	01-C	126HB
			87-730-1013-206								1	01-C	126HB
			87-730-1013-194								1	01-C	126HB

RESTRICTED

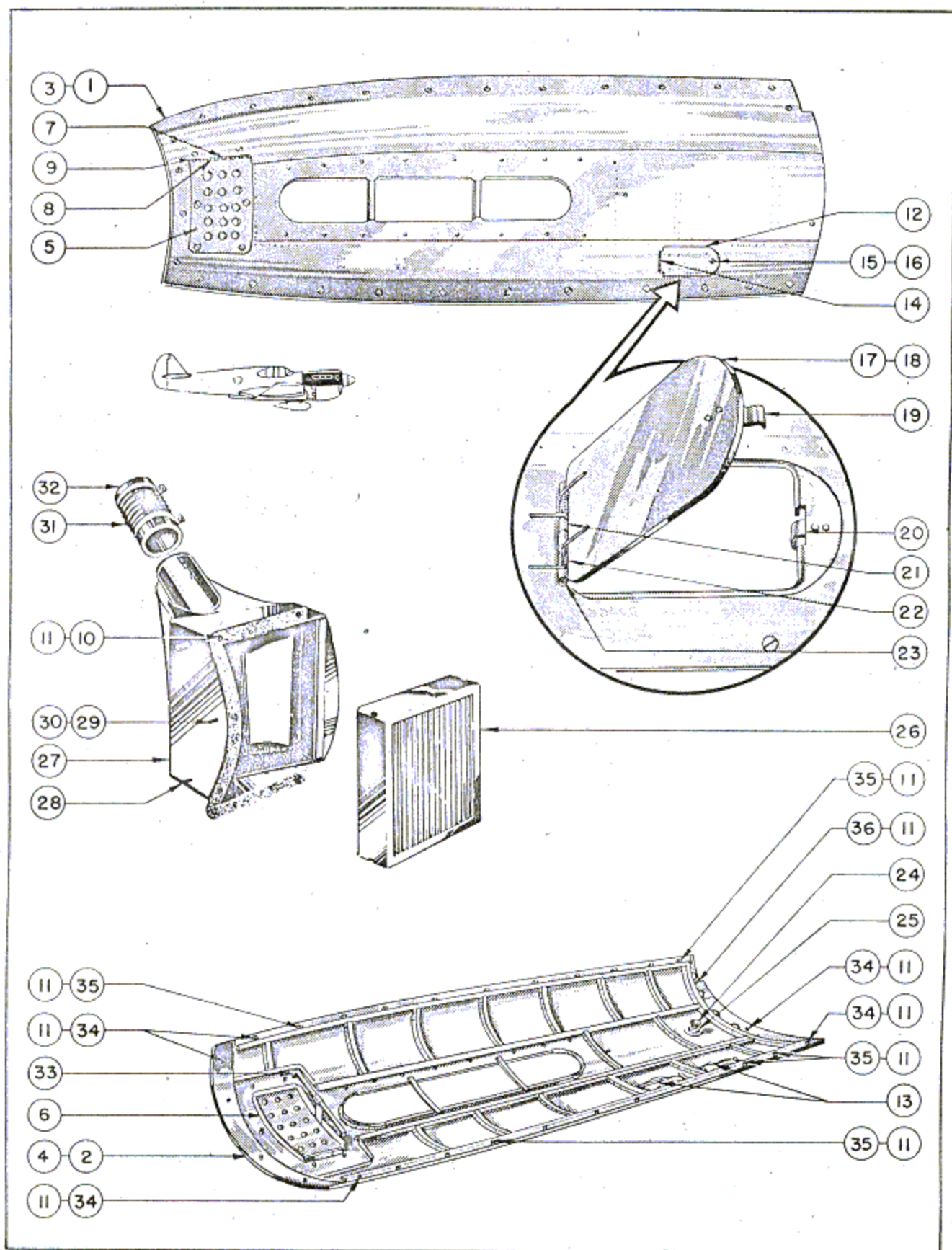


Figure 61—Side Cowling and Air Filter

RESTRICTED
T.O. No. 01-25C-4
SECTION II—GROUP ASSEMBLY PARTS LISTS

FIG. NO.	INDEX NO.	STOCKED	GROUP - POWER PLANT						UNITS PER ASSY	PROPERTY CLASSIFICATION			
			MAJOR ASSEMBLY - TOP COWLING (Cont.)							U.S. NAVY	U.S. ARMY	BRITISH	
			PART NUMBER	1	2	3	4	5					6
60	44		87-730-1013-193							1		01-C	126HB
	45		87-730-1013-214							1		01-C	126HB
	39		FA6 1/2-45							1		04-A	27H
	40		GF6 1/2-218							1		04-A	27H
	46		1078-D-1-2B-12.25							1		01-C	126HB
	47		AN3-10							2		04-A	128
	48		AN960-10L							2		04-A	128
	27		AN310-3							2		04-A	128
	28		AN380C2-2							2		29	128
	49		87-460-1020							1		01-C	126HB
	50		87-460-1033							1		01-C	126HB
	51		87-460-1034							1		01-C	126HB
	52		87-460-1030							2		01-C	126HB
	53		87-460-1029-1							1		01-C	126HB
	54		AN526-1032-12							1		29	128
	55		AN526-1032-9							1		29	128
	22		AN960-10							2		04-A	128
	56		AN23-18							1		04-A	128
	48		AN960-10L							1		04-A	128
	57		AN320-3							1		04-A	128
	28		AN380C2-2							1		29	128
	58		87-29-511							1		01-C	126HB
	59		1106-DS-10							2		01-C	126HB
	60		AN960-D616							2		04-A	128
	61		365-624							2		04-A	128
	62		1101-DS-10							3		01-C	126HB

FIG. NO.	INDEX NO.	STOCKED	GROUP - POWER PLANT						UNITS PER ASSY	PROPERTY CLASSIFICATION					
			MAJOR ASSEMBLY - SIDE COWLING AND AIR FILTER							U.S. NAVY	U.S. ARMY	BRITISH			
			PART NUMBER	1	2	3	4	5					6	NOMENCLATURE	
61			87-23-702-20	Cowl Assembly									01-C	126HB	
			87-23-703	Cowl Assembly										01-C	126HB
			87-290-1001	Cowl Assembly										01-C	126HB
			87-290-1001-1	Cowl Assembly										01-C	126HB
			87-290-1001-2	Cowl Assembly										01-C	126HB
			87-29-702-200	Engine Cowling Installation										01-C	126HB
			87-29-704	Engine Cowling Installation										01-C	126HB
			87-730-1001	Engine Cowling Installation										01-C	126HB
			87-730-1001-1	Engine Cowling Installation										01-C	126HB
			87-730-1001-2	Engine Cowling Installation										01-C	126HB
	1		87-29-768L	Side Cowl										01-C	126HB
	2		87-29-768R	Side Cowl										01-C	126HB
	3		87-29-705-60L	Side Cowl										01-C	126HB
	4		87-29-705-60R	Side Cowl										01-C	126HB
	5		87-29-705-50L	Door Assembly - L.H.							1			01-C	126HB
	6		87-29-705-50R	Door Assembly - R.H.							1			01-C	126HB
	7		87-29-705-23	Hinge							1			01-C	126HB
8		87-29-705-54	Hinge							1			01-C	126HB	
9		87-29-705-31	Hinge Pin							1			01-C	126HB	

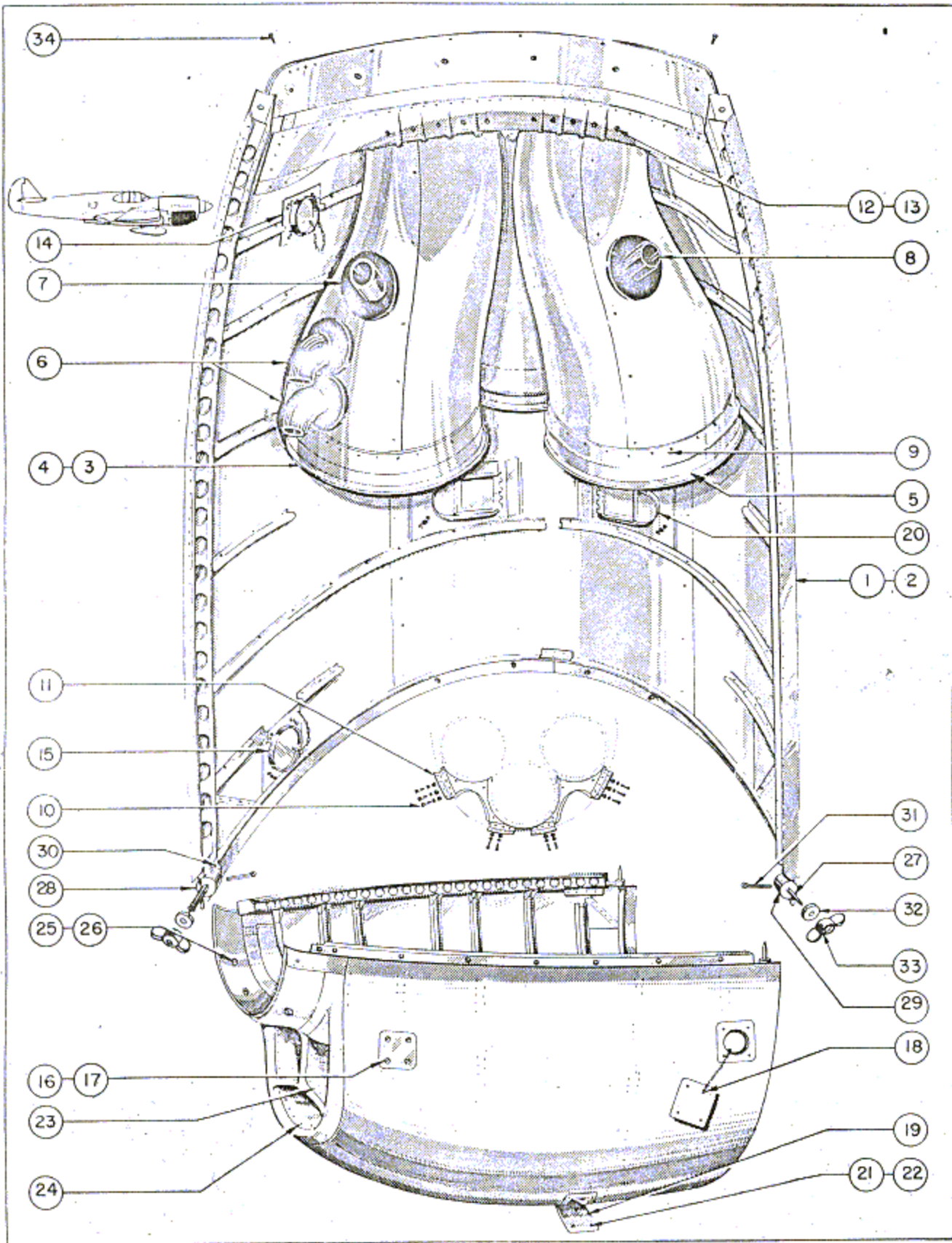


Figure 62—Bottom Cowling—Forward

RESTRICTED
T. O. No. 01-25C-4

SECTION II—GROUP ASSEMBLY PARTS LISTS

FIG. NO.	INDEX NO.	STOCK NO.	GROUP - POWER PLANT						UNITS PER ASSY	PROPERTY CLASSIFICATION			
			MAJOR ASSEMBLY - SIDE COWLING AND AIR FILTER (Cont.)							U.S. NAVY	U.S. ARMY	BRITISH	
			PART NUMBER	1	2	3	4	5					6
61	10		FA6 1/2-65						Fastener (Dzus)	8		04-A	27H
	11		GF6 1/2-218						Grommet (Dzus)	8		04-A	27H
	12		87-29-657-1L						Door Assembly - L.H. AF43-5403 - AF43-5462	1		01-C	126HB
	13		87-29-657-1R						Door Assembly - R.H. AF43-5463 - up	2		01-C	126HB
	14		87-29-657-13						Hinge Assembly	1		01-C	126HB
	15		FA6 1/2-45						Fastener (Dzus)	1		04-A	27H
	16		GF6 1/2-250						Grommet (Dzus)	1		04-A	27H
	17		87-730-1031						Door Assembly AF43-5463 - up	1		01-C	126HB
	18		87-730-1030						Door	1		01-C	126HB
	19		87-730-1028						Spring	1		01-C	126HB
	20		87-730-1034						Clip	1		01-C	126HB
	21		87-730-1033-1						Hinge	1		01-C	126HB
	22		EX-27443						Spring	2		01-C	126HB
	23		1090-D-3.00						Pin	1		01-C	126HB
	24		87-50-032						Outlet - R.H. only A - up	1		01-C	126HB
	25		87-50-036						Grommet	1		01-C	126HB
	26		87-51-762						Filter AF43-5463 - B	2		01-C	126HB
			87-51-770L						Box Assembly AF43-5463 - B	1		01-C	126HB
	27		87-51-770R						Box Assembly AF43-5463 - B	1		01-C	126HB
	28		1101-DS-10						Screw	2		01-C	126HB
	29		AN526-1032-9						Screw	1		29	128
	30		AN960-10						Washer	1		04-A	128
	31		87-81-530-3 1/2-3						Tube	2		01-C	126HB
	32		QS-M56						Clamp (Aero Seal Co.)	2		04-A	126HB
	33		87-51-767						Spring	2		01-C	126HB
	34		FA6 1/2-55						Fastener (Dzus)	11		04-A	27H
	11		GF6 1/2-218						Grommet (Dzus)	11		04-A	27H
	35		FA6 1/2-50						Fastener (Dzus)	17		04-A	27H
	11		GF6 1/2-218						Grommet (Dzus)	17		04-A	27H
	36		FA6 1/2-60						Fastener (Dzus)	1		04-A	27H
	11		GF6 1/2-218						Grommet (Dzus)	1		04-A	27H
	FIG. NO.	INDEX NO.	STOCK NO.	GROUP - POWER PLANT						UNITS PER ASSY	PROPERTY CLASSIFICATION		
				MAJOR ASSEMBLY - BOTTOM COWLING - FORWARD							U.S. NAVY	U.S. ARMY	BRITISH
				PART NUMBER	1	2	3	4	5				
62			87-23-702-20						Cowl Assembly AF43-5403 - AF43-5462			01-C	126HB
			87-23-703						Cowl Assembly AF43-5463 - B			01-C	126HB
			87-290-1001						Cowl Assembly C - I			01-C	126HB
			87-290-1001-1						Cowl Assembly J			01-C	126HB
			87-290-1001-2						Cowl Assembly K - up			01-C	126HB
			87-29-702-200						Engine Cowling Installation AF43-5403 - AF43-5462			01-C	126HB
			87-29-704						Engine Cowling Installation AF43-5463 - B			01-C	126HB
			87-730-1001						Engine Cowling Installation C - I			01-C	126HB
			87-730-1001-1						Engine Cowling Installation J			01-C	126HB
			87-730-1001-2						Engine Cowling Installation K - up			01-C	126HB

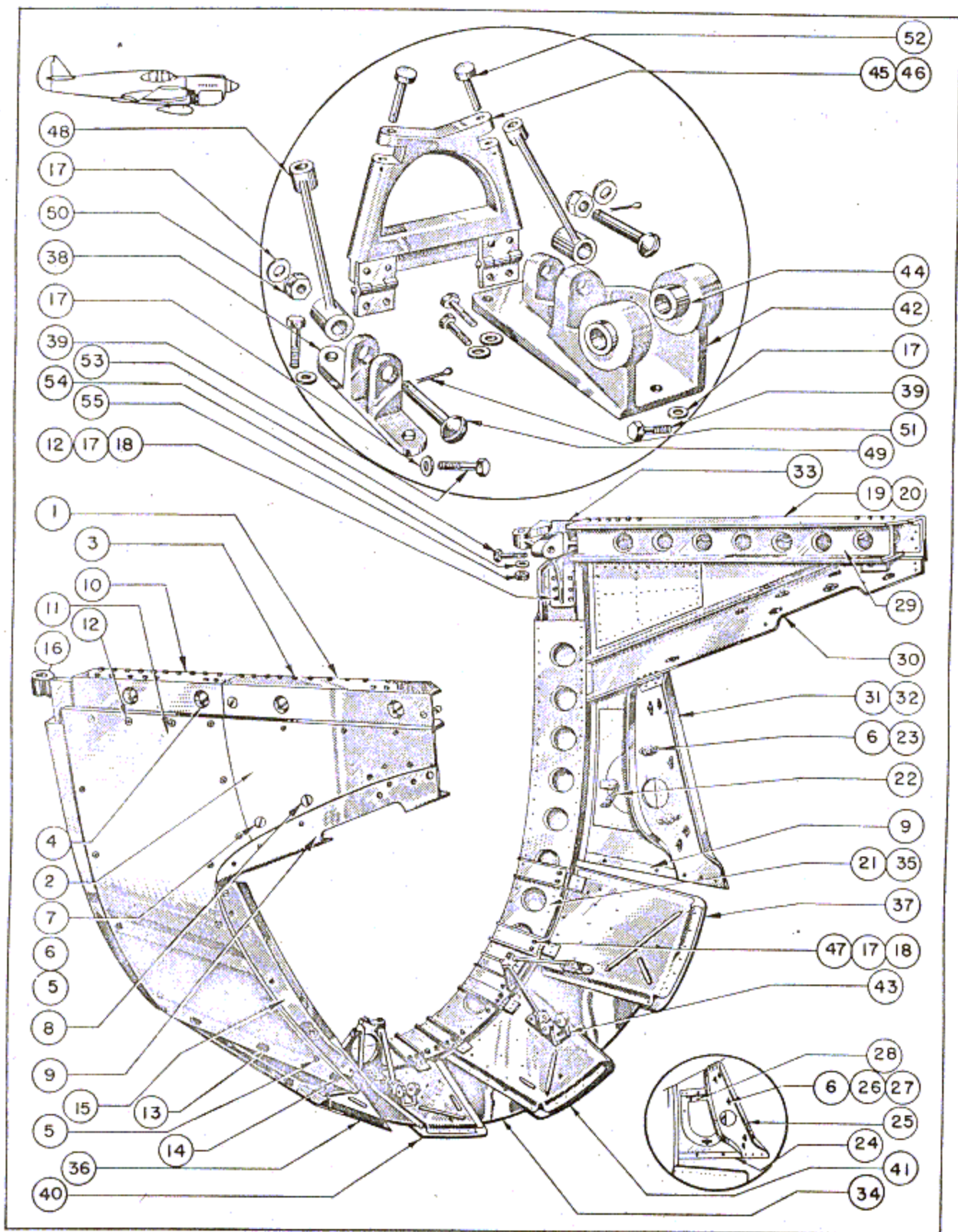


Figure 63—Rear Cowl and Cowl Flaps

RESTRICTED
T. O. No. 01-25C-4

SECTION II—GROUP ASSEMBLY PARTS LISTS

FIG. NO.	INDEX NO.	GROUP - POWER PLANT MAJOR ASSEMBLY - REAR COWLING AND COWL FLAPS (Cont.)	PART NUMBER						NOMENCLATURE	UNITS PER ASSY	PROPERTY CLASSIFICATION		
			1	2	3	4	5	6			U.S. NAVY	U.S. ARMY	BRITISH
63	2	87-29-656-30						Door Assembly	1		01-C	126HB	
	3	87-29-656-32						Former Assembly	1		01-C	126HB	
	4	56-425						Spring (Dzus)	1		04-A	27H	
	5	AN960-D4						Washer	2		04-A	128	
	6	GF6 1/2-250						Grommet (Dzus)	2		04-A	27H	
	7	FA6 1/2-50						Fastener (Dzus)	1		04-A	27H	
	8	FA6 1/2-60						Fastener (Dzus)	1		04-A	27H	
	9	87-29-656-27						Former Assembly	1		01-C	126HB	
	10	87-29-656-40						Former Assembly	1		01-C	126HB	
	11	87-29-656-50						Skin Assembly	1		01-C	126HB	
	12	1101-DS-10						Screw	19		01-C	126HB	
	13	AN526-1032-8						Screw	2		29	128	
	14	AN526-1032-9						Screw	1		29	128	
	15	87-29-749						Former Assembly	1		01-C	128	
	16	87-29-737L						Support	1		01-C	126HB	
	12	1101-DS-10						Screw	6		01-C	126HB	
	17	AN960-D10						Washer	6		04-A	126HB	
	18	365-1032						Nut	6		04-A	128	
	19	87-29-715-20						Cowl Assembly - R.H. Side Rear	1		01-C	126HB	
	20	87-730-1020						A - B Cowl Assembly - R.H. Side Rear	1		01-C	126HB	
								C - up	1		01-C	126HB	
	21	87-29-715-21						Weld Assembly A - B	1		01-C	126HB	
	22	87-29-715-23						Door Assembly A - B	1		01-C	126HB	
	6	GF6 1/2-250						Grommet (Dzus)	2		04-A	27H	
	23	FA6 1/2-55						Fastener (Dzus)	2		04-A	27H	
	24	87-730-1020-1						Weld Assembly C - up	1		01-C	126HB	
	25	87-730-1020-12						Door Assembly C - up	1		01-C	126HB	
	6	GF6 1/2-250						Grommet (Dzus)	1		04-A	27H	
	26	FAW6 1/2-55						Fastener (Dzus) *	1		04-A	27H	
	27	0153189-2						Spring	2		01-C	126HB	
	28	1090-D-4.88						Hinge Pin	1		01-C	126HB	
	29	87-29-739						Former Assembly	1		01-C	126HB	
	30	87-29-748						Former Assembly	1		01-C	126HB	
	31	87-29-749-7						Former Assembly	1		01-C	126HB	
	32	87-730-1021						Former Assembly	1		01-C	126HB	
	33	87-29-737R						Support	1		01-C	126HB	
	12	1101-DS-10						Screw	6		01-C	126HB	
	17	AN960-D10						Washer	6		04-A	128	
	18	365-1032						Nut	6		04-A	128	
	34	87-29-703						Cowl Flap Installation A - up	1		01-C	126HB	
	35	87-29-710						Former Assembly	1		01-C	126HB	
	36	87-29-093L						Flap Assembly - Upper	1		01-C	126HB	
	37	87-29-093R						Flap Assembly - Upper	1		01-C	126HB	
	38	87-29-107						Bearing	1		01-C	126HB	
	39	AN3-5						Bolt	2		04-A	128	
	17	AN960-D10						Washer	2		04-A	128	
	40	87-29-100-1L						Flap Assembly	1		01-C	126HB	
	41	87-29-100-1R						Flap Assembly	1		01-C	126HB	
	42	87-29-108L						Bearing - L.H.	1		01-C	126HB	
43	87-29-108R						Bearing - R.H.	1		01-C	126HB		
44	1007-D-4-.584						Bushing	2		01-C	126HB		
39	AN3-5						Bolt	3		04-A	128		
17	AN960-D10						Washer	3		04-A	128		
45	87-29-110						"A" Frame Assembly	1		01-C	126HB		
46	87-29-113-3						Hinge Assembly	2		01-C	126HB		
47	AN520-10-10						Screw	4		29	128		
17	AN960-D10						Washer	4		04-A	128		
18	365-1032						Nut	4		04-A	128		
48	87-29-855						Link	2		01-C	126HB		
49	AN23-21						Bolt	2		04-A	128		

RESTRICTED
T. O. No. 01-25C-4

SECTION II—GROUP ASSEMBLY PARTS LISTS

FIG. NO.	INDEX NO.	STOCK NO.	GROUP - POWER PLANT							UNITS PER ASSY	PROPERTY CLASSIFICATION		
			MAJOR ASSEMBLY - REAR COWLING AND COWL FLAPS (Cont.)								U.S. NAVY	U.S. ARMY	BRITISH
			PART NUMBER	1	2	3	4	5	6				
63	17		AN960-D10							2		04-A	128
	50		AN320-3						Washer Nut	2		04-A	128
	51		AN380-C2-2						Cotter Pin	2		29	128
	52		AN393-29						Pin	2		04-A	128
	53		ANG-21A			Bolt				2		04-A	128
	54		AN960-D616			Washer				2		04-A	128
	55		365-624			Nut				2		04-A	128

FIG. NO.	INDEX NO.	STOCK NO.	GROUP - POWER PLANT							UNITS PER ASSY	PROPERTY CLASSIFICATION		
			MAJOR ASSEMBLY - EXIT DUCT ASSEMBLY								U.S. NAVY	U.S. ARMY	BRITISH
			PART NUMBER	1	2	3	4	5	6				
64			87-23-702-20						Cowl Assembly	AF43-5403 - AF43-5462		01-C	126HB
			87-23-703						Cowl Assembly	AF43-5463 - B		01-C	126HB
			87-290-1001						Cowl Assembly	C - I		01-C	126HB
			87-290-1001-1						Cowl Assembly	J		01-C	126HB
			87-290-1001-2						Cowl Assembly	K - up		01-C	126HB
			87-29-702-200						Engine Cowling Installation	AF43-5403 - AF43-5462		01-C	126HB
			87-29-704						Engine Cowling Installation	AF43-5463 - B		01-C	126HB
			87-730-1001						Engine Cowling Installation	C - I		01-C	126HB
			87-730-1001-1						Engine Cowling Installation	J		01-C	126HB
			87-730-1001-2						Engine Cowling Installation	K - up		01-C	126HB
	1		87-29-776-42						Exit Duct Assembly	A - B	1	01-C	126HB
	2		87-29-776-24						Duct - Aft		1	01-C	126HB
	3		87-29-776-46						Direct Front		1	01-C	126HB
	4		87-29-776-45						Direct Front		1	01-C	126HB
	5		87-29-776-7						Direct - Center		1	01-C	126HB
	6		AN526-832-8						Screw		15	29	128
	7		87-29-790						Elbow		1	01-C	126HB
	8		87-29-791						Elbow		1	01-C	126HB
	9		87-29-776-26						Door		2	01-C	126HB
	10		FA5-40						Fastener (Dzus)		3	04-A	27H
	11		GF5-.175						Grommet (Dzus)		3	04-A	27H
	12		87-50-723L						Shutter Assembly		1	01-C	126HB
	13		87-50-723R						Shutter Assembly		1	01-C	126HB
	14		87-50-525L						Frame - L.H.		1	01-C	126HB
	15		87-50-525R						Frame - R.H.		1	01-C	126HB
	16		87-50-729						Link		1	01-C	126HB
	17		87-50-730						Link		1	01-C	126HB
	18		87-50-726-1						Top Upper		1	01-C	126HB
	19		87-50-726-2						Intermediate Upper		1	01-C	126HB
	20		87-50-726-3						Center Upper		1	01-C	126HB
	21		87-50-726-4						Center Lower		1	01-C	126HB
	22		87-50-726-5						Intermediate Lower		1	01-C	126HB
	23		87-50-726-6						Bottom Lower		1	01-C	126HB
	24		KS-3						Bearing (Fafnir)		1	29	126HB
	25		F-300						Bearing (Oilite)		12	29	126HB
	26		87-50-731						Pivot		12	01-C	126HB
	27		87-29-776-8						Strip		2	01-C	126HB
	28		87-29-776-9						Strip		1	01-C	126HB
	29		AN526-1032-10						Screw		16	29	128
	30		AN960-10						Washer		16	04-A	128
	31		365-1032						Nut		16	04-A	128

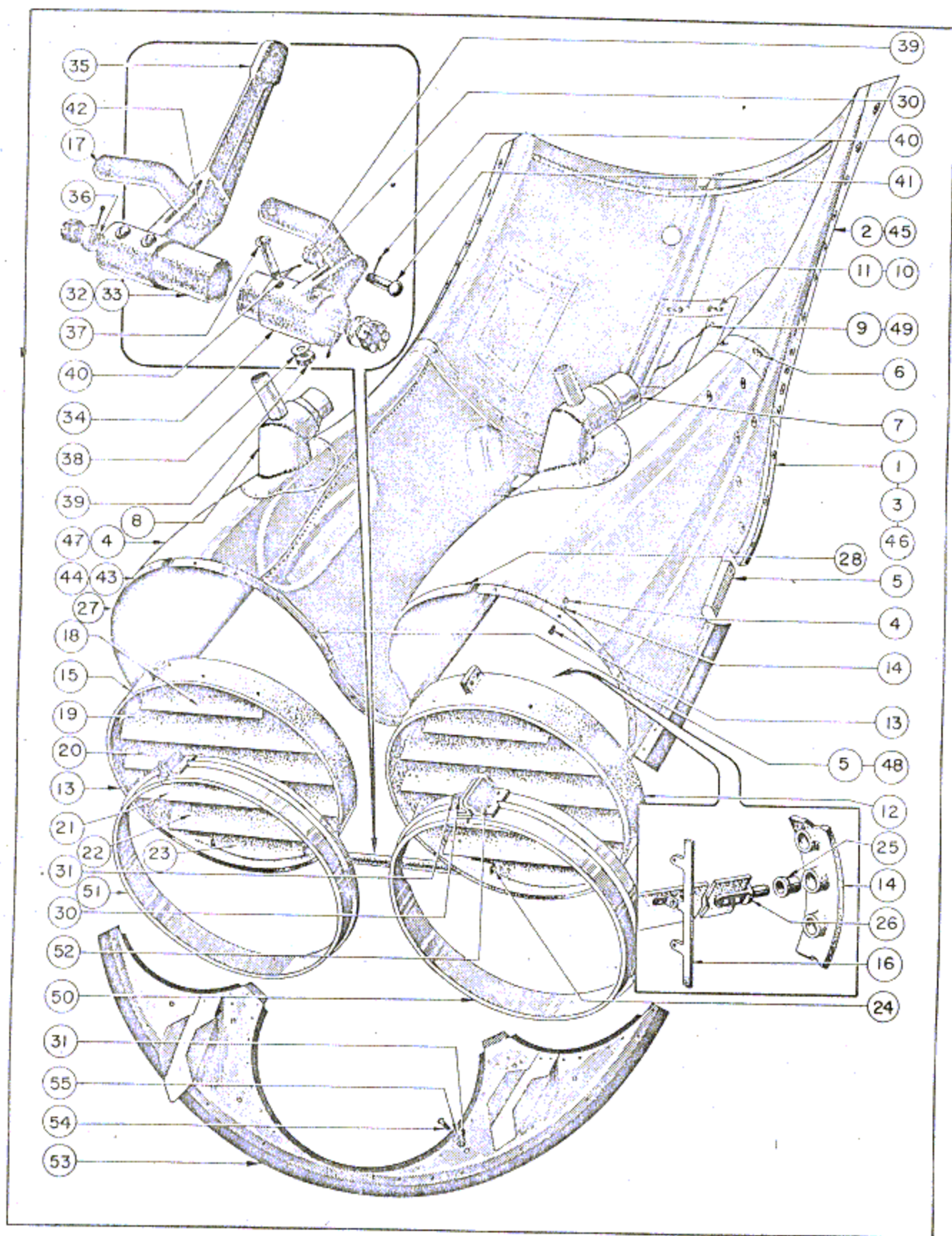


Figure 64—Exit Duct Assembly

RESTRICTED
T. O. No. 01-25C-4

SECTION II—GROUP ASSEMBLY PARTS LISTS

FIG. NO.	INDEX NO.	S T O C K E D	GROUP - POWER PLANT						UNITS PER ASSY	PROPERTY CLASSIFICATION							
			MAJOR ASSEMBLY - EXIT DUCT ASSEMBLY (Cont.)							U.S. NAVY	U.S. ARMY	BRITISH					
			PART NUMBER	1	2	3	4	5					6	NOMENCLATURE			
64	32		87-50-739							1		01-C	126HB				
	33		87-50-733							1		01-C	126HB				
	34		87-50-724							1		01-C	126HB				
	35		87-50-735							1		01-C	126HB				
	36		87-50-732							2		01-C	126HB				
	37		AN23-21							4		04-A	128				
	38		AN960-10L							4		04-A	128				
	39		AN320-3							4		04-A	128				
	40		AN380-C2-2							4		29	128				
	41		AN23-12							1		04-A	128				
	42		AN23-14							1		04-A	128				
	30		AN960-10							2		04-A	128				
	39		AN320-3							2		04-A	128				
	40		AN380-C2-2							2		29	128				
	43		87-730-1012								1		01-C	126HB			
	44		87-730-1012-47								1		01-C	126HB			
	45		87-730-1012-24								1		01-C	126HB			
	46		87-730-1012-46								1		01-C	126HB			
	47		87-730-1012-45								1		01-C	126HB			
	48		87-730-1012-7								1		01-C	126HB			
	6		AN526-832-8								15		29	128			
	7		87-29-790								1		01-C	126HB			
	8		87-29-791								1		01-C	126HB			
	49		87-730-1012-26								2		01-C	126HB			
	10		FA5-40								3		04-A	27H			
	11		GF5-.175								3		04-A	27H			
	50		87-730-1011L								1		01-C	126HB			
	51		87-730-1011R								1		01-C	126HB			
	52		AN526-1032-12								4		29	128			
	30		AN960-10								4		04-A	128			
	31		365-1032								4		04-A	128			
	53		87-29-806-30								1		01-C	126HB			
	54		AN3-4A								4		04-A	128			
	55		AN960-D10								4		04-A	128			
	31		365-1032								4		04-A	128			
	65			GROUP - POWER PLANT						UNITS PER ASSY	PROPERTY CLASSIFICATION						
				MAJOR ASSEMBLY - ENGINE BULKHEAD & COOLING TUBE INSTALLATION							U.S. NAVY	U.S. ARMY	BRITISH				
				PART NUMBER	1	2	3	4	5					6	NOMENCLATURE		
				87-23-702-20												01-C	126HB
				87-23-703												01-C	126HB
				87-290-1001												01-C	126HB
				87-290-1001-1												01-C	126HB
				87-290-1001-2												01-C	126HB
				87-29-702-200												01-C	126HB
				87-29-704												01-C	126HB
				87-730-1001												01-C	126HB
				87-730-1001-1												01-C	126HB
				87-730-1001-2												01-C	126HB

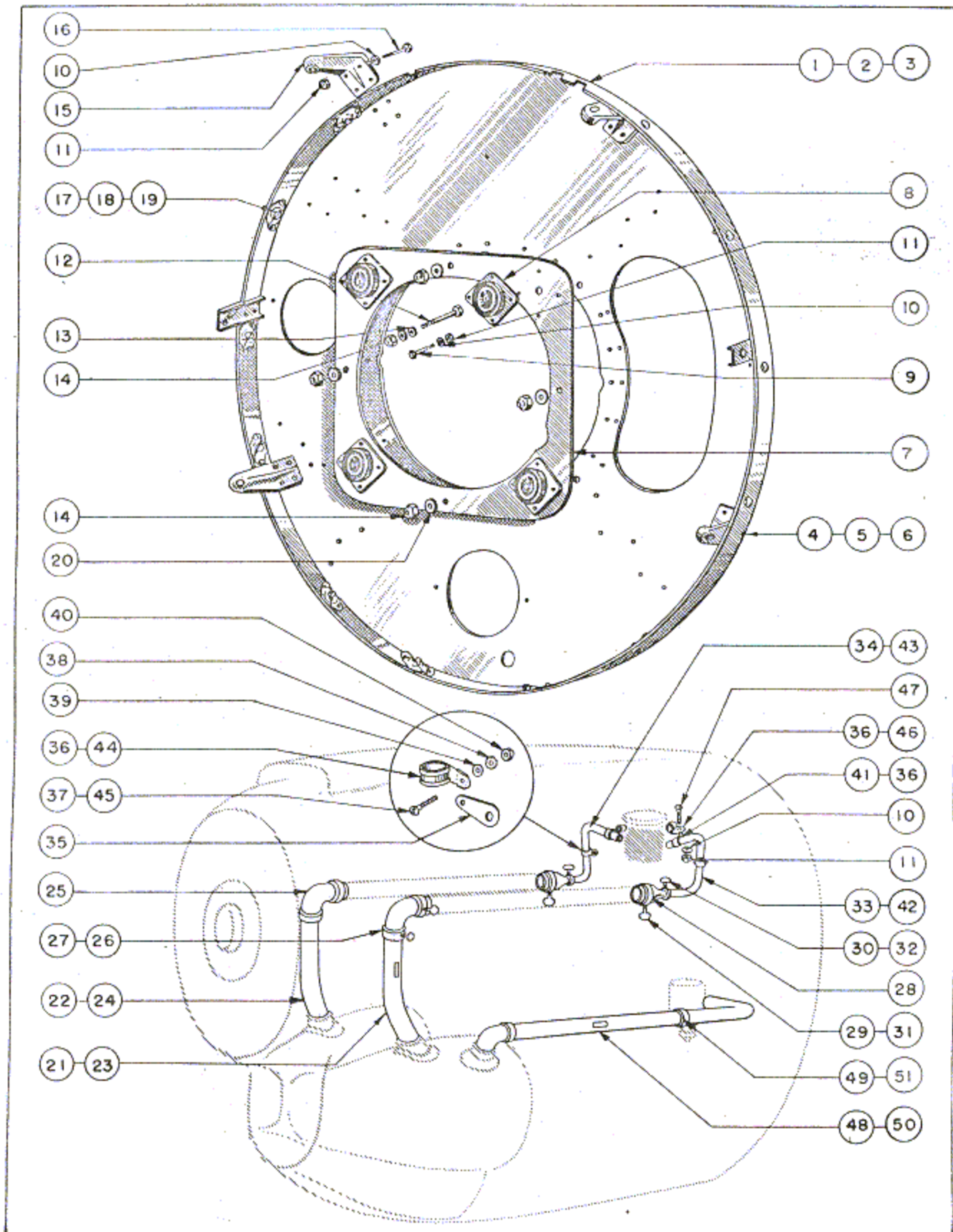


Figure 65—Engine Bulkhead and Cooling Tube Installation

RESTRICTED
T. O. No. 01-25C-4

SECTION II—GROUP ASSEMBLY PARTS LISTS

FIG. NO.	INDEX NO.	S T O C K E D	GROUP - POWER PLANT						UNITS PER ASSY	PROPERTY CLASSIFICATION		
			MAJOR ASSEMBLY - ENGINE BULKHEAD & COOLING TUBE INSTALL. (Cont.)							U.S. NAVY	U.S. ARMY	BRITISH
			PART NUMBER	1	2	3	4	5				
65	1		87-29-708					Bulkhead Assembly				
	2		87-29-708-20					Bulkhead Assembly AF43-5403 - AF43-5462	1		01-C	126HB
	3		87-29-708-40					Bulkhead Assembly AF43-5463 - B	1		01-C	126HB
	4		87-29-708-6					Bulkhead Assembly C - up	1		01-C	126HB
	5		87-29-708-26					Bulkhead AF43-5403 - AF43-5462	1		01-C	126HB
	6		87-29-708-46					Bulkhead AF43-5463 - B	1		01-C	126HB
	7		87-29-708-10					Bulkhead C - up	1		01-C	126HB
	8		SK651-204P60					Lord Mount Assembly	1		01-C	126HB
	9		AN3-4					Lord Mount (81-49-048-60)	4		04-B	126HB
	10		AN960-10					Bolt	16		04-A	128
	11		365-1032					Washer	16		04-A	128
	12		AN6-17					Nut	16		04-A	128
	13		AN960-616					Bolt	4		04-A	128
	14		365-624					Washer	8		04-A	128
								Nut	4		04-A	128
	15		87-29-533					Bracket	4		01-C	126HB
	16		AN3-5					Bolt	16		04-A	128
	10		AN960-10					Washer	16		04-A	128
	11		365-1032					Nut	16		04-A	128
	17		1055-D					Cone	12		01-C	126HB
	18		S6-425					Spring	12		04-A	126HB
	19		AN960-D4					Washer	12		04-A	128
	20		AN960-D616					Washer	4		04-A	128
	14		365-624					Nut	4		04-A	128
			87-29-502					Cooling Tubes Installation A - B	1		01-C	126HB
			87-730-1010					Cooling Tubes Installation C - J	1		01-C	126HB
			87-730-1010-10					Cooling Tubes Installation K - up	1		01-C	126HB
	21		87-29-502-1L					Tube A - B	1		01-C	126HB
	22		87-29-502-1R					Tube A - B	1		01-C	126HB
	23		87-730-1010-1L					Tube C - up	1		01-C	126HB
	24		87-730-1010-1R					Tube C - up	1		01-C	126HB
	25		87-29-750					Flbow	2		01-C	126HB
	26		GT-33					Clamp A - B	4		04-A	126HB
	27		QS-100M-32					Clamp (Aero Seal) C - up	4		04-A	126HB
	28		87-46-568					Adapter	2		01-C	126HB
	29		FBA-28					Clamp (Wittek) A - B	2		04-A	128
	30		FBA-8					Clamp (Wittek) A - B	2		04-A	128
	31		QS-100M-24					Clamp (Aero Seal) C - up	2		04-A	126HB
	32		AN746					Clamp C - up	2		04-A	128
	33		87-29-502-5					Tube A - B	1		01-C	126HB
	34		87-29-502-6					Tube	1		01-C	126HB
	35		1045-D-19					Tab	2		01-C	126HB
	36		755-10-2-8					Clamp (1065-D-10)	2		04-A	128
	37		AN515-8-8					Screw	2		29	128
	38		AN936-B8					Washer	2		29	128
	39		AN960-8					Washer	2		04-A	128
40		365-832					Nut	2		04-A	128	
36		755-10-2-8					Clamp (1065-D-10)	2		04-A	128	
41		755-14-2-8					Clamp (1065-D-14)	2		04-A	128	
10		AN960-10					Washer	2		04-A	128	
11		365-1032					Nut	2		04-A	128	
42		87-730-1010-5					Tube C - up	1		01-C	126HB	
43		87-730-1010-6					Tube	1		01-C	126HB	
35		1045-D-19					Tab	2		01-C	126HB	
44		7001-10I					Clamp (1065-D-10L)	2		04-A	126HB	
45		530-8-8					Screw	2		29	128	
38		AN936-B8					Washer	2		29	128	
46		6001-14					Clamp (1065-DC-14U)	2		04-A	126HB	

RESTRICTED

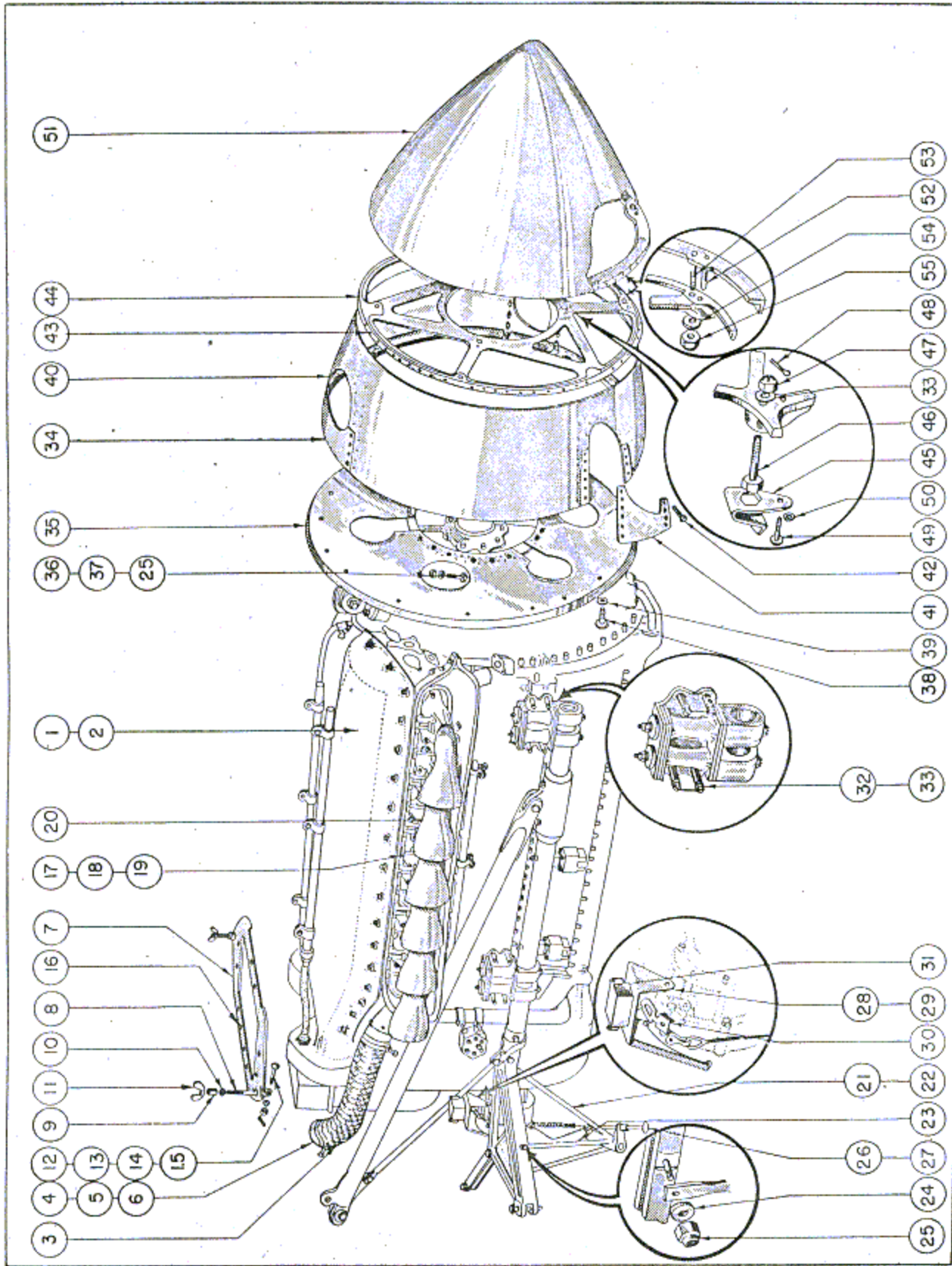


Figure 66—Engine Installation

RESTRICTED
T.O. No. 01-25C-4
SECTION II—GROUP ASSEMBLY PARTS LISTS

FIG. NO.	INDEX NO.	STOCKED	GROUP - POWER PLANT						UNITS PER ASSY	PROPERTY CLASSIFICATION			
			MAJOR ASSEMBLY - ENGINE BULKHEAD & COOLING TUBES (Cont.)							U.S. NAVY	U.S. ARMY	BRITISH	
			PART NUMBER	1	2	3	4	5					6
65	36		755-10-2-8					Clamp	(1065-D-10)	2		04-A	128
	47		530-10-10					Screw		2		29	128
	48		87-29-502-4					Tube Weld Assembly	A - B	1		01-C	126HB
	49		A755-24-A2-10					Clamp (Adel)		2		04-A	128
	50		87-730-1010-2					Tube	C - up	1		01-C	126HB
51		755-24-2-8					Clamp	(1065-D-24)	2		04-A	128	
FIG. NO.	INDEX NO.	STOCKED	GROUP - POWER PLANT						UNITS PER ASSY	PROPERTY CLASSIFICATION			
			MAJOR ASSEMBLY - ENGINE INSTALLATION							U.S. NAVY	U.S. ARMY	BRITISH	
			PART NUMBER	1	2	3	4	5					6
66			87-41-702-20					Engine Installation	A - B	1		01-C	126HB
			87-410-1500					Engine Installation	C - D	1		01-C	126HB
			87-410-1000					Engine Installation	E - F	1		01-C	126HB
			87-410-1000-10					Engine Installation	H - L	1		01-C	126HB
			87-410-1001					Engine Installation	P - up	1		01-C	126HB
	1		V-1710-81					Allison Engine	G.F.E. A - L	1		02-A	135
	2		V-1710-99					Allison Engine	G.F.E. P - up	1		02-A	135
	3		87-81-530-3 1/2-23					Tube		2		01-C	126HB
	4		FBA-90					Clamp	A - B	4		04-A	128
	5		FBA-92					Clamp	C - D	4		04-A	128
	6		QS-100M-56					Clamp	H - up	4		04-A	126HB
	7		87-51-734					Plate Assembly		1		01-C	126HB
	8		87-51-735					Eyebolt		2		01-C	126HB
	9		87-51-734-3					Spacer		2		01-C	126HB
	10		AN960-416					Washer		2		04-A	128
	11		AN350-4					Nut		2		04-A	128
	12		AN23-16					Bolt		2		04-A	128
	13		AN960-10					Washer		2		04-A	128
	14		AN320-3					Nut		2		04-A	128
	15		AN380-C2-2					Cotter Pin		2		29	128
	16		AN505-416-14					Screw		10		29	128
			87-48-712L					Exhaust Shroud	A-B - H-L	1		01-C	126HB
	17		87-48-712R					Exhaust Shroud	A-B - H-L	1		01-C	126HB
			87-48-712-100L					Exhaust Shroud	C-D	1		01-C	126HB
	18		87-48-712-100R					Exhaust Shroud	C-D	1		01-C	126HB
			87-450-1013L					Exhaust Shroud	P - up	1		01-C	126HB
	19		87-450-1013R					Exhaust Shroud	P - up	1		01-C	126HB
			87-48-524L					Exhaust Stack Assembly		6		01-C	126HB
	20		87-48-524R					Exhaust Stack Assembly		6		01-C	126HB
	21		87-43-701					Starter Assembly	A-B - H-L	1		01-C	126HB
	22		87-411-1000					Starter Assembly	C-D - P-up	1		01-C	126HB
	23		87-43-512					Support		1		01-C	126HB
	24		AN960-516					Washer		3		04-A	128
25		365-524					Nut		3		04-A	128	
26		87-43-729					Starter Pull Assembly	A-B - H-L	1		01-C	126HB	
27		87-43-521					Pull Assembly	C-D - P-up	1		01-C	126HB	
28		87-554-1020					Switch Installation	C-D - P-up	1		01-C	126HB	
29		87-554-1021					Bracket		1		01-C	126HB	
30		87-554-1022					Arm		1		01-C	126HB	
31		87-554-1023					Box Assembly		1		01-C	126HB	
32		87-41-514					Bolt		16		01-C	126HB	
33		AN960-716					Washer		16		04-A	128	

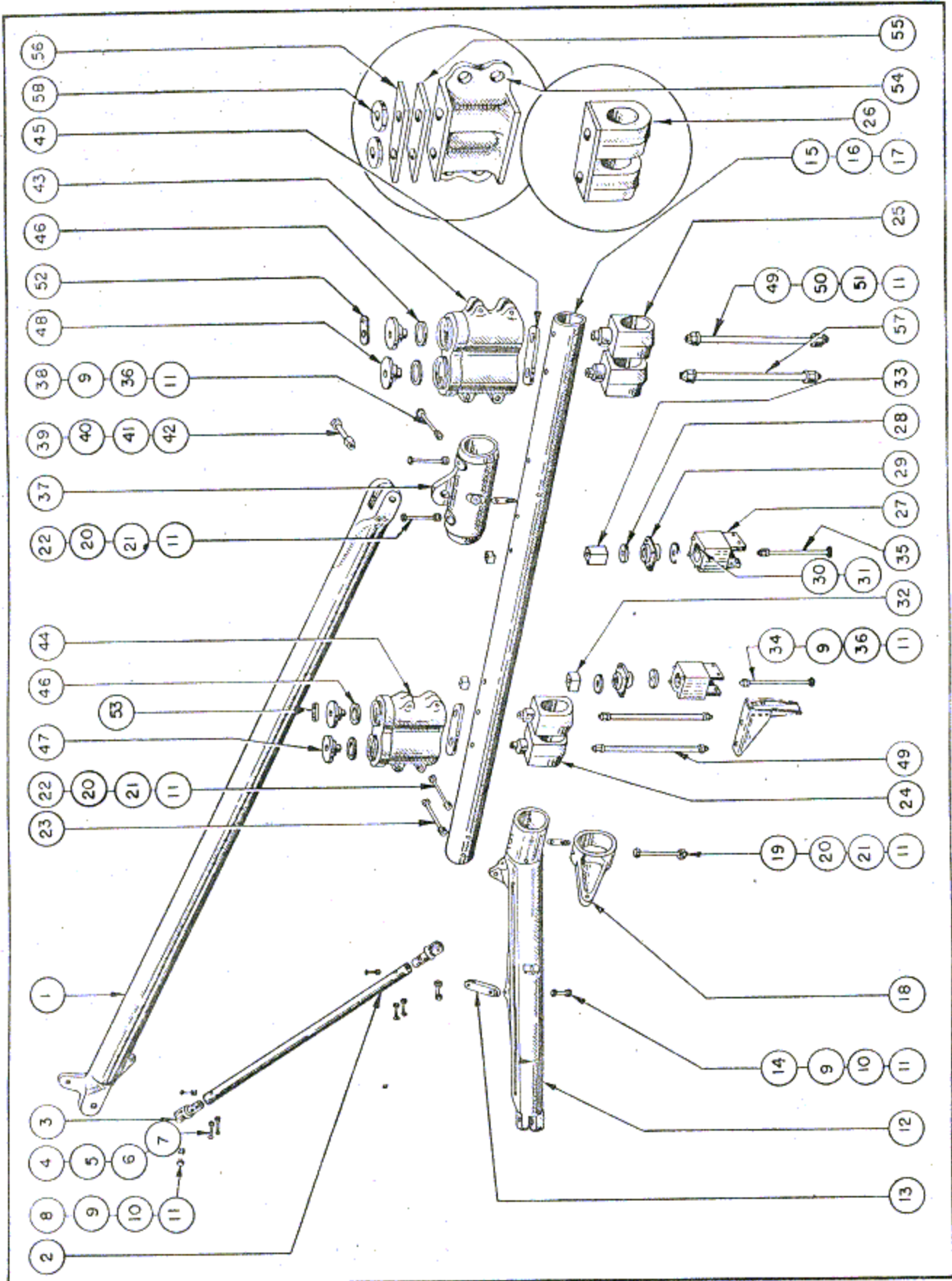


Figure 67—Engine Mount Installation

RESTRICTED
T. O. No. 01-25C-4

SECTION II—GROUP ASSEMBLY PARTS LISTS

FIG. NO.	INDEX NO.	SYMBOL	GROUP - POWER PLANT						UNITS PER ASSY	PROPERTY CLASSIFICATION		
			MAJOR ASSEMBLY - ENGINE INSTALLATION (Cont.)							U.S. NAVY	U.S. ARMY	BRITISH
			PART NUMBER	1	2	3	4	5				
66	34		87-42-540						1		01-C	126HB
	35		87-42-531					Spinner Assembly	1		01-C	126HB
	36		AN5-6A					Bulkhead	1		01-C	126HB
	37		AN960-D516					Bolt	9		04-A	128
	25		365-524					Washer	9		04-A	128
	38		AN526C-1032-8					Nut	9		04-A	128
	39		AN960-10L					Screw	18		29	128
	40		87-42-540-2					Washer	18		04-A	128
	41		87-42-540-8					Aft. Assembly	1		01-C	126HB
	42		1101-DS-8					Cover	3		01-C	126HB
	43		87-42-537					Screw	30		01-C	126HB
	44		87-42-535					Bulkhead	1		01-C	126HB
	45		87-42-027					Bulkhead	1		01-C	126HB
	46		AN7-16					Washer	3		01-C	126HB
	33		AN960-716					Bolt	3		04-C	128
	47		AN310-7					Washer	3		04-C	128
	48		AN380-C3-3					Nut	3		04-C	128
	49		501A-10-10					Cotter Pin	3		29	128
	50		AN960-A10					Screw	3		29	128
	51		87-42-540-1					Washer	3		04-A	128
	52		87-42-528					Nose Assembly	1		01-C	126HB
	53		87-42-526					Dowel	2		01-C	126HB
	54		AN960-616					Stud	3		01-C	126HB
	55		365-624					Washer	3		04-A	128
								Nut	3		04-A	128

FIG. NO.	INDEX NO.	SYMBOL	GROUP - POWER PLANT						UNITS PER ASSY	PROPERTY CLASSIFICATION		
			MAJOR ASSEMBLY - ENGINE MOUNT							U.S. NAVY	U.S. ARMY	BRITISH
			PART NUMBER	1	2	3	4	5				
67			87-21-405					Fuselage Assembly			01-C	126HB
			87-210-1501					Fuselage Assembly			01-C	126HB
			87-210-1001					Fuselage Assembly			01-C	126HB
			87-210-1001-100					Fuselage Assembly			01-C	126HB
			87-210-1001-150					Fuselage Assembly			01-C	126HB
			87-22-702					Mount Installation	1		01-C	126HB
			87-710-1000					Mount Installation	1		01-C	126HB
			87-22-512L					Tube Assembly	1		01-C	126HB
1			87-22-512R					Tube Assembly	1		01-C	126HB
2			87-22-518					Tube Assembly	2		01-C	126HB
3			87-22-519					Clevis	2		01-C	126HB
4			AN23-21					Bolt	6		04-A	128
5			AN960-10					Washer	6		04-A	128
6			AN320-3					Nut	6		04-A	128
7			AN380-2-2					Cotter Pin	6		29	128
8			87-22-034-7					Bolt	2		01-C	126HB
9			AN960-616					Washer	2		04-A	128
10			AN320-6					Nut	2		04-A	128
11			AN380-C3-3					Cotter Pin	2		29	128
12			87-22-521-1					Truss	1		01-C	126HB
13			87-22-521-3					Truss	1		01-C	126HB
14			87-22-517					Link	2		01-C	126HB
15			87-22-034-6					Bolt	2		01-C	126HB
9			AN960-616					Washer	2		04-A	128
10			AN320-6					Nut	2		04-A	128
11			AN380-C3-3					Cotter Pin	2		29	128
			87-22-531L					Bearer Tube Assembly	1		01-C	126HB
			87-22-531R					Bearer Tube Assembly	1		01-C	126HB

RESTRICTED

RESTRICTED
T. O. No. 01-25C-4
SECTION II—GROUP ASSEMBLY PARTS LISTS

FIG. NO.	INDEX NO.	STOCKED	GROUP - POWER PLANT						UNITS PER ASSY	PROPERTY CLASSIFICATION				
			MAJOR ASSEMBLY - ENGINE MOUNT (Cont.)							U.S. NAVY	U.S. ARMY	BRITISH		
			PART NUMBER	1	2	3	4	5					6	NOMENCLATURE
67	54		87-710-1012					Fitting	D - up	4		01-C	126HB	
	55		87-710-1013					Snubber	D - up	8		01-C	126HB	
	56		87-710-1014					Plate	D - up	4		01-C	126HB	
	57		87-22-717-3					Stud	D - up	8		01-C	126HB	
	58		1075-DT-188-515											
				-2.125					Washer	D - up	8		01-C	126HB
	50		AN960-816						Washer	D - up	16		04-A	128
	51		AN310-8						Nut	D - up	16		04-A	128
11		AN380-C3-3						Cotter Pin	D - up	16		29	128	
FIG. NO.	INDEX NO.	STOCKED	GROUP - POWER PLANT						UNITS PER ASSY	PROPERTY CLASSIFICATION				
			MAJOR ASSEMBLY - COWL FLAP CONTROLS							U.S. NAVY	U.S. ARMY	BRITISH		
			PART NUMBER	1	2	3	4	5					6	NOMENCLATURE
68			87-29-520					Installation Cowl	Flap Controls A - up	1		01-C	126HB	
	1		87-29-523					Bracket		1		01-C	126HB	
	2		AN3-11A					Bolt		3		04-A	128	
	3		AN960-10					Washer		3		04-A	128	
	4		365-1032					Nut		3		04-A	128	
	5		AN4-10					Bolt		2		04-A	128	
	6		AN960-416					Washer		2		04-A	128	
	7		365-428					Nut		2		04-A	128	
	8		87-29-524					Lever Assembly		1		01-C	126HB	
	9		87-29-022					Shaft		1		01-C	126HB	
	10		AN393-49					Pin		2		04-A	128	
	11		AN380-2-2					Cotter Pin		2		29	128	
	12		AN4-13					Bolt		2		04-A	128	
	6		AN960-416					Washer		2		04-A	128	
	13		AN310-4					Nut		2		04-A	128	
	14		AN380-2-3					Cotter Pin		2		29	128	
	15		87-29-031					Rod Assembly		1		01-C	126HB	
			87-29-031-1					Weld Assembly		1		01-C	126HB	
	16		RE4F5					Bearing (Fafnir)		2		04-A	126HB	
	17		AN316-5R					Nut		2		04-A	128	
	12		AN4-13					Bolt		1		04-A	128	
	6		AN960-416					Washer		1		04-A	128	
	13		AN310-4					Nut		1		04-A	128	
	14		AN380-2-3					Cotter Pin		1		29	128	
	18		87-29-135					Bellows Assembly		1		01-C	126HB	
	19		AN520-10-10					Screw		3		29	128	
	20		AN520-10-12					Screw		1		29	128	
	3		AN960-10					Washer		4		04-A	128	
	21		87-29-517					Bracket		1		01-C	126HB	
	22		87-29-531					Rack Assembly		1		01-C	126HB	
	23		AN4-12					Bolt		2		04-A	128	
	6		AN960-416					Washer		4		04-A	128	
13		AN310-4					Nut		2		04-A	128		
14		AN380-2-3					Cotter Pin		2		29	128		
24		87-29-119-1					Indicator Assembly		1		01-C	126HB		
25		AN520-D10-10					Screw		1		29	128		
26		AN960-D10					Washer		1		04-A	128		
27		365-D1032					Nut		1		04-A	128		
							Control Lever Assembly		1		01-C	126HB		
28		87-29-030					Lever		1		01-C	126HB		
29		87-29-029					Bell Crank		1		01-C	126HB		
30		AN3-12					Bolt		1		04-A	128		
31		940-9					Washer		1		29	128		
4		365-1032					Nut		1		04-A	128		
32		87-29-040					Spring		1		01-C	126HB		

RESTRICTED

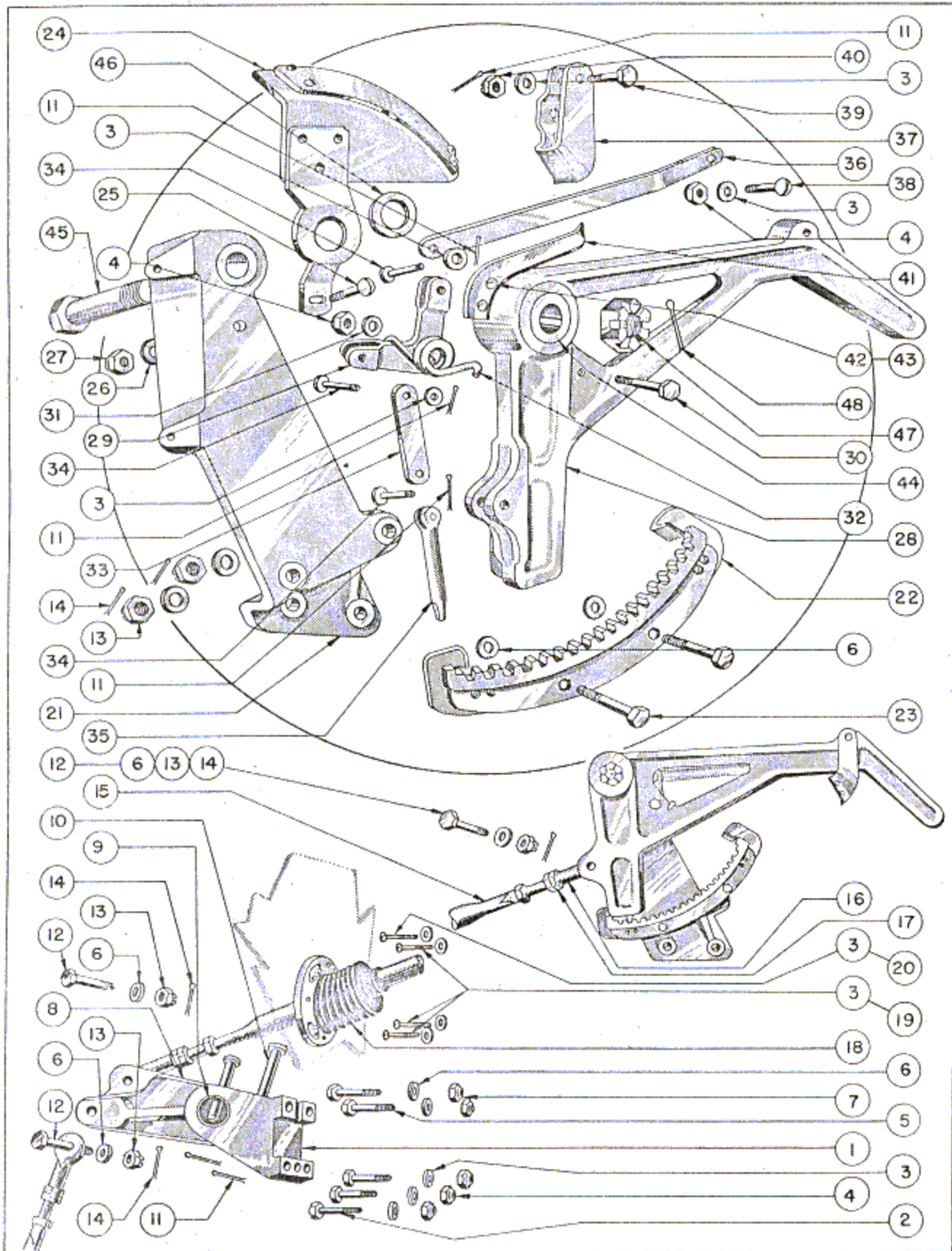


Figure 68—Cowl Flap Controls

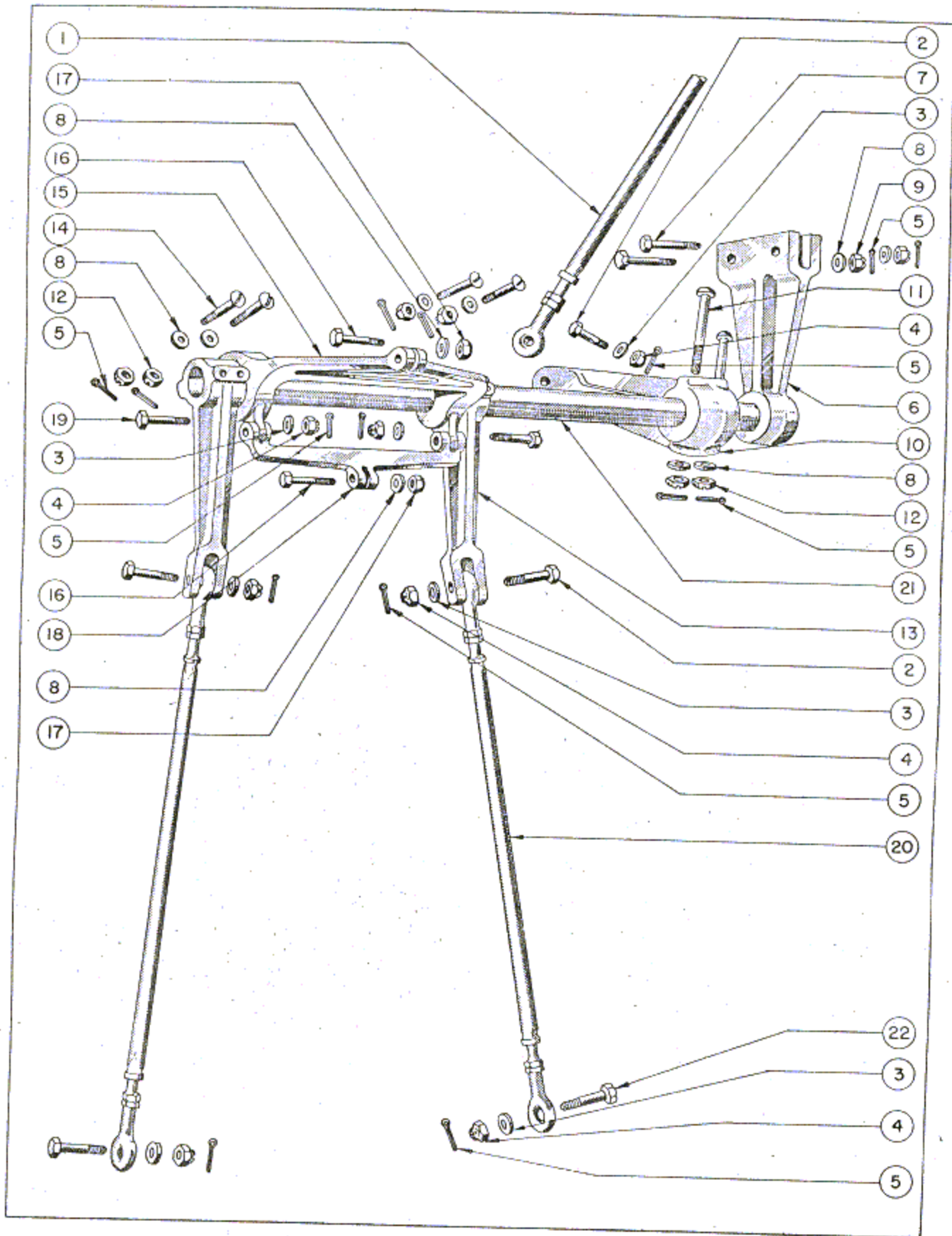


Figure 69—Cowl Flap Controls

SECTION II—GROUP ASSEMBLY PARTS LISTS

FIG. NO.	INDEX NO.	STOCKED	GROUP - POWER PLANT						UNITS PER ASSY	PROPERTY CLASSIFICATION			
			MAJOR ASSEMBLY - INSTALLATION COWL FLAP CONTROLS (Cont.)							U.S. NAVY	U.S. ARMY	BRITISH	
			PART NUMBER	1	2	3	4	5					6
69	3		AN960-416						2		04-A	128	
	4		AN310-4						2		04-A	128	
	5		AN380-2-3						2		29	128	
	16		AN5-11						1		04-A	128	
	8		AN960-516						1		04-A	128	
	17		365-524						1		04-A	128	
	20		1081-D-2B-15.500						2		01-C	126HB	
	2		AN4-13						2		04-A	128	
	3		AN960-416						2		04-A	128	
	4		AN310-4						2		04-A	128	
	5		AN380-2-3						2		29	128	
	21		87-29-528						1		01-C	126HB	
	22		AN4-22						2		04-A	128	
	3		AN960-416						2		04-A	128	
	4		AN310-4						2		04-A	128	
	5		AN380-2-3						2		29	128	
	70			87-52-702-1									01-C
			87-460-1000									01-C	126HB
1			87-460-1001									01-C	126HB
2			87-52-520						1		01-C	126HB	
3			87-52-736						3		04-A	128	
4			AN4-6						3		04-A	128	
5			AN960-416						3		04-A	128	
6			AN310-4						3		29	128	
7			AN380-C2-2						1		01-C	126HB	
8			87-42-022						1		01-C	126HB	
9			87-52-516						1		04-A	128	
10			AN3-11						1		04-A	128	
11			AN960-10L						1		04-A	128	
12			AN960-10						1		04-A	128	
13			AN310-3						1		04-A	128	
6			AN380-C2-2						1		29	128	
14			1057-D65-2.185						1		01-C	126HB	
15			-1.844						1		04-A	128	
16			AN960-516						1		04-A	128	
17			AN310-5						1		04-A	128	
6			AN380-C2-2						1		29	128	
18			87-960-1040						1		01-C	126HB	
19			1057-D118-2.125						1		01-C	126HB	
20		-2.125						1		04-A	128		
21		AN5-11						1		04-A	128		
14		AN960-516						1		04-A	128		
15		AN310-5						1		04-A	128		
6		AN380-C2-2						1		29	128		
19		10780-1-2B-5.125						1		01-C	126HB		
20		87-52-724						1		01-C	126HB		
21		AN3-10						4		04-A	128		
11		AN960-10						4		04-A	128		
12		AN310-3						4		04-A	128		
6		AN380-C2-2						4		29	128		
22		87-52-514						1		01-C	126HB		
23		AN3-6A						4		04-A	128		

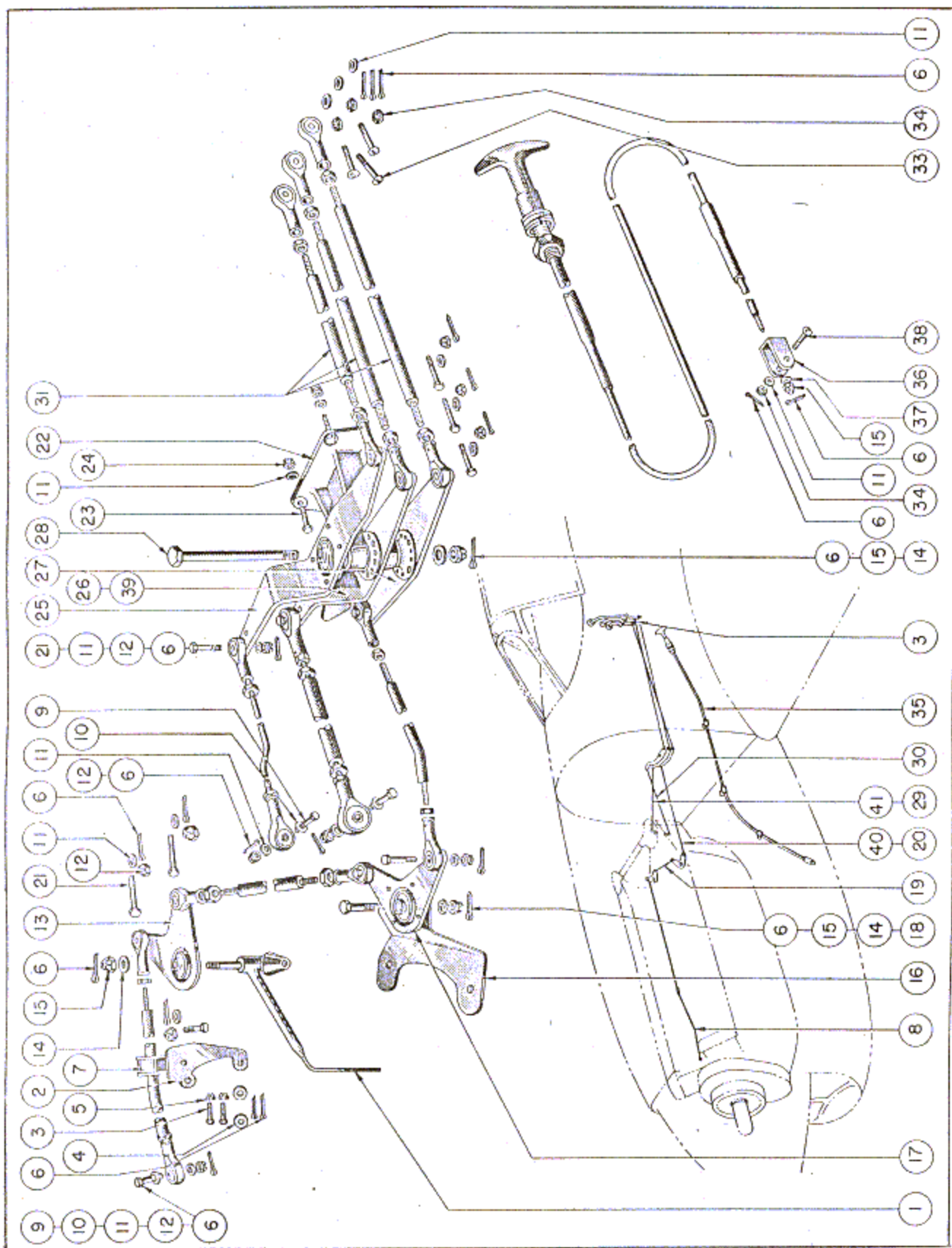


Figure 70—Engine Controls

RESTRICTED
T. O. No. 01-25C-4
SECTION II—GROUP ASSEMBLY PARTS LISTS

FIG. NO.	INDEX NO.	STOCKED	GROUP - POWER PLANT						UNITS PER ASSY	PROPERTY CLASSIFICATION			
			MAJOR ASSEMBLY - ENGINE CONTROLS (Cont.)							U.S. NAVY	U.S. ARMY	BRITISH	
			PART NUMBER	1	2	3	4	5					6
70	11		AN960-10						Washer		4	04-A	128
	24		365-1032						Nut		4	04-A	128
	25		87-52-721						Lever Assembly		1	01-C	126HB
	26		87-52-722						Lever Assembly	A - B	1	01-C	126HB
	27		1057-D180-3.125 -2.563						Bell Crank	A - L	1	01-C	126HB
	28		AN5-35						Bolt		1	04-A	128
	14		AN960-516						Washer		1	04-A	128
	15		AN310-5						Nut		1	04-A	128
	6		AN380-C2-2						Cotter Pin		1	29	128
	29		1078-D-1-2B-6.500						Rod Assembly	A - L	1	01-C	126HB
	30		87-52-727						Rod Assembly		1	01-C	126HB
	9		AN3-11						Bolt		2	04-A	128
	10		AN960-10L						Washer		2	04-A	128
	11		AN960-10						Washer		2	04-A	128
	12		AN310-3						Nut		2	04-A	128
	6		AN380-C2-2						Cotter Pin		2	29	128
	31		1078-D-1-2B -35.437-4						Rod Assembly	A - L	3	01-C	126HB
	21		AN3-10						Bolt		6	04-A	128
	11		AN960-10						Washer		6	04-A	128
	12		AN310-3						Nut		6	04-A	128
	6		AN380-C2-2						Cotter Pin		6	29	128
	33		AN23-14						Bolt		3	04-A	128
	11		AN960-10						Washer		3	04-A	128
	34		AN320-3						Nut		3	04-A	128
	6		AN380-C2-2						Cotter Pin		3	29	128
	35		87-50-740						Control Assembly	A - B	1	01-C	126HB
	36		87-52-543-1						Clevis	A - B	1	01-C	126HB
	37		1075-DG-.063-.250 -.4375						Washer	A - B	1	01-C	126HB
	15		AN310-5						Nut	A - B	1	04-A	128
	6		AN380-C2-2						Cotter Pin	A - B	1	29	128
	38		AN23-15						Bolt	A - B	1	04-A	128
	11		AN960-10						Washer	A - B	1	04-A	128
	34		AN320-3						Nut	A - B	1	04-A	128
	6		AN380-C2-2						Cotter Pin	A - B	1	29	128
	39		87-460-1031						Lever Assembly	C - up	1	01-C	126HB
	40		1078-D-1-2B-8.375						Rod Assembly	P - up	1	01-C	126HB
	31		1078-D-1-2B -35.437-4						Rod Assembly	P - up	3	01-C	126HB
	41		87-460-1036						Rod Assembly	P - up	1	01-C	126HB

FIG. NO.	INDEX NO.	STOCKED	GROUP - POWER PLANT						UNITS PER ASSY	PROPERTY CLASSIFICATION			
			MAJOR ASSEMBLY - ENGINE CONTROLS							U.S. NAVY	U.S. ARMY	BRITISH	
			PART NUMBER	1	2	3	4	5					6
71			87-52-702						Engine Controls	A - B	1	01-C	126HB
			87-460-1000					Engine Controls	C - up				
			104243					Engine Control	Type B-21 Special 87-52-735				
	1		0150803					Mounting Plate			2	03-J	126HB
	2		AN526-1032-12					Screw			4	29	128
	3		AN960-10					Washer			4	04-A	128
4		113754-128					Spacer			1	03-J	126HB	
5		113754-138					Spacer			1	03-J	126HB	
6		0150798					Guide			3	03-J	126HB	

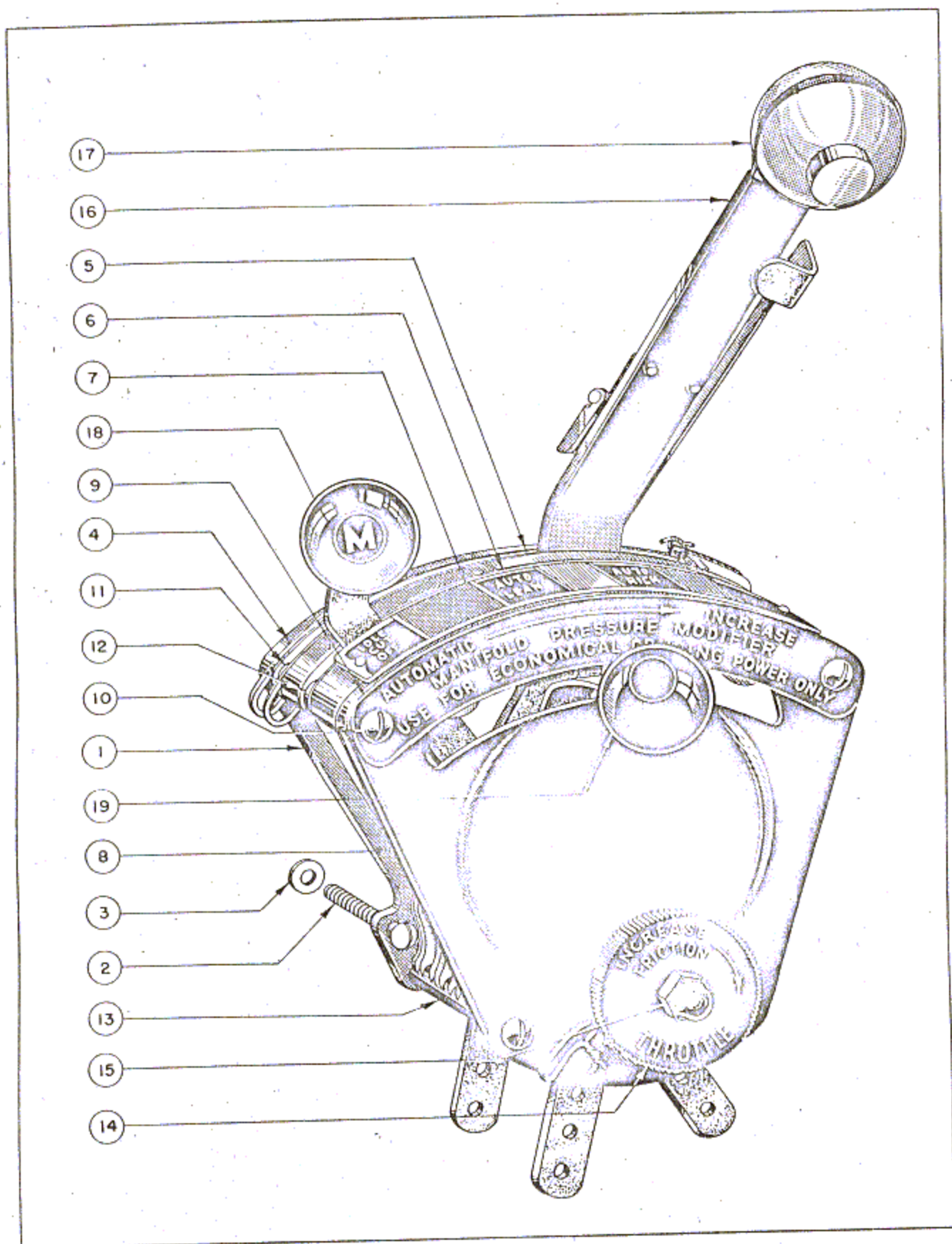


Figure 71—Engine Controls

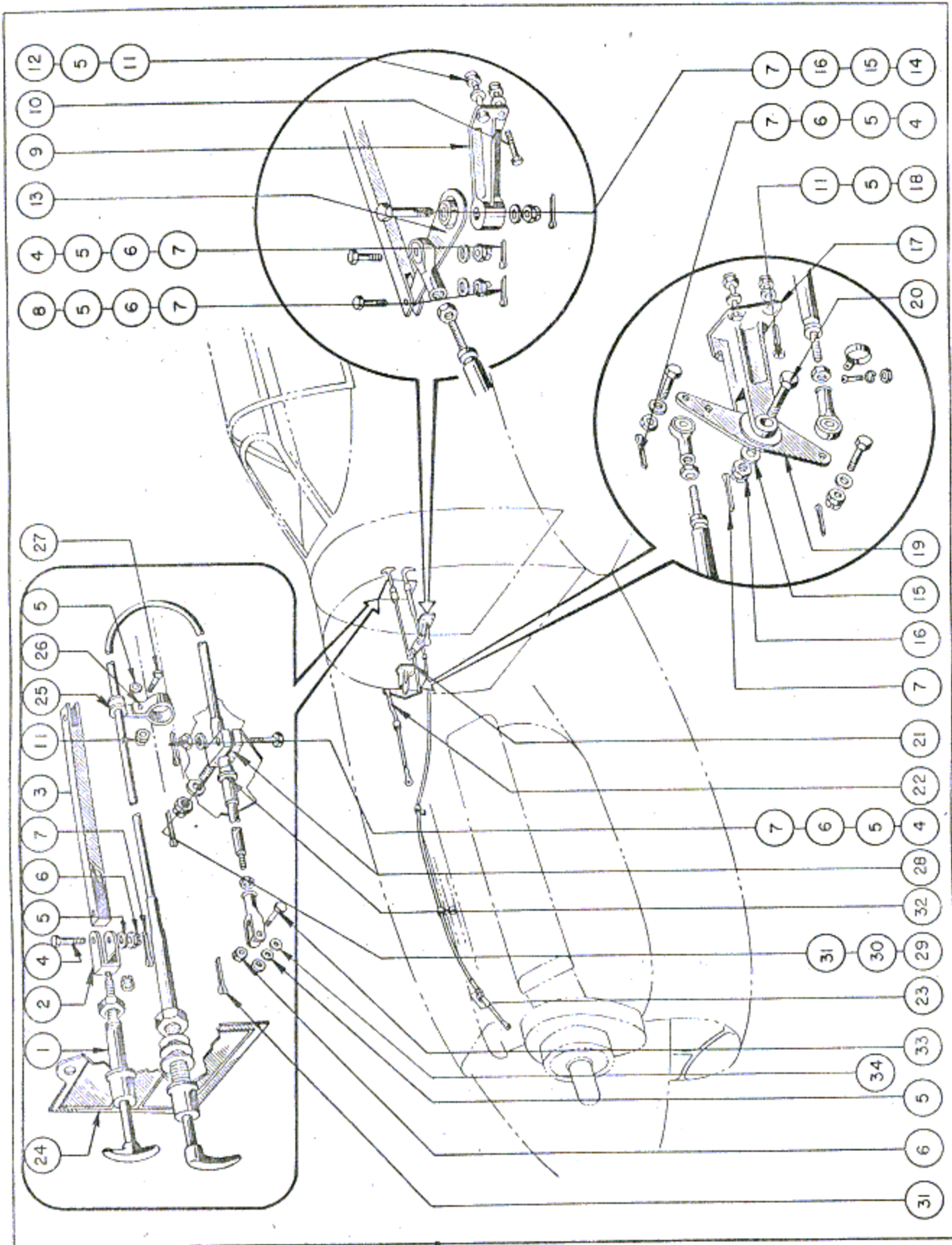


Figure 72—Carburetor Air Heat Controls

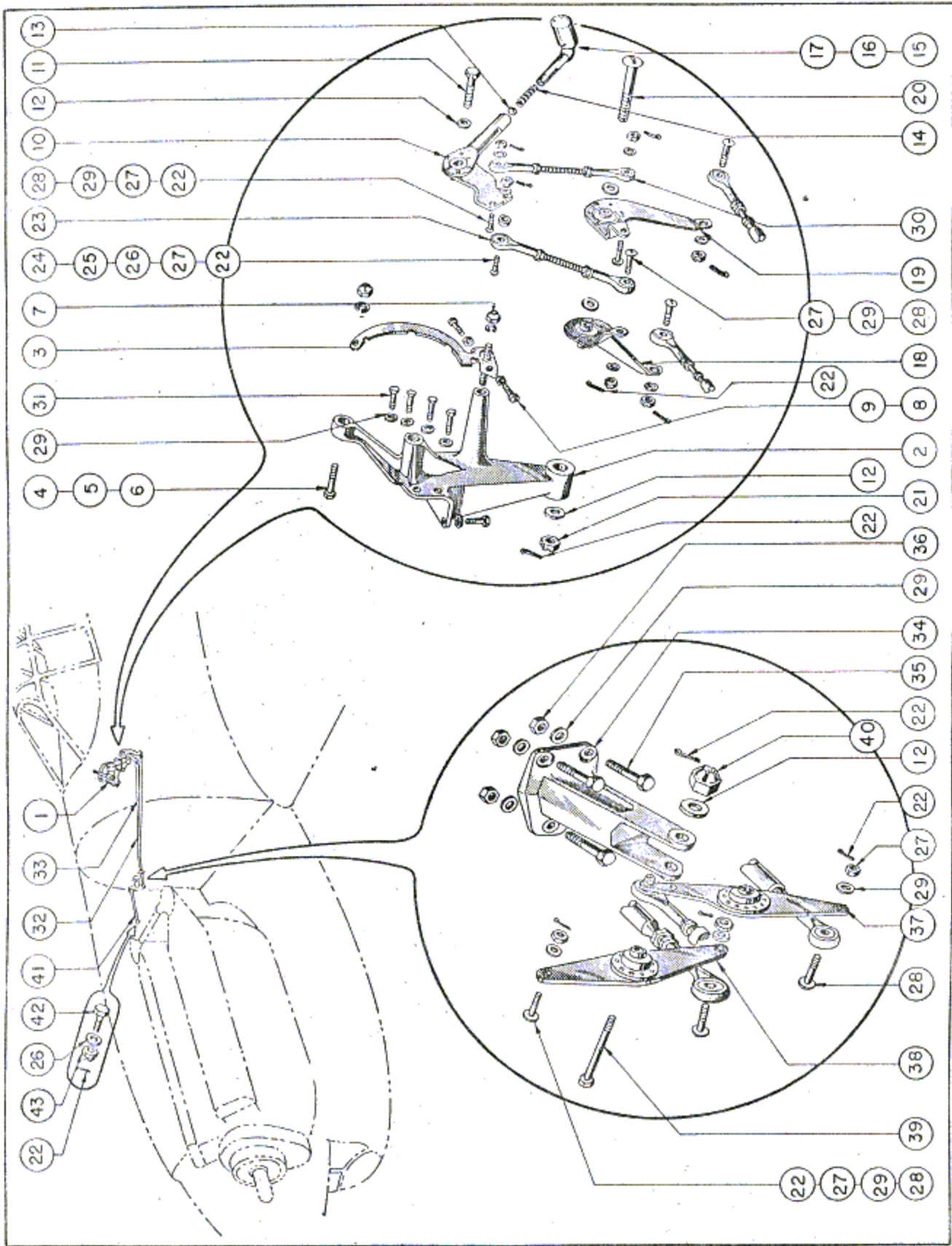


Figure 73—Carburetor Air Heat Controls

RESTRICTED
T. O. No. 01-25C-4
SECTION II—GROUP ASSEMBLY PARTS LISTS

FIG. NO.	INDEX NO.	STOCK KEY	GROUP - POWER PLANT						UNITS PER ASSY	PROPERTY CLASSIFICATION						
			MAJOR ASSEMBLY - CARBURETOR AIR HEAT CONTROLS (Cont.)							U.S. NAVY	U.S. ARMY	BRITISH				
			PART NUMBER	1	2	3	4	5					6	NOMENCLATURE		
73	23		1077-D-2B-2.16							1		01-C	126HB			
	24		AN23-17							1		04-A	128			
	25		1026-D-.375-.156							1		01-C	126HB			
	26		AN960-10L							1		04-A	128			
	27		AN320-3							1		04-A	128			
	22		AN380-C2-2							1		29	128			
	28		AN23-15							1		04-A	128			
	29		AN960-10							1		04-A	128			
	27		AN320-3							1		01-A	128			
	22		AN380-C2-2							1		29	128			
	28		AN23-15							1		04-A	128			
	29		AN960-10							1		04-A	128			
	27		AN320-3							1		04-A	128			
	22		AN380-C2-2							1		29	128			
	30		1077-D-2B-1.84							1		01-C	126HB			
	28		AN23-15							1		04-A	128			
	29		AN960-10							2		04-A	128			
	27		AN320-3							2		04-A	128			
	22		AN380-C2-2							2		04-A	128			
	31		AN73-6							6		04-A	128			
	29		AN960-10							6		04-A	128			
	32		87-460-1028							1		01-C	126HB			
	33		87-460-1027							1		01-C	126HB			
	28		AN23-15							4		04-A	128			
	29		AN960-10							4		04-A	128			
	27		AN320-3							4		04-A	128			
	22		AN380-C2-2							4		29	128			
	34		87-52-517							1		01-C	126HB			
	35		AN3-6							3		04-A	128			
	29		AN960-10							3		04-A	128			
	36		365-1032							3		04-A	128			
	37		87-460-1039							1		01-C	126HB			
	38		87-460-1026							1		01-C	126HB			
	39		AN5-22							1		04-A	128			
	12		AN960-516							1		04-A	128			
	40		AN310-5							1		04-A	128			
	22		AN380-C2-2							1		29	128			
	28		AN23-15							2		04-A	128			
	29		AN960-10							2		04-A	128			
	27		AN320-3							2		04-A	128			
22		AN380-C2-2							2		29	128				
41		87-52-710							1		01-C	126HB				
42		AN3-10							1		04-A	128				
26		AN960-10L							1		04-A	128				
43		AN310-3							1		04-A	128				
22		AN380-C2-2							1		29	128				
74			GROUP - POWER PLANT						UNITS PER ASSY	PROPERTY CLASSIFICATION						
			MAJOR ASSEMBLY - BREATHER AND VENT SYSTEM							U.S. NAVY	U.S. ARMY	BRITISH				
			PART NUMBER	1	2	3	4	5					6	NOMENCLATURE		
	1		87-46-724									Breather and Vent Installation A - B	1		01-C	126HB
	2		87-46-724-43									Tube	1		01-C	126HB
	3		851-16									Elbow	1		04-A	128
	4		884-16-14									Hose	4		04-B	128
5		AN746-8								Clamp	2		04-A	128		
6		755-16-2-8								Clamp	2		04-A	128		
		755-28-2-8								Clamp	1		04-A	128		
										(1065-D-16)						
										(1065-D-26)						

RESTRICTED

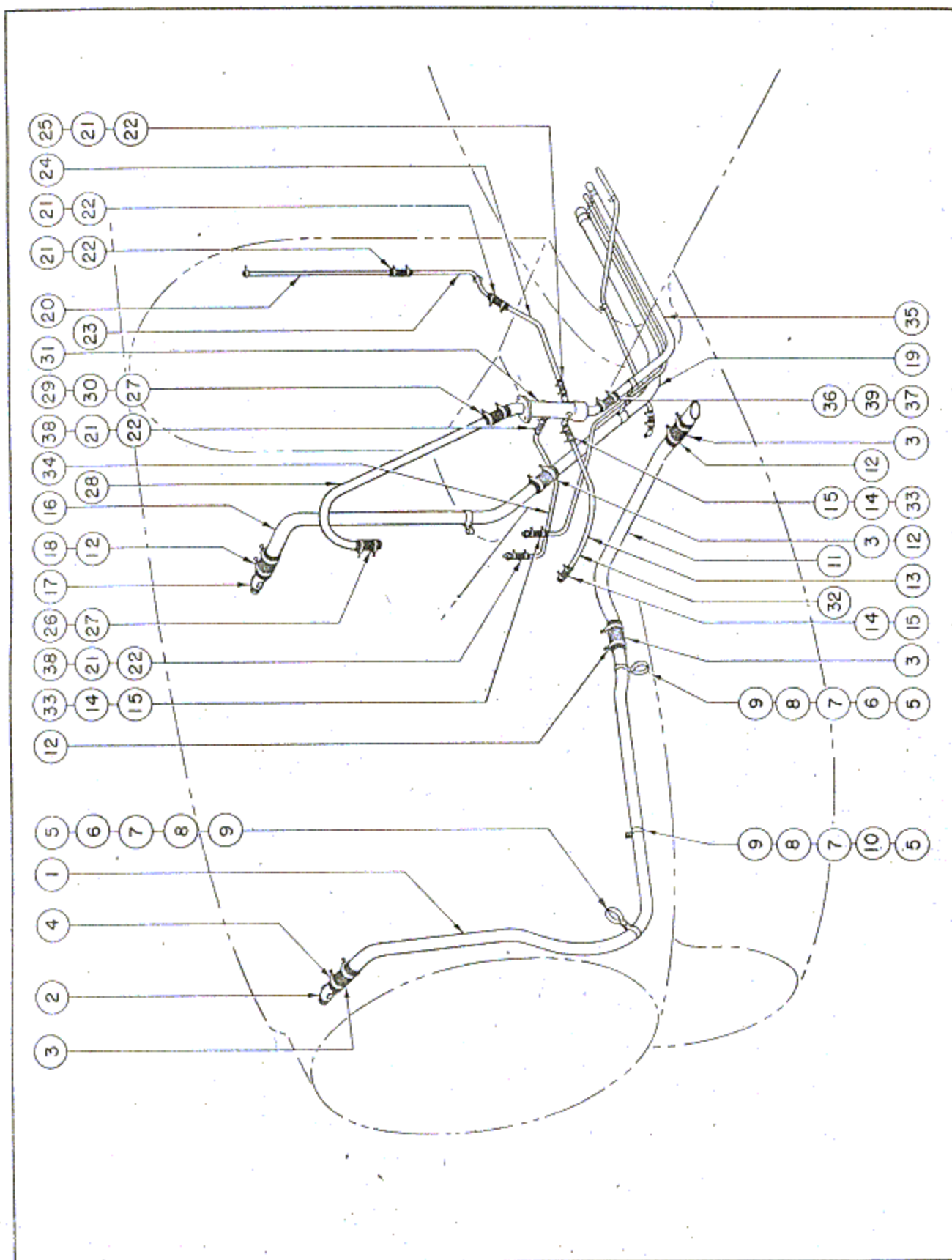


Figure 74—Breather and Vent System

RESTRICTED
T. O. No. 01-25C-4
SECTION II—GROUP ASSEMBLY PARTS LISTS

FIG. NO.	INDEX NO.	STOCK NUMBER	GROUP - POWER PLANT						UNITS PER ASSY	PROPERTY CLASSIFICATION		
			MAJOR ASSEMBLY - BREATHER AND VENT SYSTEM (Cont.)							U.S. NAVY	U.S. ARMY	BRITISH
			PART NUMBER	1	2	3	4	5				
74	7		AN520-10-10									
	8		AN960-D10						4		29	128
	9		365-1032						7		04-A	128
	10		755-24-2-8						7		04-A	128
	11		87-46-724-42						1		04-A	128
	12		FBA-16						1		01-C	126HB
	13		87-46-724-16						10		04-A	128
	14		884-4-10						1		01-C	126HB
	15		FBA-2						4		01-C	132C
	16		87-46-724-11						13		04-A	128
	17		851-16						1		01-C	126HB
	18		884-16-12						1		04-A	128
	19		87-46-724-12						1		04-B	132C
	20		87-46-724-37						1		01-C	126HB
	21		884-6-10						1		01-C	126HB
	22		FBA-4						6		04-B	132C
	23		87-46-724-38						12		04-A	128
	24		87-46-724-39						1		01-C	126HB
	25		850-6						1		01-C	126HP
	26		884-8-12						2		04-A	128
	27		FBA-8						2		04-B	132C
	28		87-46-724-1						4		04-A	128
	29		851-8						1		01-C	126HB
	30		884-8-12						1		04-A	128
	31		87-46-564						2		04-B	132C
	32		87-46-724-34						1		01-C	126HB
	33		835-4						2		01-C	126HB
	34		87-46-724-10						1		04-A	128
	35		87-46-724-31						1		01-C	126HB
	36		851-12						1		01-C	126HB
	37		FBA-10						1		04-A	128
	38		835-6						2		04-A	128
	39		884-12-12						2		04-A	128
									1		04-R	132C

FIG. NO.	INDEX NO.	STOCK NUMBER	GROUP - POWER PLANT						UNITS PER ASSY	PROPERTY CLASSIFICATION		
			MAJOR ASSEMBLY - BREATHER AND VENT SYSTEM							U.S. NAVY	U.S. ARMY	BRITISH
			PART NUMBER	1	2	3	4	5				
75			87-429-1001									
	1		884-16-14						1		01-C	126HB
	2		QS-100M-16						4		04-B	132C
	3		AN844-16						10		04-A	126HB
	4		87-429-1001-43						1		04-A	128
	5		755-16-2-8						1		01-C	126HB
	6		6001-28U						5		04-A	128
	7		530-10-10						1		04-A	126HB
	8		755-24-2-8						3		29	128
	9		AN520-10-10						1		04-A	128
	10		7001-28L						1		29	128
	11		87-429-1001-42						1		04-A	126HB
	12		884-4-10						1		01-C	126HB
	13		AN746						3		04-B	132C
	14		87-429-1001-16						17		04-A	128
	15		884-6-12						1		01-C	126HB
	16		87-429-1001-5						1		04-B	132C
17		7001-16L						1		01-C	126HB	

RESTRICTED

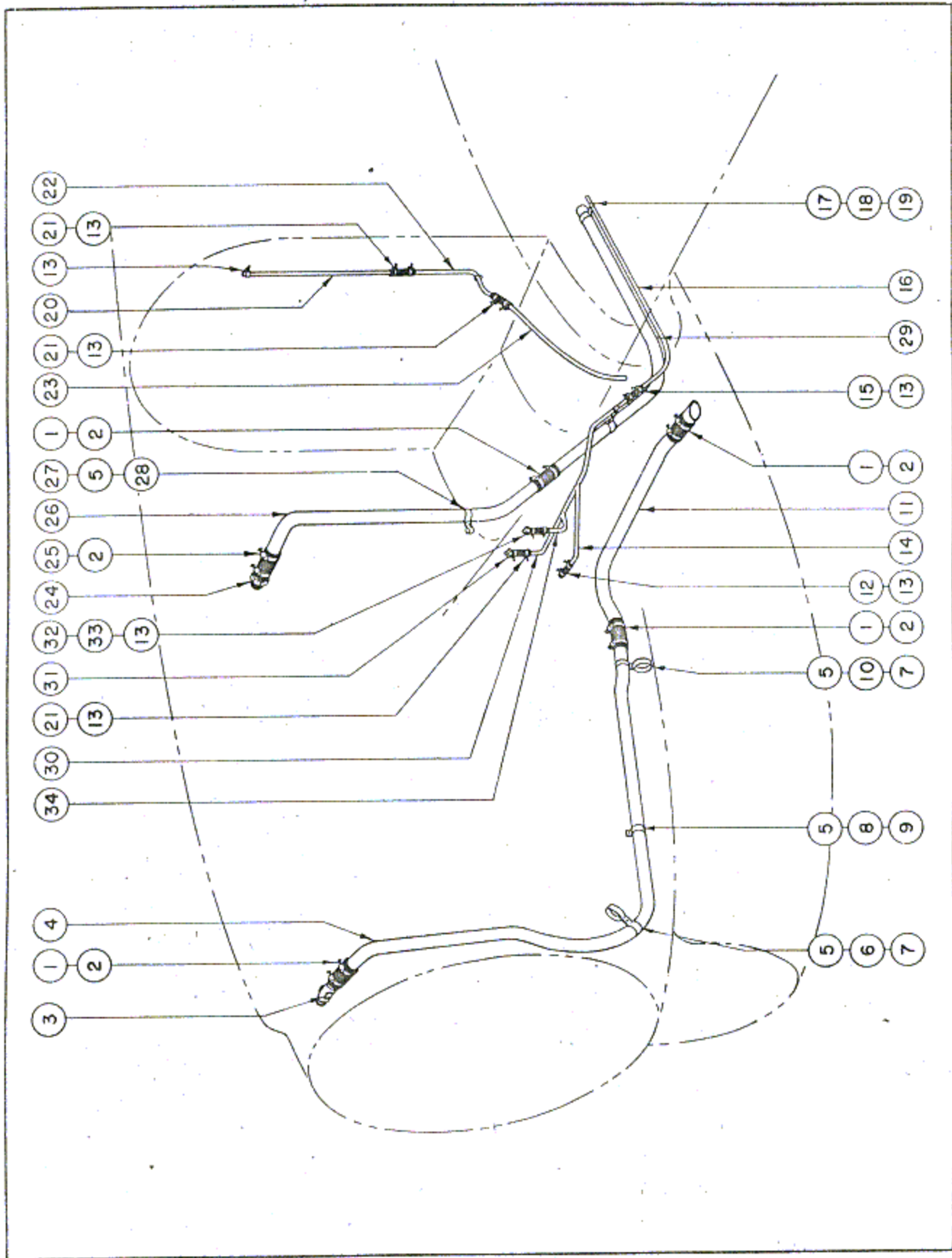


Figure 75—Breather and Vent System

RESTRICTED
T. O. No. 01-25C-4
SECTION II—GROUP ASSEMBLY PARTS LISTS

FIG. NO.	INDEX NO.	STOCK NO.	GROUP - POWER PLANT						UNITS PER ASSY	PROPERTY CLASSIFICATION				
			MAJOR ASSEMBLY - BREATHER AND VENT INSTALLATION (Cont.)							U.S. NAVY	U.S. ARMY	BRITISH		
			PART NUMBER	1	2	3	4	5					6	NOMENCLATURE
75	18		755-6-26			Clamp								
	19		530-8-16			Screw								
	20		87-429-1001-37			Tube								
	21		884-6-10			Hose								
	22		87-429-1001-38			Tube							04-E	132C
	23		87-429-1001-39			Tube							01-C	126HB
	24		AN840-16			Nipple							01-C	126HB
	25		884-16-12			Hose							04-A	128
	26		87-429-1001-44			Tube							04-B	132C
	27		6001-4U			Clamp							01-C	126HB
	28		530-8-10			Screw							04-A	126HB
	29		87-429-1001-12			Tube							29	128
	30		87-429-1001-10			Tube							01-C	126HB
	31		AN840-6D			Nipple							01-C	126HB
	32		AN840-4			Nipple							04-A	128
	33		884-4-12			Hose							04-A	128
	34		87-429-1001-34			Tube							04-B	132C
													01-C	126HB

FIG. NO.	INDEX NO.	STOCK NO.	GROUP - POWER PLANT						UNITS PER ASSY	PROPERTY CLASSIFICATION				
			MAJOR ASSEMBLY BREATHER AND VENT SYSTEM							U.S. NAVY	U.S. ARMY	BRITISH		
			PART NUMBER	1	2	3	4	5					6	NOMENCLATURE
76			87-50-703			Coolant System								
	1		87-50-502			Tank Assembly								A - B
	2		87-50-507-50			Armor Plate Installation								
	3		87-50-703-9			Tube								01-C
	4		850-10			Elbow								01-C
	5		884-10-11			Hose								04-A
	6		QS-100M-12			Clamp (Aero Seal)								04-B
	7		87-50-703-37			Tube								04-A
	8		884-8-12			Hose								01-C
	9		884-8-9			Hose								04-B
	10		AN746			Clamp								04-B
	11		755-16-2-8			Clamp								04-A
	12		755-8-28			Clamp								04-A
	13		AN520-10-10			Screw								04-A
	14		87-999-10			Star Washer								29
	15		AN960-10			Washer								01-C
	16		365-1032			Nut								04-A
	17		87-50-703-36			Tube								04-A
	18		836-8			Nipple								01-C
	19		884-8-14			Hose								01-A
	20		AN746			Clamp								01-B
	21		A755-A-8-2-8			Clamp								04-A
	22		87-50-703-22			Tube								04-A
	23		835-8			Nipple								01-C
	24		884-8-12			Hose								04-A
	25		884-8-9			Hose								04-B
	26		AN746			Clamp								01-B
	27		852-8			Elbow (90°)								04-A
	28		851-8			Elbow (45°)								04-A
	29		895-32			Tee								04-A
	30		87-50-703-31			Tube								04-A
	31		836-16			Nipple								01-C
	32		884-16-17			Hose								04-A
	33		884-16-16			Hose								04-B
	34		QS-100M-16			Clamp (Aero Seal)								04-A

RESTRICTED

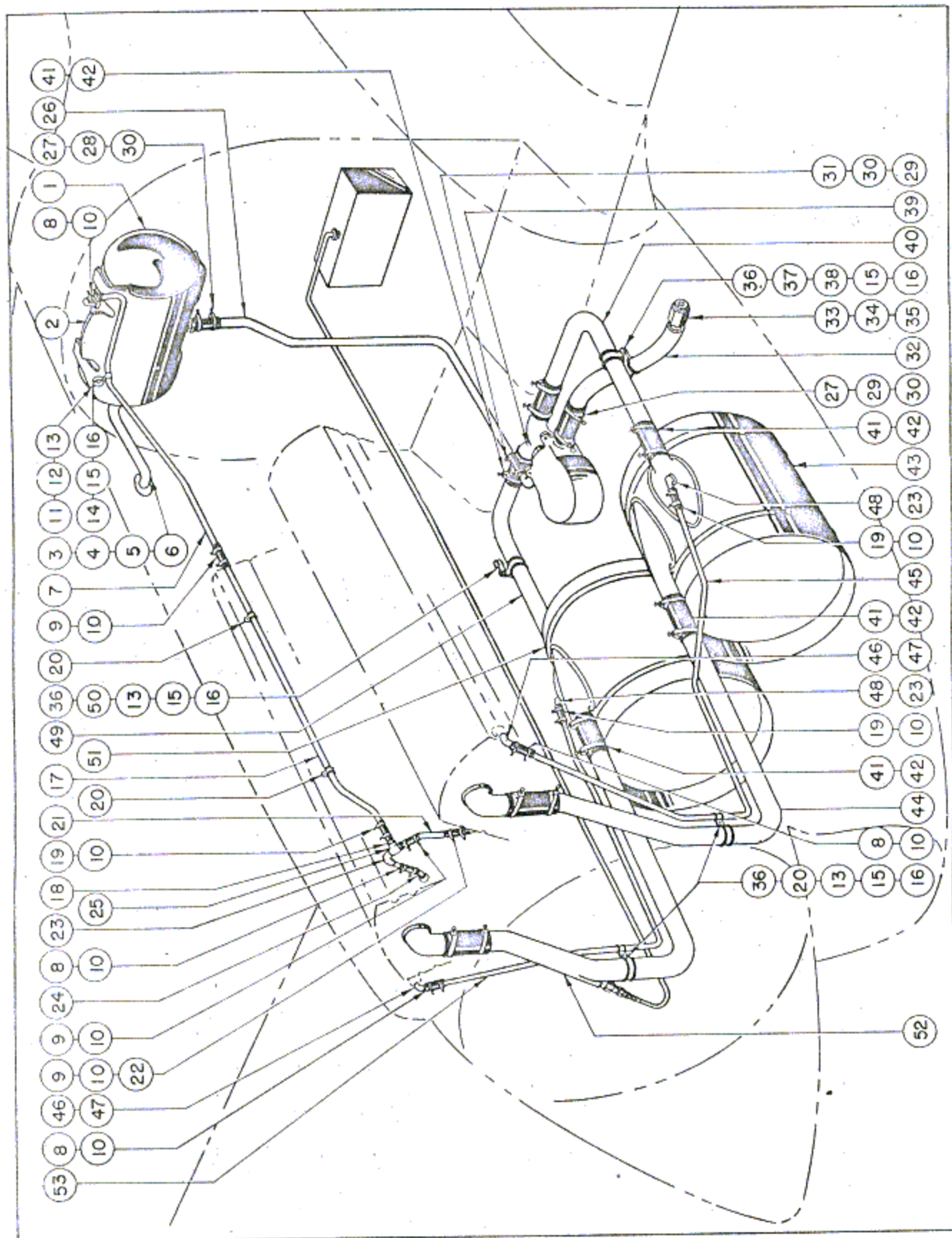


Figure 76—Coolant System

RESTRICTED
T. O. No. 01-25C-4
SECTION II—GROUP ASSEMBLY PARTS LISTS

FIG. NO.	INDEX NO.	STOCKED	GROUP - POWER PLANT						UNITS PER ASSY	PROPERTY CLASSIFICATION		
			MAJOR ASSEMBLY - COOLANT SYSTEM (Cont.)							U.S. NAVY	U.S. ARMY	BRITISH
			PART NUMBER	1	2	3	4	5				
76	31		895-5						1		04-A	128
	32		87-50-703-27					Elbow	1		01-C	126HB
	27		836-16					Weld Assembly	1		04-A	128
	29		884-16-16					Nipple	1		04-B	132C
	30		QS-100M-16					Hose	1		04-A	126HB
	33		87-50-068					Clamp (Aero Seal)	2		01-C	126HB
	34		AN900-12					Fitting	1		29	128
	35		967-12					Gasket	1		04-A	128
	36		A755A-28-2-8					Plug	1		04-A	128
	37		A755A-16-2-8					Clamp	1		04-A	128
	38		AN520-10-14					Clamp	1		04-A	128
	15		AN960-10					Screw	1		29	128
	16		365-1032					Washer	1		04-A	128
	39		87-50-521					Nut	1		01-C	126HB
	40		87-50-703-7					"Y" Drain	1		01-C	126HB
	41		884-28-20					Tube	1		04-A	128
	42		QS-100M-28					Hose	2		04-B	132C
	43		87-50-015L					Clamp (Aero Seal)	4		04-A	126HB
	44		87-50-703-19					Radiator	1		01-C	125B
	41		884-28-20					Tube Assembly	1		01-C	126HB
	42		QS-100M-28					Hose	2		04-B	132C
	36		A755A-28-2-8					Clamp (Aero Seal)	4		04-A	126HB
	20		A755A-8-2-8					Clamp	1		04-A	128
	13		AN520-10-10					Clamp	1		04-A	128
	15		AN960-10					Screw	1		29	128
	16		365-1032					Washer	1		04-A	128
	45		87-50-703-40					Nut	1		04-A	128
	46		895-3					Tube Assembly	1		01-C	126HB
	47		850-8					Fitting	1		04-A	128
	8		884-8-12					Elbow	1		04-A	128
	19		884-8-14					Hose	1		04-B	132C
	10		AN746					Hose	1		04-B	132C
	48		895-2					Clamp	4		04-A	128
	23		852-8					Fitting	1		04-A	128
	49		87-50-703-42					Elbow (90°)	1		04-A	128
	41		884-28-20					Tube	1		01-C	126HB
	42		QS-100M-28					Hose	2		04-B	132C
	36		A755A-28-2-8					Clamp (Aero Seal)	4		04-A	126HB
	50		A755A-10-2-8					Clamp	1		04-A	128
	13		AN520-10-10					Clamp	1		04-A	128
	15		AN960-10					Screw	1		29	128
	16		365-1032					Washer	1		04-A	128
	51		87-50-015R					Nut	1		04-A	128
	52		87-50-703-16					Radiator	1		01-C	125B
	41		884-28-20					Tube Assembly	1		01-C	126HB
	42		QS-100M-28					Hose	2		04-B	132C
	36		A755A-28-2-8					Clamp (Aero Seal)	4		04-A	126HB
	20		A755A-8-2-8					Clamp	1		04-A	128
	13		AN520-10-10					Clamp	1		04-A	128
	15		AN960-10					Screw	1		29	128
	16		365-1032					Washer	1		04-A	128
	53		87-50-703-38					Nut	1		04-A	128
	46		895-3					Tube Assembly	1		01-C	126HB
	47		850-8					Fitting	1		04-A	128
	8		884-8-12					Elbow	1		04-A	128
	19		884-8-14					Hose	1		04-B	132C
	10		AN746					Hose	1		04-B	132C
	48		895-2					Clamp	4		04-A	128
	23		852-8					Fitting	1		04-A	128
								Elbow (90°)	1		04-A	128

RESTRICTED

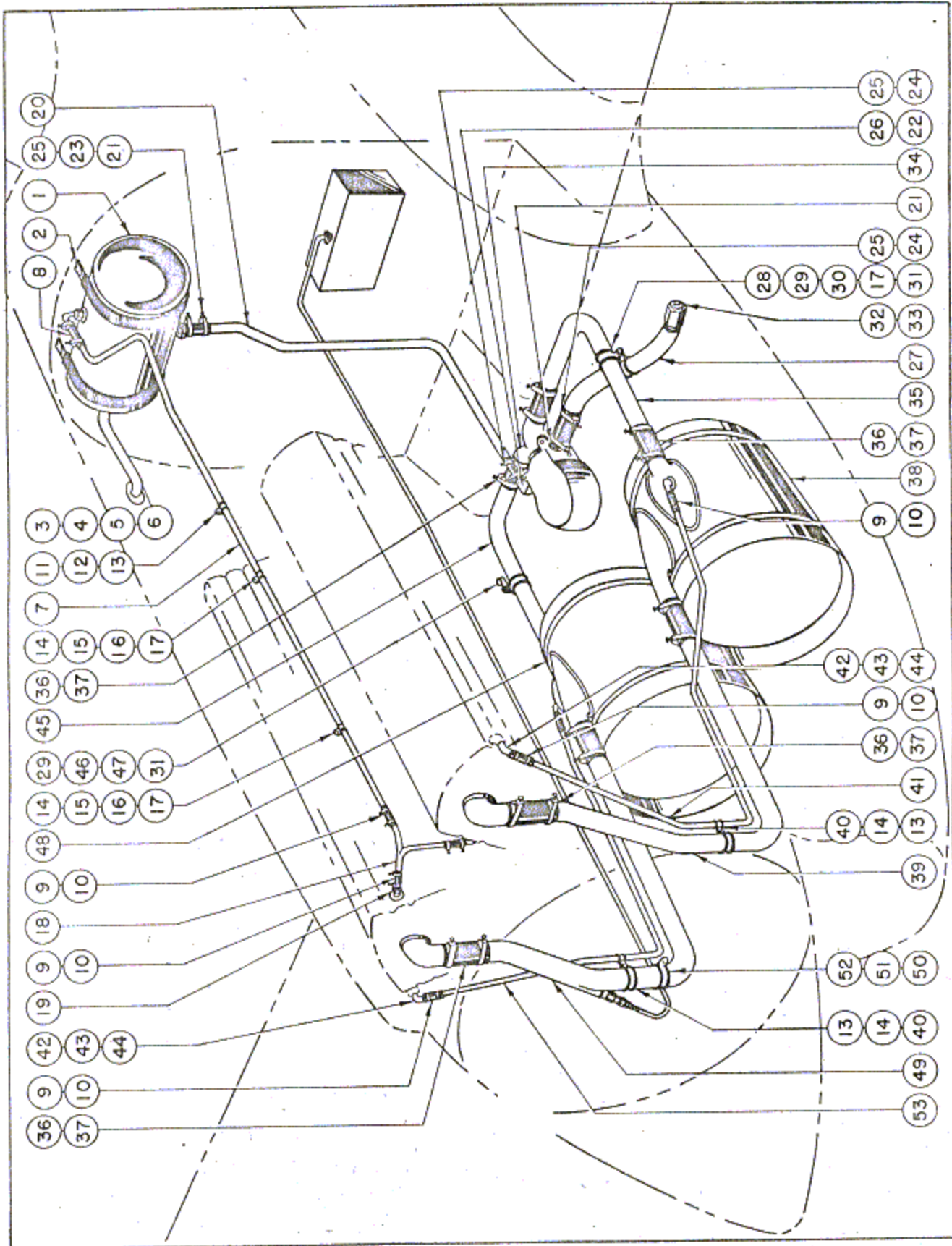


Figure 77—Coolant System

RESTRICTED
T. O. No. 01-25C-4
SECTION II—GROUP ASSEMBLY PARTS LISTS

FIG. NO.	INDEX NO.	GROUP - POWER PLANT						UNITS PER ASSY	PROPERTY CLASSIFICATION		
		MAJOR ASSEMBLY - COOLANT SYSTEM							U.S. NAVY	U.S. ARMY	BRITISH
		PART NUMBER	1	2	3	4	5				
77		87-440-1000						1		01-C	126HB
	1	87-440-1016						1		01-C	126HB
	2	87-440-1011						2		01-C	126HB
	3	87-440-1000-9						1		01-C	126HB
	4	AN842-10						1		04-A	128
	5	884-10-11						1		04-B	132C
	6	QS-100M-12						2		04-A	126HB
	7	87-440-1000-37						1		01-C	126HB
	8	87-440-1018						1		01-C	126HB
	9	884-8-12						2		04-B	132C
	10	AN746						4		04-A	128
	11	87-46-726						1		01-C	126HB
	12	6001-8						1	(1065-D-8U)	04-A	236HB
	13	530-10-10						1		29	128
	14	755-8-2-8						2	(1065-D-8)	04-A	128
	15	81-66-098-5						2		01-C	126HB
	16	AN3-11A						2		04-A	128
	17	AN960-10						2		04-A	128
	18	87-440-1000-44						1		01-C	126HB
	9	884-8-12						2		04-B	132C
	10	AN746						4		04-A	128
	19	AN840-8						2		04-A	128
	20	87-440-1000-59						1		01-C	126HB
	21	AN844-16						1		04-A	128
	22	AN840-16D						1		04-A	128
	23	884-16-17						1		04-B	132C
	24	884-16-16						1		04-B	132C
	25	QS-100M-16						4		04-A	126HB
	26	AN914-6						1		04-A	128
	27	87-440-1000-27						1		01-C	126HB
	21	AN840-16						1		04-A	128
	24	884-16-16						1		04-B	132C
	25	QS-100M-16						2		04-A	126HB
	28	755-16-2-8						1	(1065-D-16)	04-A	128
	29	755-28-2-8						1	(1065-D-28)	04-A	128
	30	AN520-10-14						1		29	128
	17	AN960-10						5		04-A	128
	31	365-1032						1		04-A	128
	32	AN900-12						1		29	128
	33	907-12						1		04-A	128
	34	87-50-521								01-C	126HB
	35	87-440-1000-7						1		01-C	126HB
	36	884-28-20						2		04-B	132C
	37	QS-100M-28						4		04-A	126HB
	38	A31168								03-I	125B
	39	87-440-1000-20						1		01-C	126HB
	36	884-28-20						2		04-B	132C
37	QS-100M-28						4		04-A	126HB	
40	6001-28U						1	(1065-D-28U)	04-A	126HB	
14	755-8-2-8						1	(1065-D-8)	04-A	128	
13	530-10-10						1		29	128	
41	87-440-1000-53						1		01-C	126HB	
42	895-3						1		04-A	128	
43	AN842-8D						1		04-A	128	
44	AN842-8						1		04-A	128	
9	AN884-18-12						2		04-B	132C	
10	AN746						4		04-A	128	
45	87-440-1000-42						1		01-C	126HB	
36	884-28-20						2		04-B	132C	
37	QS-100M-28						4		04-A	126HB	
29	755-28-2-8						1	(1065-D-28)	04-A	128	
46	A755A-14-2-8						1		04-A	128	
47	AN520-10-8						1		29	128	

RESTRICTED

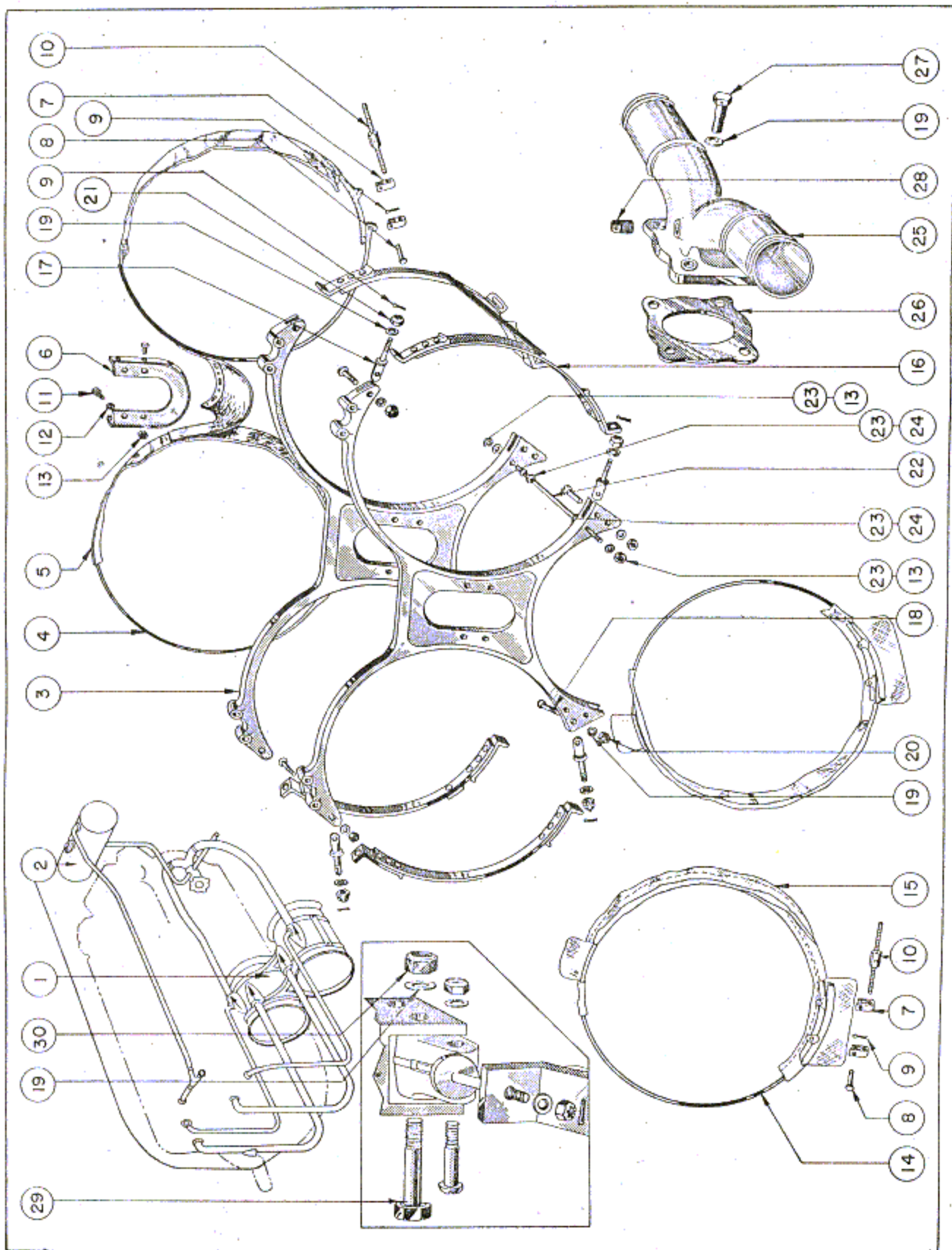


Figure 78—Coolant System

RESTRICTED
T. O. No. 01-25C-4
SECTION II—GROUP ASSEMBLY PARTS LISTS

FIG. NO.	INDEX NO.	STOCK NO.	GROUP - POWER PLANT						UNITS PER ASSY	PROPERTY CLASSIFICATION			
			MAJOR ASSEMBLY - COOLANT SYSTEM (Cont.)							U.S. NAVY	U.S. ARMY	BRITISH	
			PART NUMBER	1	2	3	4	5					6
77	31		365-1032										
	48		A31168										
	49		87-440-1000-16										
	36		884-28-20										
	37		QS-100M-28										
	50		87-440-1017										
	51		7001-28L										
	52		530-10-8										
	40		6001-28U										
	14		755-8-2-8										
	13		530-10-10										
	53		87-440-1000-55										
	42		895-3										
	43		AN842-8D										
	44		AN842-8										
	9		884-8-12										
	10		AN746										
FIG. NO.	INDEX NO.	STOCK NO.	GROUP - POWER PLANT						UNITS PER ASSY	PROPERTY CLASSIFICATION			
			MAJOR ASSEMBLY - COOLANT SYSTEM							U.S. NAVY	U.S. ARMY	BRITISH	
			PART NUMBER	1	2	3	4	5					6
78			87-50-703										
			87-440-1000										
	1		87-50-015L										
			87-50-015R										
			A31168L										
			A31168R										
	2		87-50-502										
			87-440-1016										
	3		87-50-715										
			87-50-738										
	4		87-50-736										
	5		87-50-737										
	6		87-29-063										
	7		87-50-072L										
			87-50-072R										
	8		AN392-17										
	9		AN380-C2-2										
	10		87-50-071										
	11		AN3-5										
	12		AN960-D10										
	13		365-1032										
			87-50-047										
	14		87-50-549										
	15		87-50-C18										
	7		87-50-072L										
			87-50-072R										
	8		AN392-17										
9		AN380-C2-2											
10		87-50-071											
16		87-50-716											
17		87-50-044											
18		AN24-24											

RESTRICTED

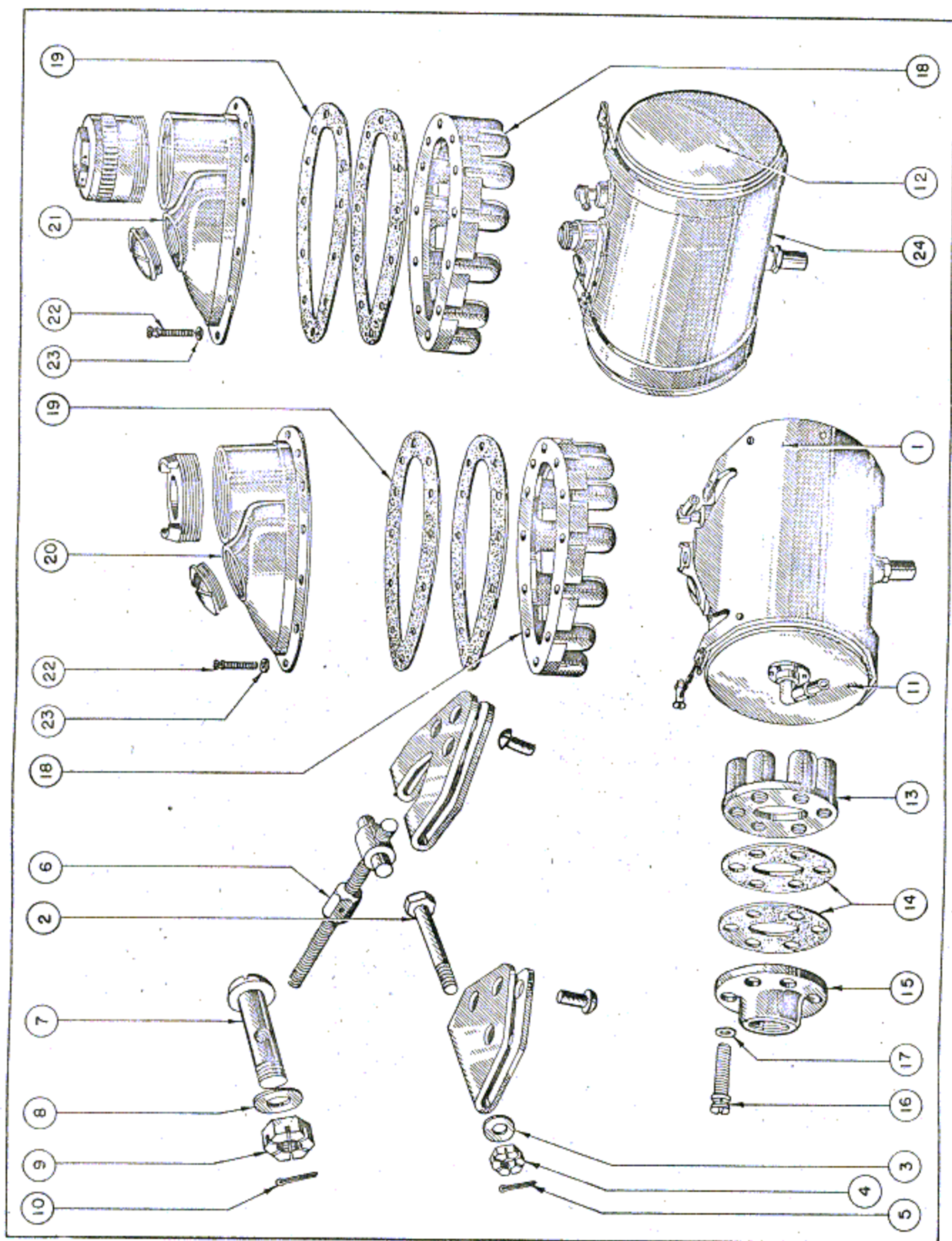


Figure 79—Coolant Expansion Tank

RESTRICTED
T. O. No. 01-25C-4
SECTION II—GROUP ASSEMBLY PARTS LISTS

FIG. NO.	INDEX NO.	STOCK NO.	GROUP - POWER PLANT						UNITS PER ASSY	PROPERTY CLASSIFICATION			
			MAJOR ASSEMBLY - COOLANT SYSTEM (Cont.)							U.S. NAVY	U.S. ARMY	BRITISH	
			PART NUMBER	1	2	3	4	5					6
78	19		AN960-416						Washer	8		04-A	128
	20		364-428						Nut	8		04-A	128
	19		AN960-416						Washer	8		04-A	128
	21		AN310-4						Nut	8		04-A	128
	9		AN380-C2-2						Cotter Pin	8		29	128
	22		87-50-021						Tie Rod	2		01-C	126HB
	23		AN960-10						Washer	4		04-A	128
	13		365-1032						Nut	2		04-A	128
	24		AN315-3R						Nut	2		04-A	128
	25		87-50-521						Inlet "Y"	1		01-C	126HB
	26		87-50-043						Gasket	1		01-C	126HB
	27		AN74-7						Bolt	4		04-A	128
	19		AN960-416						Washer	4		04-A	128
	28		895B70						Plug	1		04-A	128
	29		AN4-25						Bolt	8		04-A	128
	19		AN960-416						Washer	8		04-A	128
	30		365-428						Nut	8		04-A	128
FIG. NO.	INDEX NO.	STOCK NO.	GROUP - POWER PLANT						UNITS PER ASSY	PROPERTY CLASSIFICATION			
			MAJOR ASSEMBLY - COOLANT EXPANSION TANK							U.S. NAVY	U.S. ARMY	BRITISH	
			PART NUMBER	1	2	3	4	5					6
79			87-50-703						Coolant System			01-C	126HB
			87-440-1000						Coolant System			01-C	126HB
			87-50-705-50						Armor Plating Installation			01-C	126HB
	1		87-50-527-50						Armor Plate Assembly	1		01-C	126HB
	2		AN4-15						Bolt	2		04-A	128
	3		AN960-10						Washer	2		04-A	128
	4		AN320-4						Nut	2		01-A	128
	5		AN380-2-3						Cotter Pin	2		29	128
	6		87-50-071						Screw	2		01-C	126HB
	7		87-46-011						Bolt	2		01-C	126HB
	8		AN960-C816						Washer	2		04-A	128
	9		AN320-8						Nut	2		04-A	128
	10		AN380-2-4						Cotter Pin	2		29	128
	11		87-50-502						Tank Assembly	1		01-C	126HB
	12		87-440-1016						Tank Assembly	1		01-C	126HB
	13		87-50-026						Flange	1		01-C	126HB
	14		87-50-028						Gasket	2		01-C	126HB
	15		87-50-027						Flange	1		01-C	126HB
	16		501-A-10-10						Screw	6		29	128
	17		AN960-10L						Washer	6		04-A	128
	18		87-50-038						Tapping Plate	1		01-C	126HB
	19		87-50-040						Gasket	2		01-C	126HB
	20		87-50-042						Filler Assembly	1		01-C	126HB
	21		87-440-1013						Filler Assembly	1		01-C	126HB
22		503-8-8						Screw	12		04-A	128	
23		AN960-B8						Washer	12		04-A	128	
24		87-440-1011						Strap Assembly			01-C	126HB	

RESTRICTED

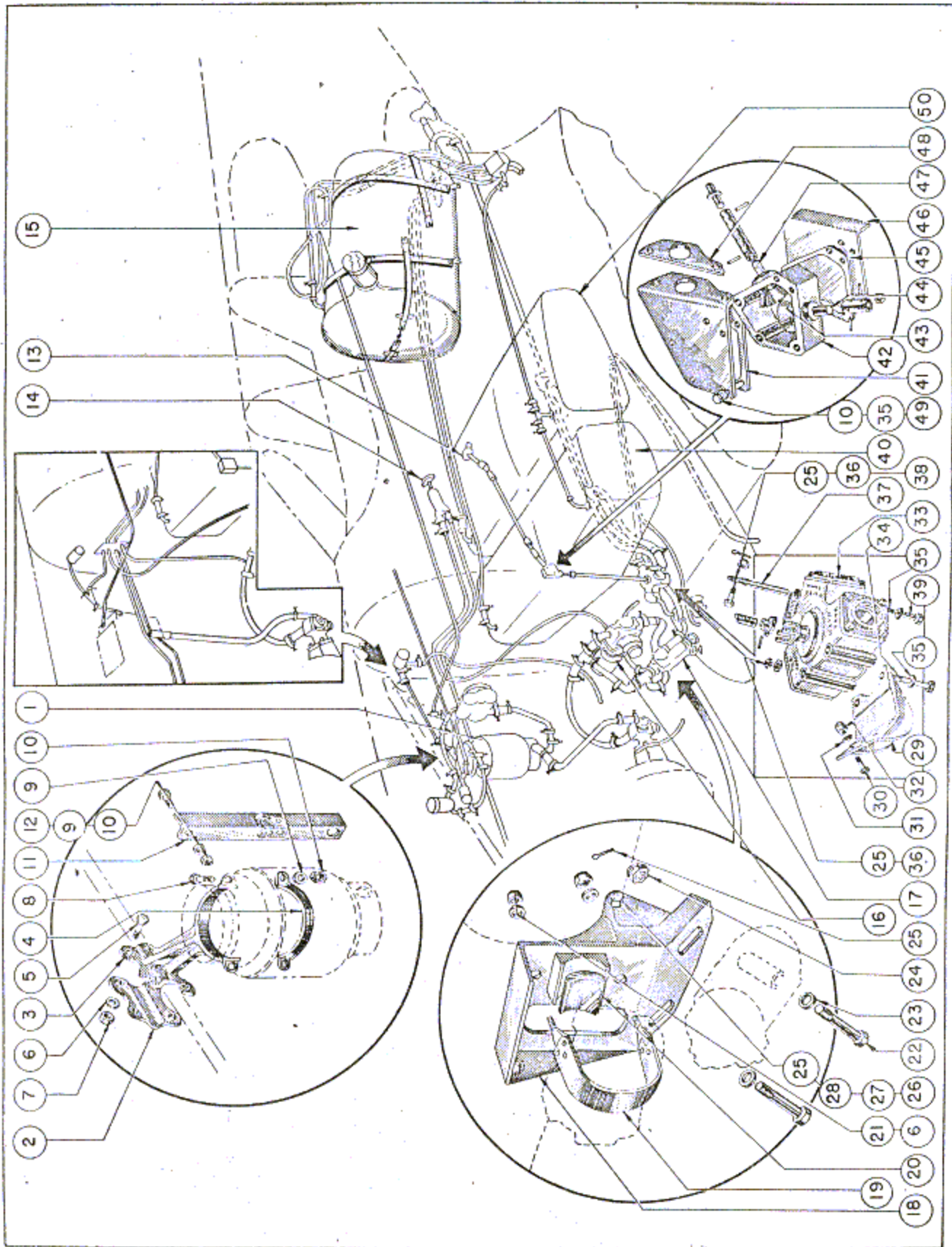


Figure 80—Fuel System

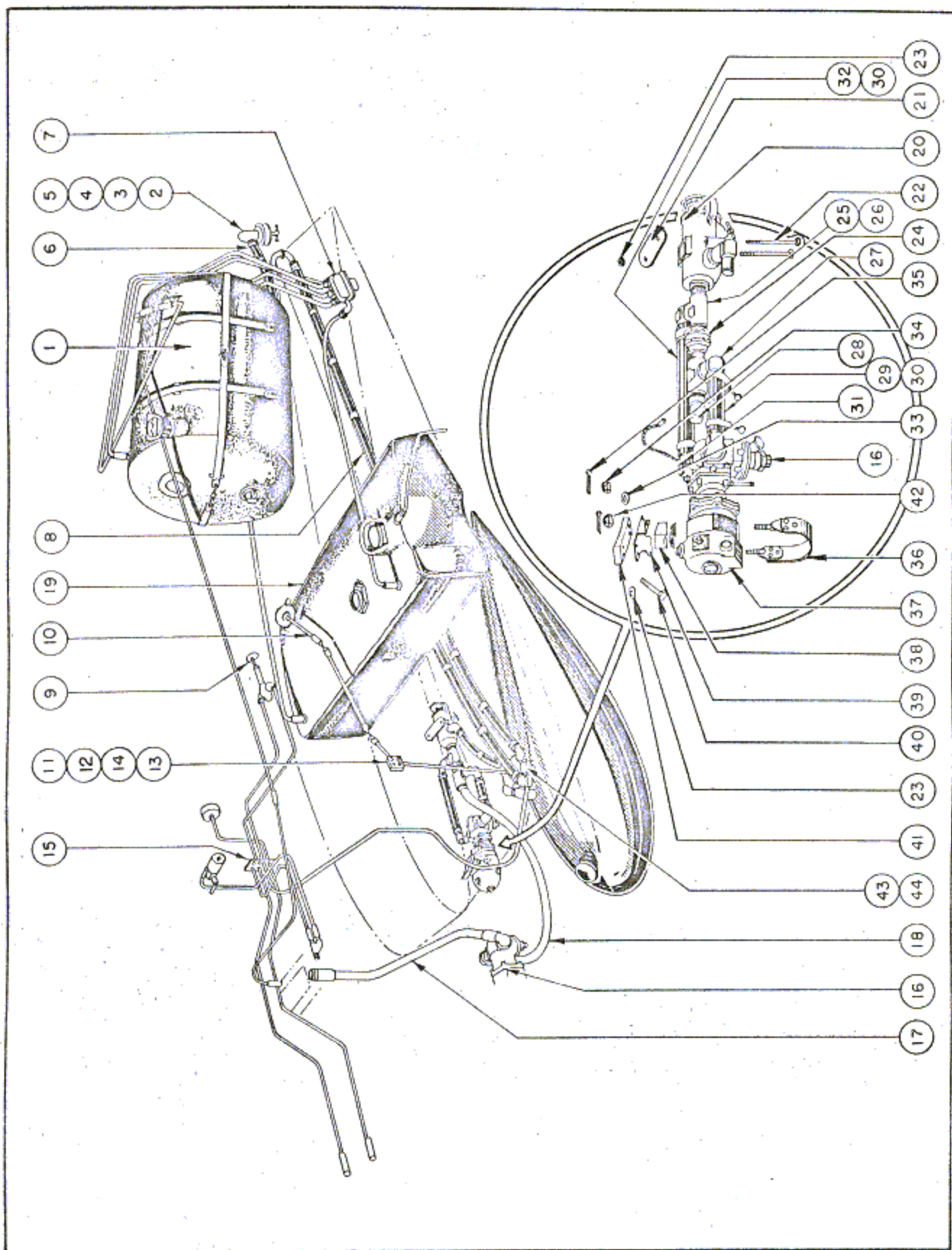


Figure 81—Fuel System

RESTRICTED

T. O. No. 01-25C-4

SECTION II—GROUP ASSEMBLY PARTS LISTS

FIG. NO.	INDEX NO.	STOCKED	GROUP - POWER PLANT						UNITS PER ASSY	PROPERTY CLASSIFICATION		
			MAJOR ASSEMBLY - FUEL SYSTEM (Cont.)							U.S. NAVY	U.S. ARMY	BRITISH
			PART NUMBER	1	2	3	4	5				
80	46		87-44-513-2						1		01-C	126HB
	47		75-44-076					Support Shaft	1		01-C	126HB
	48		87-44-558					Guide	1		01-C	126HB
	49		AN3-16					Bolt	5		04-A	128
	35		AN960-D10					Washer	5		04-A	128
	10		365-1032					Nut	5		04-A	128
	50		87-45-525					Tank - Rear	1		01-C	126HB
FIG. NO.	INDEX NO.	STOCKED	GROUP - POWER PLANT						UNITS PER ASSY	PROPERTY CLASSIFICATION		
			MAJOR ASSEMBLY - FUEL SYSTEM							U.S. NAVY	U.S. ARMY	BRITISH
			PART NUMBER	1	2	3	4	5				
81			87-420-1000					Fuel System Installation			01-C	126HB
	1		87-425-1000					Tank - Fuselage			01-C	126HB
	2		75-44-065					Drain Housing	1		01-C	126HB
	3		75-44-066					Gasket	1		01-C	126HB
	4		AN844-16					Elbow 45°	1		04-B	128
	5		FBA-16					Clamp (Wittek)	2		04-A	128
	6		87-44-035-1-12					Tube	1		01-C	126HB
	7		87-44-024-2					Outlet Assembly	1		01-C	126HB
	8		87-44-935-75-115.0					Tube	1		01-C	126HB
	9		P-4CA-1A					Primer Type F2 (Parker Appliance Co)				127F
	10		87-44-534-20					Control Assembly	1		01-C	126HB
	11		87-44-514					Gear Housing Installation	1		01-C	126HB
	12		AN3-5					Bolt	5		04-A	128
	13		AN960-10					Washer	5		04-A	128
	14		AC365-1032					Nut	5		04-A	128
	15		A864CN6D16					Block	1		01-C	126HB
	16		AN4101					Fuel Pump Type G-9 (Spec. AN-XX-P-291) GFE	2		03-I	137J
	17		87-420-1000-46					Tube	1		01-C	126HB
	18		87-420-1000					Tube	1		01-C	126HB
	19		87-423-1001					Tank - Wing	1		01-C	126HB
	20		81-44-030					Strainer (Lunkenheimer Co.)	1		01-C	126HB
	21		87-423-1001					Rubbing Plate	1		01-C	126HB
	22		AN4-27A					Bolt	2		04-A	128
	23		AN960-416					Washer	2		04-A	128
	24		87-44-908					Check Valve	1		01-C	126HB
	25		AN917-6					Tee	2		04-A	128
	26		AN895-64					Nipple	2		04-A	128
	27		AN842-12D					Elbow	2		04-A	128
	28		AN844-12D					Elbow	1		04-A	128
	29		87-44-935-.75-4					Tube	1		01-C	126HB
	30		FBA-14					Clamp (Wittek)	2		04-A	128
	31		AN844-12					Elbow	3		04-A	128
	32		87-44-935-.75-10.25					Tube	1		01-C	126HB
	30		FBA-14					Clamp (Wittek)	2		04-A	128
	33		AN960-516					Washer	4		04-A	128
	34		AN310-5					Nut	4		04-A	128
	35		AN380-C2-2					Cotter Pin	4		29	128
	36		87-44-913					Strap Assembly	1		01-C	126HB
	37		P4947-M					Electric Motor Spec. 32316 (Delco Products)	1		03-C	137J
	38		87-410-1013-2					Block	1		01-C	126HB
	39		87-420-1014					Bracket	1		01-C	126HB
	40		AN4-11A					Bolt	4		04-A	128
	23		AN960-416					Washer	6		04-A	128

RESTRICTED

173

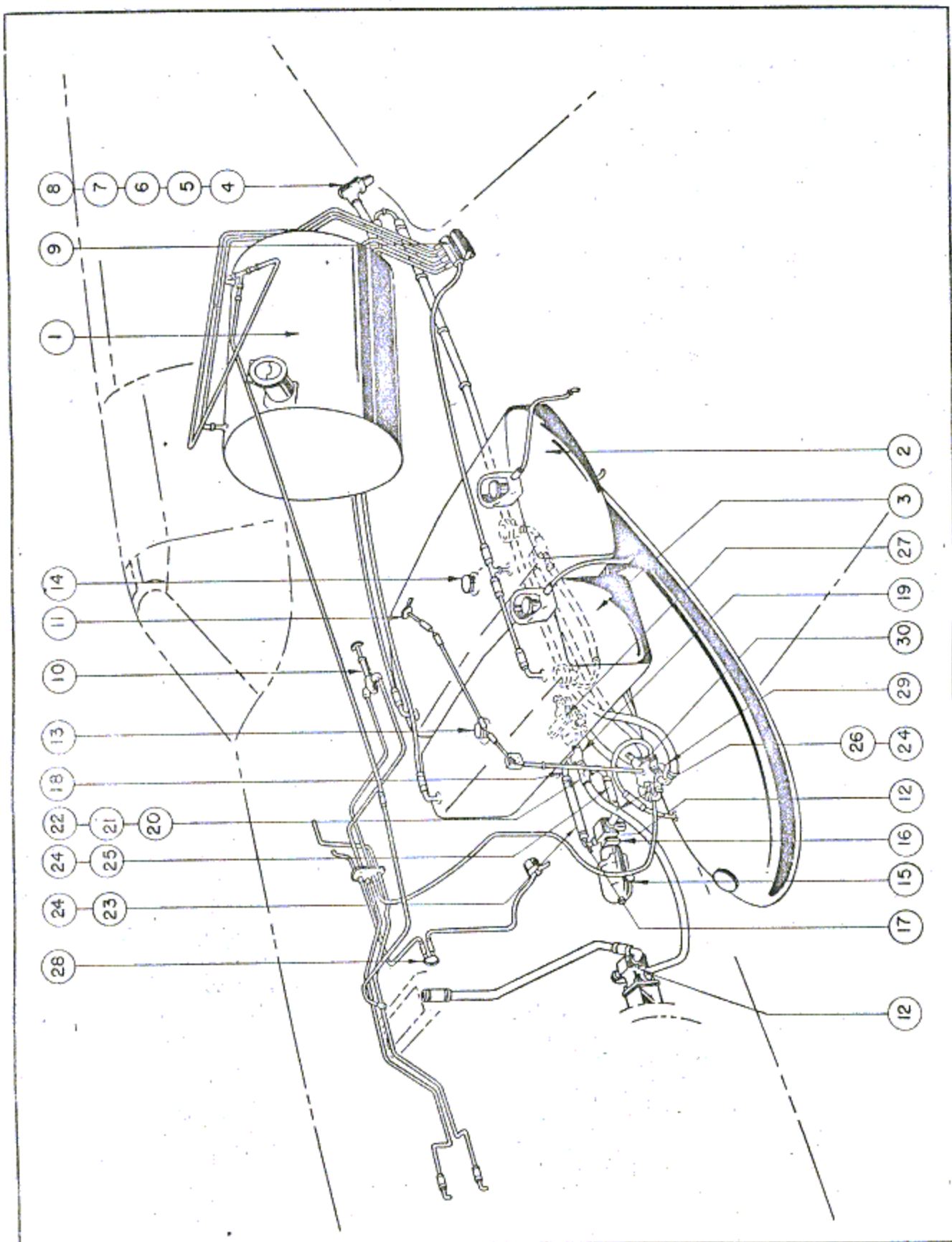


Figure 82—Fuel System

RESTRICTED

T. O. No. 01-25C-4

SECTION II—GROUP ASSEMBLY PARTS LISTS

FIG. NO.	INDEX NO.	STOCKED	GROUP - POWER PLANT						UNITS PER ASSY	PROPERTY CLASSIFICATION			
			MAJOR ASSEMBLY - FUEL SYSTEM (Cont.)							U.S. NAVY	U.S. ARMY	BRITISH	
			PART NUMBER	1	2	3	4	5					6
81	41		87-420-1013-1						Support	1		01-C	126HB
	42		AN310-4						Nut	2		04-A	128
	43		93870						Fuel Selector Cock - Type PK-3 (Aero Supply Co.)	1		03-I	126HB
	44		605720						Special Tee (Brass Forging Co.)	1		02-J	126HB
FIG. NO.	INDEX NO.	STOCKED	GROUP - POWER PLANT						UNITS PER ASSY	PROPERTY CLASSIFICATION			
			MAJOR ASSEMBLY - FUEL SYSTEM							U.S. NAVY	U.S. ARMY	BRITISH	
			PART NUMBER	1	2	3	4	5					6
82			87-420-1006						Fuel System Installation	1		01-C	126HB
	1		87-425-1000						Tank - Fuselage	1		01-C	126HB
	2		87-423-1001						Wing Tank - Rear	1		01-C	126HB
	3		87-423-1000						Wing Tank - Front	1		01-C	126HB
	4		75-46-065						Housing Drain	1		01-C	126HB
	5		75-46-066						Gasket	1		01-C	126HB
	6		AN515-8-10						Screw	5		29	128
	7		AN960-8						Washer	5		04-A	128
	8		365-832						Nut	5		04-A	128
	9		87-44-024-2						Outlet Assembly	1		01-C	126HB
	10		P4CA-1A						Primer - Type E2 (Parker)	1		03-I	127F
	11		87-44-534-30						Control Assembly	1		01-C	126HB
	12		AN4101						Fuel Pump - Type G-9 Spec. AN-P-291 GFE	2		03-I	137J
	13		87-44-536-6						Gage Assembly	1		01-C	126HB
	14		87-44-536-5						Gage Assembly	1		01-C	126HB
	15		P4947-M						Electric Motor Spec. 32316 (Delco Products)	1		03-C	137J
	16		87-44-963						Gasket	1		01-C	126HB
	17		AN842-12						Elbow	2		04-A	128
	18		AN850-12						Elbow	2		04-A	128
	19		87-44-908						Check Valve	1		01-C	126HB
	20		AN917-6						Tee	2		04-A	128
	21		895-64						Nipple	1		04-A	128
	22		AN911-6						Nipple	1		04-A	128
	23		87-44-935-.75-10.25						Hose	1		01-C	126HB
	24		QS-100M-16						Clamp (Aero Seal Co.)	2		04-A	126HB
	25		87-44-935-.75-4.00						Hose	1		01-C	126HB
	26		QS-100M-16						Clamp (Aero Seal Co.)	2		04-A	126HB
	27		87-44-935-.75-13.5						Hose	1		01-C	126HB
	28		QS-100M-16						Clamp (Aero Seal Co.)	2		04-A	126HB
	29		81-44-030						Strainer (Lunkenheimer Co.)	1		01-C	126HB
30		37A3528						Fitting	1		03-I	128	
31		605720						Special Tee (Packard) Brass Forging Co.	1		02-J	126HB	
32		93870						Fuel Selector Cock Type PK-3	1		03-I	126HB	

RESTRICTED

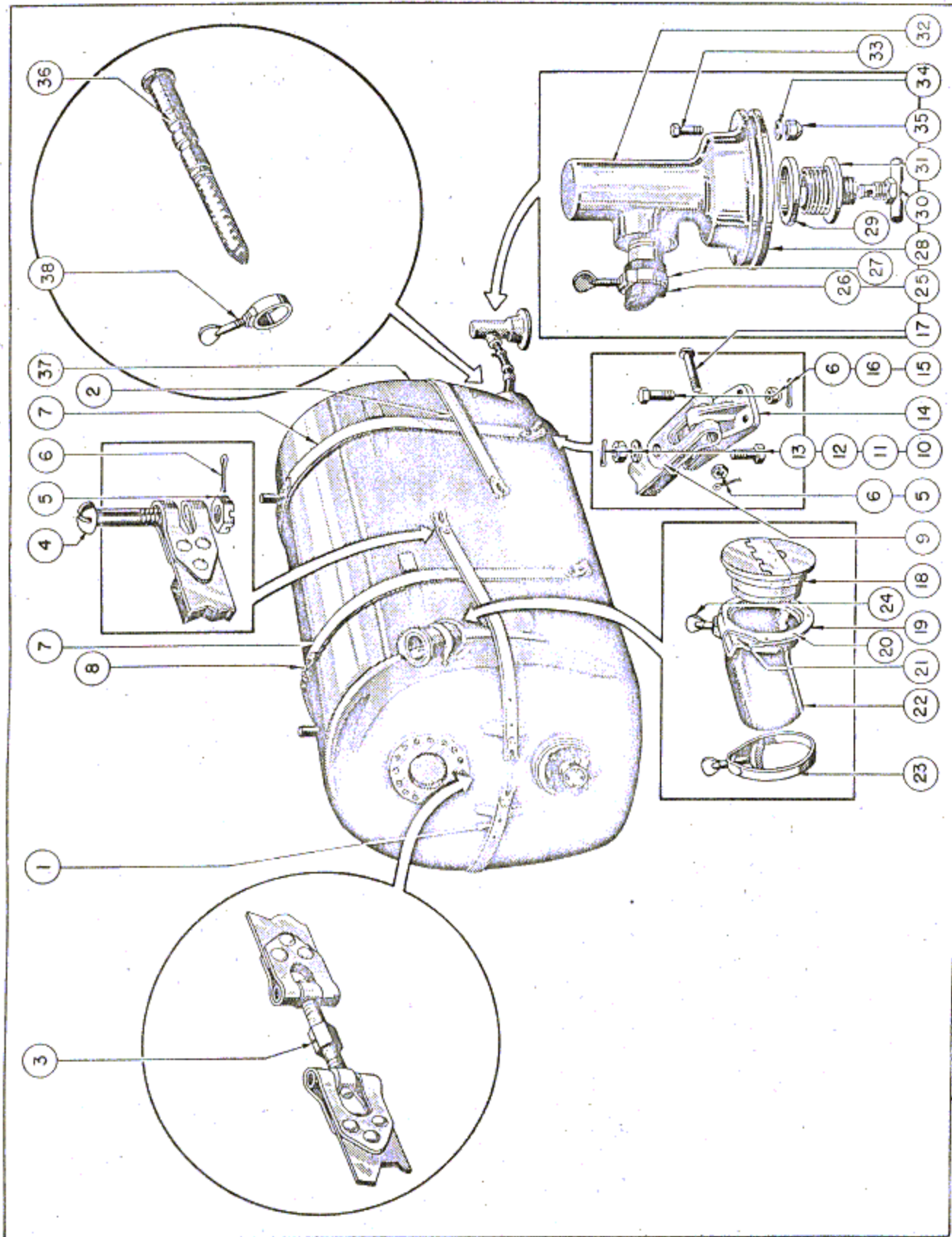


Figure 83—Fuselage Fuel Tank

RESTRICTED

T. O. No. 01-25C-4

SECTION II—GROUP ASSEMBLY PARTS LISTS

FIG. NO.	INDEX NO.	STOCK NUMBER	GROUP - POWER PLANT						UNITS PER ASSY	PROPERTY CLASSIFICATION										
			MAJOR ASSEMBLY FUSELAGE FUEL TANK							U.S. NAVY	U.S. ARMY	BRITISH								
			PART NUMBER	1	2	3	4	5					6	NOMENCLATURE						
83			87-44-701												Fuel System Installation	A - AF43-5722			01-C	126HB
			87-44-702												Fuel System Installation	B			01-C	126HB
			87-420-1000												Fuel System Installation	C - E			01-C	126HB
			87-420-1006												Fuel System Installation	F - up			01-C	126HB
		1		87-45-097											Strap Assembly - Front		2		01-C	126HB
		2		87-45-096											Strap Assembly - Rear		2		01-C	126HB
		3		1036-D-3											Turnbuckle		2		01-C	126HB
		4		AN24-23											Bolt - Strap		4		04-A	128
		5		AN320-4											Nut		4		04-A	126
		6		AN380-C2-2											Cotter Pin		4		29	126
		7		87-45-579											Strap Assembly		2		01-C	126HB
		8		1036-D-2											Turnbuckle		1		01-C	126HB
		9		87-45-580											Terminal		2		01-C	126HB
		10		AN5-6											Bolt		2		04-A	128
		11		AN960-4											Washer		2		04-A	128
		12		AN310-5											Nut		2		04-A	128
		13		AN380-2-3											Cotter Pin		2		29	126
		14		87-45-011											Fitting		4		01-C	126HB
		15		AN3-5											Bolt		16		04-A	128
		16		AN310-3											Nut		16		04-A	128
		6		AN380-C2-2											Cotter Pin		16		29	128
		17		AN24-26											Bolt		4		04-A	128
		5		AN320-4											Nut		4		04-A	128
		6		AN380-C2-2											Cotter Pin		4		29	128
		18		1E1208											Cap And Adapter Assem	(87-45-533-1)	1		03-F	126HB
		19		87-21-558											Attachment		1		01-C	126HB
		20		1100-DS-10											Screw		5		01-C	126HB
		21		1100-DS-12											Screw		2		01-C	126HB
		22		87-45-915											Filler Neck		1		01-C	126HB
		23		FBA-99											Clamp (Wittek)		1		04-A	128
		24		FBA-88											Clamp (Wittek)		1		04-A	128
		25		87-44-935-.75-9.5											Tube - Self-Sealing	C - up	1		01-C	126HB
		26		87-44-935-.75-9.0											Tube - Self-Sealing		1		01-C	126HB
		27		FBA-16											Clamp (Wittek)	C - E	2		04-A	128
		27		QS-100-M20											Clamp (Aero Supply Co.)	F - up	2		04-A	126HB
		27		FBA-18											Clamp (Wittek)	A - AF43-5722	2		04-A	128
		27		FBA-20											Clamp (Wittek)	B	2		04-A	128
		28		75-44-066											Gasket		1		01-C	126HB
	29		AN900-12											Gasket		1		29	128	
	30		AN771-2											Drain Cock		1		29	128	
	31		AC906-12											Plug	A - AF43-5722	1		04-A	128	
	31		AC908-12											Plug		1		04-A	128	
	32		75-44-065											Housing - Drain		1		01-C	126HB	
	33		AN515-8-10											Screw		5		29	128	
	34		AN960-8											Washer		5		04-A	128	
	35		AC365-832											Nut		5		04-A	126	
	36		87-45-091											Strainer		1		01-C	126HB	
	37		87-450-1000											Tank		1		01-C	126HB	
	38		FBA-14											Clamp (Wittek)	C - E	1		04-A	128	
	38		QS-100-M16											Clamp (Aero Supply Co.)	F - up	1		04-A	126HB	

RESTRICTED

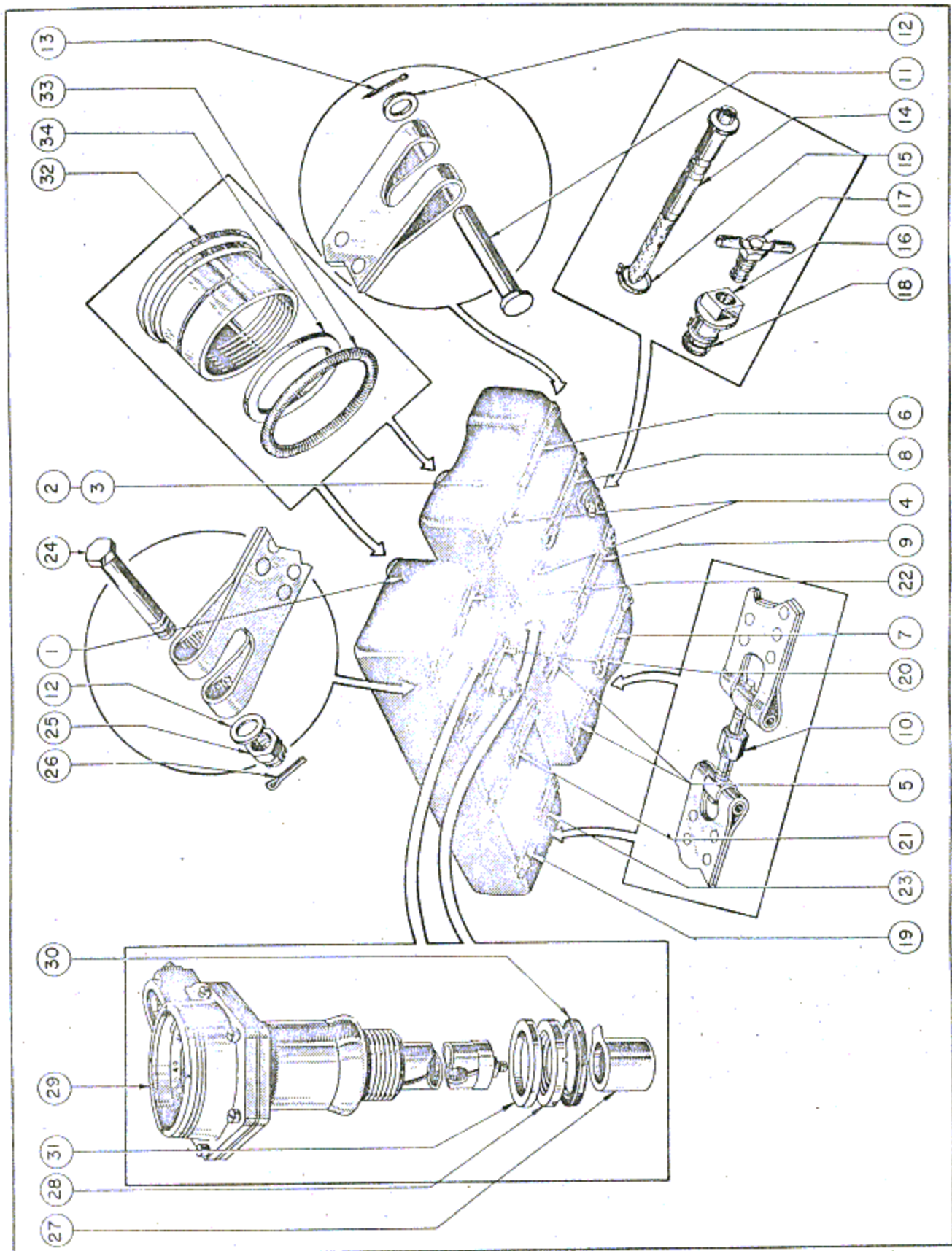


Figure 84—Wing Fuel Tank

RESTRICTED
T. O. No. 01-25C-4

SECTION II — GROUP ASSEMBLY PARTS LISTS

FIG. NO.	INDEX NO.	STOCKED	GROUP - POWER PLANT						UNITS PER ASSY	PROPERTY CLASSIFICATION				
			MAJOR ASSEMBLY - WING FUEL TANK							U.S. NAVY	U.S. ARMY	BRITISH		
			PART NUMBER	1	2	3	4	5					6	NOMENCLATURE
84	1		87-44-701	Fuel	System	Installation						01-C	126HB	
			87-44-702	Fuel	System	Installation	A - AF43-5437						01-C	126HB
			87-420-1000	Fuel	System	Installation	B						01-C	126HB
			87-420-1006	Fuel	System	Installation	C - E						01-C	126HB
			87-423-1000	Fuel	System	Installation	F - up						01-C	126HB
			87-423-1001	Tank	Wing	Front				1			01-C	126HB
			87-420-1018	Tank	Wing	Rear				1			01-C	126HB
			87-44-567L	Tank	Installation	Rear				1			01-C	126HB
			87-44-567R	Strap						2			01-C	126HB
			87-44-568L	Strap						1			01-C	126HB
			87-44-568R	Strap						1			01-C	126HB
			87-44-569L	Strap						1			01-C	126HB
			87-44-569R	Strap						1			01-C	126HB
			87-45-513	Screw	Strap	End				4			01-C	126HB
			AN395-53	Clevis						4			04-A	128
			AN960-516	Washer						4			04-A	128
			AN380-C3-3	Cotter Pin						4			29	128
			87-45-083	Strainer	Assembly					1			01-C	126HB
			QS-100-M16	Clamp	(Aero Seal)					1			04-A	126HB
			201543	Plug	Tank Drain					1			01-C	126HB
			AN771-2	Drain	Cock					1			29	128
			QS-100-M12	Clamp	(Aero Seal)					1			04-A	126HB
			87-44-057	Strap	Front	Tank				4			01-C	126HB
			87-44-058L	Strap	Front	Tank - Inner				1			01-C	126HB
			87-44-058R	Strap	Front	Tank - Inner				1			01-C	126HB
			87-44-059L	Strap	Front	Tank - Outer				1			01-C	126HB
			87-44-059R	Strap	Front	Tank - Outer				1			01-C	126HB
			87-45-513	Screw	Strap	End				4			01-C	126HB
			AN5-20	Bolt						8			04-A	128
			AN960-516	Washer						8			04-A	128
			AN310-5	Nut						8			04-A	128
			AN380-C2-2	Cotter Pin						8			29	128
			87-44-571-1	Cup						2			01-C	126HB
			87-44-230	Spacer						2			01-C	126HB
	87-44-536-6	Gage	Front	Tank				1			01-C	126HB		
	87-44-536-5	Gage	Rear	Tank				1			01-C	126HB		
	75-44-059-1	Seal						2			01-C	126HB		
	AN900-24	Gasket						2			29	128		
	1E-1208	Cap	And Adapter	Assem(87-45-553-2)				1			03-F	126HB		
	87-06-531	Spring						1			01-C	126HB		
	87-45-522-1	Gasket						1			01-C	126HB		

FIG. NO.	INDEX NO.	STOCKED	GROUP - POWER PLANT						UNITS PER ASSY	PROPERTY CLASSIFICATION				
			MAJOR ASSEMBLY - Oil System							U.S. NAVY	U.S. ARMY	BRITISH		
			PART NUMBER	1	2	3	4	5					6	NOMENCLATURE
85	1		87-46-702-100	Oil	System							01-C	126HB	
			87-46-902	Oil	Tank	Installation	A - B						01-C	126HB
			87-46-702-42	Tube						1			01-C	126HB
			836-16	Fitting						1			04-A	128
			884-16-16	Hose						1			04-B	132C
			FBA-16	Clamp	(Witte)					2			04-A	128
	AN931-16-30	Grommet						1			04-A	128		

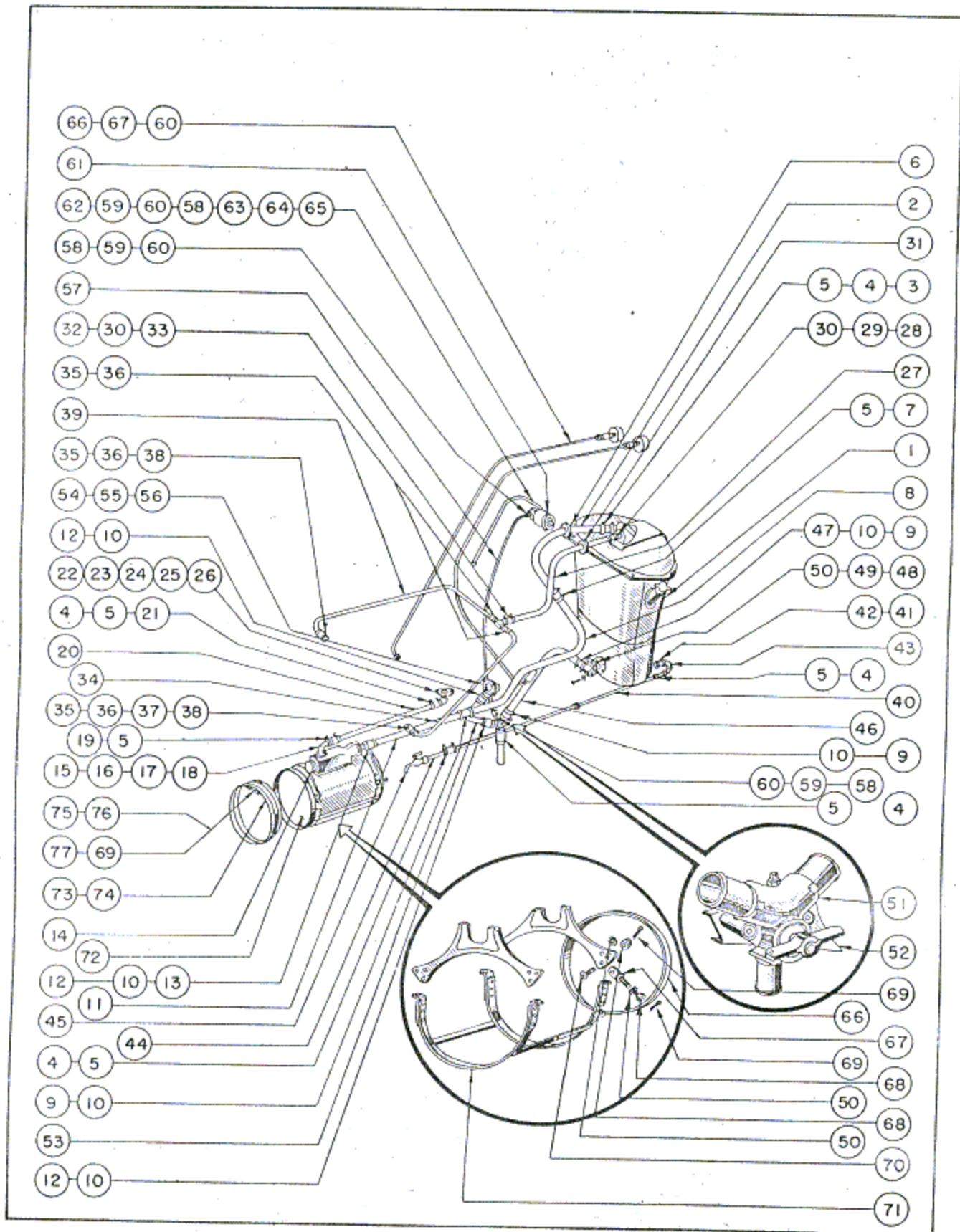


Figure 85—Oil System

SECTION II—GROUP ASSEMBLY PARTS LISTS

FIG. NO.	INDEX NO.	STOCK #	GROUP - POWER PLANT						UNITS PER ASSY	PROPERTY CLASSIFICATION		
			MAJOR ASSEMBLY - OIL SYSTEM (Cont.)							U.S. NAVY	U.S. ARMY	BRITISH
			PART NUMBER	1	2	3	4	5				
85	7		884-16-20						1		04-B	132C
	5		FBA-16						2		04-A	128
	8		87-46-702-33						1		01-C	126HE
	9		884-24-18						1		04-B	132C
	10		FBA-28						2		04-A	128
	11		87-46-702-35						1		01-C	126HB
	12		884-24-16						1		04-B	132C
	10		FBA-28						2		04-A	128
	13		836-24						1		04-A	128
	14		8504377						1		03-I	137J
	15		87-46-715						1		01-C	126HB
	16		87-46-714						1		01-C	126HB
	17		AN960-C516						13		04-A	128
	18		AN310-5						13		04-A	128
	19		884-16-14						1		04-B	132C
	5		FBA-16						2		04-A	128
	20		87-46-702-43						1		01-C	126HB
	4		884-16-16						1		04-B	132C
	5		FBA-16						2		04-A	128
	21		853-16						1		04-A	128
	22		895-5						1		04-A	128
	23		87-46-544						1		01-C	126HB
	24		87-46-546						1		01-C	126HB
	25		AN960-516						3		04-A	128
	26		365-524						3		04-A	128
	27		87-46-702-44						1		01-C	126HB
	28		835-12						1		04-A	128
	29		884-12-14						1		04-B	132C
	30		FBA-12						2		04-A	128
	31		AN931-12-20						1		04-B	128
	32		884-12-9						1		04-B	132C
	30		FBA-12						2		04-A	128
	33		87-46-543						1		01-C	126HB
	34		87-46-702-56						1		01-C	126HB
	35		884-8-9						2		04-B	132C
	36		FBA-8						4		04-A	128
	37		895-85						1		04-A	128
	38		851-8						1		04-A	128
	39		87-46-702-40						1		01-C	126HB
	35		884-8-9						2		04-B	132C
	36		FBA-8						4		04-A	128
	38		851-8						1		04-A	128
	40		87-46-702-60						1		01-C	126HB
	41		895-94						1		04-A	128
	42		895-14						1		04-A	128
	43		850-16						1		04-A	128
	4		884-16-16						1		04-B	132C
	5		FBA-16						2		04-A	128
	44		87-46-702-59						1		01-C	126HI
	4		884-16-16						1		04-B	132C
	5		FBA-16						2		04-A	128
	45		770-3						1		29	128
	46		87-46-702-7						1		01-C	126HB
	9		884-24-18						2		04-B	132C
	10		FBA-28						4		04-A	128
	47		87-46-536						1		01-C	126HB
	48		87-46-545						1		01-C	126HB
	49		1068DSA-12						6		01-C	126HB
	50		AN960-416						6		04-A	128
	51		37D6114-6						1		03-I	126HB
	52		87-46-535						1		01-C	126HB
	4		884-16-16						1		04-B	132C
	5		FBA-16						2		04-A	128

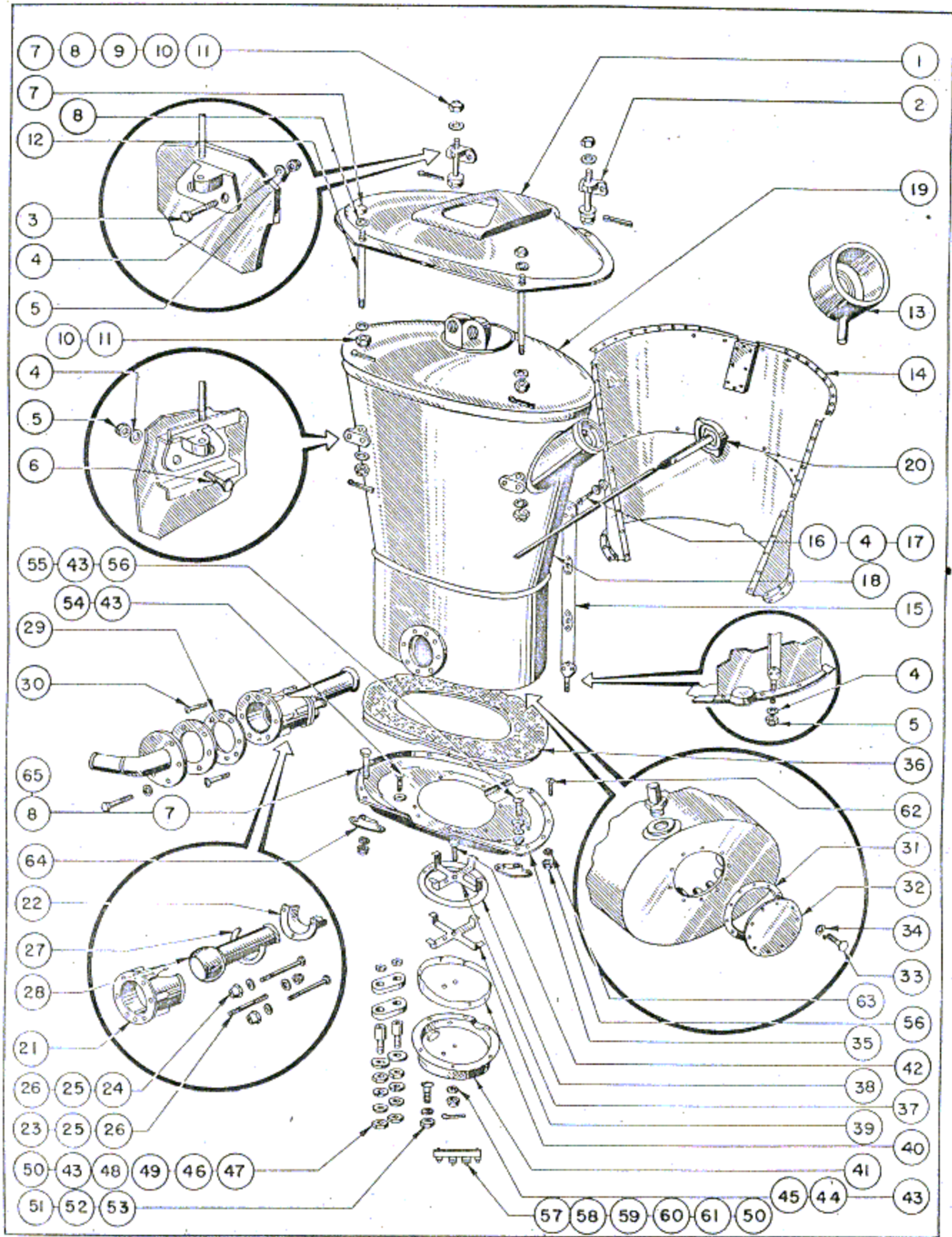


Figure 86—Oil Tank Assembly

SECTION II—GROUP ASSEMBLY PARTS LISTS

FIG. NO.	INDEX NO.	STOCK KEY	GROUP - POWER PLANT						UNITS PER ASSY	PROPERTY CLASSIFICATION				
			MAJOR ASSEMBLY - OIL SYSTEM (Cont.)							U.S. NAVY	U.S. ARMY	BRITISH		
			PART NUMBER	1	2	3	4	5					6	NOMENCLATURE
85	53		87-46-702-6			Tube				1		01-C	126HB	
	12		884-24-16			Hose				2		04-B	132C	
	10		FBA-28			Clamp				4		04-A	128	
	54		87-46-712			Gasket				1		01-C	126HB	
	55		87-46-577			Elbow				1		01-C	126HB	
	56		AN771-1			Drain Cock				1		29	128	
	57		87-46-702-24			1/4" Line				1		01-C	126HB	
	58		851-4			Fitting				2		04-A	128	
	59		884-4-9			Hose				2		04-B	132C	
	60		FBA-2			Clamp				4		04-A	128	
	61		87-46-552			Dilution Valve				1		01-C	105C	
	62		87-46-702-30			1/4" Line				1		01-C	126HB	
	58		851-4			Fitting				2		04-A	128	
	59		884-4-9			Hose				2		04-B	132C	
	60		FBA-2			Clamp				4		04-A	128	
	63		AN4-10A			Bolt				1		04-A	128	
	64		AN960-10			Washer				1		04-A	128	
	65		365-428			Nut				1		04-A	128	
	66		87-46-574			Ring				1		01-C	126HB	
	67		87-50-044			Eyebolt				4		01-C	126HB	
	50		AN960-416			Washer				4		04-A	128	
	68		AN310-4			Nut				4		04-A	128	
	69		AN380-C2-2			Cotter Pin				4		29	128	
	70		AN24-17A			Bolt				4		04-A	128	
	50		AN960-416			Washer				4		04-A	128	
	68		AN310-4			Nut				4		04-A	128	
	69		AN380-C2-2			Cotter Pin				4		29	128	
	71		87-46-575			Strap Assembly				1		01-C	126HB	
	72		87-46-713			Regulator Oil Temperature				1		01-C	127B	
	73		87-46-572			Sleeve				1		01-C	126HB	
	74		87-46-509			Wire				1		01-C	126HB	
	75		87-50-071			Turn Buckle				1		01-C	126HB	
	76		87-50-072L			Lug L.H.				1		01-C	126HB	
			87-50-072R			Lug R.H.				1		01-C	126HB	
77		AN392-17			Pin				2		04-A	128		
69		AN380-C2-2			Cotter Pin				2		29	128		
FIG. NO.	INDEX NO.	STOCK KEY	GROUP - POWER PLANT						UNITS PER ASSY	PROPERTY CLASSIFICATION				
			MAJOR ASSEMBLY - OIL TANK ASSEMBLY							U.S. NAVY	U.S. ARMY	BRITISH		
			PART NUMBER	1	2	3	4	5					6	NOMENCLATURE
86			87-46-702			Oil System							01-C	126HB
			87-46-902			Oil Tank Installation							01-C	126HB
	1		87-46-530			Cradle Assembly				4		01-C	126HB	
	2		87-46-521			Bracket				4		04-A	128	
	3		AN4-11			Bolt				8		04-A	128	
	4		AN960-D-416			Washer				8		04-A	128	
	5		365-428			Nut				4		04-A	128	
	6		AN4-7			Bolt				4		04-A	128	
	7		365-524			Nut				8		04-A	128	
	8		AN960-D-516			Washer				2		01-C	126HB	
	9		87-46-526-1			Stud				4		04-A	128	
	10		AN320-5			Nut				4		29	128	
	11		AN380-2-3			Cotter Pin				2		01-C	126HB	
	12		87-46-526-2			Stud				1		01-C	126HB	
	13		87-46-533			Scupper				1		01-C	126HB	
	14		87-46-902-1			Shield Assembly				1		01-C	126HB	
15		87-46-525			Strap									

RESTRICTED
T. O. No. 01-25C-4

SECTION II—GROUP ASSEMBLY PARTS LISTS

FIG. NO.	INDEX NO.	STOCK NO.	GROUP - POWER PLANT						UNITS PER ASSY	PROPERTY CLASSIFICATION		
			MAJOR ASSEMBLY - OIL TANK ASSEMBLY (Cont.)							U.S. NAVY	U.S. ARMY	BRITISH
			PART NUMBER	1	2	3	4	5				
86	16		AN24-13						1		04-A	128
	4		AN960-D-416						2		04-A	128
	17		364-428						1		04-A	128
	5		365-428						1		04-A	128
			87-47-501-30						1		01-C	126HB
	18		87-47-501-1						1		01-C	126HB
	19		87-47-501-3						1		01-C	126HB
	20		87-47-713						1		01-C	126HB
			87-47-520						1		01-C	126HB
			87-47-510						1		01-C	126HB
	31		87-47-510-1						1		01-C	126HB
	22		87-47-510-2						1		01-C	126HB
	23		626-D-25-1.375						1		01-C	126HB
	24		AN4-20						2		04-A	128
	25		AN960-C-416						3		04-A	128
	26		AN310-4						3		04-A	128
	27		87-47-511						1		01-C	126HB
	28		87-47-512						1		01-C	126HB
	29		87-47-523						1		01-C	126HB
	30		AN510-416-14						2		29	128
	31		87-47-525						1		01-C	126HB
	32		87-47-524						1		01-C	126HB
	33		1086DSA-6						10		01-C	126HB
	34		AN960-416						10		04-A	128
			87-46-934						1		01-C	126HB
	35		87-46-932						1		01-C	126HB
	36		87-46-935						1		01-C	126HB
	37		87-46-930						1		01-C	126HB
	38		42-Type A-60						1		08-A	105C
	39		87-46-931						1		01-C	126HB
	40		87-46-936						1		01-C	126HB
	41		87-46-933						1		01-C	126HB
	42		AN3-5						1		04-A	128
	43		AN960-10						1		04-A	128
	44		AN310-3						1		04-A	128
	45		AN380-C2-2						1		29	128
	46		87-66-767						2		01-C	126HB
	47		87-66-769						2		01-C	126HB
	48		AN935-10						4		04-A	126
	49		AN940-B-316						2		04-A	128
	43		AN960-10						2		04-A	128
	50		AN340-810						4		29	128
	51		AN515-8-10						1		29	126
	52		AN960-8						1		04-A	128
	53		AN365-832						1		04-A	128
	54		AN525-10-10						5		29	128
	43		AN960-10						5		04-A	128
	55		AN525-10-11						8		29	126
	43		AN960-10						16		04-A	128
	56		365-1032						8		04-A	128
	57		81-66-018-2						1		01-C	126HB
	58		81-66-019-2						1		01-C	126HB
	59		AN515-6-12						2		29	126
	60		365-632						2		04-A	128
	61		75-66-118-12						2		01-C	126HB
	50		AN340-B-10						4		29	128
	62		AN526-1032-10						21		29	128
	63		AN960-D-10						21		04-A	128
	56		365-1032						21		04-A	128
	64		87-46-534L						1		01-C	126HB
			87-46-534R						1		01-C	126HB
	65		AN5-21						2		04-A	128
	8		AN960-D-516						2		04-A	128
	7		AN365-524						2		04-A	128

RESTRICTED

T. O. No. 01-25C-4

SECTION II—GROUP ASSEMBLY PARTS LISTS

FIG. NO.	INDEX NO.	STOCKED	GROUP - POWER PLANT						UNITS PER ASSY	PROPERTY CLASSIFICATION												
			MAJOR ASSEMBLY - OIL TANK ASSEMBLY							U.S. NAVY	U.S. ARMY	BRITISH										
			PART NUMBER	1	2	3	4	5					6	NOMENCLATURE								
87			87-429-1000														Installation Oil System	C - I			01-C	126HB
			87-429-1002														Installation Oil System	J - R			01-C	126HB
			87-429-1002-100														Installation Oil System	S - up			01-C	126HB
	1		87-430-1000														Oil Tank Installation		1		01-C	126HB
	2		87-429-1000-47														Weld Assembly	C - I	1		01-C	126HB
	3		87-429-1002-47														Weld Assembly	J - up	1		01-C	126HB
	4		884-24-16														Hose		1		04-B	132C
	5		QS-100M-24														Clamp (Aero Seal)		2		04-A	126HB
	6		931-24-2B														Grommet		1		04-B	128
	7		87-429-1000-60														Tube	C - I	1		01-C	126HB
	8		87-429-1002-60														Tube	J - up	1		01-C	126HB
	4		884-24-16														Hose		2		04-B	132C
	5		QS-100M-24														Clamp (Aero Seal)		4		04-A	126HB
	9		87-429-1000-35														Tube	C - I	1		01-C	126HB
	10		87-429-1002-35														Tube	J - up	1		01-C	126HB
	4		884-24-16														Hose		1		04-B	132C
	5		QS-100M-24														Clamp (Aero Seal)		2		04-A	126HB
	11		87-429-1000-10														Radiator Assembly	C - I	1		01-C	127B
	12		87-429-1002-10														Radiator Assembly	J - up	1		01-C	127B
	13		87-429-1015														Radiator		1		01-C	127B
	14		87-429-1018-1														Gasket		1		01-C	126HB
	15		AN960-416L														Washer		8		04-A	128
	16		AN310-5														Nut		8		04-A	128
	17		87-429-1000-11														Rotary Valve Assembly	C - I	1		01-C	126HB
	18		87-429-1002-11														Rotary Valve Assembly	J - up	1		01-C	126HB
	19		8504377														Valve Harrison		1		03-I	127B
	20		87-46-715														Gasket		1		01-C	126HB
	21		87-429-1016														Elbow		1		01-C	126HB
	22		AN960-C-516L														Washer		4		04-A	128
	16		AN310-5														Nut		4		04-A	128
	23		87-460-1000-43														Tube	C - I	1		01-C	126HB
	24		87-460-1000-43														Tube	J - up	1		01-C	126HB
	4		884-24-16														Hose		2		04-B	132C
	5		QS-100M-24														Clamp (Aero Seal)		4		04-A	126HB
	25		87-429-1017														Elbow		1		01-C	126HB
	26		AN960-516														Washer		3		04-A	128
	27		87-46-544														Gasket		1		01-C	126HB
	28		87-429-1000-7														Tube Assembly	C - I	1		01-C	126HB
	29		87-429-1002-1														Tube Assembly	J - up	1		01-C	126HB
	30		87-432-1000														Elbow	C - I	1		01-C	126HB
	31		87-432-1003														Elbow	J - up	1		01-C	126HB
	32		1068-D5A-12														Screw		6		01-C	126HB
	33		AN960-416														Washer		6		04-A	128
	34		87-46-545														Gasket		1		01-C	126HB
	35		884-32-18														Hose		1		04-B	132C
	36		884-32-14														Hose		1		04-B	132C
	37		QS-100M-32														Clamp (Aero Seal)		4		04-A	126HB
	38		41D3703														Oil "Y" Drain		1		03-I	126HB
	39		884-16-16														Hose		1		04-B	132C
	40		QS-100M-16														Clamp (Aero Seal)		2		04-A	126HB
	41		87-429-1000-6														Tube	C - I	1		01-C	126HB
	42		87-429-1002-6														Tube	J - up	1		01-C	126HB
	36		884-32-14														Hose		1		04-B	132C
	43		884-32-16														Hose		1		04-B	132C
	37		QS-100M-32														Clamp (Aero Seal)		4		04-A	126HB
	44		87-432-1002														Elbow		1		01-C	126HB
	45		AN771-1														Drain Cock		1		29	128
	46		87-46-712														Gasket		1		01-C	126HB
	47		87-46-571														Sleeve Assembly		1		01-C	126HB
	48		87-46-575														Strap Assembly		1		01-C	126HB
	49		87-50-044														Eyebolt		4		01-C	126HB
	33		AN960-416														Washer		4		04-A	128

RESTRICTED

185

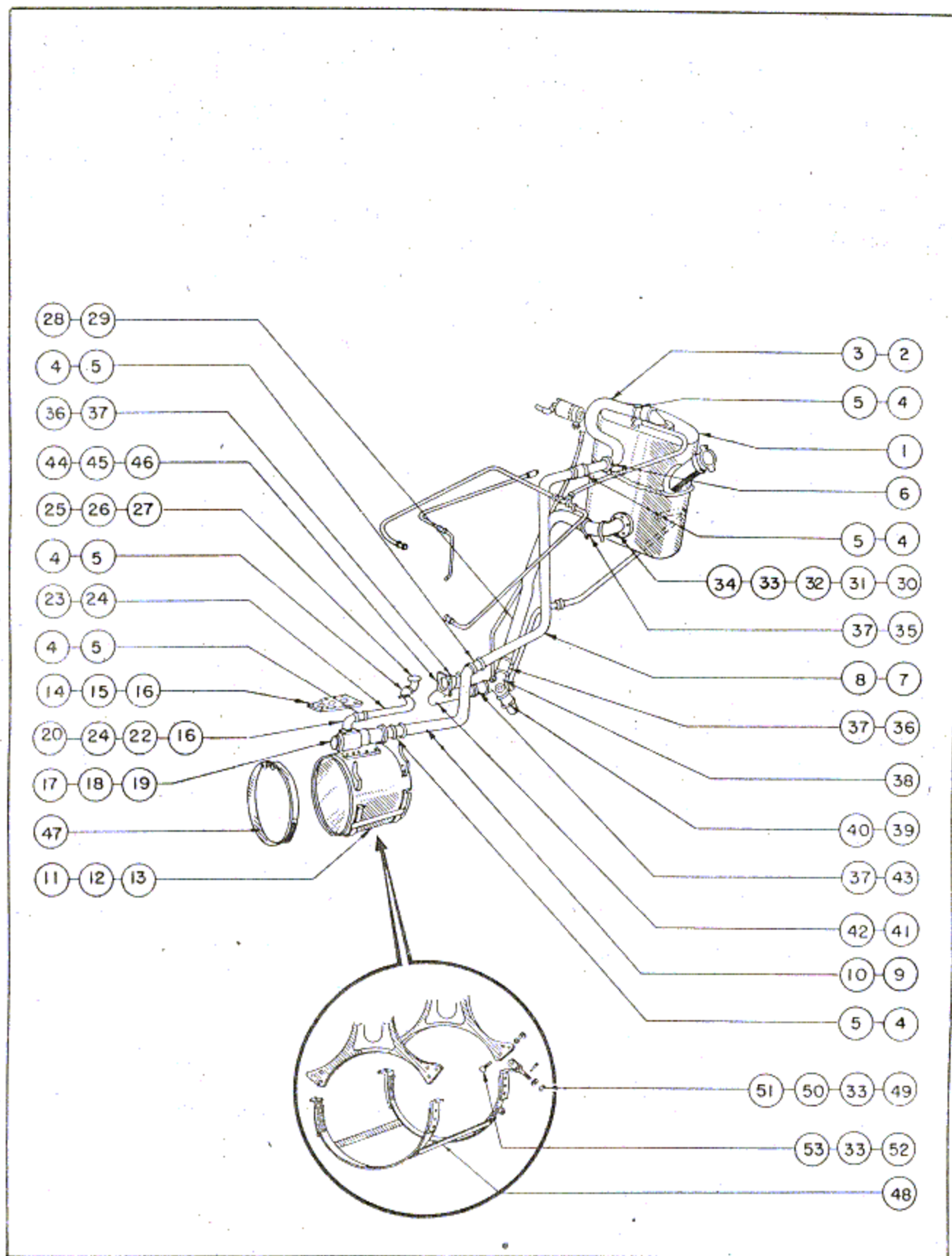


Figure 87—Oil System

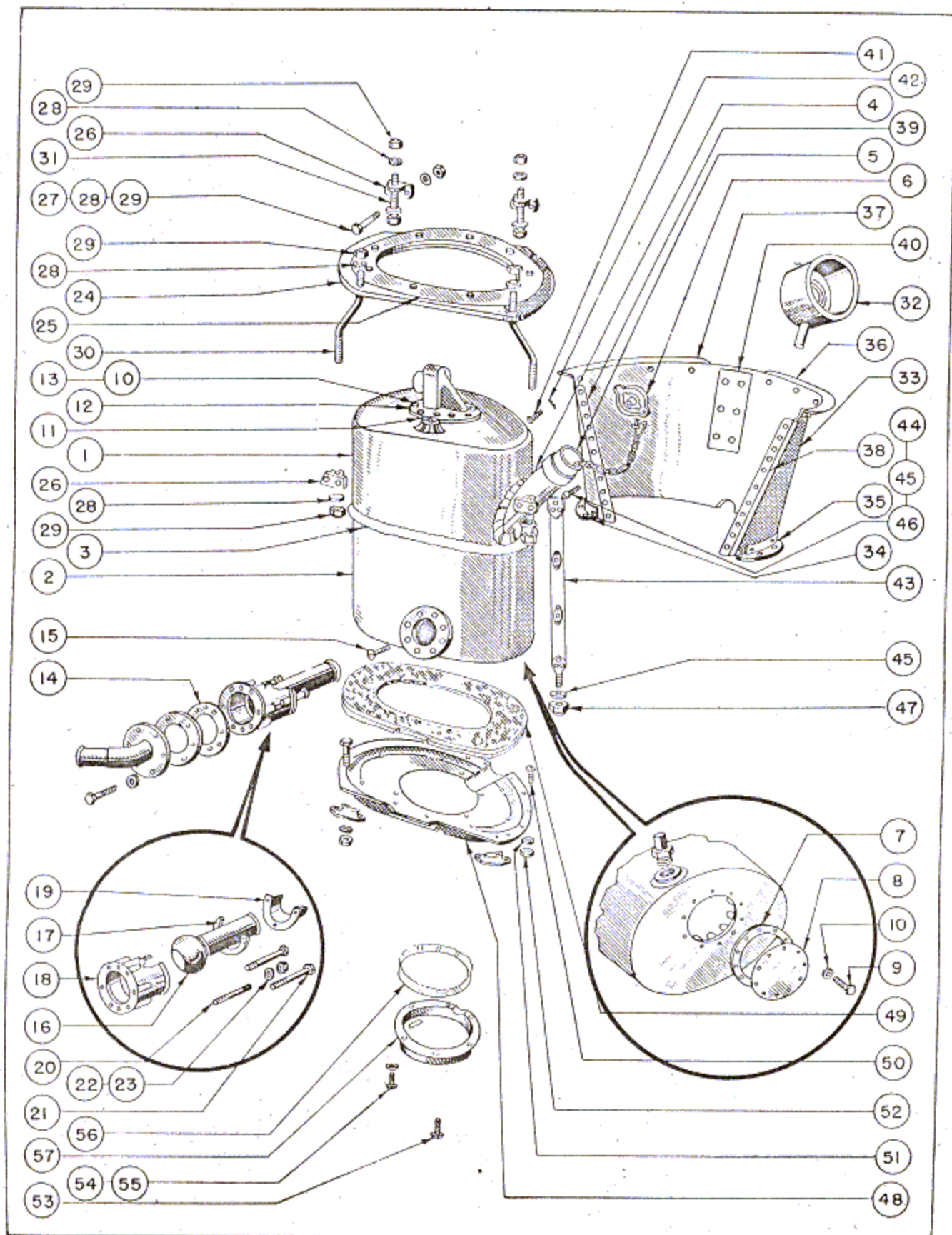


Figure 88—Oil Tank Assembly

RESTRICTED
T. O. No. 01-25C-4

SECTION II—GROUP ASSEMBLY PARTS LISTS

FIG. NO.	INDEX NO.	STOCK #	GROUP - POWER PLANT						UNITS PER ASSY	PROPERTY CLASSIFICATION		
			MAJOR ASSEMBLY - OIL TANK ASSEMBLY (Cont.)							U.S. NAVY	U.S. ARMY	BRITISH
			PART NUMBER	1	2	3	4	5				
88	33		87-430-1000-2						1		01-C	126HB
	34		87-430-1000-7					Weld Assembly	1		01-C	126HB
	35		87-430-1000-8					Angle	1		01-C	126HB
	36		87-430-1000-11L					Angle L.H.	1		01-C	126HB
	37		87-430-1000-11R					Angle R.H.	1		01-C	126HB
	38		87-430-1000-12L					Angle L.H.	1		01-C	126HB
	39		87-430-1000-12R					Angle R.H.	1		01-C	126HB
	40		87-430-1019					Block	1		01-C	126HB
	41		530-10-8					Screw	12		29	128
	42		1779-M-1					Speed Nut (1123-D-5)	12		04-A	126HB
	43		87-43-1016					Strap Assembly	1		01-C	126HB
	44		AN24-20A					Bolt	1		04-A	128
	45		AN960-D-416					Washer	1		04-A	128
	46		364-428					Nut	1		04-A	128
	45		AN960-D-416					Washer	1		04-A	128
	47		365-428					Nut	1		04-A	128
			87-430-1015					Cradle Assembly	1		01-C	126HB
	48		87-450-1012					Cradle	1		01-C	126HB
	49		87-46-935					Felt Pad	1		01-C	126HB
	50		AN525-10-10					Screw	8		29	128
	51		AN960-10					Washer	17		04-A	128
	52		365-1032					Nut	8		04-A	128
	53		AN525-10-12					Screw	1		29	128
	54		AN525-10-9					Screw	5		29	128
	55		AN960-D-10					Washer	5		04-A	128
	56		87-46-936					Asbestos	1		01-C	126HB
	57		87-46-933					Mount	1		01-C	126HB

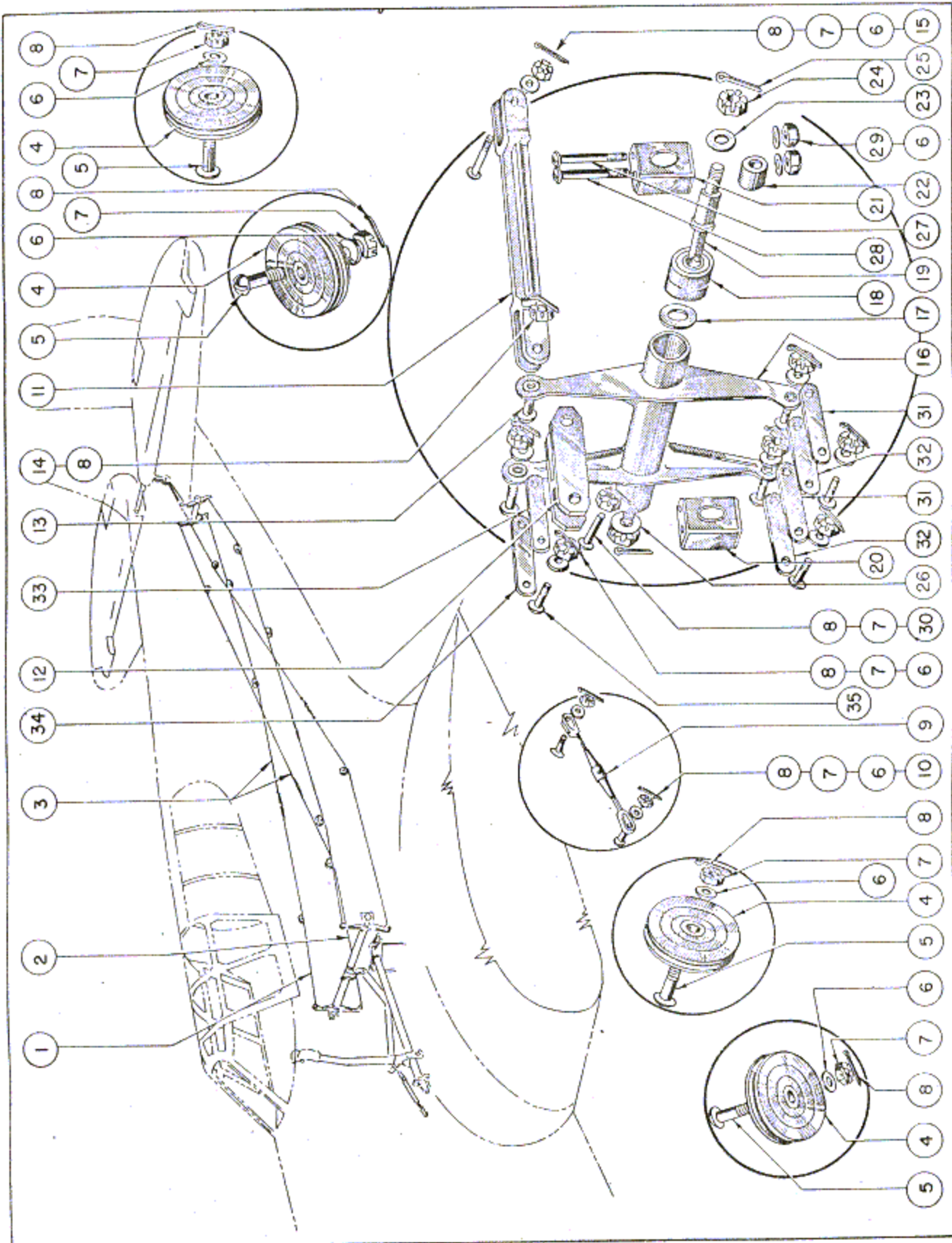


Figure 89—Elevator Controls

RESTRICTED
T.O. No. 01-25C-4
SECTION II—GROUP ASSEMBLY PARTS LISTS

FIG. NO.	INDEX NO.	S T O C K I D	GROUP - FIXED EQUIPMENT						UNITS PER ASSY	PROPERTY CLASSIFICATION		
			MAJOR ASSEMBLY - FLIGHT CONTROLS INSTALLATION							U.S. NAVY	U.S. ARMY	BRITISH
			PART NUMBER	1	2	3	4	5				
89			87-64-902						1		01-C	126HB
	1		85731-59.875						2		01-C	126HB
	2		85731-62.125						2		01-C	126HB
	3		85731-99.875						4		01-C	126HB
	4		AN210-3A						10		04-A	128
	5		AN24-15						10		04-A	128
	6		AN960-416						10		04-A	128
	7		AN320-4						10		04-A	128
	8		AN380-C2-2						10		29	128
	9		150-328						4		04-A	128
	10		AN24-12						8		04-A	128
	7		AN320-4						8		04-A	128
	8		AN380-C2-2						8		29	128
	11		75-64-D12						1		01-C	126HB
	12		75-64-116						1		01-C	126HB
	13		75-64-112						1		01-C	126HB
	14		75-64-111						1		01-C	126HB
	8		AN380-C2-2						1		29	128
	15		AN24-18						1		04-A	128
	6		AN960-416						1		04-A	128
	7		AN320-4						1		04-A	128
	8		AN380-C2-2						1		29	128
			87-64-003						1		01-C	126HB
	16		87-64-037						1		01-C	126HB
	17		75-31-069-1/2-7/8						1		01-C	126HB
	18		AN201-K8-A						4		29	128
	19		87-64-036						1		01-C	126HB
	20		75-64-096-1						1		01-C	126HB
	21		75-64-096-2						1		01-C	126HB
	22		75-64-098						1		01-C	126HB
	23		940-616						1		29	128
	24		AN320-6						1		04-A	128
	25		AN380-C3-3						2		29	128
	26		AN960-616						1		04-A	128
	24		AN320-6						1		04-A	128
	25		AN380-C3-3						1		29	128
	27		AN24-31A						2		04-A	128
	28		AN24-32A						2		04-A	128
	6		AN960-416						4		04-A	128
	29		364-428						4		04-A	128
	30		AN24-21						1		04-A	128
	7		AN320-4						1		04-A	128
	8		AN380-C2-2						1		29	128
	31		81-64-023-1						2		01-C	126HB
	32		81-64-023-2						2		01-C	126HB
	33		87-64-048-1						1		01-C	126HB
	34		87-64-048-2						1		01-C	126HB
	35		AN24-11						6		04-A	128
	6		AN960-416						6		04-A	128
	7		AN320-4						6		04-A	128
	8		AN380-C2-2						6		29	128

RESTRICTED

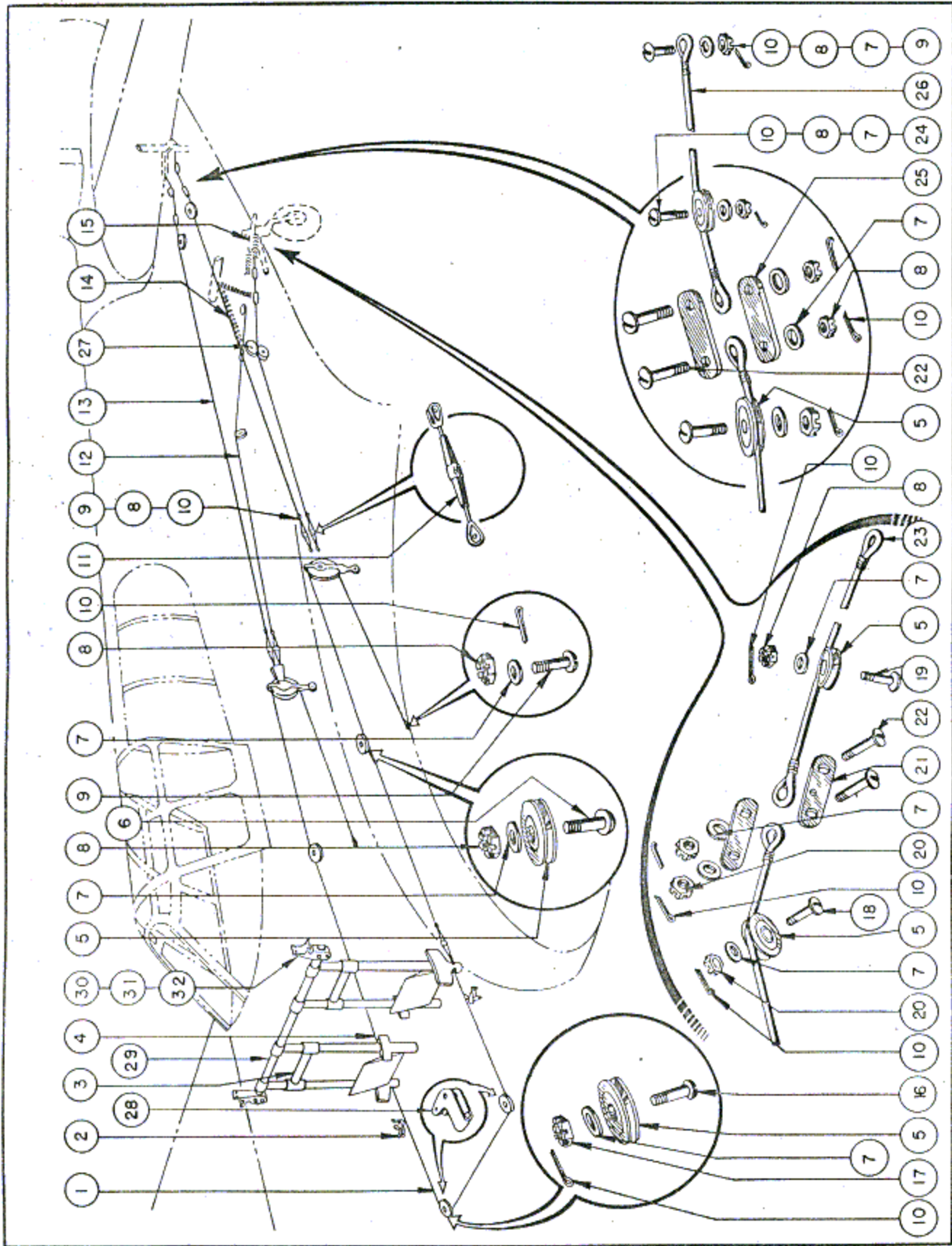


Figure 90—Rudder Controls

RESTRICTED
T. O. No. 01-25C-4
SECTION II—GROUP ASSEMBLY PARTS LISTS

FIG. NO.	INDEX NO.	STOCK #	GROUP - FIXED EQUIPMENT						UNITS PER ASSY	PROPERTY CLASSIFICATION			
			MAJOR ASSEMBLY - RUDDER CONTROLS							NOMENCLATURE	U.S. NAVY	U.S. ARMY	BRITISH
			PART NUMBER	1	2	3	4	5					
90			87-64-902						Flight Controls	A - up		01-C	126HB
	1		85731-60						Cable Assembly		1	01-C	126HB
	2		87-64-514L						Stop Rudder Pedal			01-C	126HB
			87-64-514R						Stop Rudder Pedal			01-C	126HB
	3		87-63-501L						Pedal Assembly		1	01-C	126HB
			87-63-501R						Pedal Assembly		1	01-C	126HB
	4		85731-133.375						Cable Assembly		1	01-C	126HB
	5		AN210-3A						Pulley		1	04-A	128
	6		AN24-14						Bolt		2	04-A	128
	7		AN960-416						Washer		2	04-A	128
	8		AN320-4						Nut		2	04-A	128
	9		AN24-12						Bolt		2	04-A	128
	7		AN960-416						Washer		2	04-A	128
	8		AN320-4						Nut		2	04-A	128
	10		AN380-C2-2						Cotter Pin		2	29	128
	11		150-328						Turnbuckle		4	04-A	128
	9		AN24-12						Bolt		4	04-A	128
	8		AN320-4						Nut		4	04-A	128
	10		AN380-C2-2						Cotter Pin		4	29	128
	12		85731-55.5						Cable Assembly		2	01-C	126HB
	13		85731-118-625						Cable Assembly		2	01-C	126HB
	14		47630						Spring		2	01-C	126HB
	15		75-37-076						Spring Assembly			01-C	126HB
	5		AN210-3A						Pulley		2	04-A	128
	16		AN4-10						Bolt		2	04-A	128
	7		AN960-416						Washer		2	04-A	128
	17		AN310-4						Nut		2	04-A	128
	10		AN380-C2-2						Cotter Pin		2	29	128
	5		AN210-3A						Pulley		4	04-A	128
	18		AN4-13						Bolt		2	04-A	128
	19		AN24-18						Bolt		2	04-A	128
	7		AN960-416						Washer		8	04-A	128
	20		AN310-4						Nut		2	04-A	128
	8		AN320-4						Nut		2	04-A	128
	10		AN380-C2-2						Cotter Pin		4	29	128
	21		87-64-051						Link		4	01-C	126HB
	22		AN24-11						Bolt		4	04-A	128
	7		AN960-416						Washer		4	04-A	128
	20		AN310-4						Nut		4	04-A	128
	10		AN380-C2-2						Cotter Pin		4	29	128
	23		85731-30.500						Cable Assembly		2	01-C	126HB
	5		AN210-3A						Pulley		6	04-A	128
	24		AN24-15						Bolt		6	04-A	128
	7		AN960-416						Washer		6	04-A	128
	8		AN320-4						Nut		6	04-A	128
10		AN380-C2-2						Cotter Pin		6	29	128	
25		75-64-113						Plate		4	01-C	126HB	
22		AN24-11						Bolt		4	04-A	128	
7		AN960-416						Washer		4	04-A	128	
8		AN320-4						Nut		4	04-A	128	
10		AN380-C2-2						Cotter Pin		4	29	128	
26		85731-19.0937						Cable Assembly		2	01-C	126HB	
9		AN24-12						Bolt		2	04-A	128	
7		AN960-416						Washer		2	04-A	128	
8		AN320-4						Nut		2	04-A	128	
10		AN380-C2-2						Cotter Pin		2	29	128	
27		86554						Bearing		2	01-C	126HB	

RESTRICTED

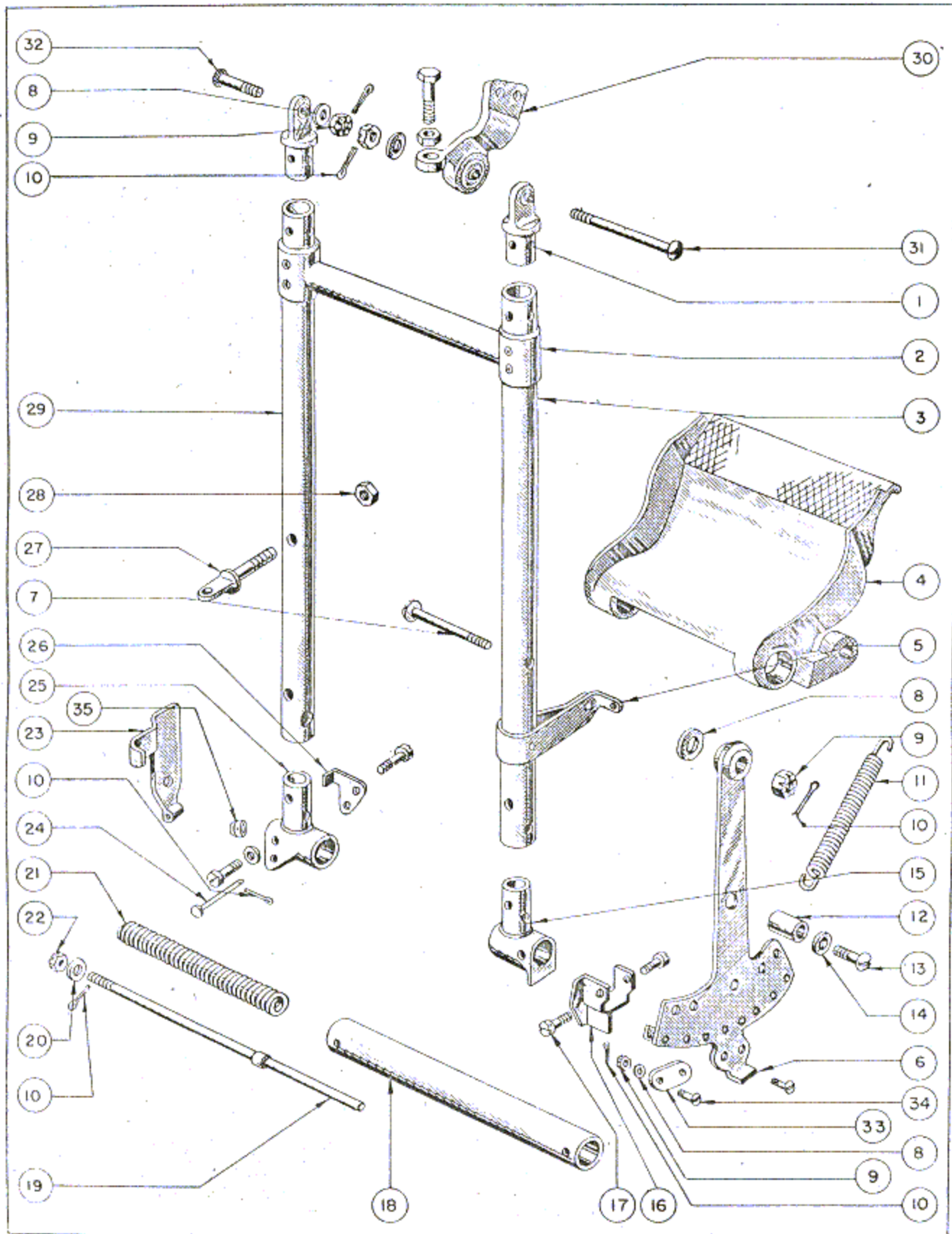


Figure 91—Rudder Pedal

RESTRICTED
T. O. No. 01-25C-4
SECTION II—GROUP ASSEMBLY PARTS LISTS

FIG. NO.	INDEX NO.	GROUP-FIXED EQUIPMENT						UNITS PER ASSY	PROPERTY CLASSIFICATION		
		MAJOR ASSEMBLY - RUDDER CONTROLS (Cont.)							U.S. NAVY	U.S. ARMY	BRITISH
		PART NUMBER	1	2	3	4	5				
90	28	75-64-093			Bracket			2		01-C	126HB
	29	87-210-1028			Support Assembly - Cross Tube			1		01-C	126HB
	30	87-21-538			Support			2		01-C	126HB
	31	AN4-21A			Bolt			2		04-A	128
	32	364-428			Nut			2		04-A	128
FIG. NO.	INDEX NO.	GROUP - FIXED EQUIPMENT						UNITS PER ASSY	PROPERTY CLASSIFICATION		
		MAJOR ASSEMBLY - RUDDER PEDAL							U.S. NAVY	U.S. ARMY	BRITISH
		PART NUMBER	1	2	3	4	5				
91		87-64-902			Flight Controls Installation A - up					01-C	126HB
		87-63-501L			Pedal Assembly					01-C	126HB
		87-63-501R			Pedal Assembly					01-C	126HB
	1	75-63-005			Tube End			2		01-C	126HB
	2	75-63-009			Brace			1		01-C	126HB
	3	75-63-502-2			Tube			1		01-C	126HB
	4	87-63-514L			Treadle - L.H.			1		01-C	126HB
		87-63-514R			Treadle - R.H.			1		01-C	126HB
	5	75-63-010-2L			Lug Assembly - L.H.			1		01-C	126HB
		75-63-010-2R			Lug Assembly - R.H.			1		01-C	126HB
	6	87-63-504			Plate			1		01-C	126HB
	7	AN24-31			Bolt			1		04-A	128
	8	AN960-416			Washer			1		04-A	128
	9	AN320-4			Nut			1		04-A	128
	10	AN380-C2-2			Cotter Pin			1		29	128
	11	78291-1			Spring			1		01-C	126HB
	12	1026-D.313-.281			Spacer			1		01-C	126HB
	13	AN520-10-10			Screw			1		29	128
	14	AN960-10			Washer			1		04-A	128
	15	75-63-007-2			Socket			1		01-C	126HB
	16	87-63-513L			Stop Assembly - L.H.			1		01-C	126HB
		87-63-513R			Stop Assembly - R.H.			1		01-C	126HB
	17	58234-2			Screw			4		01-C	126HB
	18	58520-1			Tube			1		01-C	126HB
	19	58220-1			Pin			1		29	126HB
	20	58200			Washer			1		01-C	126HB
	21	FX-28549			Spring			1		04-A	128
	22	AN310-3			Nut			1		29	128
	10	AN380-C2-2			Cotter Pin			1		01-C	126HB
	23	58201-1L			Pedal - L.H.			1		01-C	126HB
		58201-1R			Pedal - R.H.			1		01-C	126HB
	24	AN392-43			Pin			1		04-A	126HB
	10	AN380-C2-2			Cotter Pin			1		29	128
	25	75-63-007-1			Socket - Inner			1		01-C	126
	26	87-63-506L			Plate			1		01-C	126HB
		87-63-506R			Plate			1		01-C	126HB
	27	75-63-004			Eyebolt			1		01-C	126HB
	28	AN345-10			Nut			1		29	128
	29	87-63-502-1			Tube			1		01-C	126HB
	30	87-32-505L			Bellcrank			1		01-C	126HB
		87-32-505R			Bellcrank			1		01-C	126HB
	31	AN24-34			Bolt			2		04-A	128
	32	AN24-20			Bolt			2		04-A	128
	8	AN960-416			Washer			4		04-A	128
	9	AN320-4			Nut			4		04-A	128
	10	AN380-C2-2			Cotter Pin			4		29	128
	33	75-64-113			Plate			2		01-C	126HB
	34	AN24-11			Bolt			4		04-A	128
	8	AN960-416			Washer			4		04-A	128
	9	AN320-4			Nut			4		04-A	128
	10	AN380-C2-2			Cotter Pin			4		29	128
	35	58239-1			Block			2		01-C	126HB

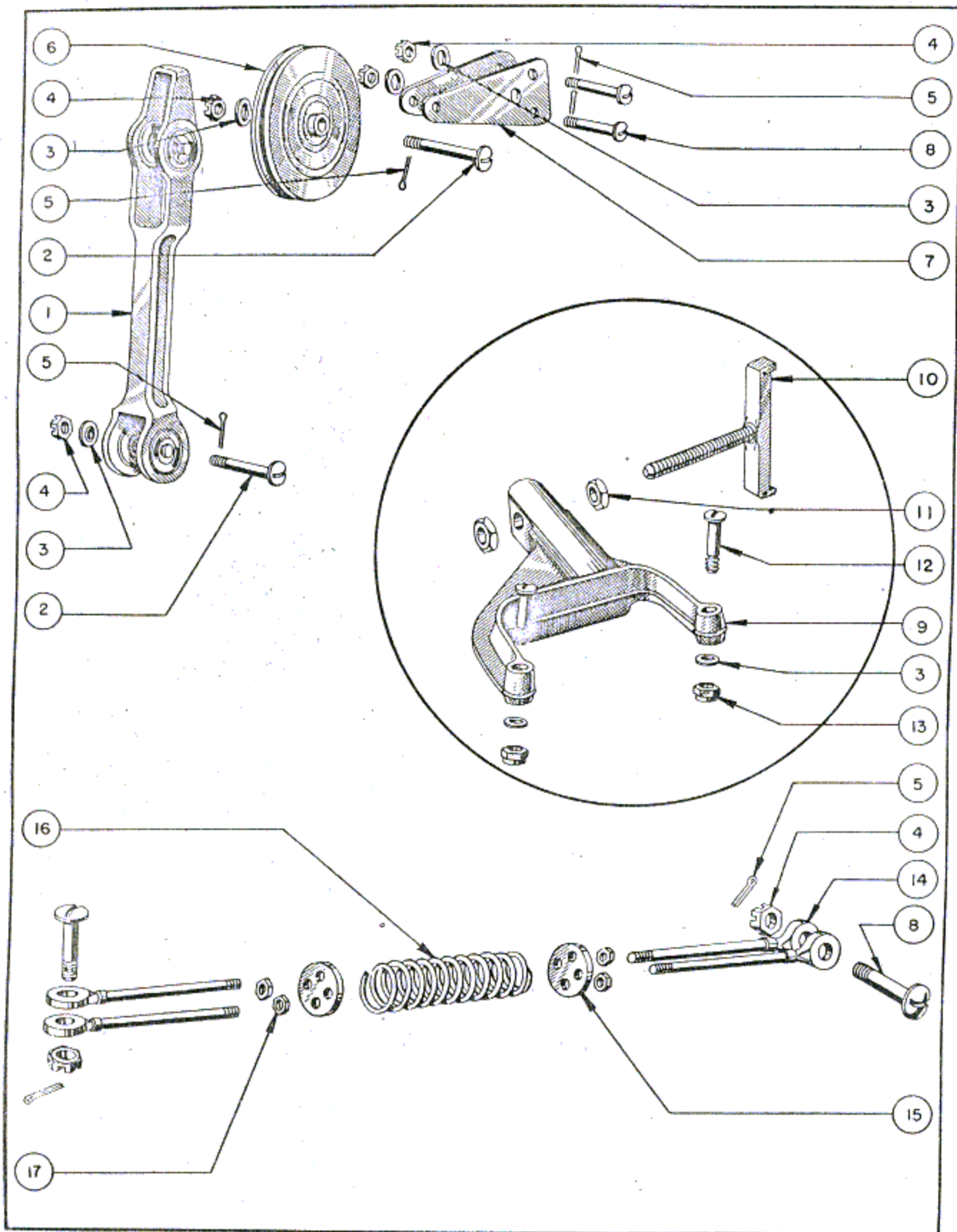


Figure 92—Rudder Controls—Component Parts

RESTRICTED
T. O. No. 01-25C-4
SECTION II—GROUP ASSEMBLY PARTS LISTS

FIG. NO.	INDEX NO.	STOCK #	GROUP - FIXED EQUIPMENT						UNITS PER ASSY	PROPERTY CLASSIFICATION		
			MAJOR ASSEMBLY - RUDDER CONTROLS - COMPONENT PARTS							U.S. NAVY	U.S. ARMY	BRITISH
			PART NUMBER	1	2	3	4	5				
92			87-64-902	Flight Controls Installation A - up							01-C	126HB
	1		87-64-016	Arm						2	01-C	126HB
	2		AN24-24	Bolt						2	04-A	128
	3		AN960-416	Washer						2	04-A	128
	4		AN320-4	Nut						2	04-A	128
	5		AN380-C2-2	Cotter Pin						2	29	128
	6		AN210-4A	Pulley						2	04-A	128
	2		AN24-24	Bolt						2	04-A	128
	3		AN960-416	Washer						2	04-A	128
	4		AN320-4	Nut						2	04-A	128
	5		AN380-C2-2	Cotter Pin						2	29	128
	7		87-64-017	Link						2	01-C	126HB
	8		AN24-15	Bolt						2	04-A	128
	3		AN960-416	Washer						2	04-A	128
	4		AN320-4	Nut						2	04-A	128
	5		AN380-C2-2	Cotter Pin						2	29	128
	9		87-64-514L	Stop						1	01-C	126HB
			87-64-514R	Stop						1	01-C	126HB
	10		75-64-037	Bolt						1	01-C	126HB
	11		AN316-6R	Nut						2	04-A	128
	12		AN24-20A	Bolt						2	04-A	128
	3		AN960-416	Washer						2	04-A	128
	13		364-416	Nut						2	04-A	128
			75-37-076	Spring Assembly						2	01-C	126HB
	14		75-37-075	Eyebolt						4	01-C	126HB
	15		58392	Washer						2	01-C	126HB
	16		58393	Spring						1	01-C	126HB
	17		AN345-10	Nut						4	29	128
	8		AN24-15	Bolt						2	04-A	128
	4		AN320-4	Nut						2	04-A	128
5		AN380-C2-2	Cotter Pin						2	29	128	

FIG. NO.	INDEX NO.	STOCK #	GROUP - FIXED EQUIPMENT						UNITS PER ASSY	PROPERTY CLASSIFICATION		
			MAJOR ASSEMBLY - CONTROL STICK ASSEMBLY							U.S. NAVY	U.S. ARMY	BRITISH
			PART NUMBER	1	2	3	4	5				
93			87-64-902	Flight Controls Installation A - up							01-C	126HB
	1		75-64-004	Stop Assembly						1	01-C	126HB
	2		75-64-105	Link						1	01-C	126HB
	3		AN25-17	Bolt						1	04-A	128
	4		AN960-516	Washer						1	04-A	128
	5		AN320-5	Nut						1	04-A	128
	6		AN380-C2-2	Cotter Pin						1	29	128
	7		75-64-101	Strut - Female						1	01-C	126HB
	8		AN316-12R	Nut						1	04-A	128
	9		75-64-102	Bushing						1	01-C	126HB
	10		75-64-103	Strut - Female						1	01-C	126HB
	11		AN316-7R	Nut						1	04-A	128
	12		75-64-104	Clevis						1	01-C	126HB
	13		AN25-13	Bolt						2	04-A	128
	14		AN960-416	Washer						2	04-A	128
5		AN320-4	Nut						2	04-A	128	
		AN380-C2-2	Cotter Pin						2	29	128	
		87-62-501	Stick Assembly						1	01-C	126HB	
15		87-62-512	Socket						1	01-C	126HB	

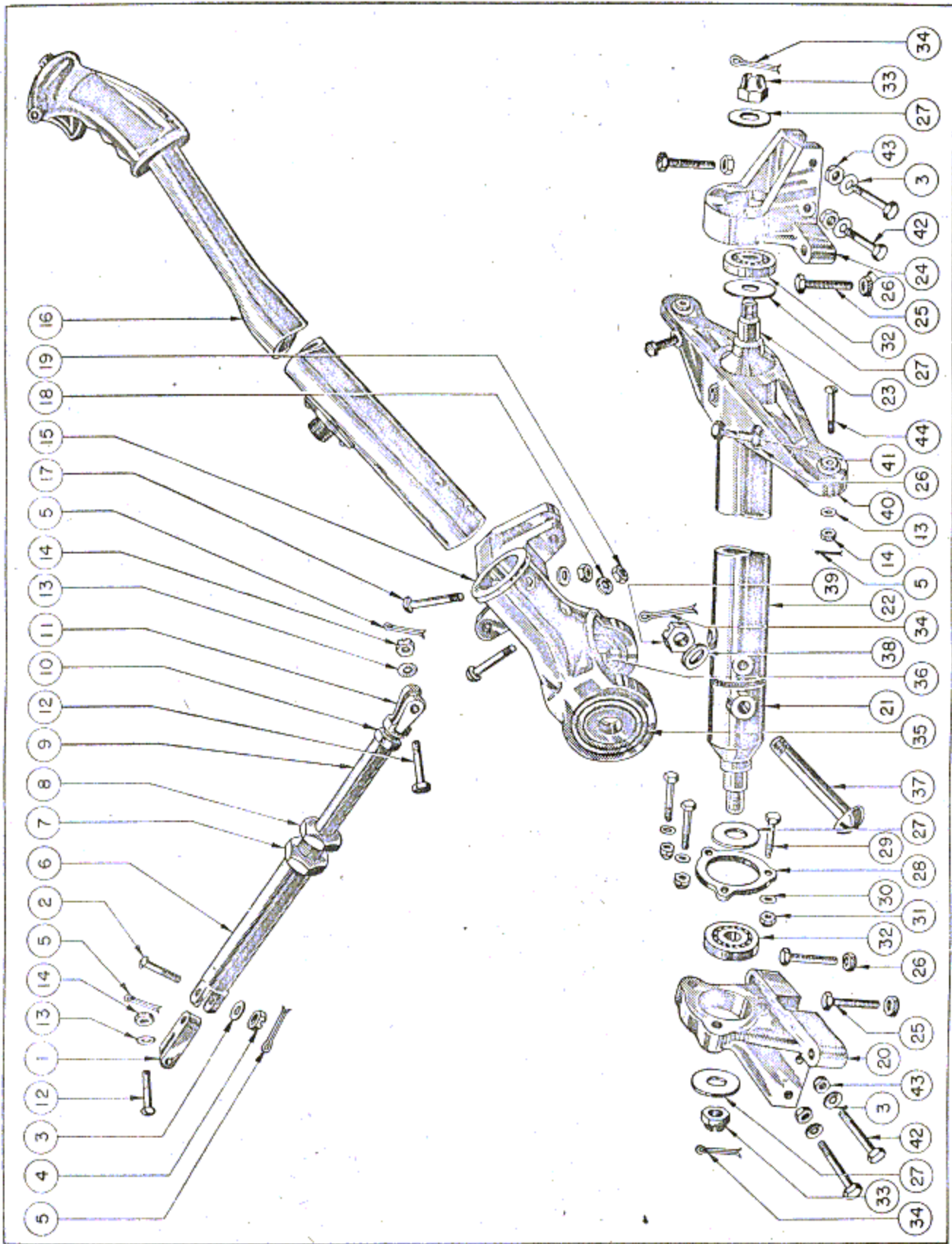


Figure 93—Control Stick Assembly

RESTRICTED
T. O. No. 01-25C-4
SECTION II—GROUP ASSEMBLY PARTS LISTS

FIG. NO.	INDEX NO.	STOCKED	GROUP - FIXED EQUIPMENT						UNITS PER ASSY	PROPERTY CLASSIFICATION			
			MAJOR ASSEMBLY CONTROL STICK ASSEMBLY (Cont.)							U.S. NAVY	U.S. ARMY	BRITISH	
			PART NUMBER	1	2	3	4	5					6
93	16		87-62-515						Stick	1		01-C	126HB
	17		AN24-32A						Bolt	2		04-A	128
	18		AN960-D416						Washer	2		04-A	128
	19		364-428						Nut	2		04-A	128
	20		87-62-016						Block	1		01-C	126HB
	21		87-62-516						End	1		01-C	126HB
	22		75-62-019						Tube	1		01-C	126HB
	23		75-62-017						End	1		01-C	126HB
	24		87-62-017						Block	1		01-C	126HB
	25		72891-13						Bolt	4		01-C	126HB
	26		AN316-4R						Nut	4		04-A	128
	27		75-62-018						Washer	4		01-C	126HB
	28		75-62-020-1						Plate	1		01-C	126HB
	29		AN3-10A						Bolt	3		04-A	128
	30		AN960-10L						Washer	3		04-A	128
	31		365-1032						Nut	3		04-A	128
	32		65356-1						Bearing	2		29	126HB
	33		AN310-7						Nut	2		04-A	128
	34		AN380-C3-3						Cotter Pin	2		29	128
	35		0166510-2						Bushing	2		01-C	126HB
	36		AN200-K6						Bearing	2		29	128
	37		AN26-56						Bolt	1		04-A	128
	38		AN960-C616						Washer	1		04-A	128
	39		AN320-6						Nut	1		04-A	128
	34		AN380-C3-3						Cotter Pin	1		29	128
			75-62-021						Horn Assembly	1		01-C	126HB
	40		75-62-021-1						Horn	1		01-C	126HB
	41		1068-DSAU-23						Bolt	2		01-C	126HB
	26		AN316-4R						Nut	2		04-A	128
	42		AN5-16A						Bolt	4		04-A	128
	3		AN960-516						Washer	4		04-A	128
	13		365-524						Nut	4		04-A	128
	44		AN24-14						Bolt	2		04-A	128
	13		AN960-416						Washer	2		04-A	128
	14		AN320-4						Nut	2		04-A	128
	5		AN380-C2-2						Cotter Pin	2		29	128

FIG. NO.	INDEX NO.	STOCKED	GROUP - FIXED EQUIPMENT						UNITS PER ASSY	PROPERTY CLASSIFICATION			
			MAJOR ASSEMBLY - ROD AND JACKSHAFT ASSEMBLY							U.S. NAVY	U.S. ARMY	BRITISH	
			PART NUMBER	1	2	3	4	5					6
94			87-64-902						Flight Control			01-C	126HB
	1		87-64-509						Rod Assembly	1		01-C	126HB
	2		75-64-048-1						Yoke	1		01-C	126HB
	3		87-64-572						Tube	1		01-C	126HB
	4		75-64-049-1						End	1		01-C	126HB
	5		EX48823						Nut	1		01-C	126HB
	6		EX48825-1						Ball	1		01-C	126HB
	7		EX48824-1						Bearing	1		01-C	126HB
	8		AN380-C2-4						Cotter Pin	2		29	126HB
	9		AN5-21						Bolt	1		04-A	128
	10		AN960-516						Washer	1		04-A	128
	11		AN310-5						Nut	1		04-A	128
	12		AN380-C2-2						Cotter Pin	1		29	128
	10		AN5-14						Bolt	1		04-A	128
	11		AN310-5						Nut	1		04-A	128
	11		AN380-C2-2						Cotter Pin	1		29	128
	13		58196						Washer	2		01-C	126HB

RESTRICTED

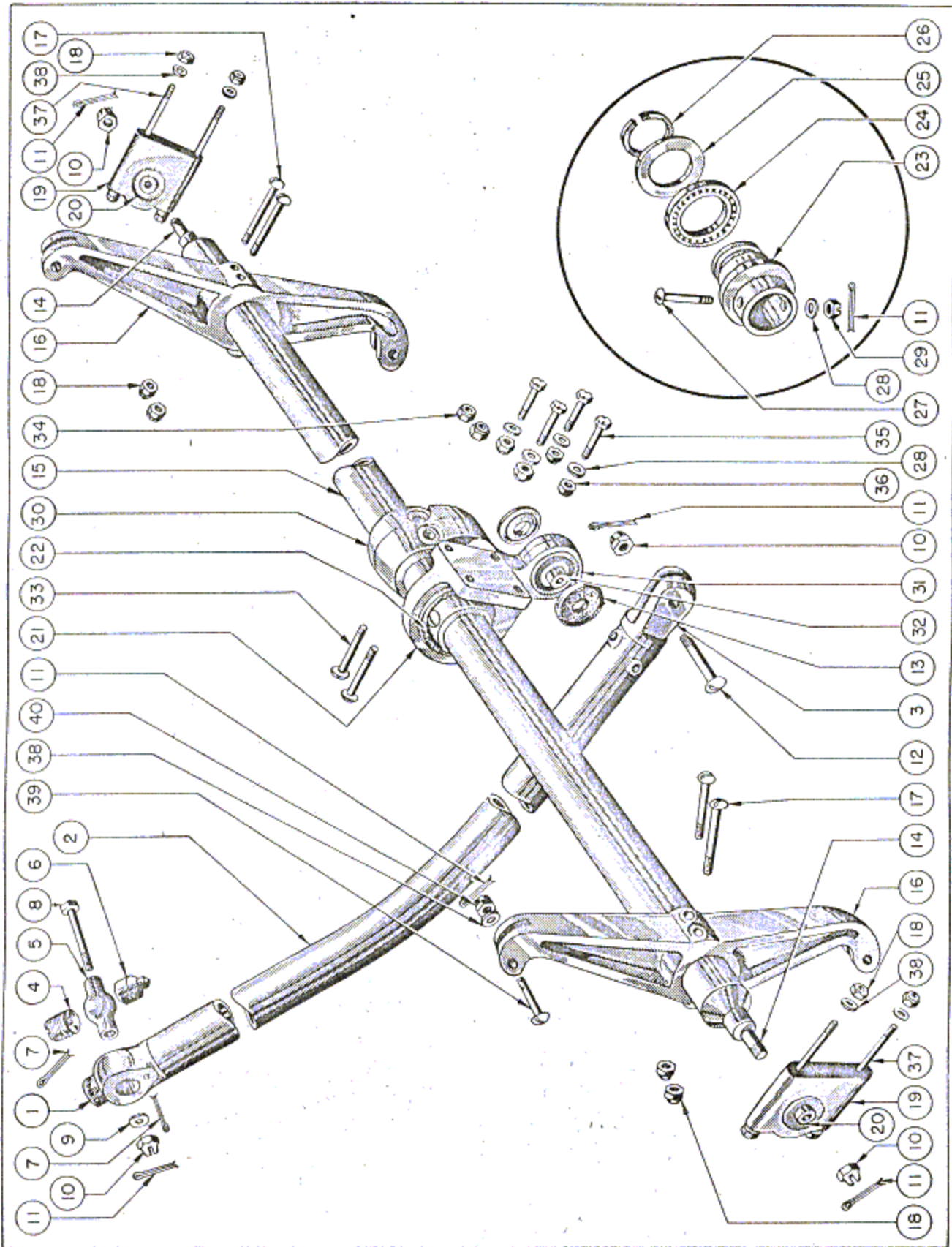


Figure 94—Rod and Jackshaft Assembly

RESTRICTED
T. O. No. 01-25C-4

SECTION II—GROUP ASSEMBLY PARTS LISTS

FIG. NO.	INDEX NO.	STOCK KEY	GROUP - FIXED EQUIPMENT						UNITS PER ASSY	PROPERTY CLASSIFICATION			
			MAJOR ASSEMBLY - ROD AND JACKSHAFT ASSEMBLY (Cont.)							U.S. NAVY	U.S. ARMY	BRITISH	
			PART NUMBER	1	2	3	4	5					6
94			87-64-510						1		01-C	126HB	
	14		75-64-039					End	2		01-C	126HB	
	15		87-64-541					Tube	1		01-C	126HB	
	16		75-64-040					Horn	2		01-C	126HB	
	17		AN24-40A					Bolt	4		04-A	128	
	18		365-428					Nut	4		04-A	128	
				75-64-045					Block Assembly	2		01-C	126HB
	19		75-64-045-1					Block	1		01-C	126HB	
	20		AN200-K5						Ball Bearing	1		29	128
	10		AN310-5						Nut	2		04-A	128
	11		AN380-C2-2						Cotter Pin	2		29	128
	21		87-64-575						Block	1		01-C	126HB
	22		87-64-574						Washer	2		01-C	126HB
	23		87-64-576						Collar	1		01-C	126HB
	24		59450-3						Bearing	1		29	126HB
	25		75-64-089-1 37/64						Washer	1		01-C	126HB
				-1 63/64									
	26		75-25-026-.125						Lock Ring	1		01-C	126HB
				-1.482									
	27		AN23-30						Bolt	1		04-A	128
	28		AN960-10						Washer	1		04-A	128
	29		AN320-3						Nut	1		04-A	128
	11		AN380-C2-2						Cotter Pin	1		29	128
				75-64-038					Bell Crank Assembly	1		01-C	126HB
	30		75-64-038-1						Bell Crank	1		01-C	126HB
	31		58197						Bearing	1		29	126HB
	32		58191						Spacer	1		01-C	126HB
	33		AN25-38A						Bolt	2		04-A	128
	34		364-524						Nut	2		01-C	128
	35		AN3-21A						Bolt	4		04-A	128
	28		AN960-10						Washer	4		04-A	128
	36		365-1032						Nut	4		01-C	128
	37		AN4-41A						Bolt	4		04-A	128
	38		AN960-416						Washer	4		04-A	128
18		365-428						Nut	4		04-A	128	
39		AN24-16						Bolt	4		04-A	128	
38		AN960-416						Washer	4		04-A	128	
40		AN320-4						Nut	4		04-A	128	
11		AN380-C2-2						Cotter Pin	4		29	128	

FIG. NO.	INDEX NO.	STOCK KEY	GROUP - FIXED EQUIPMENT						UNITS PER ASSY	PROPERTY CLASSIFICATION		
			MAJOR ASSEMBLY - TRIM TAB CONTROL							U.S. NAVY	U.S. ARMY	BRITISH
			PART NUMBER	1	2	3	4	5				
95			87-64-902								01-C	126HB
	1		87-64-006						1		01-C	126HB
	2		75-64-007-1						1		01-C	126HB
	3		75-64-082-1						1		01-C	126HB
	4		75-64-007-2						1		01-C	126HB
	5		87-64-015						1		01-C	126HB
	6		364-1032						2		04-A	128
	7		75-64-081						1		01-C	126HB
	8		75-64-085						2		01-C	126HB
	9		87-64-016						1		01-C	126HB
	10		AN23-18						1		04-A	128
	11		AN960-D10						1		04-A	128
	12		AN320-3						1		04-A	128
13		AN380-C2-2						1		29	128	

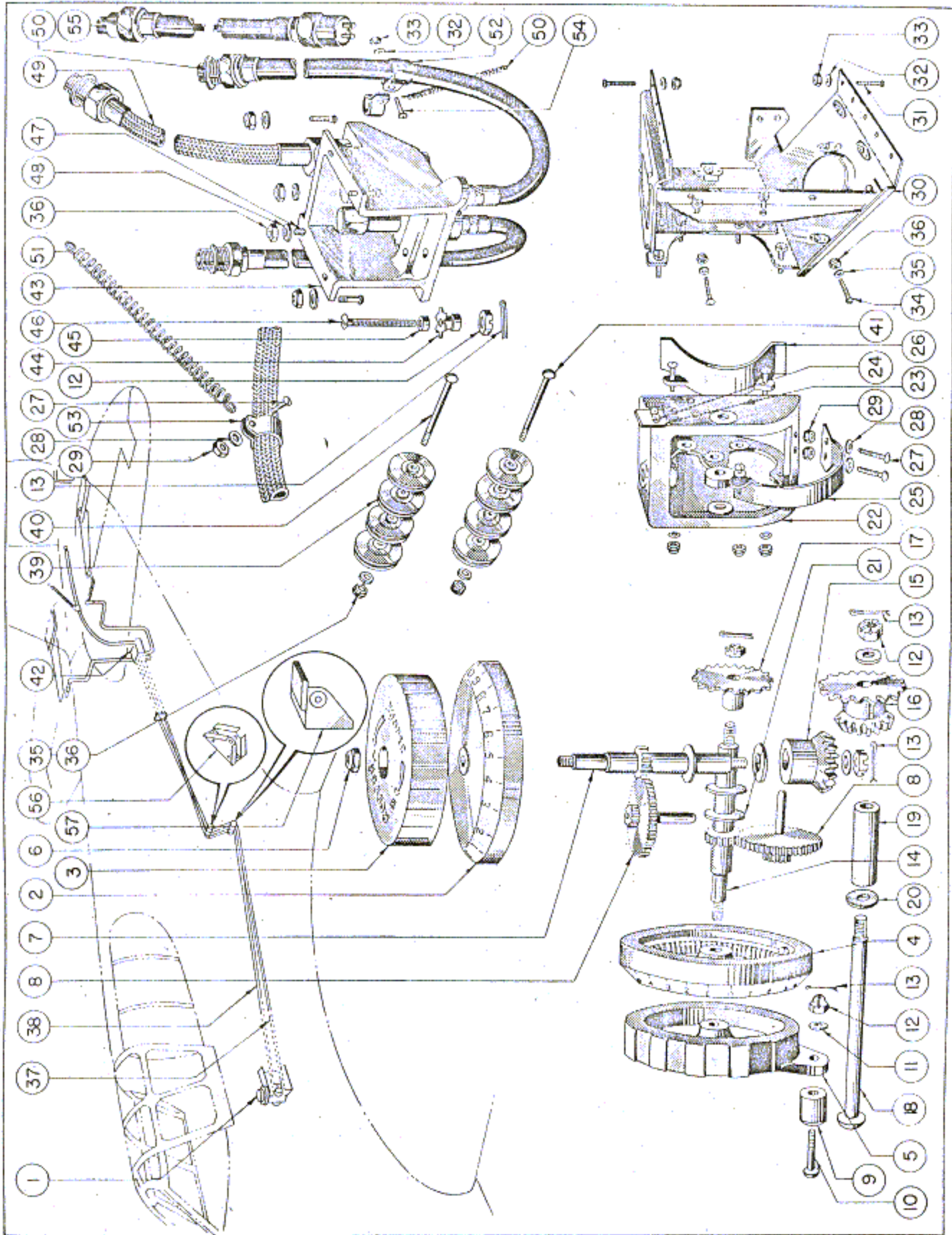


Figure 95—Trim Tab Control

RESTRICTED
T. O. No. 01-25C-4
SECTION II—GROUP ASSEMBLY PARTS LISTS

FIG. NO.	INDEX NO.	SYMBOL	GROUP - FIXED EQUIPMENT						UNITS PER ASSY	PROPERTY CLASSIFICATION			
			MAJOR ASSEMBLY - TRIM TAB CONTROL (Cont.)							U.S. NAVY	U.S. ARMY	BRITISH	
			PART NUMBER	1	2	3	4	5					6
95	14		75-64-080						1		01-C	126HB	
	15		75-64-079						1		01-C	126HB	
	16		75-64-078						1		01-C	126HB	
	17		75-64-086						1		01-C	126HB	
	18		AN24-48						1		04-A	128	
	19		75-64-088-3/8 -1 5/64							1		01-C	126HB
	20		75-31-069-17/64-1/2							2		01-C	126HB
	21		75-64-089-21/64-5/8							3		01-C	126HB
	12		AN320-3							3		04-A	128
	13		AN380-C2-2							3		29	128
	22		75-64-087							1		01-C	126HB
	23		75-64-084							2		01-C	126HB
	24		503-B-4							4		04-A	128
	25		75-64-092-3						Guard - Sprocket	1		01-C	126HB
	26		75-64-092-4						Guard - Sprocket	1		01-C	126HB
	27		AN515-8-8						Screw	5		29	128
	28		AN960-8						Washer	5		04-A	128
	29		365-832						Nut	5		04-A	128
	30		87-64-512						Support Control	1		01-C	126HB
	31		AN515-6-7						Screw	10		29	128
	32		AN960-6						Washer	10		04-A	128
	33		365-632						Nut	10		04-A	128
	34		AN520-10-12						Screw	2		29	128
	35		AN960-10						Washer	2		04-A	128
	36		365-1032						Nut	2		04-A	128
	37		87-64-052-18						Chain & Cable Assembly	1		01-C	126HB
	38		87-64-052-15						Chain & Cable Assembly	1		01-C	126HB
	39		AN210-2A						Pulley	8		04-A	128
	40		AN3-20A						Bolt	1		04-A	128
	41		AN3-16A						Bolt	1		04-A	128
	35		AN960-10						Washer	2		04-A	128
	36		365-1032						Nut	2		04-A	128
	42		75-64-108						Support Assembly	1		01-C	126HB
	43		75-64-108-1						Housing	1		01-C	126HB
	44		75-64-108-3						Sprocket	1		01-C	126HB
	45		75-64-108-2						Spacer	1		04-A	128
	46		AN23-23						Bolt	1		04-A	128
	12		AN320-3						Nut	1		29	128
	13		AN380-C2-2						Cotter Pin	1		29	128
	47		AN3-5A						Bolt	4		04-A	128
	48		AN960-A10						Washer	4		04-A	128
	36		365-1032						Nut	4		04-A	128
	49		75-14-014-13						Flexible Tab Control	1		01-C	126HB
	50		75-14-014-30						Flexible Tab Control	2		01-C	126HB
	51		58766-4 3/4						Spring	2		01-C	126HB
	52		90864-8D						Clamp	2		01-C	126HB
	53		90864-9A						Clamp	1		01-C	126HB
	54		AN515-6-6						Screw	2		29	128
	32		AN960-6						Washer	2		04-A	128
	33		365-632						Nut	2		04-A	128
	55		87-64-912-1						Flexible Shaft Extension	1		01-C	126HB
	56		87-64-020						Bracket - Upper	1		01-C	126HB
	57		87-64-021						Bracket - Lower	1		01-C	126HB

RESTRICTED

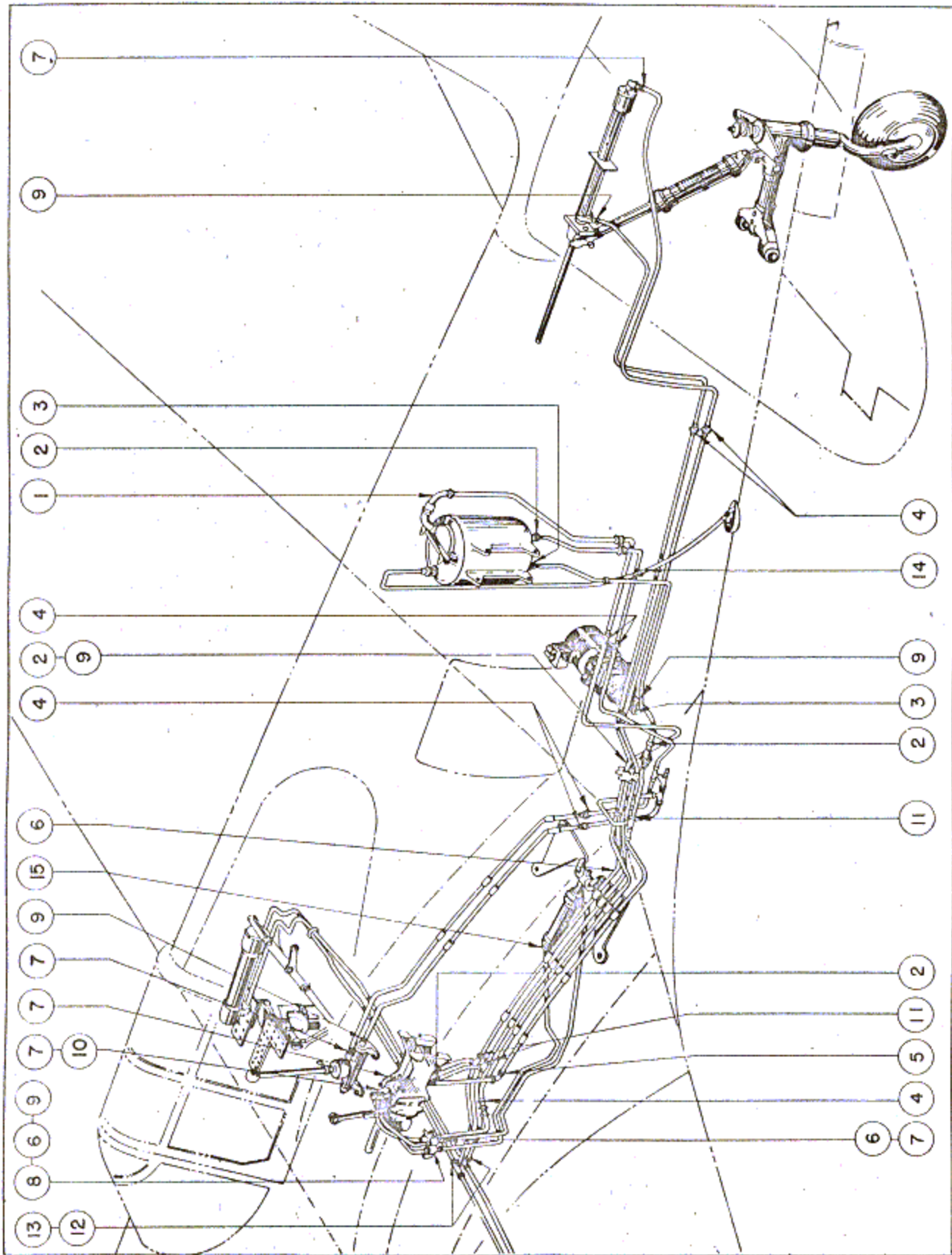


Figure 96—Hydraulic System—Fittings

RESTRICTED
T. O. No. 01-25C-4
SECTION II—GROUP ASSEMBLY PARTS LISTS

FIG. NO.	INDEX NO.	STOCKED	GROUP - FIXED EQUIPMENT						UNITS PER ASSY	PROPERTY CLASSIFICATION						
			MAJOR ASSEMBLY - HYDRAULIC SYSTEM - FITTINGS							U.S. NAVY	U.S. ARMY	BRITISH				
			PART NUMBER	1	2	3	4	5					6	NOMENCLATURE		
96	1		87-33-902							Hydraulic System Installation	A - R	1		01-C	126HB	
			87-33-902-300								Hydraulic System Installation	S - up	1		01-C	126HB
	2		87-33-072							Hose	A - R			01-C	126HB	
			87-33-902-213								Hose	S - up			01-C	126HB
	3		75-33-101-CT45-6-2330								Elbow		5		01-C	126HB
			75-33-101-CT45-8-2330								Elbow		2		01-C	126HB
	4		75-33-101-HT-6-2330								Union		7		01-C	126HB
			75-33-101-FT-6-2330								Elbow		1		01-C	126HB
	6		75-33-101-FT-5-2330								Nipple		4		01-C	126HB
			75-33-101-CT-6-2330								Elbow		5		01-C	126HB
	8		75-33-115								Nipple		1		01-C	126HB
			75-33-FT-6-2330								Nipple		9		01-C	126HB
	10		75-33-101-CT5-2330								Elbow		2		01-C	126HB
			75-33-101-JT-6-2330								Tee		3		01-C	126HB
	12		75-33-101-CCT-6-2330								Elbow		2		01-C	126HB
75-33-101-OT-6-2330										Tee		1		01-C	126HB	
14		75-33-101-HT-4-2330								Union		1		01-C	126HB	
		75-33-101-CT45-5-2330								Elbow		2		01-C	126HB	
			GROUP - FIXED EQUIPMENT						PROPERTY CLASSIFICATION							
FIG. NO.	INDEX NO.	STOCKED	MAJOR ASSEMBLY - HYDRAULIC SYSTEM - EQUIPMENT						UNITS PER ASSY	U.S. NAVY	U.S. ARMY	BRITISH				
			NOMENCLATURE													
			PART NUMBER	1	2	3	4	5					6			
97	1		87-33-902							Hydraulic System Installation	A - R	1		01-C	126HB	
			87-33-902-300								Hydraulic System Installation	S - up	1		01-C	126HB
	2		87-33-503							Valve - Selector		1		01-C	126HB	
			AN74-6								Bolt		4		04-A	128
	3		AN960-416							Washer		4		04-A	128	
			87-33-512								Support		1		01-C	126HB
	5		87-33-530							Ball - Hand Pump		1		01-C	126HB	
			87-33-533								Handle Assembly		1		01-C	126HB
	7		87-33-504							Pump Assembly		1		01-C	126HB	
			AN4-7A								Bolt		4		04-A	128
	3		AN960-416							Washer		6		04-A	128	
			87-33-018-10								Tank Assembly	A - R			01-C	126HB
	9		87-33-018-20								Tank Assembly	S - up			01-C	126HB
			87-33-011								Tank		1		01-C	126HB
	11		87-33-017								Gasket		1		01-C	126HB
			87-33-012								Cap		1		01-C	126HB
	13		87-33-013								Clamp		1		01-C	126HB
87-33-014										Clevis		1		01-C	126HB	
15		AN165-325								Eyebolt		1		04-A	128	
		AN394-33								Pin		2		04-A	128	
17		AN380-C2-2								Cotter Pin		2		29	128	
		AN960-416								Washer		2		04-A	128	

RESTRICTED

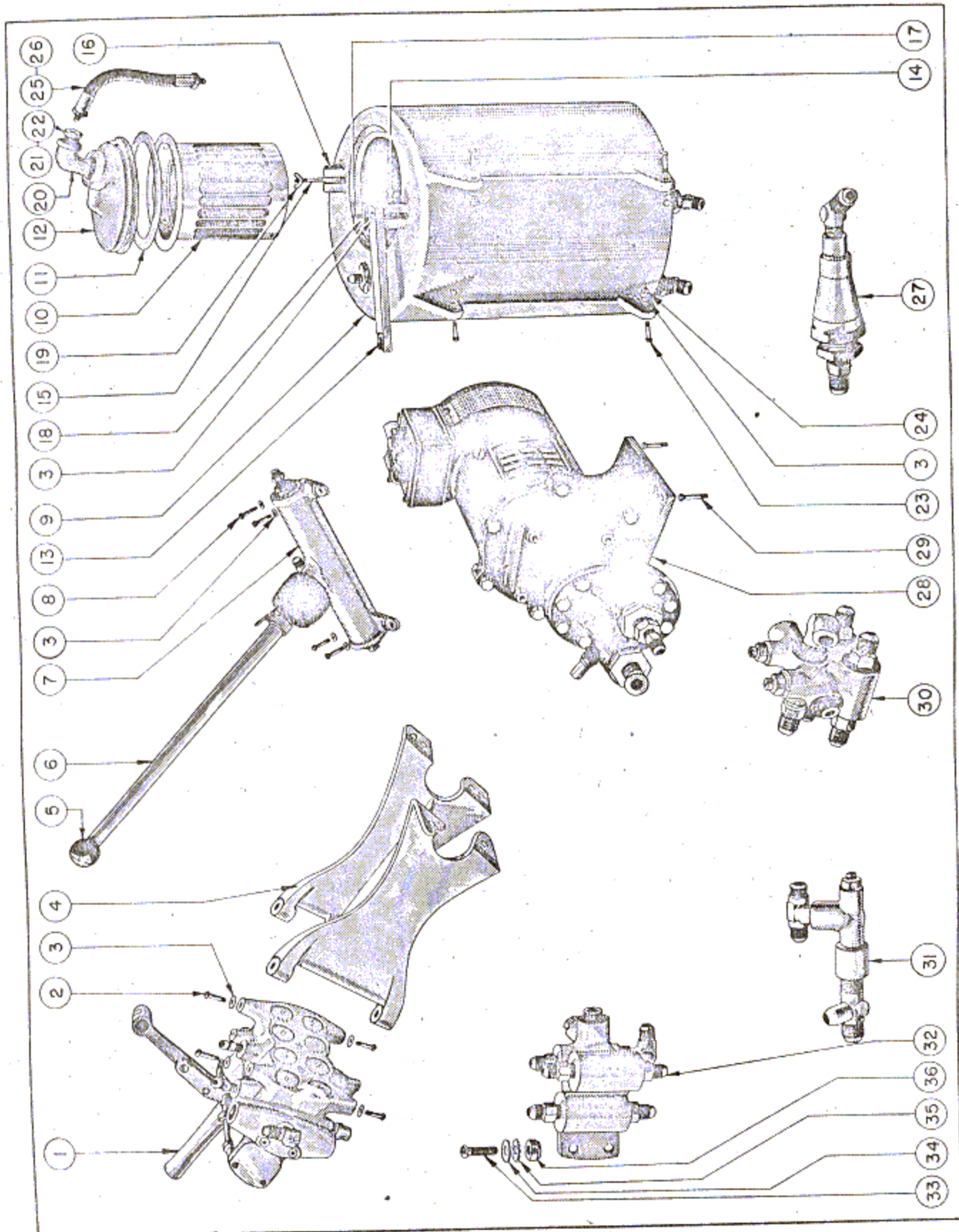


Figure 97—Hydraulic System—Equipment

RESTRICTED
T. O. No. 01-25C-4
SECTION II—GROUP ASSEMBLY PARTS LISTS

FIG. NO.	INDEX NO.	STOCKED	GROUP-FIXED EQUIPMENT						UNITS PER ASSY	PROPERTY CLASSIFICATION				
			MAJOR ASSEMBLY - HYDRAULIC SYSTEM - EQUIPMENT (Cont.)							U.S. NAVY	U.S. ARMY	BRITISH		
			PART NUMBER	1	2	3	4	5					6	NOMENCLATURE
97	18		AN310-4							1		04-A	128	
	19		AN350-4							1		29	128	
	20		895-4							1		04-A	128	
	21		87-33-089							1		01-C	126HB	
	22		87-572-1011							1		01-C	126HB	
	23		AN4-6A							4		04-A	128	
	3		AN960-416							4		04-A	128	
	24		365-428							4		04-A	128	
	25		87-33-072							1		01-C	126HB	
	26		87-33-902-213							1		01-C	126HB	
	27		87-33-071							1		01-C	126HB	
	28		809 Model 3							1		01-C	137J	
	29		AN4-7A							4		04-A	128	
	30		87-33-025							1		01-C	126HB	
	31		87-33-066							1		01-C	126HB	
	32		87-33-069							1		01-C	126HB	
	33		AN520-10-10							2		27	128	
	34		AN960-10							2		04-A	128	
	35		87-999-10							2		01-C	126HB	
	36		365-1032							2		01-C	128	
	98			GROUP - FIXED EQUIPMENT						UNITS PER ASSY	PROPERTY CLASSIFICATION			
			MAJOR ASSEMBLY - CONTROL VALVE ASSEM - LDG.GEAR AND FLAPS						U.S. NAVY		U.S. ARMY	BRITISH		
			PART NUMBER	1	2	3	4	5		6			NOMENCLATURE	
			87-33-503							Selector Valve Assembly	1		01-C	126HB
			87-33-513							Valve - Body	10		01-C	126HB
1			75-33-135-2							Ring - Retainer	36		01-C	126HB
2			914-D-.375R							Cup	8		01-C	126HB
3			87-33-021-1							Retainer	8		01-C	126HB
4			75-33-117							Spring	8		01-C	126HB
5			87-33-019							Valve	8		01-C	126HB
6			87-33-020							Washer	8		01-C	126HB
7			75-33-109							Spacer	8		01-C	126HB
8			75-33-113-1							Washer	8		01-C	126HB
9			AN310-4							Nut	8		04-A	128
10			AN380-C2-2							Cotter Pin	8		29	128
11			99129							Gasket	8		01-C	126HB
12			75-33-112							Follower	8		01-C	126HB
13			201344							Valve Assembly	2		01-C	126HB
14			201344-1							Packing	1		01-C	126HB
14			201345							Spindle	1		01-C	126HB
15			201346							Spring	2		01-C	126HB
16		87-33-021-2							Retainer	2		01-C	126HB	
17		87-33-514							Housing	1		01-C	126HB	
18		87-33-039							Camshaft Assembly	1		01-C	126HB	
19		87-33-040							Camshaft Assembly	1		01-C	126HB	
20		87-33-031							Segment	1		01-C	126HB	
21		AN24-72							Bolt	2		04-A	128	
22		AN320-4							Nut	2		04-A	128	
10		AN380-C2-2							Cotter Pin	2		29	128	
23		87-33-093							Cover	1		01-C	126HB	

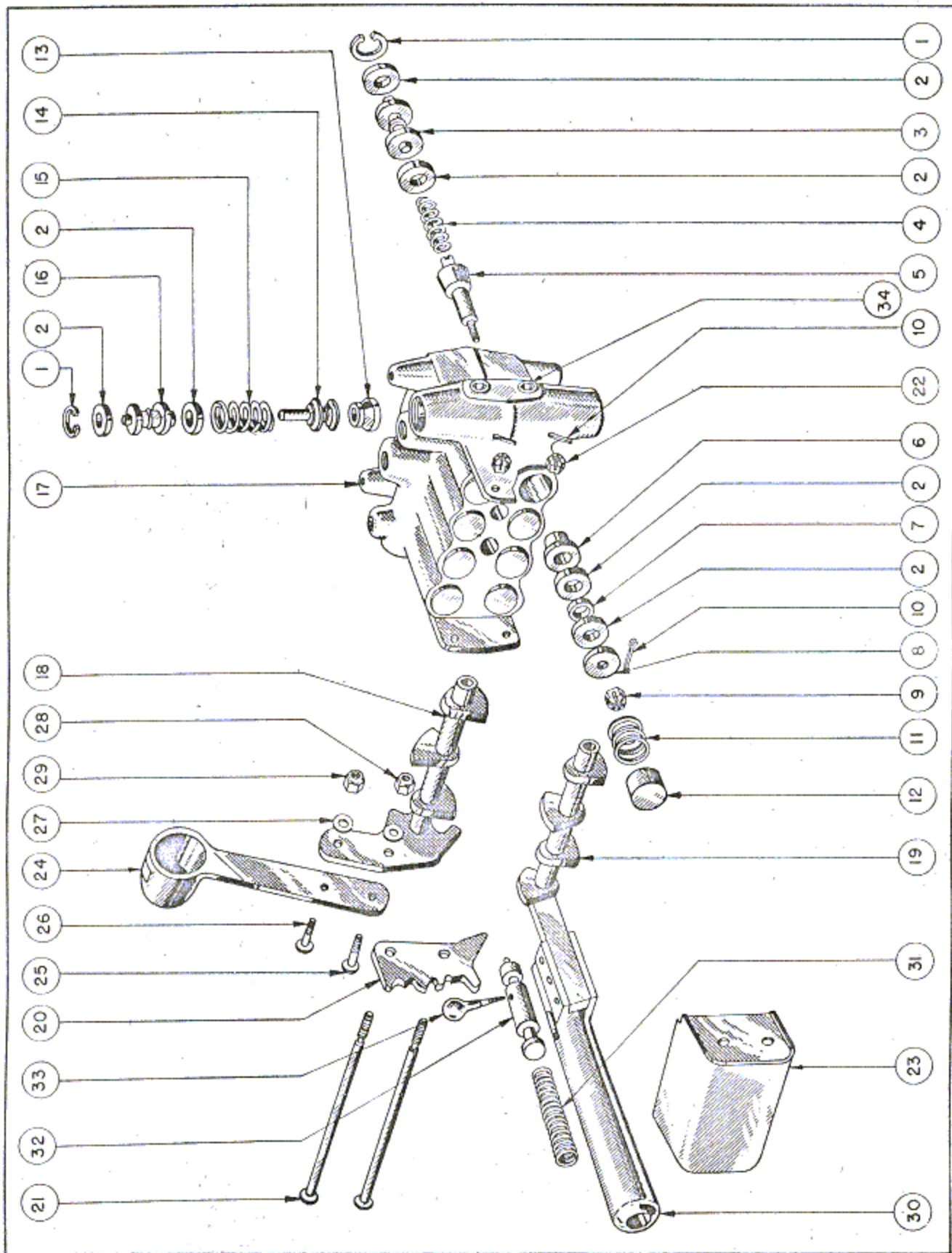


Figure 98—Control Valve Assembly—Landing Gear and Flaps

RESTRICTED

T. O. No. 01-25C-4

SECTION II—GROUP ASSEMBLY PARTS LISTS

FIG. NO.	INDEX NO.	STOCKED	GROUP - FIXED EQUIPMENT						UNITS PER ASSY	PROPERTY CLASSIFICATION			
			MAJOR ASSEMBLY - CONTROL VALVE ASSFW-IDG.GEAR AND FLAPS(Cont.)							U.S. NAVY	U.S. ARMY	BRITISH	
			PART NUMBER	1	2	3	4	5					6
98	24		87-33-534						1		01-C	126HB	
	25		525-416-14						1		29	128	
	26		525-416-12						1		29	128	
	27		AN960-A41b						2		04-A	128	
	28		364-428						1		04-A	128	
	29		365-428						1		04-A	128	
									1		01-C	126HB	
			87-33-090						1		01-C	126HB	
	30		87-33-028						1		01-C	126HB	
	31		87-33-038						1		01-C	126HB	
	32		87-33-030						1		01-C	126HB	
	33		87-33-032						1		01-C	126HB	
	34		AN895-100						6		04-A	128	
	GROUP - FIXED EQUIPMENT												
	FIG. NO.	INDEX NO.	STOCKED	GROUP - FIXED EQUIPMENT						UNITS PER ASSY	PROPERTY CLASSIFICATION		
				MAJOR ASSEMBLY - HYDRAULIC RELIEF AND CHECK VALVES							U.S. NAVY	U.S. ARMY	BRITISH
PART NUMBER				1	2	3	4	5	6				
99			87-33-025						1		01-C	126HB	
	1		87-33-026						2		01-C	126HB	
	2		75-33-468						2		01-C	126HB	
	3		200429						2		01-C	126HB	
	4		200430						2		29	128	
	5		AN900-5						2		04-A	128	
	6		365-524						2		04-A	128	
	7		AN895-100										
									1		01-C	126HB	
			87-33-066						1		01-C	126HB	
	8		87-33-065						1		01-C	126HB	
	2		75-33-468						1		01-C	126HB	
	3		200429						1		01-C	126HB	
	4		200430						1		29	128	
	5		AN900-5						1		04-A	128	
	6		365-524						1		01-C	126HB	
9		75-33-RT-6-2330						1		01-C	126HB		
10		75-33-ST-6-2330											
								1		01-C	126HB		
		87-33-071						1		01-C	126HB		
11		87-33-071-1						1		01-C	126HB		
12		75-33-135-2						1		01-C	126HB		
13		87-33-080						1		01-C	126HB		
14		201346						1		01-C	126HB		
15		201344						1		01-C	126HB		
16		87-33-079						1		01-C	126HB		
GROUP - FIXED EQUIPMENT													
FIG. NO.	INDEX NO.	STOCKED	GROUP - FIXED EQUIPMENT						UNITS PER ASSY	PROPERTY CLASSIFICATION			
			MAJOR ASSEMBLY - HYDRAULIC HAND PUMP							U.S. NAVY	U.S. ARMY	BRITISH	
			PART NUMBER	1	2	3	4	5					6
100			87-33-504						1		01-C	126HB	
	1		87-33-051						1		01-C	126HB	
	2		87-33-050						1		01-C	126HB	
	3		87-33-053						1		01-C	126HB	
	4		87-33-528						1		01-C	126HB	

RESTRICTED

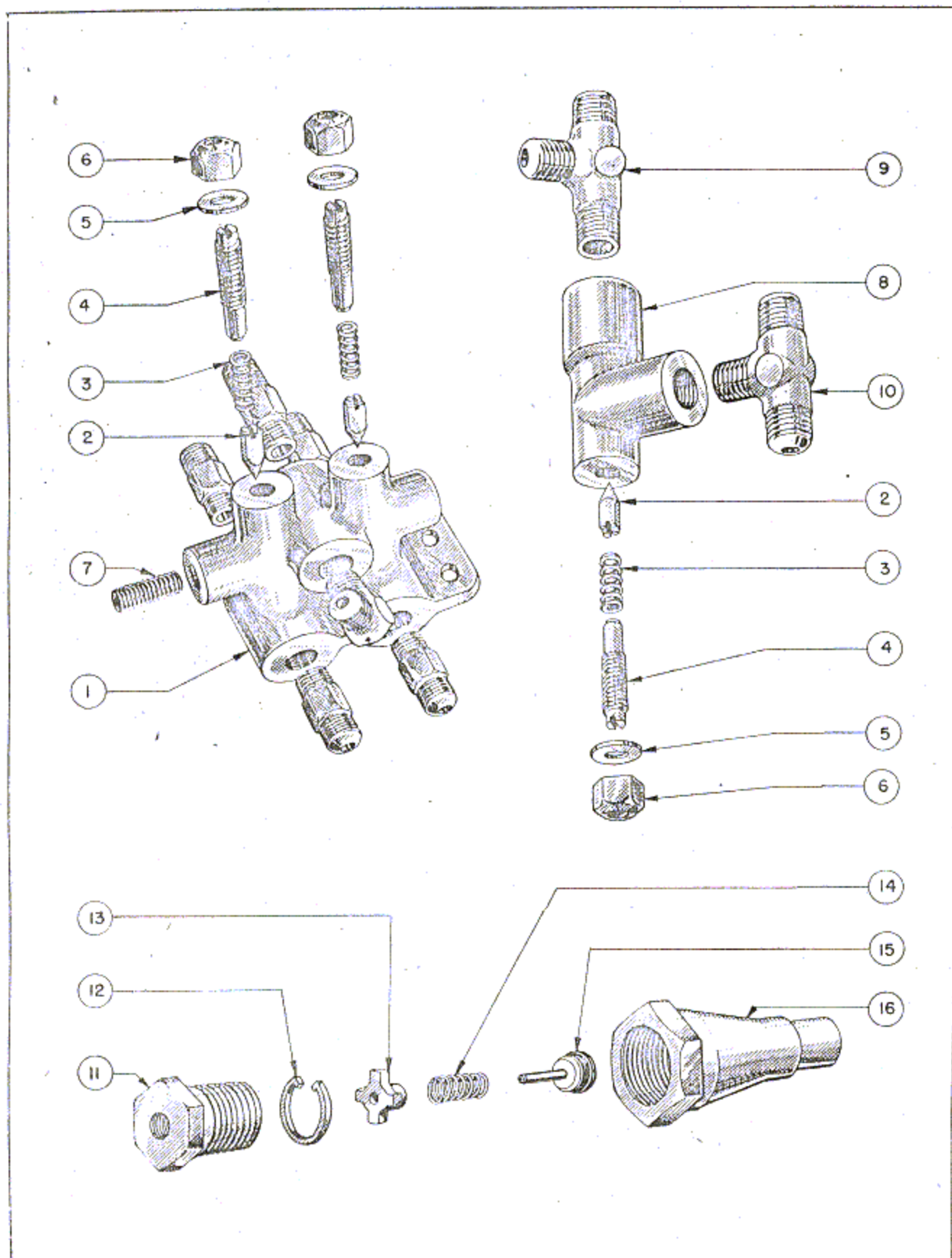


Figure 99—Hydraulic Relief and Check Valves

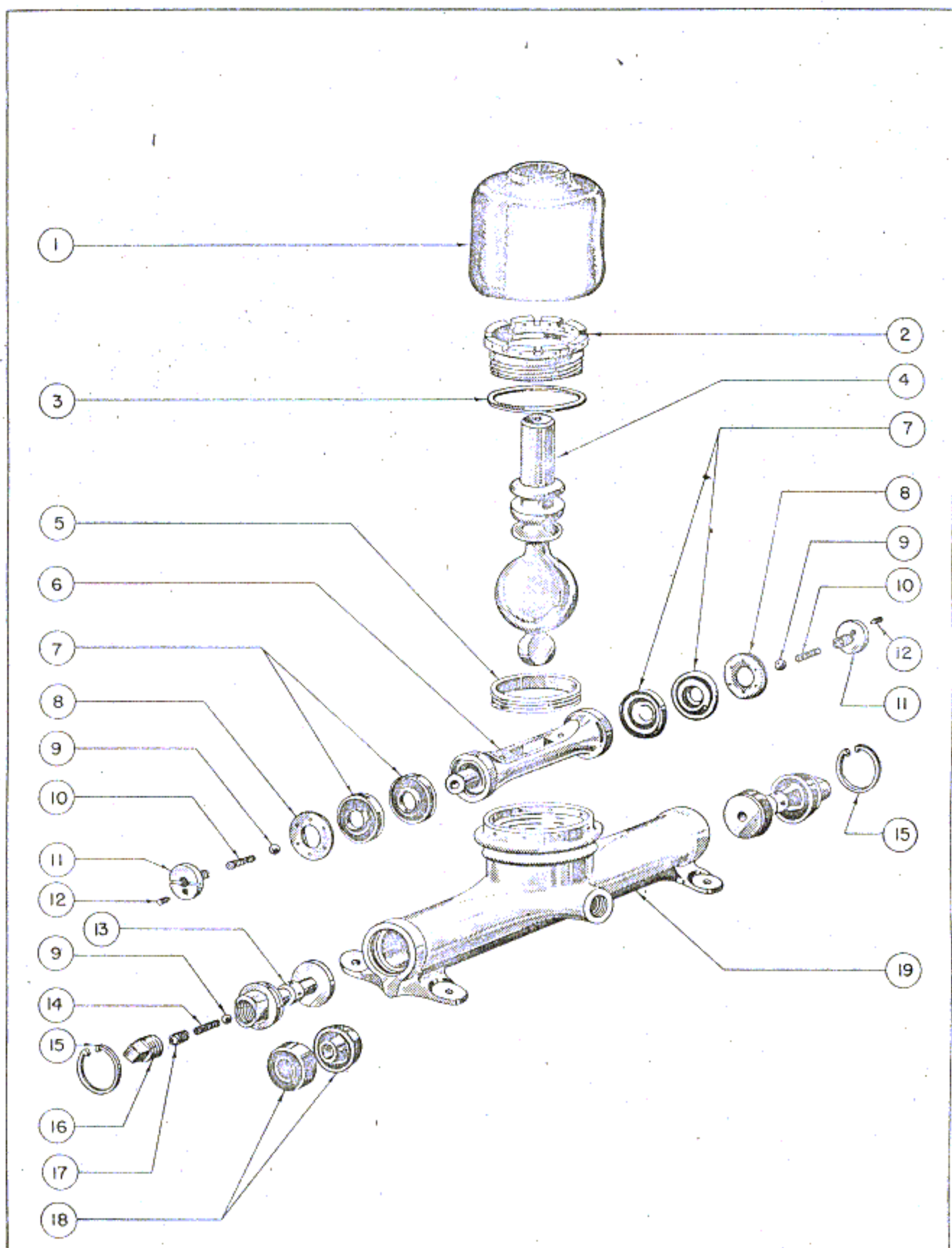


Figure 100—Hydraulic Hand Pump

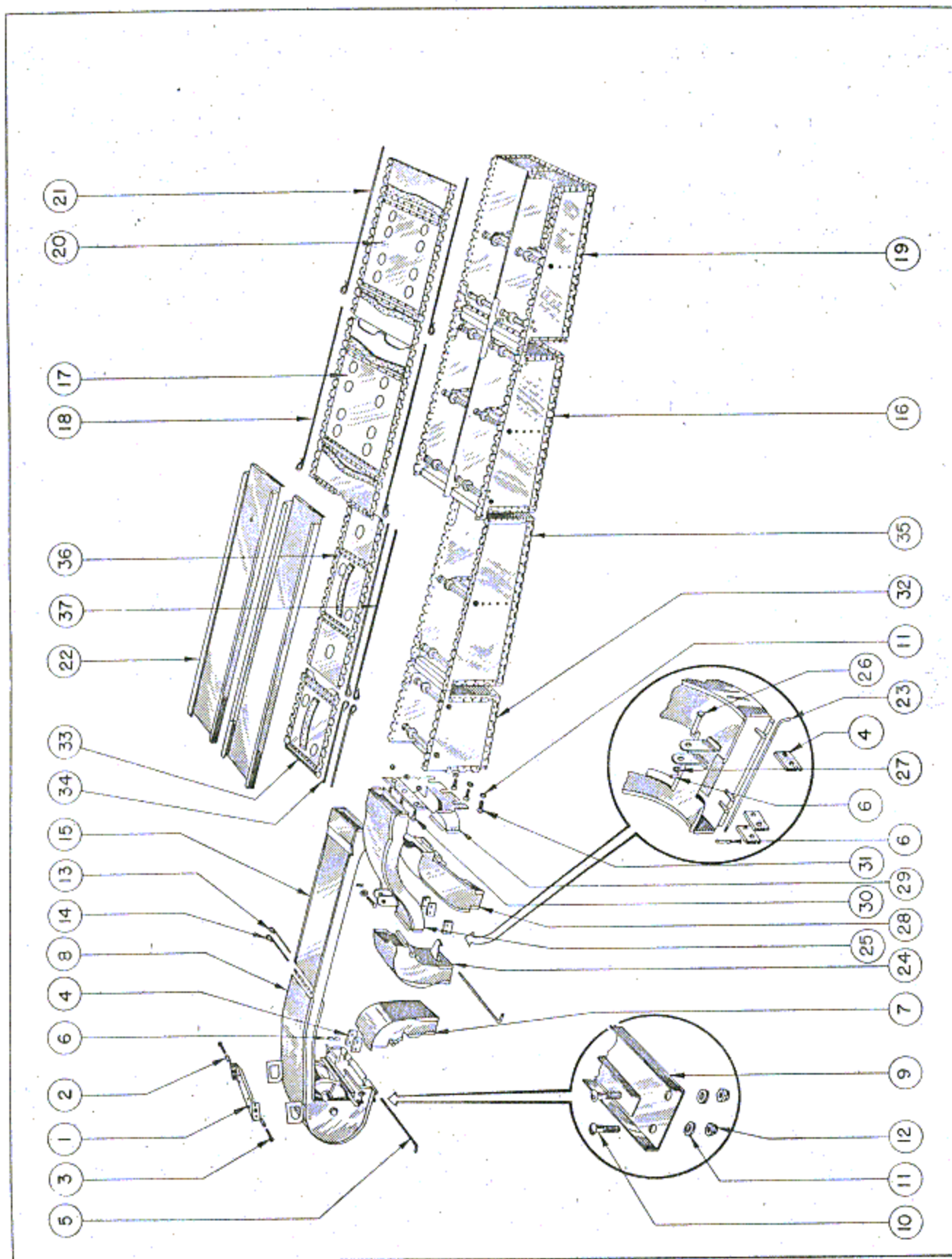


Figure 101—Ammunition Boxes and Chutes

RESTRICTED
T. O. No. 01-25C-4
SECTION II—GROUP ASSEMBLY PARTS LISTS

FIG. NO.	INDEX NO.	S T O C K E D	GROUP - FIXED EQUIPMENT						UNITS PER ASSY	PROPERTY CLASSIFICATION					
			MAJOR ASSEMBLY - HYDRAULIC HAND PUMP (Cont.)							U.S. NAVY	U.S. ARMY	BRITISH			
			PART NUMBER	1	2	3	4	5					6	NOMENCLATURE	
100	5		87-33-054						Packing		1		01-C	126HB	
	6		87-33-048						Piston		1		01-C	126HB	
	7		87-33-064						Packing		4		01-C	126HB	
	8		87-33-063						Packing Ring		2		01-C	126HB	
	9		87-33-504-1						Ball		4		01-C	126HB	
	10		87-33-058-2						Spring		2		01-C	126HB	
	11		87-33-062						Retainer		2		01-C	126HB	
	12		87-33-504-2						Set Screw - Allen Set Screw #10-32		2		01-C	126HB	
	13		87-33-049						Valve		2		01-C	126HB	
	14		87-33-058-1						Spring		2		01-C	126HB	
	15		87-33-070						Snap Ring		2		01-C	126HB	
	16		895-71						Pipe Plug		2		04-A	128	
	17		87-33-055						Retainer		2		01-C	126HB	
	18		87-33-059						Cup - Packing		4		01-C	126HB	
	19		87-33-067						Body		1		01-C	126HB	
	101			GROUP - FIXED EQUIPMENT						UNITS PER ASSY	PROPERTY CLASSIFICATION				
				MAJOR ASSEMBLY - AMMUNITION BOXES AND CHUTES							U.S. NAVY	U.S. ARMY	BRITISH		
				PART NUMBER	1	2	3	4	5					6	NOMENCLATURE
											Gun Installation	A - B	1		01-C
										Gun Installation	A - B	1		01-C	126HB
										Gun Installation	C - up	1		01-C	126HB
										Gun Installation	C - up	1		01-C	126HB
										Gun Installation #1 - L.H.	A - up	1		01-C	126HB
										Gun Installation #1 - R.H.	A - up	1		01-C	126HB
										Gun Assembly		1		01-C	126HB
		1								Channel		1		01-C	126HB
		2								Spacer		2		01-C	126HB
		3								Screw		2		29	128
		4								Block		3		01-C	126HB
		5								Hinge Pin		1		01-C	126HB
		6								Safety Pin		1		04-A	126HB
		7								Link Chute - L.H.		1		01-C	126HB
										Link Chute - R.H.		1		01-C	126HB
		8								Feed Chute - L.H.		1		01-C	126HB
										Feed Chute - R.H.		1		01-C	126HB
		9								Channel Assembly - L.H.		1		01-C	126HB
										Channel Assembly - R.H.		1		01-C	126HB
		10								Screw		4		29	128
		11								Washer		4		04-A	128
		12								Nut		4		04-A	128
		13								Hinge Pin		1		01-C	126HB
		14								Hinge Pin		1		01-C	126HB
		15								Feed Chute		1		01-C	126HB
		16								Box Assembly #3 - L.H.		1		01-C	126HB
										Box Assembly #3 - R.H.		1		01-C	126HB
		17								Cover Assembly - L.H.		1		01-C	126HB
										Cover Assembly - R.H.		1		01-C	126HB
	18								Hinge Pin		2		01-C	126HB	
	19								Box Assembly #4 - L.H.		1		01-C	126HB	
									Box Assembly #4 - R.H.		1		01-C	126HB	

RESTRICTED

213

RESTRICTED

T. O. No. 01-25C-4

SECTION II—GROUP ASSEMBLY PARTS LISTS

FIG. NO.	INDEX NO.	S T O C K E D	GROUP - FIXED EQUIPMENT						UNITS PER ASSY	PROPERTY CLASSIFICATION		
			MAJOR ASSEMBLY - AMMUNITION BOXES AND CHUTES (Cont.)							U.S. NAVY	U.S. ARMY	BRITISH
			PART NUMBER	1	2	3	4	5				
101	20	87-69-904-9L							1		01-C	
		87-69-904-9R							1		01-C	
	21	918-D-19.625							2		01-C	
	22	87-69-997L							1		01-C	
		87-69-997R							1		01-C	
		87-69-803-2L							1		01-C	
		87-69-803-2R							1		01-C	
	4	87-69-533							3		01-C	
	23	901-D-5 1/4							1		01-C	
	6	416-2							1		04-A	
	24	87-69-550L							1		01-C	
		87-69-550R							1		01-C	
	25	87-69-709L							1		01-C	
		87-69-709R							1		01-C	
	26	AN393-29							1		04-A	
	27	AN960-10							1		04-A	
	6	416-2							1		04-A	
	16	87-69-903L							1		01-C	
		87-69-903R							1		01-C	
	17	87-69-903-9L							1		01-C	
		87-69-903-9R							1		01-C	
	18	918-D-20.5							2		01-C	
	19	87-69-904L							1		01-C	
		87-69-904R							1		01-C	
	20	87-69-904-9L							1		01-C	
		87-69-904-9R							1		01-C	
	21	918-D-19.625							2		01-C	
	22	87-69-997L							1		01-C	
		87-69-997R							1		01-C	
		87-69-803-3L							1		01-C	
		87-69-803-3R							1		01-C	
	28	87-69-706L							1		01-C	
		87-69-706R							1		01-C	
	29	87-69-711L							1		01-C	
		87-69-711R							1		01-C	
	30	530-8-10							3		29	
	11	AN960-8							3		04-A	
31	530-8-12							3		29		
11	AN960-8							3		04-A		
32	87-69-901L							1		01-C		
	87-69-901R							1		01-C		
33	87-69-901-9L							1		01-C		
	87-69-901-9R							1		01-C		
34	918-D-9.75							2		01-C		
35	87-69-902L							1		01-C		
	87-69-902R							1		01-C		
36	87-69-902-10L							1		01-C		
	87-69-902-10R							1		01-C		
37	918-D-21							2		01-C		

RESTRICTED
T. O. No. 01-25C-4
SECTION II—GROUP ASSEMBLY PARTS LISTS

FIG. NO.	INDEX NO.	GROUP - FIXED EQUIPMENT						UNITS PER ASSY	PROPERTY CLASSIFICATION					
		MAJOR ASSEMBLY - GUN AND GUN FAIRING							U.S. NAVY	U.S. ARMY	BRITISH			
		PART NUMBER	1	2	3	4	5					6	NOMENCLATURE	
102		87-69-701L						Gun Installation		A - B		01-C	126HB	
		87-69-701R						Gun Installation		A - B		01-C	126HB	
		87-69-803L						Gun Installation		C - up		01-C	126HB	
		87-69-803R						Gun Installation		C - up		01-C	126HB	
	1	H3965332						Gun - .50 Cal. M-2 B.A.M. (G.F.E.)			3		Ordnance	
	2	H41D10358						Solenoid - Type G-9 (G.F.E.)			3		11-B 105D	
	3	87-69-770						Blast Tube Assembly - Gun No. 1			1		01-C 126HB	
	4	87-69-771						Blast Tube Assembly - Gun No. 2			1		01-C 126HB	
	5	87-69-772						Blast Tube Assembly - Gun No. 3			1		01-C 126HB	
	6	87-69-764						Retainer - Blast Tube			3		01-C 126HB	
	7	87-69-763						Stud - Blast Tube Retainer			9		01-C 126HB	
			87-69-911						Fairing Assembly - Gun No. 1			1		01-C 126HB
	8		87-69-921						Fairing			1		01-C 126HB
	9		87-69-798						Shutter			1		01-C 126HB
			87-690-1012						Retainer Assembly			1		01-C 126HB
	10		87-69-799						Retainer			1		01-C 126HB
	11		87-690-1012-1						Strip			1		01-C 126HB
	12		1029E-4-4						Screw			2		01-C 126HB
	13		AN936-A4						Washer			2		04-A 128
	14		87-69-920						Lock			1		01-C 126HB
	15		AN515-6-5						Screw - Lock Attaching			2		29 128
16		AN505-6-4						Screw - Lock Attaching			1		29 128	
17		AN340-6						Nut - Lock Attaching			3		29 128	
18		87-69-563						Fastener - Fairing			2		01-C 126HB	
19		87-69-562						Ring			2		01-C 126HB	
		87-69-912						Fairing Assembly - Gun No. 2			1		01-C 126HB	
20		87-69-922						Fairing			1		01-C 126HB	
9		87-69-798						Shutter			1		01-C 126HB	
		87-690-1012						Retainer Assembly			1		01-C 126HB	
10		87-69-799						Retainer			1		01-C 126HB	
11		87-690-1012-1						Strip			1		01-C 126HB	
12		1029E-4-4						Screw			2		01-C 126HB	
13		AN936-A-4						Washer			2		04-A 126HB	
14		87-69-920						Lock			1		01-C 126HB	
15		AN515-6-5						Screw - Lock Attaching			2		29 128	
16		AN505-6-4						Screw - Lock Attaching			1		29 128	
17		AN340-6						Nut - Lock Attaching			3		29 128	
18		87-69-563						Fastener - Fairing			2		01-C 126HB	
19		87-69-562						Ring			2		01-C 126HB	
		87-69-913						Fairing Assembly - Gun No. 3			1		01-C 126HB	
21		87-69-923						Fairing			1		01-C 126HB	
9		87-69-798						Shutter			1		01-C 126HB	
		87-690-1012						Retainer Assembly			1		01-C 126HB	
10		87-69-799						Retainer			1		01-C 126HB	
11		87-690-1012-1						Strip			1		01-C 126HB	
12		1029E-4-4						Screw			2		01-C 126HB	
13		AN936-A4						Washer			2		04-A 128	
14		87-69-920						Lock			1		01-C 126HB	
15		AN515-6-5						Screw - Lock Attaching			2		29 128	
16		AN505-6-4						Screw - Lock Attaching			1		29 128	
17		AN340-6						Nut - Lock Attaching			3		29 128	
18		87-69-563						Fastener - Fairing			2		01-C 126HB	
19		87-69-562						Ring			2		01-C 126HB	

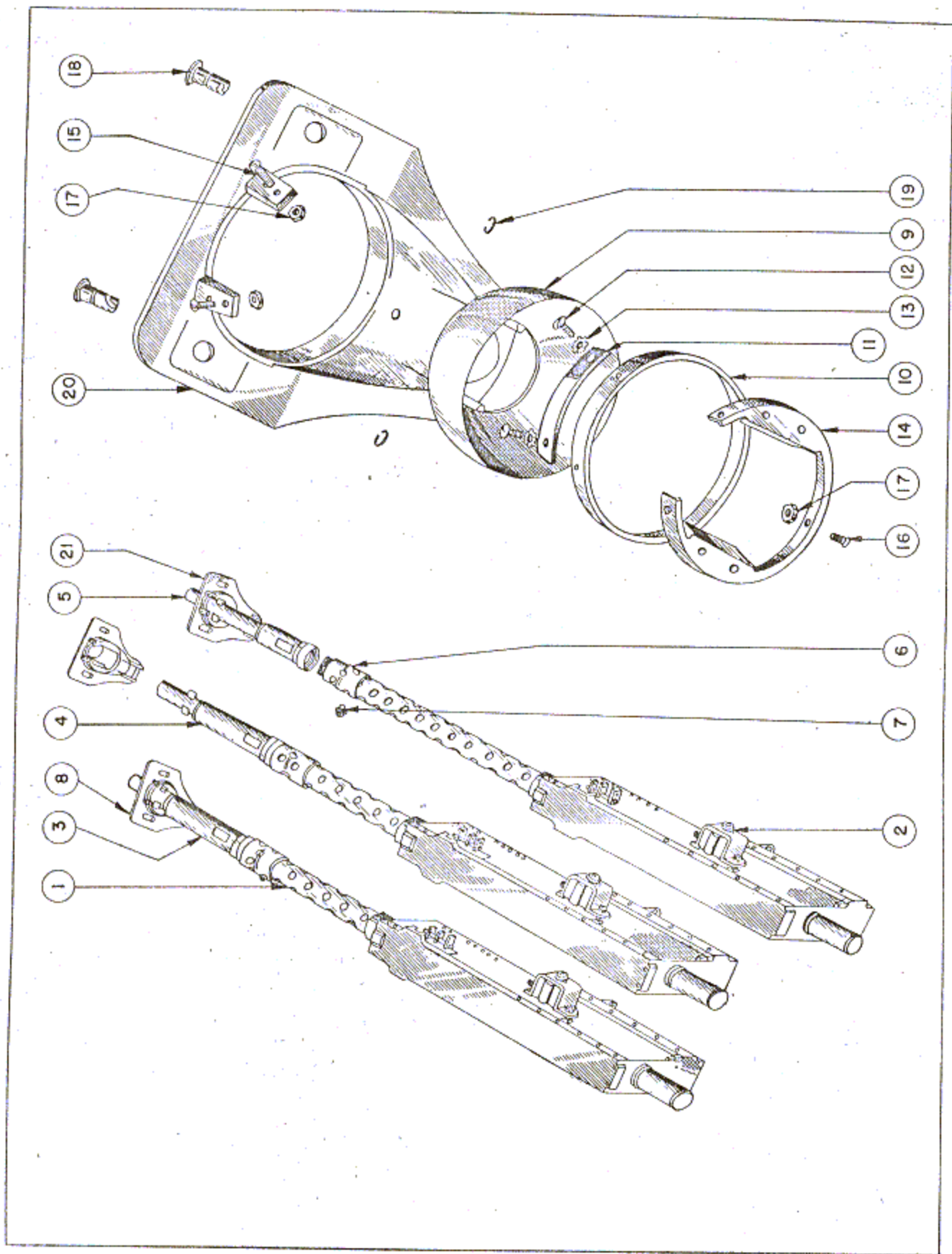


Figure 102—Guns and Gun Fairings

RESTRICTED
 T. O. No. 01-25C-4
 SECTION II—GROUP ASSEMBLY PARTS LISTS

FIG. NO.	INDEX NO.	S T O C K E D	GROUP - FIXED EQUIPMENT						UNITS PER ASSY	PROPERTY CLASSIFICATION						
			MAJOR ASSEMBLY - GUN MOUNT							U.S. NAVY	U.S. ARMY	BRITISH				
			PART NUMBER	1	2	3	4	5					6	NOMENCLATURE		
103			87-69-701L						Gun Installation			A - B			01-C	126HB
			87-69-701R						Gun Installation			A - B			01-C	126HB
			87-69-803L						Gun Installation			C - up			01-C	126HB
			87-69-803R						Gun Installation			C - up			01-C	126HB
	1		87-69-930L					3	Lock Assembly -	Outboard Front	L.H.				01-C	126HB
			87-69-930R					3	Lock Assembly -	Outboard Front	R.H.				01-C	126HB
	2		87-69-932L					1	Lock L. H.						01-C	126HB
			87-69-932R					1	Lock R.H.						01-C	126HB
	3		87-69-925					2	Nut						01-C	126HB
	4		87-69-926-2					1	Stud						01-C	126HB
	5		87-69-926-1					1	Stud						01-C	126HB
	6		87-69-927					1	Eye Bolt						01-C	126HB
	7		87-69-928L					1	Toggle L.H.						01-C	126HB
			87-69-928R					1	Toggle R.H.						01-C	126HB
	8		365-524					1	Nut						04-A	128
	9		AN960-10L					1	Washer						04-A	128
	10		AN380-C2-2					1	Cotter Pin						29	128
	11		87-69-929L					3	Lock Assembly -	Inboard Front	L.H.				01-C	126HB
			87-69-929R					3	Lock Assembly -	Inboard Front	R.H.				01-C	126HB
	12		87-69-931					1	Lock						01-C	126HB
	5		87-69-926-1					1	Stud						01-C	126HB
	4		87-69-926-2					1	Stud						01-C	126HB
	3		87-69-925					2	Nut						01-C	126HB
	13		87-69-935L					1	Adapter Assembly -	Front Gun #1	L.H.				01-C	126HB
			87-69-935R					1	Adapter Assembly -	Front Gun #1	R.H.				01-C	126HB
	14		87-69-936L					2	Adapter Assembly -	Front Gun 2 & 3					01-C	126HB
			87-69-936R					2	Adapter Assembly -	Front Gun 2 & 3					01-C	126HB
	15		87-69-537					3	Bracket Assembly -	Front					01-C	126HB
	16		87-69-537-1					1	Bracket						01-C	126HB
	17		AN526-478-10					1	Screw						29	128
	18		1075-DG-.063-.265					1	Washer						01-C	126HB
			-.969					1	Washer						04-A	128
	19		AN960-416					1	Washer						29	128
	20		AN935-416					1	Washer						29	128
	21		87-69-762					3	Bolt						01-C	126HB
	22		AN935-916					3	Washer						29	128
	23		1075-DC-.010-.937					3	Washer						01-C	126HB
			-1.625					3	Washer						01-C	126HB
	24		1075-DC-.020-.937					3	Washer						01-C	126HB
			-1.625					3	Washer						04-A	128
	25		AN960-1216					3	Washer						04-A	128
	26		364-1216					3	Nut						04-A	128
	27		87-69-917L					2	Adapter Assembly -	Rear Gun #1 & 3					01-C	126HB
			87-69-917R					2	Adapter Assembly -	Rear Gun #1 & 3					01-C	126HB
	28		87-69-547					1	Fitting						01-C	126HB
	29		87-69-548					1	Adapter						01-C	126HB
	30		87-69-553					1	Bushing						01-C	126HB
	31		565-A4-10					2	Screw						29	128
	32		068679					2	Button						11-B	150J
	33		87-69-560					2	Eye Bolt						01-C	126HB
	34		87-69-746-1L					1	Toggle L. H.						01-C	126HB
			87-69-746-1R					1	Toggle R. H.						01-C	126HB
	35		AN395-23					1	Clevis Pin						04-A	128
	36		1075-DG-.032					2	Washer						01-C	126HB
			-.203-.344					2	Washer						29	128
	10		AN380-C2-2					2	Cotter Pin						04-A	128
	8		365-524					2	Nut						04-A	128

RESTRICTED

217

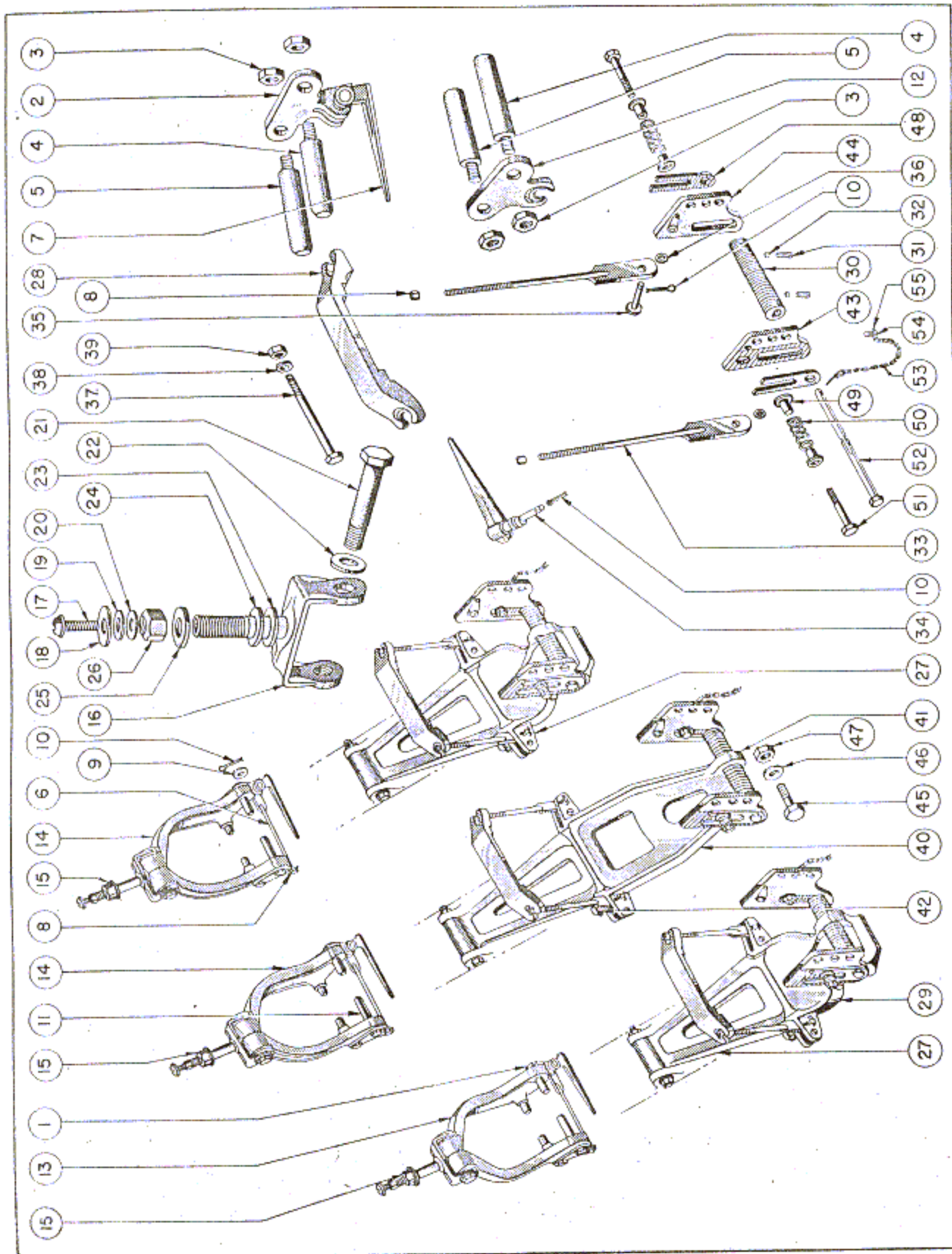


Figure 103—Gun Mounts

RESTRICTED
T. O. No. 01-25C-4
SECTION II—GROUP ASSEMBLY PARTS LISTS

FIG. NO.	INDEX NO.	STOCKED	GROUP - FIXED EQUIPMENT						UNITS PER ASSY	PROPERTY CLASSIFICATION				
			MAJOR ASSEMBLY - GUN MOUNT (Cont.)							U.S. NAVY	U.S. ARMY	BRITISH		
			PART NUMBER	1	2	3	4	5					6	NOMENCLATURE
103	37		AN7-27					Bolt			1		04-A	128
	38		AN960-716					Washer			1		04-A	128
	39		365-720					Nut			1		04-A	128
	40		87-69-918L					Adapter Assembly - Rear Gun #2 L.H.			1		01-C	126HB
			87-69-918R					Adapter Assembly - Rear Gun #2 R.H.			1		01-C	126HB
	28		87-69-547					Fitting			1		01-C	126HB
	41		87-69-546					Adapter			1		01-C	126HB
	30		87-69-553					Bushing			1		01-C	126HB
	31		565-A4-10					Screw			2		29	128
	32		068679					Button			2		11B	150J
	33		87-69-560					Eyebolt			2		01-C	126HB
	42		87-69-746-4L					Toggle L. H.			1		01-C	126HB
			87-69-746-4R					Toggle R. H.			1		01-C	126HB
	35		AN395-23					Clevis Pin			1		04-A	128
	36		1075-D6-.032-.203 -.344					Washer			2		01-C	126HB
	10		AN380-C2-2					Cotter Pin			2		29	128
	8		365-524					Nut			2		04-A	128
	37		AN7-27					Bolt			1		04-A	128
	38		AN960-716					Washer			1		04-A	128
	39		365-720					Nut			1		04-A	128
	43		87-69-540L					Support Rear L. H.			3		01-C	126HB
	44		87-69-540R					Support Rear L. H.			3		01-C	126HB
			87-69-540L					Support Rear R. H.			3		01-C	126HB
			87-69-540R					Support Rear R. H.			3		01-C	126HB
	45		AN4-7					Bolt			18		04-A	128
	46		AN960-D416					Washer			18		04-A	128
	47		365-428					Nut			18		04-A	128
	48		87-69-541					Locking Plate			6		01-C	126HB
	49		87-69-561					Bushing			12		01-C	126HB
	50		87-69-545					Spring			6		01-C	126HB
	51		AN4-13					Bolt			6		04-A	128
	52		87-69-735					Pin			3		01-C	126HB
	53		87-69-938					Lock Pin			3		01-C	126HB
	54		530-6-6					Screw			3		29	128
	55		AN960-6					Washer			3		04-A	128

FIG. NO.	INDEX NO.	STOCKED	GROUP - FIXED EQUIPMENT						UNITS PER ASSY	PROPERTY CLASSIFICATION				
			MAJOR ASSEMBLY - GUN SIGHT							U.S. NAVY	U.S. ARMY	BRITISH		
			PART NUMBER	1	2	3	4	5					6	NOMENCLATURE
104			87-69-966					Gun Sight Installation	A - B			01-C	126HB	
			87-69-966-50					Gun Sight Installation	C - L			01-C	126HB	
			87-69-966-60					Gun Sight Installation	P - up			01-C	126HB	
			87-69-615					Base Assembly			1		01-C	126HB
	1		87-69-608					Base			1		01-C	126HB
	2		87-69-609					Plate			1		01-C	126HB
	3		1070-D-CAU-21					Bolt			1		01-C	126HB
	4		365-624					Nut			1		04-A	128
			87-69-964					Gun Sight Assembly	A - L		1		01-C	126HB
			87-694-1014					Gun Sight Assembly	P - up		1		01-C	126HB
			87-69-954					Yoke Assembly			1		01-C	126HB
	5		87-69-952					Yoke			1		01-C	126HB
	6		87-69-955					Clip			2		01-C	126HB
	7		87-69-618					Bolt			2		01-C	126HB

RESTRICTED

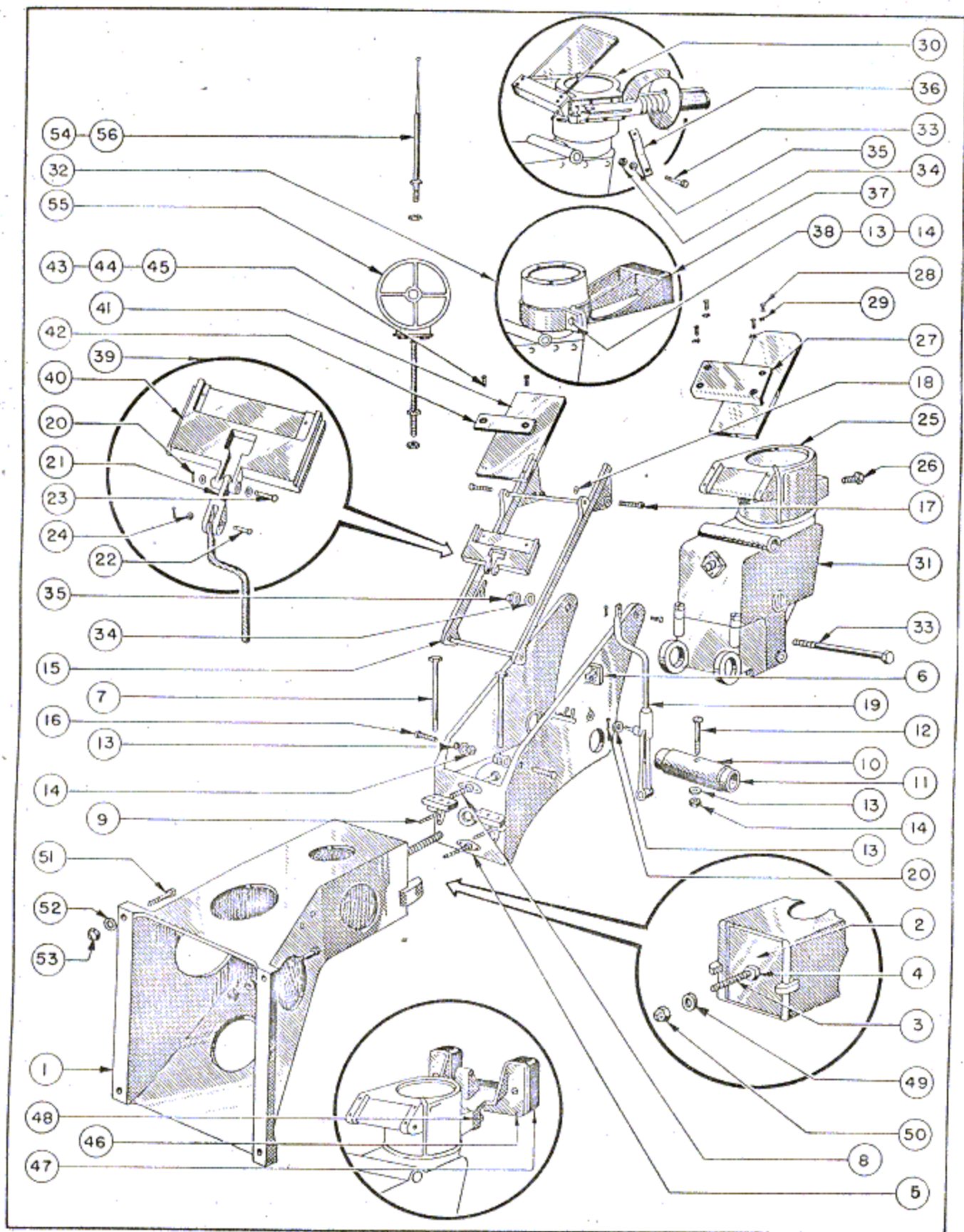


Figure 104—Gun Sight

RESTRICTED

T. O. No. 01-25C-4

SECTION II—GROUP ASSEMBLY PARTS LISTS

FIG. NO.	INDEX NO.	STOCKED	GROUP - FIXED EQUIPMENT						UNITS PER ASSY	PROPERTY CLASSIFICATION					
			MAJOR ASSEMBLY - GUN SIGHT (Cont.)							U.S. NAVY	U.S. ARMY	BRITISH			
			PART NUMBER	1	2	3	4	5					6	NOMENCLATURE	
104	8		87-69-958						Bolt			1		01-C	126HB
	9		501C-416-22						Screw			3		29	128
	10		87-69-090						Spacer			1		01-C	126HB
	11		87-69-612						Bearing			1		01-C	126HB
	12		525-D-10-20						Screw			1		29	128
	13		AN960-D10						Washer			1		04-A	128
	14		365-D-1032						Nut			1		04-A	128
	15		87-69-941						Track Assembly			1		01-C	126HB
	16		AN3DD-6A						Bolt			2		04-A	128
	13		AN960-D10						Washer			2		04-A	128
	14		365-D-1032						Nut			2		04-A	128
	17		501-AB10-12						Screw			2		29	128
	18		AN960-C10						Washer			2		04-A	128
	19		87-69-963						Handle Assembly			1		01-C	126HB
	13		AN960-D10						Washer			1		04-A	128
	20		AN380-C2-2						Cotter Pin			1		29	128
	21		87-69-957						Link			1		01-C	126HB
	22		AN392-9						Pin			1		04-A	128
	23		AN392-17						Pin			1		04-A	128
	24		AN960-D6						Washer			2		04-A	128
	20		AN380-C2-2						Cotter Pin			2		29	128
	25		87-69-961						Reflector Assembly	A - L		1		01-C	126HB
	26		87-69-939						Support			1		01-C	126HB
	27		AN74A5						Bolt			1		04-A	128
	27		87-69-953						Cover			1		01-C	126HB
	28		AN505-8-6						Screw			4		29	128
	29		AN936-C8						Washer			4		04-A	128
	30		AC43-D12264						Head Assembly G.F.E.	P - up		1		11-A	108B
	31		AC4166436						Sight - Type N3A G.F.E.	A - L		1		11-B	108B
	32		AC42620092						Sight - Type N3B G.F.E.	P - up		1		11-B	108B
	33		AN5-DD-35A						Bolt			1		04-A	128
	34		AN960-D516						Washer			1		04-A	128
	35		365-D524						Nut			1		04-A	128
	36		87-694-1013						Support		P - up	2		01-C	126HB
	37		87-694-1016						Crash Pad Assembly		P - up	1		01-C	126HB
	38		AN3-DD-10A						Bolt		P - up	1		04-A	128
	13		AN960-D10						Washer		P - up	2		04-A	128
	14		365-D-1032						Nut		P - up	1		04-A	128
	39		87-69-962						Sun Screen Installation			1		01-C	126HB
	40		87-69-942-1						Carriage			1		01-C	126HB
	41		87-69-951						Sun Screen Assembly			1		01-C	126HB
	42		87-69-942-2						Cover			1		01-C	126HB
	43		AN505-D8-10						Screw			2		29	128
	44		AN960-A8						Washer			2		04-A	128
	45		68TM-82						Nut (Elastic Stop Corp.)			2		04-A	126HB
	46		87-69-949						Support		C - L	1		01-C	126HB
	47		87-69-756						Crash Pad Assembly		C - L	1		01-C	126HB
	48		AN520-D10-6						Screw		C - L	2		29	128
	49		87-69-611						Washer			1		01-C	126HB
	50		365-624						Nut			1		04-A	128
	51		AN4-12						Bolt			4		04-A	128
	52		AN960-416						Washer			4		04-A	128
	53		365-428						Nut			4		04-A	128

RESTRICTED

221

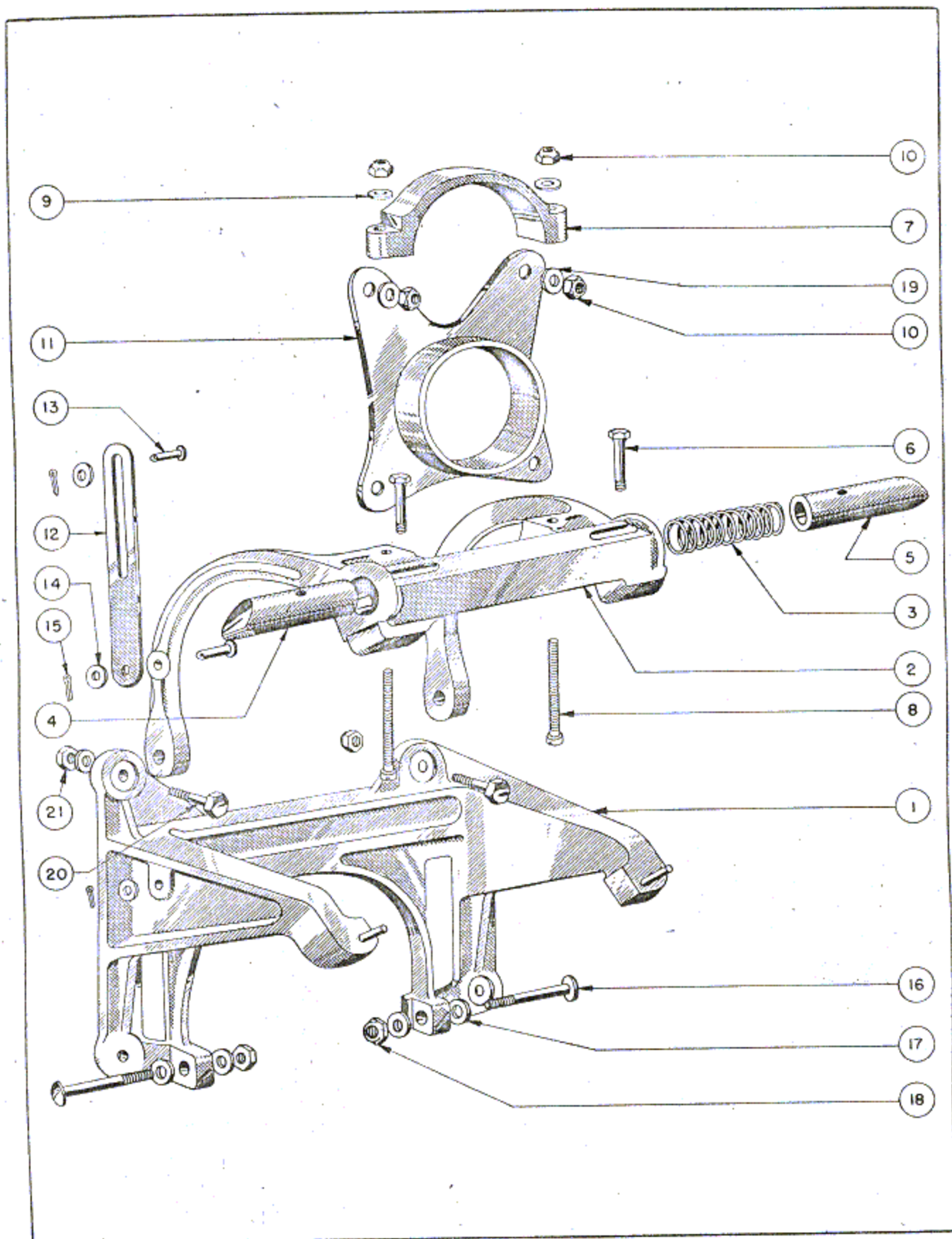


Figure 105—Gun Camera Mount

RESTRICTED
T. O. No. 01-25C-4
SECTION II—GROUP ASSEMBLY PARTS LISTS

FIG. NO.	INDEX NO.	STOCKED	GROUP - FIXED EQUIPMENT						UNITS PER ASSY	PROPERTY CLASSIFICATION			
			MAJOR ASSEMBLY - GUN SIGHT (Cont.)							U.S. NAVY	U.S. ARMY	BRITISH	
			PART NUMBER	1	2	3	4	5					6
104	54		87-69-614		Bead	Sight			A - B	1		01-C	126HB
	55		87-69-613		Ring	Sight			A - B	1		01-C	126HB
	56		87-694-1012		Bead	Sight			C - up	1		01-C	126HB
FIG. NO.	INDEX NO.	STOCKED	GROUP - FIXED EQUIPMENT						UNITS PER ASSY	PROPERTY CLASSIFICATION			
			MAJOR ASSEMBLY - GUN CAMERA MOUNT							U.S. NAVY	U.S. ARMY	BRITISH	
			PART NUMBER	1	2	3	4	5					6
105			87-69-968		Gun Camera Installation				A - up	1		01-C	126HB
			87-69-998		Mount Assembly					1		01-C	126HB
	1		87-69-969		Support Assembly					1		01-C	126HB
			87-69-979		Locking Assembly					1		01-C	126HB
	2		87-69-970		Clamp Assembly					1		01-C	126HB
	3		87-69-977		Spring					1		01-C	126HB
	4		87-69-976L		Plunger					1		01-C	126HB
	5		87-69-976R		Plunger					1		01-C	126HB
	6		87-69-975		Knob					2		01-C	126HB
	7		87-69-970-2		Cap					1		01-C	126HB
	8		AN3-16A		Bolt					2		04-A	128
	9		AN960-10L		Washer					2		04-A	128
	10		365-1032		Nut					2		04-A	128
	11		87-69-621		Adapter					1		01-C	126HB
	12		87-69-981		Link					1		01-C	126HB
	13		AN393-17		Pin					2		04-A	128
	14		AN960-10		Washer					2		04-A	128
	15		AN380-C2-2		Cotter Pin					2		29	128
	16		525-416-20		Screw					2		29	128
	17		1076-DG-.062-.266 .562		Washer					4		01-C	126HB
	18		364-428		Nut					2		04-A	128
19		AN960-D10		Washer					4		04-A	128	
20		365-1032		Nut					4		04-A	128	
21		AN3-5A		Bolt					4		04-A	128	
				Nut					4		04-A	128	
FIG. NO.	INDEX NO.	STOCKED	GROUP - FIXED EQUIPMENT						UNITS PER ASSY	PROPERTY CLASSIFICATION			
			MAJOR ASSEMBLY - WING BOMB INSTALLATION - LEFT PANEL							U.S. NAVY	U.S. ARMY	BRITISH	
			PART NUMBER	1	2	3	4	5					6
106			87-70-500		Wing Bomb Installation				A - B	1		01-C	126HB
	1		87-70-554		Tube Assembly					2		01-C	126HB
	2		AN486-4		Clevis					2		04-A	128
	3		AN316-4R		Nut					2		04-A	128
	4		AN393-11		Pin					4		04-A	128
	5		AN380-2-2		Cotter Pin					4		29	128
	6		87-70-014		Bracket Assembly					1		01-C	126HB
	7		87-70-011		Bracket					1		01-C	126HB
	8		87-70-015		Bellcrank					1		01-C	126HB
	9		87-70-013		Bellcrank					1		01-C	126HB
	10		87-70-016		Spacer					1		01-C	126HB
11		AN5-21A		Bolt					1		04-A	128	

RESTRICTED

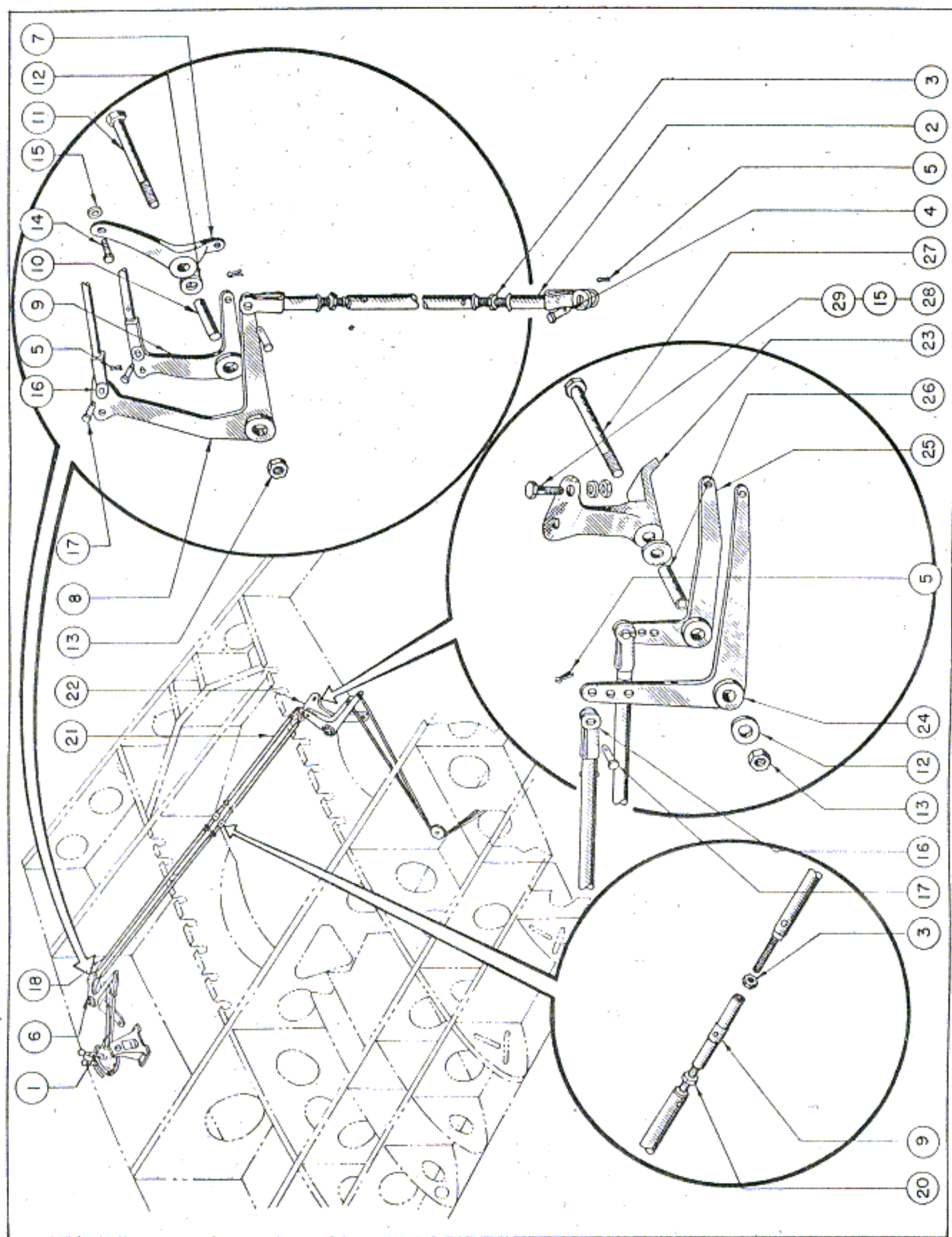


Figure 106—Wing Bomb Installation—Left Hand Panel

RESTRICTED
T.O. No. 01-25C-4
SECTION II—GROUP ASSEMBLY PARTS LISTS

FIG. NO.	INDEX NO.	STOCKED	GROUP - FIXED EQUIPMENT						UNITS PER ASSY	PROPERTY CLASSIFICATION			
			MAJOR ASSEMBLY - WING BOMB INSTALLATION - LEFT PANEL (Cont)							U.S. NAVY	U.S. ARMY	BRITISH	
			PART NUMBER	1	2	3	4	5					6
106	12		87-70-052						2		01-C	126HB	
	13		365-524						1		04-A	128	
	14		AN3-5						3		04-A	128	
	15		AN960-D10						3		04-A	128	
	16		AN481-3P						2		04-A	128	
	17		AN393-15						2		04-A	128	
	5		AN380-2-2						2		29	128	
	18		87-70-026-23-1/2-L						2		01-C	126HB	
	19		AN155-32L						2		04-A	128	
	20		AN316-4L						2		04-A	128	
	3		AN316-4R						2		04-A	128	
	21		87-70-026-16-1/2-R						2		01-C	126HB	
	16		AN481-3P						2		01-A	128	
	17		AN393-15						2		04-A	128	
	5		AN380-2-2						2		29	128	
	22		87-70-533						1		01-C	126HB	
	23		87-70-531						1		01-C	126HB	
	24		87-70-535						1		01-C	126HB	
	25		87-70-536						1		01-C	126HB	
	26		87-70-527						1		01-C	126HB	
	27		AN5-22						1		04-A	128	
	12		87-70-052						2		01-C	126HB	
	13		365-524						1		04-A	128	
	28		AN3-6						3		04-A	128	
	15		AN960-D10						3		04-A	128	
	29		365-1032						3		04-A	128	
	FIG. NO.	INDEX NO.	STOCKED	GROUP - FIXED EQUIPMENT						UNITS PER ASSY	PROPERTY CLASSIFICATION		
				MAJOR ASSEMBLY - WING BOMB INSTALLATION - RIGHT PANEL							U.S. NAVY	U.S. ARMY	BRITISH
PART NUMBER				1	2	3	4	5	6				
107	1		87-70-500						1		01-C	126HB	
	2		87-70-534						1		01-C	126HB	
	3		87-70-534-2						1		01-C	126HB	
	4		AN486-4						1		04-A	128	
	5		AN316-4R						1		04-A	128	
	6		87-70-040						1		01-C	126HB	
	7		AN526-832-12						3		29	128	
	8		AN960-8						3		04-A	128	
	9		365-832						3		04-A	128	
	10		AN393-11						2		04-A	128	
	11		AN380-2-2						2		29	128	
	12		87-70-022-24 1/4						1		01-C	126HB	
	13		87-70-022-24 3/4						1		01-C	126HB	
	14		87-70-026-11 1/4						2		01-C	126HB	
	15		AN155-32L						2		04-A	128	
	4		AN316-4L						2		04-A	128	
	16		AN316-4R						2		04-A	128	
	17		87-70-027						1		01-C	126HB	
	18		AN515-8-14						2		29	128	
	19		365-832						2		04-A	128	
	20		87-70-026-19 1/8R						2		01-C	126HB	
	21		AN481-3P						2		04-A	128	
	10		AN393-15						2		04-A	128	
	22		AN380-2-2						2		29	128	
	23		87-70-532						1		01-C	126HB	
	24		87-70-537						1		01-C	126HB	
	25		87-70-535						1		01-C	126HB	
	26		87-70-536						1		01-C	126HB	
	27		87-70-527						1		01-C	126HB	
28		AN5-22						1		04-A	128		
29		87-70-052						2		01-C	126HB		
								1		01-C	128		

RESTRICTED

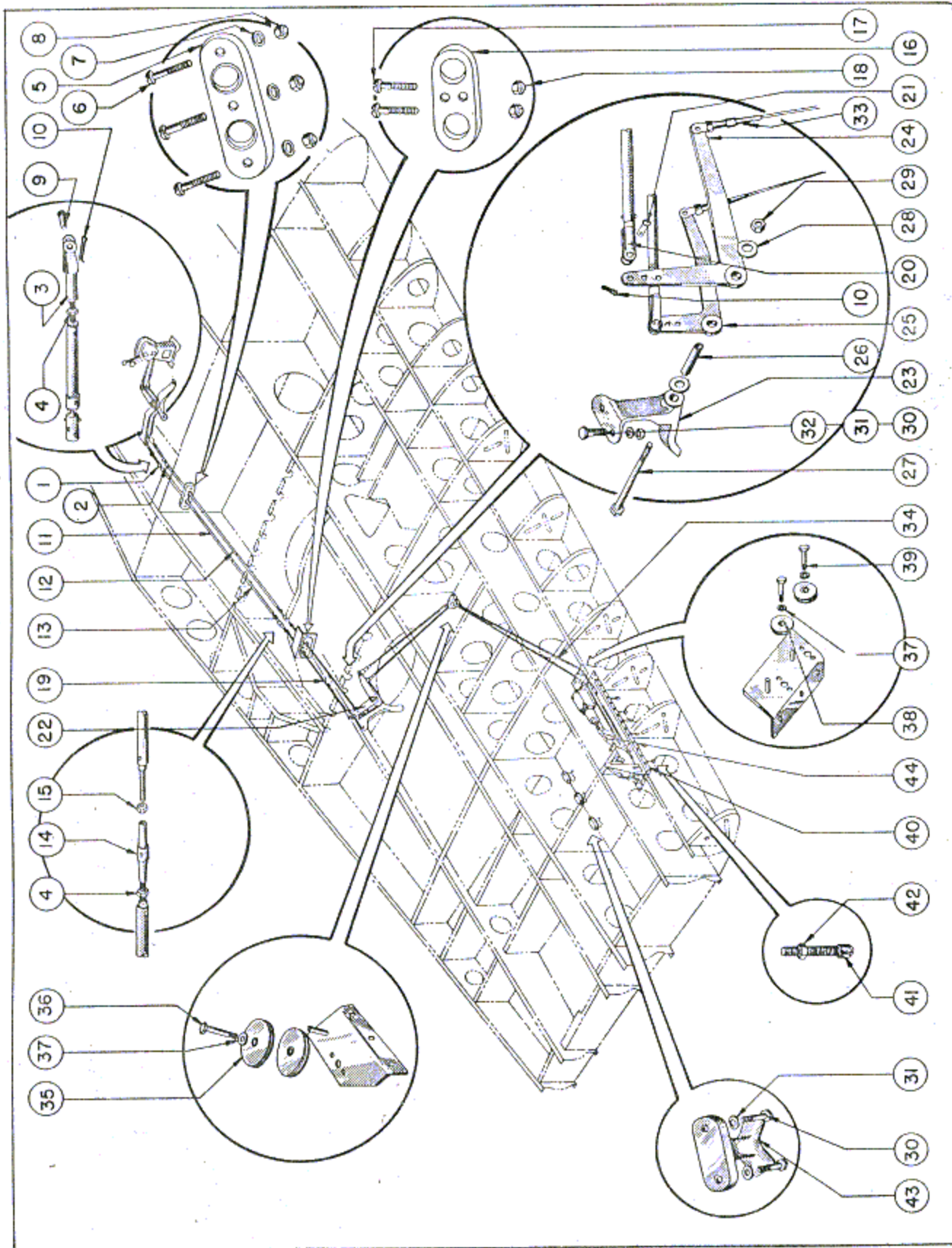


Figure 107—Wing Bomb Installation—Right Hand Panel

RESTRICTED
T.O. No. 01-25C-4
SECTION II—GROUP ASSEMBLY PARTS LISTS

FIG. NO.	INDEX NO.	STOCKED	GROUP - FIXED EQUIPMENT						UNITS PER ASSY	PROPERTY CLASSIFICATION				
			MAJOR ASSEMBLY - WING BOMB INSTALLATION - RIGHT PANEL (Cont.)							U.S. NAVY	U.S. ARMY	BRITISH		
			PART NUMBER	1	2	3	4	5					6	NOMENCLATURE
107	30		AN3-6							3		04-A	128	
	31		AN960-D10							3		04-A	128	
	32		365-1032							3		04-A	128	
	33		FX39120-1							4		01-C	126HB	
	34		87-70-548-62							4		01-C	126HB	
	35		AN210-2A							4		04-A	128	
	36		AN3-12							2		04-A	128	
	37		AN960-C10							2		04-A	128	
	38		AN210-1A							4		04-A	128	
	39		AN3-10							2		04-A	128	
	37		AN960-C10							2		04-A	128	
	40		87-70-501L							1		01-C	126HB	
			87-70-501R							1		01-C	126HB	
	41		87-70-018							12		01-C	126HB	
	42		87-70-019							12		01-C	126HB	
	43		87-70-520L							3		01-C	126HB	
			87-70-520R							3		01-C	126HB	
	30		AN3-6							12		04-A	128	
	31		AN960-D10							12		04-A	128	
	44		39G4427							2		11-A	111A	
108			GROUP - FIXED EQUIPMENT						UNITS PER ASSY	PROPERTY CLASSIFICATION				
			MAJOR ASSEMBLY - BOMB CONTROL AND DOOR							U.S. NAVY	U.S. ARMY	BRITISH		
			PART NUMBER	1	2	3	4	5	6				NOMENCLATURE	
			87-70-500							Wing Bomb Installation			01-C	
	1		87-70-538							Support - Bomb Control	1		01-C	
	2		AN3-7							Bolt - Support Attaching	4		04-A	
	3		AN960-D10							Washer - Support Attaching	4		04-A	
			87-70-050							Control Assembly	1		01-C	
	1		87-70-049							Sector Plate	1		01-C	
	5		AN23-22							Screw - Plate Attaching	2		04-A	
	6		361-1032							Nut - Plate Attaching	2		04-A	
	7		36D5989							Handle Assembly G.F.E.	1		11-A	
	8		AN3-13							Bolt - Control Attaching	3		04-A	
	3		AN960-P10							Washer - Control Attaching	3		04-A	
	9		365-1032							Nut - Plate Attaching	3		04-A	
			87-70-501							Door Assembly - Bomb Rack			01-C	
	10		87-70-515							Bell Crank	1		01-C	
	11		87-70-544							Bushing	1		01-C	
	12		AN3-6							Bolt - Bell Crank Attaching	1		04-A	
	13		AN960-10							Washer - Bell Crank Attaching	1		04-A	
9		365-1032							Nut - Bellcrank Attaching	1		04-A		
14		AN395-25							Pin	1		04-A		
15		AN380-2-2							Cotter Pin	1		29		
16		87-70-525-1							Spring	1		01-C		
17		87-70-525-2							Spring	1		01-C		
18		87-70-524							Angle - Attaching	1		01-C		
19		87-70-523							Angle - Attaching	1		01-C		
20		87-70-525-3							Spring	1		01-C		
21		87-70-513							Block	1		01-C		
22		AN515-8-10							Screw - Block Attaching	2		29		
23		AN960-8							Washer - Block Attaching	2		04-A		
24		365-832							Nut - Block Attaching	2		04-A		
25		AN520-10-17							Screw - Release Attaching	2		29		
13		AN960-10							Washer - Release Attaching	2		04-A		
9		365-1032							Nut - Release Attaching	2		04-A		

RESTRICTED

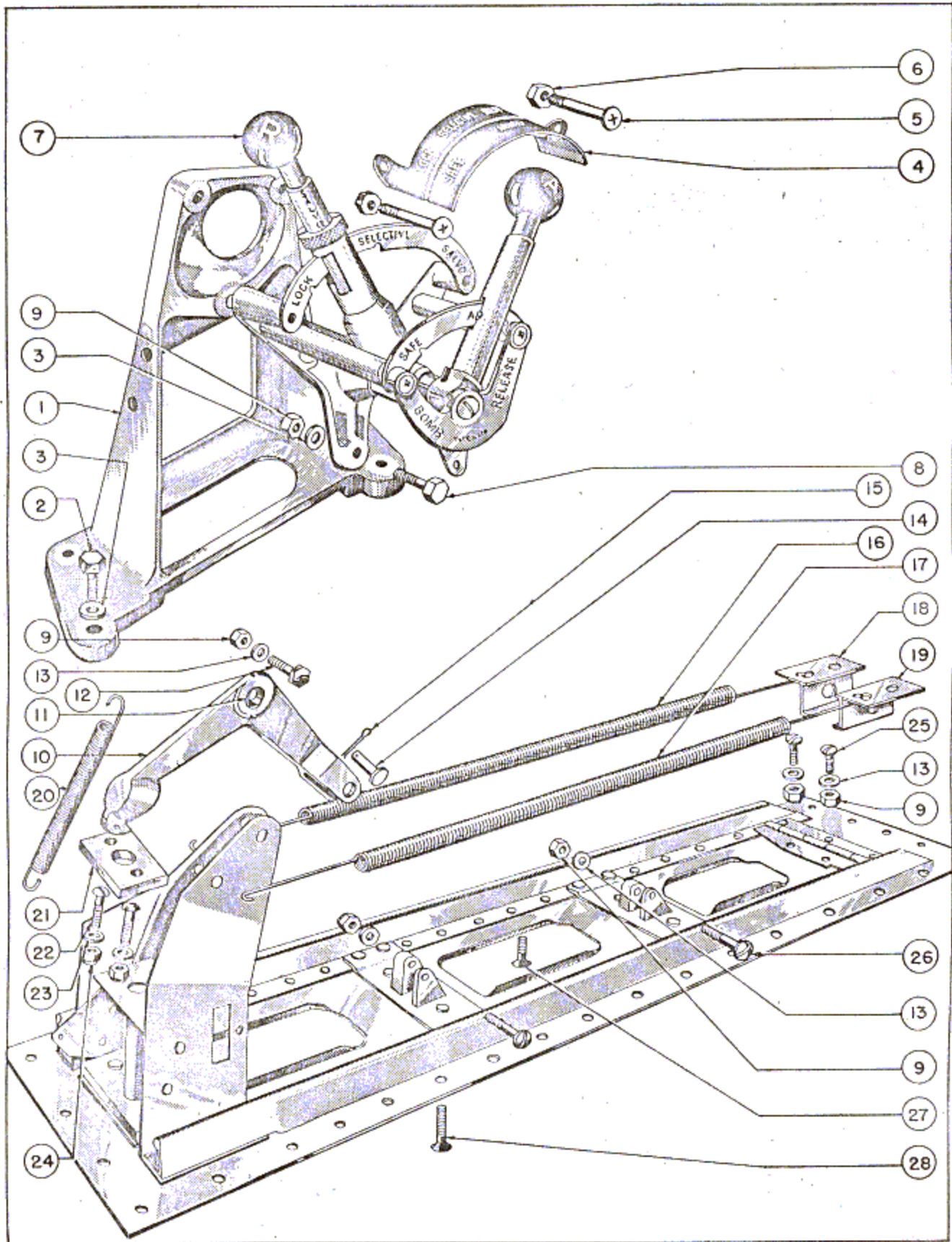


Figure 108—Bomb Control and Door Assembly

RESTRICTED
T. O. No. 01-25C-4
SECTION II—GROUP ASSEMBLY PARTS LISTS

FIG. NO.	INDEX NO.	STOCK #	GROUP - FIXED EQUIPMENT						UNITS PER ASSY	PROPERTY CLASSIFICATION				
			MAJOR ASSEMBLY - BOMB CONTROL AND DOOR ASSEMBLY (Cont.)							U.S. NAVY	U.S. ARMY	BRITISH		
			PART NUMBER	1	2	3	4	5					6	NOMENCLATURE
108	26		AN23-16A						2		04-A	128		
	13		AN960-10						2		04-A	128		
	9		365-1032						2		04-A	128		
	27		1101-DS-10						23		01-C	126HB		
	28		1101-DS-14						18		01-C	126HB		
109			GROUP - FIXED EQUIPMENT						UNITS PER ASSY	PROPERTY CLASSIFICATION				
			MAJOR ASSEMBLY - WING BOMB INSTALLATION							U.S. NAVY	U.S. ARMY	BRITISH		
			PART NUMBER	1	2	3	4	5					6	NOMENCLATURE
		1		87-681-1000							1		01-C	126HB
		2		87-70-559							1		01-C	126HB
		3		87-681-1031-5-185							1		01-C	126HB
		4		87-681-1031-10-184.70							1		01-C	126HB
		5		87-681-1063							1		01-C	126HB
		6		0159268							1		11-A	111A
		7		0168719							1		11-A	111A
		8		0168718							1		11-A	111A
		9		AN315-4R							1		04-A	128
		10		AN8005							1		04-A	128
		11		AN520-10-26							2		29	128
		12		AN960-10							2		04-A	128
		13		364-1032							2		04-A	128
		14		87-681-1031-2-13							1		01-C	126HB
		15		87-681-1031-7-12.40							1		01-C	126HB
		16		87-681-1063							2		01-C	126HB
		17		AN392-19							1		04-A	128
		18		AN392-13							2		04-A	128
		19		AN960-4							3		04-A	128
		20		AN380-C2-2							3		29	128
		21		75-70-452-8							2		01-C	126HB
		22		75-70-441							2		01-C	126HB
		23		AN392-13							6		04-A	128
		24		AN960-4							6		04-A	128
		25		AN380-C2-2							6		29	128
		26		AN210-1A							4		04-A	128
		27		AN23-17A							2		04-A	128
		28		AN960-10							2		04-A	128
		29		364-1032							2		04-A	128
	30		AN23-12A							2		04-A	128	
	31		AN960-10							2		04-A	128	
	32		364-1032							2		04-A	128	
	33		87-681-1056							1		01-C	126HB	
	34		AN520-10-10							6		29	128	
	35		AN960-10							6		04-A	128	
	36		87-681-1022							1		01-C	126HB	
	37		87-681-1031-3-57							1		01-C	126HB	
	38		87-681-1031-8-56.20							1		01-C	126HB	
	39		87-681-1063							1		01-C	126HB	
	40		AN668-2							1		04-A	128	

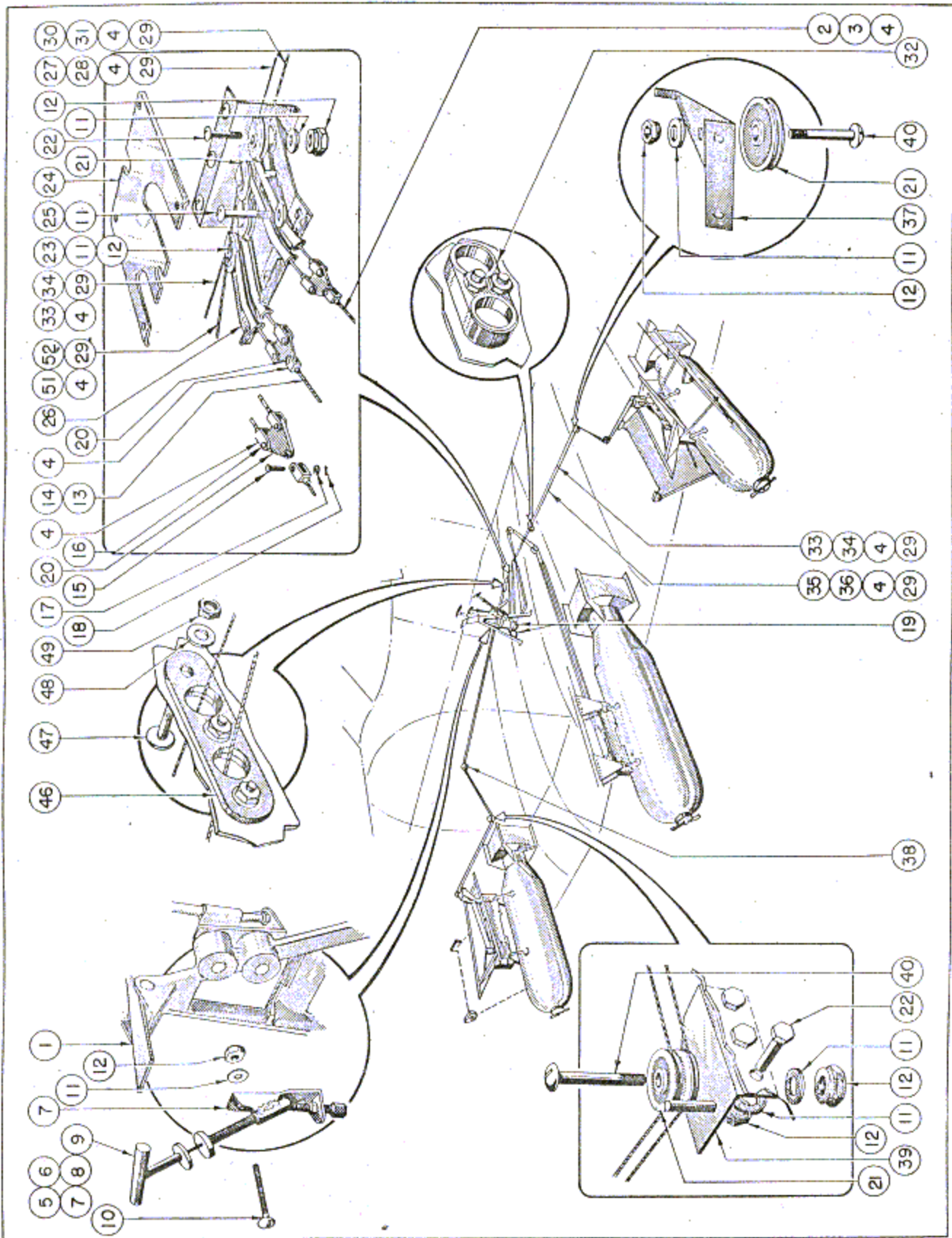


Figure 109—Wing Bomb Installation (Sheet 1 of 2)

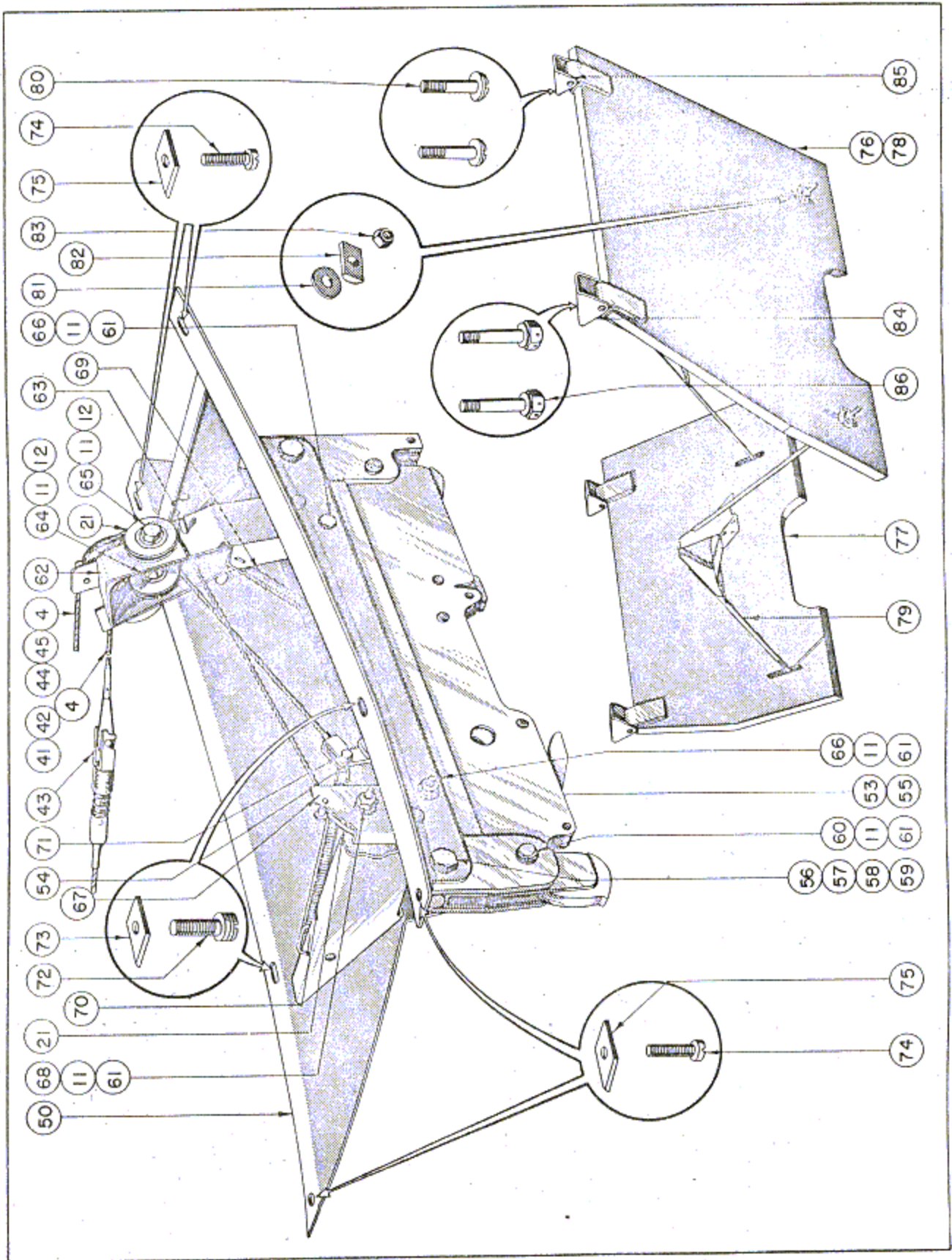


Figure 109—Wing Bomb Installation (Sheet 2 of 2)

RESTRICTED
T.O. No. 01-25C-4
SECTION II—GROUP ASSEMBLY PARTS LISTS

FIG. NO.	INDEX NO.	GROUP - FIXED EQUIPMENT						UNITS PER ASSY	PROPERTY CLASSIFICATION				
		MAJOR ASSEMBLY - WING BOMB INSTALLATION (Cont.)							U.S. NAVY	U.S. ARMY	BRITISH		
		PART NUMBER	1	2	3	4	5					6	NOMENCLATURE
109	30	87-681-1031-3-40							1		01-C	126HB	
	31	87-681-1031-8-39.20							1		01-C	126HB	
	4	87-681-1063							1		01-C	126HB	
	29	AN668-2							1		04-A	128	
	32	87-70-027							2		01-C	126HB	
	33	87-681-1031-3-49							2		01-C	126HB	
	34	87-681-1031-8-48.20							1		01-C	126HB	
	4	87-681-1063							1		01-C	126HB	
	29	AN668-2							1		04-A	128	
	35	87-681-1031-3-31							1		01-C	126HB	
	36	87-681-1031-3-30.20							1		01-C	126HB	
	4	87-681-1063							1		01-C	126HB	
	29	AN668-2							1		04-A	128	
	37	87-681-1021L							1		01-C	126HB	
	38	87-681-1021R							1		01-C	126HB	
	39	87-70-550L							1		01-C	126HB	
		87-70-550R							1		01-C	126HB	
	21	AN210-2A							6		04-A	128	
	40	AN23-10A							4		04-A	128	
	11	AN960-10							4		04-A	128	
	12	364-1032							4		04-A	128	
	22	AN23-17A							2		04-A	128	
	11	AN960-10							2		04-A	128	
	12	364-1032							2		04-A	128	
	41	87-681-1031-1-60							1		01-C	126HB	
	42	87-681-1031-6-58.10							1		01-C	126HB	
	4	87-681-1063							1		01-C	126HB	
	43	64844-14							1				126HB
	44	87-681-1031-1-90							1		01-C	126HB	
	45	87-681-1031-6-88.10							1		01-C	126HB	
	4	87-681-1063							1		01-C	126HB	
	43	64844-14							1				126HB
	46	87-70-040							1		01-C	126HB	
	47	AN526-832-12							3		29	128	
	48	AN960-8							3		04-A	128	
	49	AN365-832							3		04-A	128	
	50	87-681-1033L							1		01-C	126HB	
		87-681-1033R							1		01-C	126HB	
	51	87-681-1031-3-67							1		01-C	126HB	
	52	87-681-1031-8-66.20							1		01-C	126HB	
	4	87-681-1063							1		01-C	126HB	
	29	AN668-2							1		04-A	128	
	53	87-45-533-10							2		01-C	126HB	
	54	87-45-533-5							1		01-C	126HB	
	55	87-45-533-7							1		01-C	126HB	
	56	AN6-12							2		04-A	128	
	57	AN960-616							2		04-A	128	
	58	AN310-6							2		04-A	128	
	59	AN380-3-3							2		29	128	

RESTRICTED
T. O. No. 01-25C-4
SECTION II—GROUP ASSEMBLY PARTS LISTS

FIG. NO.	INDEX NO.	GROUP - FIXED EQUIPMENT						UNITS PER ASSY	PROPERTY CLASSIFICATION			
		MAJOR ASSEMBLY - WING BOMB INSTALLATION (Cont.)							U.S. NAVY	U.S. ARMY	BRITISH	
		PART NUMBER	1	2	3	4	5					6
109	60	AN3-4							6		04-A	128
	11	AN960-10							6		04-A	128
	61	365-1032							6		04-A	128
	62	87-681-1064L							1		01-C	126HB
		87-681-1064R							1		01-C	126HB
	63	1025-D-.188-.313							4		01-C	126HB
	21	AN210-1A							4		04-A	128
	64	AN3-5 ^o							2		04-A	128
	65	AN3-15							1		04-A	128
	11	AN960-10							3		04-A	128
	12	364-1032							3		04-A	128
	66	AN3-4							4		04-A	128
	11	AN960-10							4		04-A	128
	61	365-1032							4		04-A	128
	67	87-681-1028							2		01-C	126HB
	21	AN210-1A							1		04-A	128
	68	AN3-6							1		04-A	128
	11	AN960-10							1		04-A	128
	61	365-1032							1		04-A	128
	66	AN3-4							2		04-A	128
	11	AN960-10							2		04-A	128
	61	365-1032							2		04-A	128
	69	58766-1 1/2							1		01-C	126HB
	70	58766-2 1/2							1		01-C	126HB
	71	PC-2891							2		01-C	126HB
	72	AN502-416-12							2		04-A	128
	73	87-681-1057-2							2		01-C	126HB
	74	AN502-10-12							4		04-A	128
	75	87-681-1057-1							4		01-C	126HB
	76	87-681-1044L							1		01-C	126HB
		87-681-1044R							1		01-C	126HB
	77	87-681-1046-1L							1		01-C	126HB
		87-681-1046-1R							1		01-C	126HB
	78	87-681-1046-2L							1		01-C	126HB
		87-681-1046-2R							1		01-C	126HB
	79	87-681-1042							2		01-C	126HB
80	AN525-10-14							4		29	128	
81	1075-DN-.062-.375 -1.00							4		01-C	126HB	
82	87-681-1039							4		01-C	126HB	
83	365-524							3		04-A	128	
84	87-681-1038-1							2		01-C	126HB	
85	87-681-1038-2							2		01-C	126HB	
86	AN73-10							4		04-A	128	

RESTRICTED

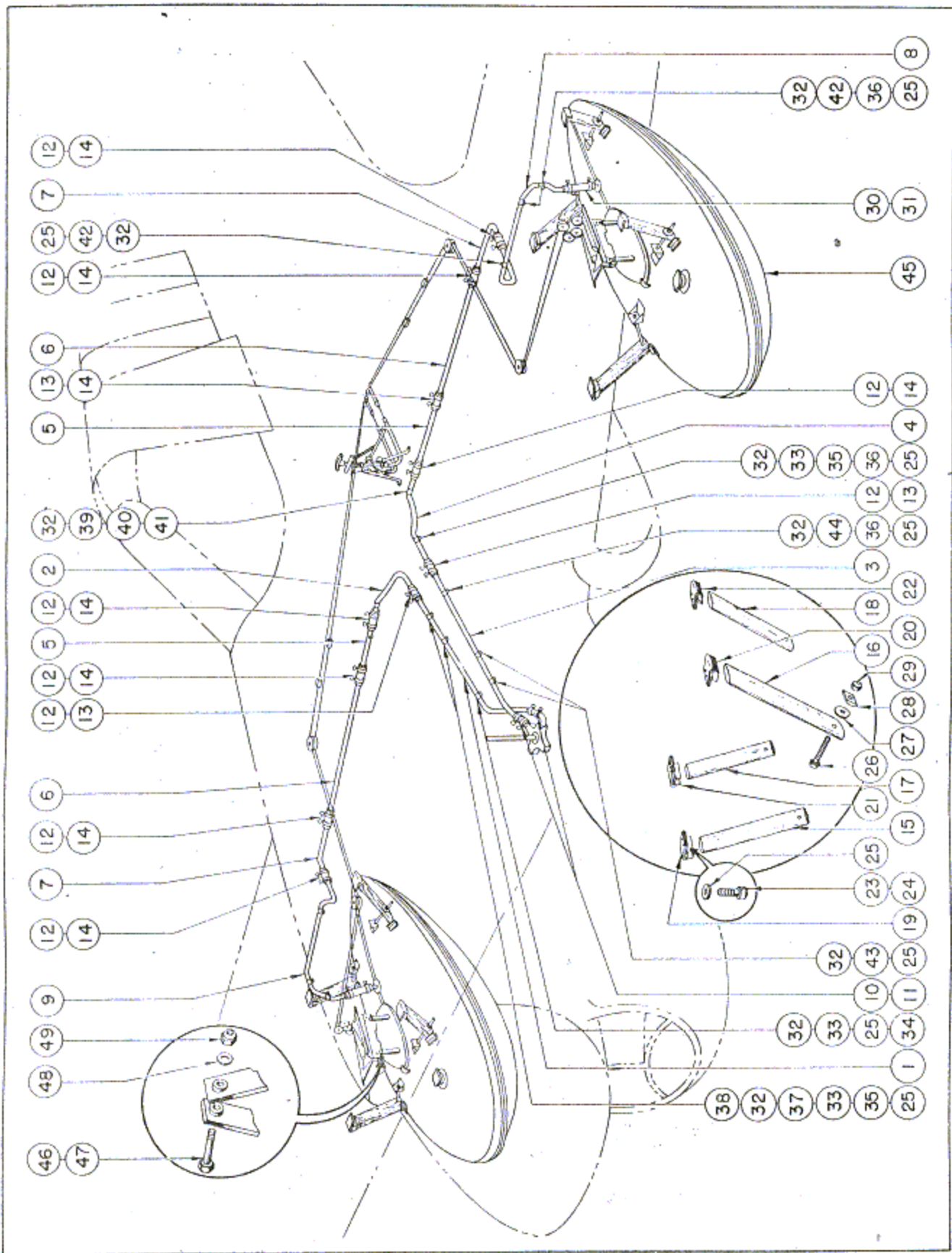


Figure 110—Auxiliary Wing Fuel Tank Installation

RESTRICTED
T. O. No. 01-25C-4
SECTION II—GROUP ASSEMBLY PARTS LISTS

FIG. NO.	INDEX NO.	STOCKED	GROUP—FIXED EQUIPMENT						UNITS PER ASSY	PROPERTY CLASSIFICATION			
			MAJOR ASSEMBLY AUXILIARY WING FUEL TANK INSTALLATION							U.S. NAVY	U.S. ARMY	BRITISH	
			PART NUMBER	1	2	3	4	5					6
110			87-420-1004L	Auxiliary	Wing	Fuel	Tank	Installation	D - up	1		01-C	126HB
			87-420-1004R	Auxiliary	Wing	Fuel	Tank	Installation	D - up	1		01-C	126HB
	1		87-420-1004-24R	Tube	Assembly						1	01-C	126HB
	2		87-420-1004-14R	Tube	Assembly						1	01-C	126HB
	3		87-420-1004-23L	Tube	Assembly						1	01-C	126HB
	4		87-420-1004-12L	Tube	Assembly						1	01-C	126HB
	5		87-420-1004-15	Tube							2	01-C	126HB
	6		87-420-1004-16	Tube							2	01-C	126HB
	7		87-420-1004-17	Tube							2	01-C	126HB
	8		87-420-1004-19L	Tube	Assembly					L.H.	1	01-C	126HB
	9		87-420-1004-19R	Tube	Assembly					R.H.	1	01-C	126HB
	10		884-12-12	Hose							2	04-A	132C
	11		FBA-10	Clamp						(Wittek)	4	04-A	128
	12		884-16-12	Hose							6	04-B	132C
	13		FBA-14	Clamp						(Wittek)	4	04-A	128
	14		FBA-16	Clamp						(Wittek)	4	04-A	128
	15		87-420-1004-2L	Sway	Brace	L.H.				Inboard Front	1	01-C	126HB
			87-420-1004-2R	Sway	Brace	R.H.				Inboard Front	1	01-C	126HB
	16		87-420-1004-3L	Sway	Brace	L.H.				Outboard Front	1	01-C	126HB
			87-420-1004-3R	Sway	Brace	R.H.				Outboard Front	1	01-C	126HB
	17		87-420-1004-5L	Sway	Brace	L.H.				Inboard Rear	1	01-C	126HB
			87-420-1004-5R	Sway	Brace	R.H.				Inboard Rear	1	01-C	126HB
	18		87-420-1004-4L	Sway	Brace	L.H.				Outboard Rear	1	01-C	126HB
			87-420-1004-4R	Sway	Brace	R.H.				Outboard Rear	1	01-C	126HB
	19		87-030-1018L	Channel	Assembly	L.H.				Inboard Front	1	01-C	126HB
			87-030-1018R	Channel	Assembly	R.H.				Inboard Front	1	01-C	126HB
	20		87-030-1019L	Channel	Assembly	L.H.				Outboard Front	1	01-C	126HB
			87-030-1019R	Channel	Assembly	R.H.				Outboard Front	1	01-C	126HB
	21		87-030-1020L	Channel	Assembly	L.H.				Inboard Rear	1	01-C	126HB
			87-030-1020R	Channel	Assembly	R.H.				Inboard Rear	1	01-C	126HB
	22		87-030-1021L	Channel	Assembly	L.H.				Outboard Rear	1	01-C	126HB
			87-030-1021R	Channel	Assembly	R.H.				Outboard Rear	1	01-C	126HB
	23		AN502-10-10	Screw							6	04-A	128
	24		AN502-10-12	Screw							2	04-A	128
	25		AN960-10	Washer							22	04-A	128
	26		1068-DS-52	Cap Screw							4	01-C	126HB
	27		87-420-1004-6	Plate							4	01-C	126HB
	28		87-681-1039	Washer							4	01-C	126HB
	29		AN315-4R	Nut							4	04-A	128
	30		87-420-1004-34	Hose							1	01-C	126HB
	31		FBA-12	Clamp							2	04-A	128
	32		755-16-2-8	Clip							14	04-A	128
	33		87-46-033	Spacer							3	01-C	126HB
	34		AN520-10-22	Screw							1	29	128
	35		AN520-10-20	Screw							2	29	128
	36		365-1032	Nut							6	04-A	128
	37		87-44-581	Spacer							1	01-C	126HB
	38		AN520-10-12	Screw							3	29	128
	39		AN515-8-10	Screw							3	29	128
40		365-832	Nut							3	04-A	128	
41		AN960-8	Washer							3	04-A	128	
42		AN3-4A	Bolt							3	04-A	128	
43		AN525-10-16	Screw							1	29	128	
44		AN520-10-8	Screw							1	29	128	
45		87-420-1001	Tank	Assembly					- 225 Gal. Aux. Wing	1	01-C	126HB	
46		AN7-26	Bolt							1	04-A	128	
47		AN7-24	Bolt							1	04-A	128	
48		AN960-716	Washer							2	04-A	128	
49		364-720	Nut							2	04-A	128	

RESTRICTED

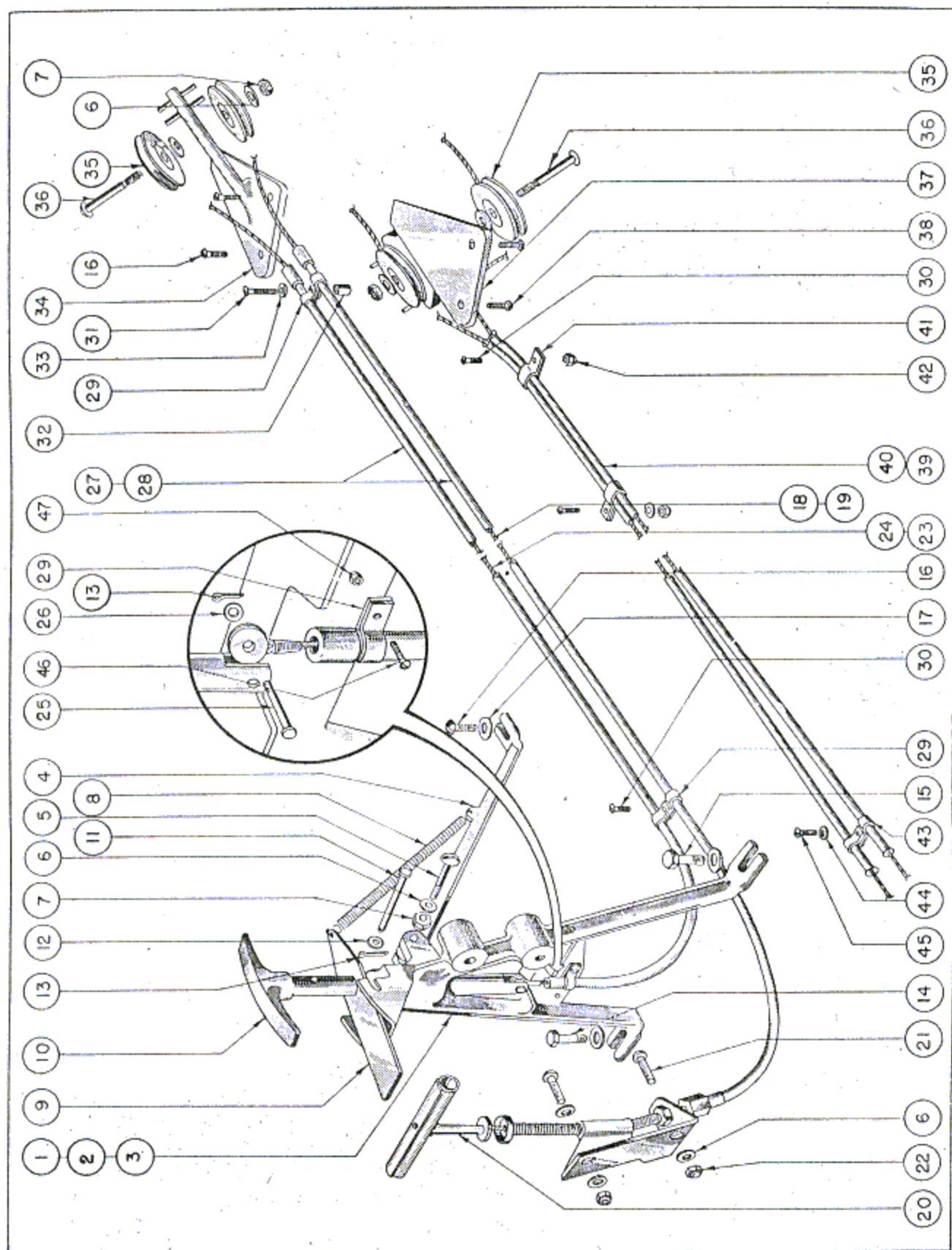


Figure 111—Bomb and Belly Tank Controls

RESTRICTED
T. O. No. 01-25C-4
SECTION II—GROUP ASSEMBLY PARTS LISTS

FIG. NO.	INDEX NO.	STOCKED	GROUP - FIXED EQUIPMENT						UNITS PER ASSY	PROPERTY CLASSIFICATION				
			MAJOR ASSEMBLY - BOMB AND BELLY TANK CONTROLS							U.S. NAVY	U.S. ARMY	BRITISH		
			PART NUMBER	1	2	3	4	5					6	NOMENCLATURE
111			87-45-508								1		01-C	126HB
			87-427-1000-1								1		01-C	126HB
			87-427-1000-2								1		01-C	126HB
	1		87-70-559								1		01-C	126HB
	2		87-70-560								1		01-C	126HB
	3		87-70-560-1								1		01-C	126HB
	4		87-70-560-2								1		04-A	128
	5		AN23-17A								1		04-A	128
	6		AN960-D10								1		04-A	128
	7		364-1032								1		01-C	126HB
	8		87-70-567								1		01-C	126HB
	9		87-70-564								1		01-C	126HB
	10		87-70-561								1		04-A	128
	11		AN393-49								1		04-A	128
	12		AN960-10								1		29	128
	13		AN380-C2-2								1		04-A	128
	14		AN3-11								1		04-A	128
	15		AN3-10								1		29	128
	16		525-10-12								3		29	128
	17		AN940-316								1		01-C	126HB
	18		87-45-544-120								1		01-C	126HB
	19		87-681-1031-4-127								1		11-A	111A
	20		0159268								2		29	128
	21		AN520-10-24								4		04-A	128
	6		AN960-D10								2		04-A	128
	22		365-1032											
	23		75-70-448-4-120								1		01-C	126HB
	24		87-681-1031-2-127								1		01-C	126HB
	25		AN392-19								1		04-A	128
	26		AN960-4								1		04-A	128
	13		AN380-C2-2								2		01-C	126HB
	27		75-70-452-24								2		01-C	126HB
	28		75-70-452-31								2		01-C	126HB
	29		1042-DA-5								2		29	128
	30		530-8-8								2		01-C	126HB
	29		1042-DA-5								2		29	128
	31		AN515-8-16								2		01-C	126HB
	32		1027-D-.375-.50								2		04-A	128
	33		AN960-D8								1		01-C	126HB
	34		87-45-542								2		29	128
	16		525-10-12								2		04-A	128
	35		AN210-1A								1		04-A	128
	36		AN23-20								1		04-A	128
	6		AN960-D10								1		04-A	128
	7		364-1032								1		01-C	126HB
	37		87-45-545								2		29	128
	38		525-10-16								2		04-A	128
35		AN210-1								1		04-A	128	
36		AN23-26								1		04-A	128	
6		AN960-D10								1		04-A	128	
7		364-1032								2		01-C	126HB	
39		87-45-508-11								2		01-C	126HB	
40		87-427-1000-6								2		01-C	126HB	
41		84-66-040								2		29	128	
30		530-8-8								2		01-C	126HB	
42		1123-D-4								2		01-C	126HB	
43		1042-DA-4								2		01-C	126HB	
44		87999-6								2		01-C	126HB	
45		1029-E-6-7								1		01-C	126HB	
29		1042-DA-5								1		29	128	
46		AN515-8-10								1		04-A	128	
47		365-832												

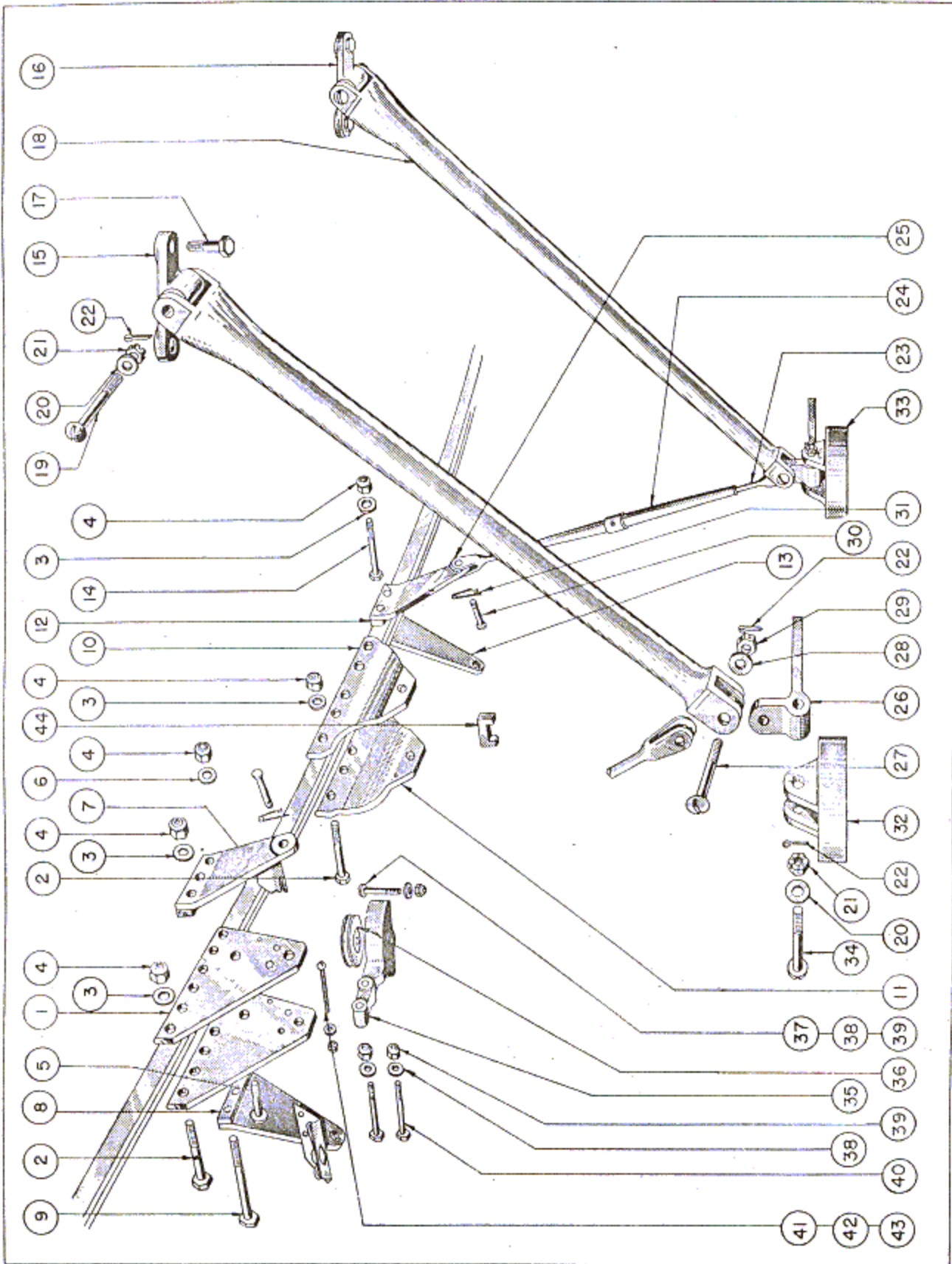


Figure 112—Bomb and Belly Tank Support

RESTRICTED
T. O. No. 01-25C-4
SECTION II—GROUP ASSEMBLY PARTS LISTS

FIG. NO.	INDEX NO.	SYMBOL	GROUP - FIXED EQUIPMENT						UNITS PER ASSY	PROPERTY CLASSIFICATION			
			MAJOR ASSEMBLY - BOMB & BELLY TANK SUPPORT							U.S. NAVY	U.S. ARMY	BRITISH	
			PART NUMBER	1	2	3	4	5					6
112			87-45-508	Bomb & Belly Tank								01-C	126HB
			87-427-1000-1	Bomb & Belly Tank								01-C	126HB
			87-427-1000-2	Bomb & Belly Tank								01-C	126HB
		1		87-45-519	Fitting - Front						2	01-C	126HB
		2		AN6-16A	Bolt						3	04-A	128
		3		AN960-D616	Washer						3	04-A	128
		4		365-624	Nut						3	04-A	128
		5		AN6-15A	Bolt						1	04-A	128
		6		AN960-616	Washer						1	04-A	128
		4		365-624	Nut						1	04-A	128
		7		87-45-539L	Lug Assembly						1	01-C	126HB
		8		87-45-539R	Lug Assembly						1	01-C	126HB
		9		AN6-27A	Bolt						3	04-A	128
		3		AN960-D616	Washer						3	04-A	128
		4		365-624	Nut						3	04-A	128
		10		87-45-518L	Fitting						1	01-C	126HB
		11		87-45-518R	Fitting						1	01-C	126HB
		2		AN6-16A	Bolt						5	04-A	128
		3		AN960-D616	Washer						5	04-A	128
		4		365-624	Nut						5	04-A	128
		12		87-45-540L	Lug Assembly						1	01-C	126HB
		13		87-45-540R	Lug Assembly						1	01-C	126HB
		14		AN6-23A	Bolt						2	04-A	128
		3		AN960-D616	Washer						2	04-A	128
		4		365-624	Nut						2	04-A	128
		15		87-45-531-1L	Fitting						1	01-C	126HB
				87-45-531-1R	Fitting						1	01-C	126HB
		16		87-45-531-2L	Fitting						1	01-C	126HB
				87-45-531-2R	Fitting						1	01-C	126HB
		17		AN3-7A	Bolt						8	04-A	128
		18		87-45-535	Sway Brace						4	01-C	126HB
		19		AN24-44	Bolt						4	04-A	128
		20		AN960-D416	Washer						4	04-A	128
		21		AN320-4	Nut						4	04-A	128
		22		AN380-C2-2	Cotter Pin						4	29	128
		23		AN161-46LL	Fork						4	04-A	128
		24		AN155-46L	Barrel						4	04-A	128
		25		87-70-914	Fork						4	01-C	126HB
	26		87-70-912	Fitting						4	01-C	126HB	
	27		AN25-22	Bolt						4	04-A	128	
	28		AN960-D516	Washer						4	04-A	128	
	29		AN320-5	Nut						4	04-A	128	
	22		AN380-C2-2	Cotter Pin						4	29	128	
	30		AN395-19	Pin						4	04-A	128	
	31		1061-D-1	Pin						4	01-C	126HB	
	32		87-45-538	Support						6	01-C	126HB	
	33		87-45-543	Pad						4	04-A	128	
	34		AN24-24	Bolt						4	04-A	128	
	20		AN960-D416	Washer						4	04-A	128	
	21		AN320-4	Nut						4	29	128	
	22		AN380-C2-2	Cotter Pin						4	01-C	126HB	
	35		87-70-565	Pulley Bracket						1	04-A	128	
	36		AN210-1A	Pulley						1	04-A	128	
	37		AN23-13	Bolt						1	04-A	128	
	38		AN960-D10	Washer						1	04-A	128	
	39		365-1032	Nut						2	04-A	128	
	40		AN3-14	Bolt						2	04-A	128	
	38		AN960-D10	Washer						2	04-A	128	

RESTRICTED

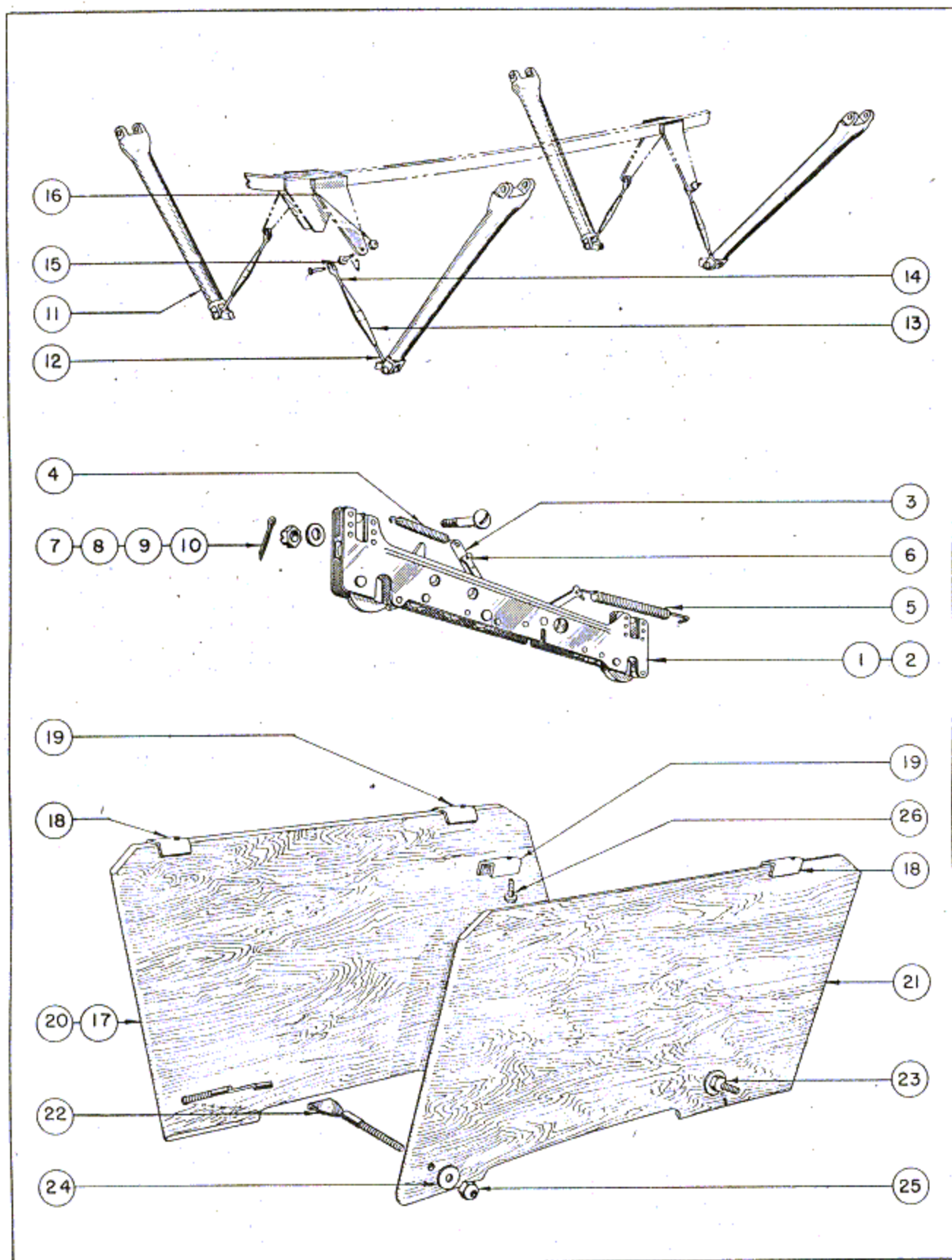


Figure 113—Bomb and Belly Tank Support

RESTRICTED
T. O. No. 01-25C-4
SECTION II—GROUP ASSEMBLY PARTS LISTS

FIG. NO.	INDEX NO.	STOCK KEY	GROUP - FIXED EQUIPMENT						UNITS PER ASSY	PROPERTY CLASSIFICATION		
			MAJOR ASSEMBLY - BOMB & BELLY TANK SUPPORT (Cont.)							U.S. NAVY	U.S. ARMY	BRITISH
			PART NUMBER	1	2	3	4	5				
112	39		365-1032						2		04-A	128
	41		AN515-6-20					Nut	1		29	128
	42		AN960-D6					Screw	1		04-A	128
	43		365-632					Washer	1		04-A	128
	44		87-70-913					Nut	1		01-C	126HB
								Block	1			
FIG. NO.	INDEX NO.	STOCK KEY	GROUP - FIXED EQUIPMENT						UNITS PER ASSY	PROPERTY CLASSIFICATION		
			MAJOR ASSEMBLY - BOMB & BELLY TANK SUPPORT							U.S. NAVY	U.S. ARMY	BRITISH
			PART NUMBER	1	2	3	4	5				
113			87-45-508					Bomb & Belly Tank Installation A - B			01-C	126HB
			87-427-1000-1					Bomb & Belly Tank Installation C			01-C	126HB
			87-427-1000-2					Bomb & Belly Tank Installation D - up			01-C	126HB
	1		87-45-533					Shackle Assembly	1		01-C	126HB
	2		J3D5226					Shackle - Type B - 7 G.F.E.	1		11-A	111A
	3		87-45-533-5					Extension	1		01-C	126HB
	4		58766-1.5					Spring	1		01-C	126HB
	5		58766-2.5					Spring	1		01-C	126HB
	6		PC2801					Pin	2		04-A	128
	7		AN26-20					Bolt	2		04-A	128
	8		AN960-D616					Washer	2		04-A	128
	9		AN320-6					Nut	2		04-A	128
	10		AN380-C3-3					Cotter Pin	2		29	128
	11		87-45-535					Sway Brace				
	12		161-46LL					Fork			01-C	126HB
	13		AN155-46L					Barrel			04-A	128
	14		87-70-914					Fork			04-A	128
	15		AN45-5					Eyebolt (100# Bomb only)	4		01-C	126HB
	16		365-524					Nut (100# Bomb only)	4		04-A	128
	17		800-A					Sway Brace Assembly GFE				
	18		800-A18					Mackensie Muffler Co.	1		11-A	126HB
	19		800-A17					Channel (Mackensie Muffler Co.)	2		11-A	126HB
	20		800-A11					Channel (Mackensie Muffler Co.)	2		11-A	126HB
	21		800-A12					Sway Brace (Mackensie Muffler Co.)	2		11-A	126HB
	22		800-A4					Sway Brace (Mackensie Muffler Co.)	2		11-A	126HB
	23		800-A2					Strap Assembly (Mackensie Muffler Co.)	2		11-A	126HB
24		800-A7					Strap Assembly (Mackensie Muffler Co.)	2		11-A	126HB	
25		800-A8					Washer (Mackensie Muffler Co.)	4		11-A	126HB	
26		AN520-10-14					Nut (Mackensie Muffler Co.)	4		11-A	126HB	
							Screw	4		29	128	

RESTRICTED

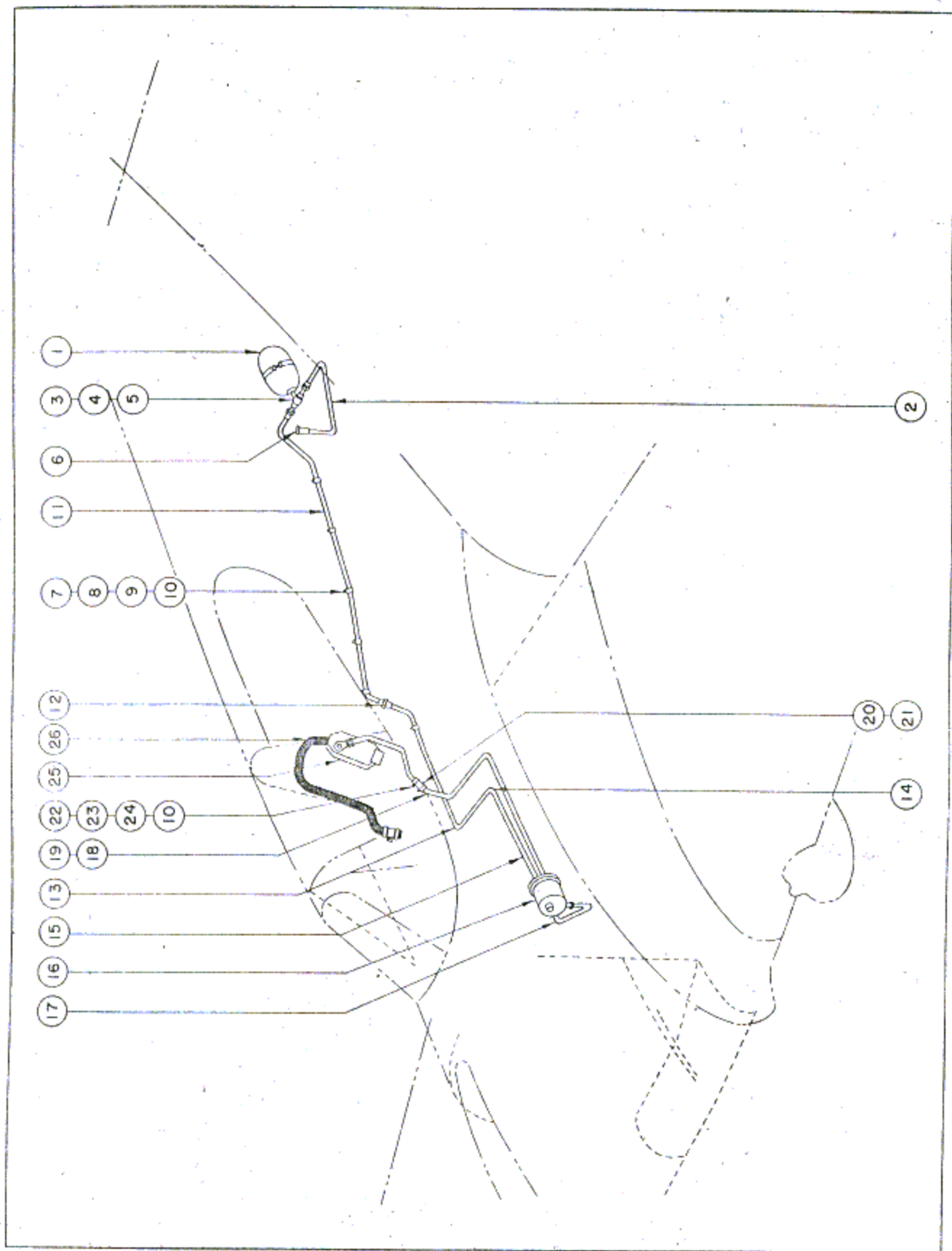


Figure 114—Oxygen System

RESTRICTED
T. O. No. 01-25C-4
SECTION II—GROUP ASSEMBLY PARTS LISTS

FIG. NO.	INDEX NO.	SYMBOL	GROUP - FIXED EQUIPMENT						UNITS PER ASSY	PROPERTY CLASSIFICATION											
			MAJOR ASSEMBLY - OXYGEN SYSTEM							U.S. NAVY	U.S. ARMY	BRITISH									
			PART NUMBER	1	2	3	4	5					6	NOMENCLATURE							
114			87-83-507-25														Oxygen System Installation AF43-5403 to AF43-5477	1		01-C	126HB
	1	Type F1															Oxygen Bottle Spec. #40330 GFE	1		03-K	106D
	2	87-83-502-3															Tube Assembly	1		01-C	126HB
	3	Type 2															Check Valve - Style C, Spec. 40325-A	1		03-K	106D
	4	811ST-5															Tee	1		04-A	128
	5	AN912-10															Reducer	1		04-A	128
	6	87-83-533															Filler Valve	1		01-C	126HB
	7	A-755-5-2-6															Clip (Adel Prod.)	12		04-A	128
	8	AN515-8-7															Screw	12		29	128
	9	AN936-B-8															Washer	12		04-A	128
	10	365-832															Nut	12		04-A	128
	11	87-83-507-1															Tube Assembly	1		01-C	126HB
	12	75-33-101-HT-5-2330															Union	1		01-C	126HB
	13	87-83-507-21															Tube Assembly	1		01-C	126HB
	14	811FT-5															Elbow	1		04-A	128
	15	87-83-507-20															Tube Assembly	1		01-C	126HB
	16	Type A-9A															Oxygen Regulator Spec. 94-40319	1		03-K	106D
	17	87-83-507-23															Tube Assembly	1		01-C	126HB
	18	811CT-45-5															Elbow	1		04-A	128
	19	AN910-1D															Nipple	1		04-A	128
	20	41B2987															Fitting	1		03-K	106D
	21	41A2988															Fitting	1		03-K	106D
	22	735-8															Clamp	2		04-A	128
	23	AN515-8-10															Screw	2		29	128
	24	AN960-8															Washer	2		04-A	128
	10	365-832															Nut	2		04-A	128
25	87-83-508															Evaporizer Installation	1		01-C	126HB	
26	106D147															Tube - British Furnished (W8304)	1		03-K	6D	
115			87-83-570														Oxygen System Installation AF43-5478 -P	1		01-C	126HB
	1	Type F1															Oxygen Bottle Spec. 40330 GFE	1		03-K	106D
	2	87-83-501															Support Assembly Installation	1		01-C	126HB
	3	87-83-512															Support Assembly	1		01-C	126HB
	4	87-83-513-1															Strap	1		01-C	126HB
	5	87-83-513-4															Strap	1		01-C	126HB
	6	AN24-21															Bolt	2		04-A	128
	7	AN960-416															Washer	2		04-A	128
	8	AN320-4															Nut	2		04-A	128
	9	AN380-2-2															Cotter Pin	2		29	128
	10	1036-D-3															Screw	1		01-C	126HB
	11	87-83-570-17															Tube Assembly	1		01-C	126HB
	12	=1660															Filler Valve Schrader (87-83-533)	1		03-K	106D
	13	87-83-570-1															Tube Assembly	1		01-C	126HB
	14	755-5-2-6															Clamp	5		04-A	128
	15	520-10-8															Screw	5		29	128
	16	AN960-10															Washer	5		04-A	128
	17	365-1032															Nut	5		04-A	128
	18	87-83-570-19															Tube Assembly	1		01-C	126HB
	14	755-5-2-6															Clamp	4		04-A	128

RESTRICTED

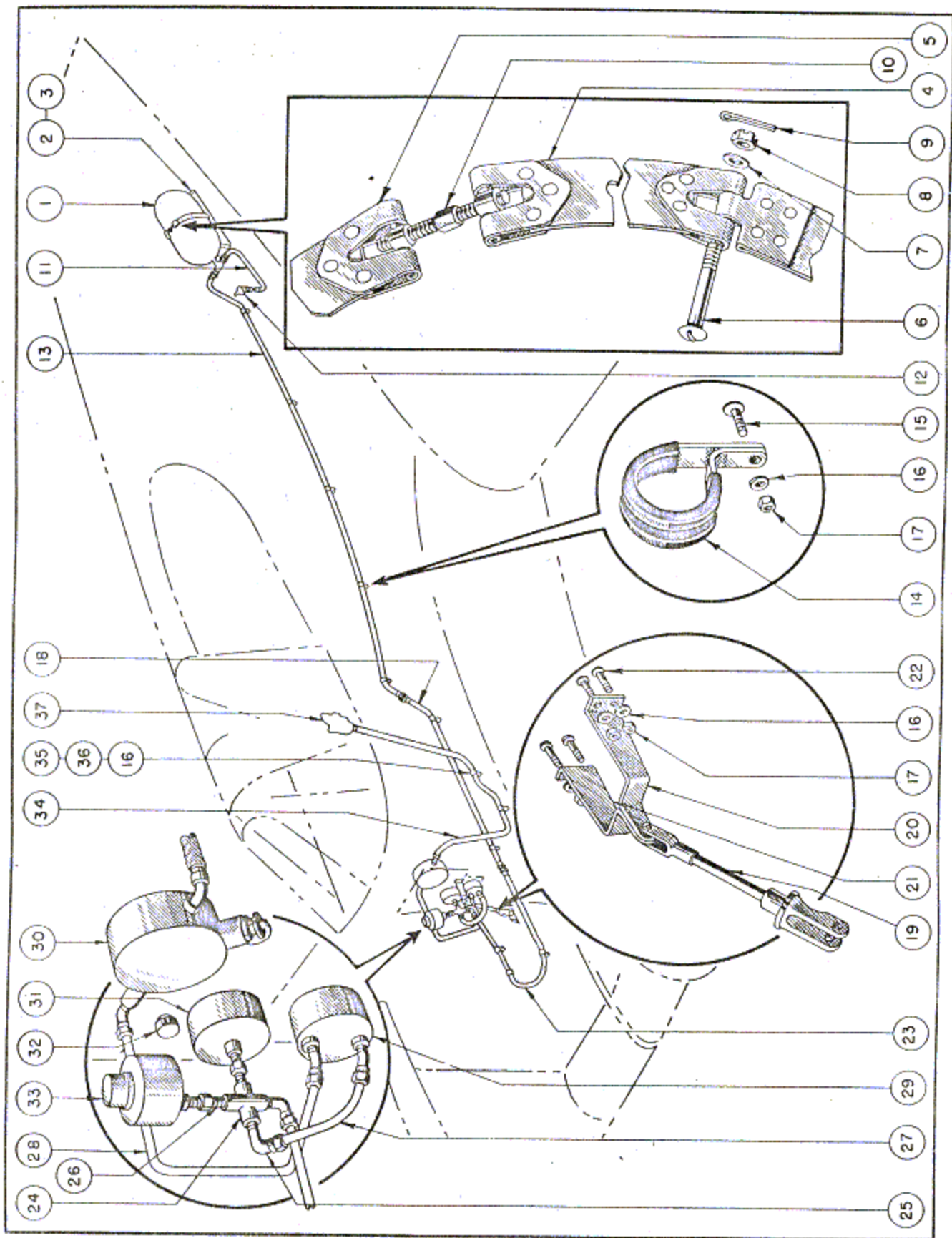


Figure 115—Oxygen System

RESTRICTED

T. O. No. 01-25C-4

SECTION II—GROUP ASSEMBLY PARTS LISTS

FIG. NO.	INDEX NO.	STOCK NO.	GROUP - FIXED EQUIPMENT						UNITS PER ASSY	PROPERTY CLASSIFICATION					
			MAJOR ASSEMBLY - OXYGEN SYSTEM (Cont.)							U.S. NAVY	U.S. ARMY	BRITISH			
			PART NUMBER	1	2	3	4	5					6	NOMENCLATURE	
115	15		520-10-8								4		29	128	
	16		AN960-10								4		04-A	128	
	17		365-1032								4		04-A	128	
	19		87-33-554								1		01-C	126HB	
	20		87-83-572L								1		01-C	126HB	
	21		87-83-572R								1		01-C	126HB	
	22		AN510-10-8								4		29	128	
	16		AN960-10								4		04-A	128	
	17		365-1032								4		04-A	128	
	23		87-83-570-21								1		01-C	126HB	
	24		AN918-1								1		04-A	128	
	25		811-CT-5								5		04-A	128	
	26		AN911-1								2		04-A	128	
	27		87-83-570-15								1		01-C	126HB	
	28		87-83-570-13								1		01-C	126HB	
	29		Type A-1								1		03-K	106D	
	30		Type A-12								1		03-K	106D	
	31		Type K-1								1		03-K	106D	
	32		4283593-2								1		03-C	105C	
	33		Type G-1								1		03-K	106D	
	34										1		03-K	106D	
	35		1042-DS-18								3		01-C	126HB	
	36		530-10-10								3		29	128	
	16		AN960-10								3		04-A	128	
	37		A-10								1		13	106D	
	GROUP - FIXED EQUIPMENT												PROPERTY CLASSIFICATION		
	FIG. NO.	INDEX NO.	STOCK NO.	MAJOR ASSEMBLY - OXYGEN SYSTEM						UNITS PER ASSY	U.S. NAVY	U.S. ARMY	BRITISH		
				PART NUMBER	1	2	3	4	5					6	NOMENCLATURE
	116	1		87-670-1000								1		01-C	126HB
		2		Type F-1								1		03-K	106D
		3		87-83-501								1		01-C	126HB
		4		87-83-512								1		01-C	126HB
		5		87-83-513-1								1		01-C	126HB
		6		87-83-513-4								1		01-C	126HB
		7		AN24-21								2		04-A	128
		8		AN960-416								2		04-A	128
		9		AN320-4								2		04-A	128
10			AN380-2-2								2		29	128	
11			1036-D-3								2		01-C	126HB	
12			87-670-1000-3								1		01-C	126HB	
13			1660								1		03-K	106D	
14			87-670-1000-1								1		01-C	126HB	
15			755-5C-2-6								5		04-A	128	
16			520-10-8								5		29	128	
17			AN960-10								5		04-A	128	
18			365-1032								5		04-A	128	
18			87-670-1000-30								1		01-C	126HB	
19			AN815-5D								1		04-A	128	
14		755-5C-2-6								3		01-C	128		
15		520-10-8								3		29	128		
16		AN960-10								3		04-A	128		

RESTRICTED

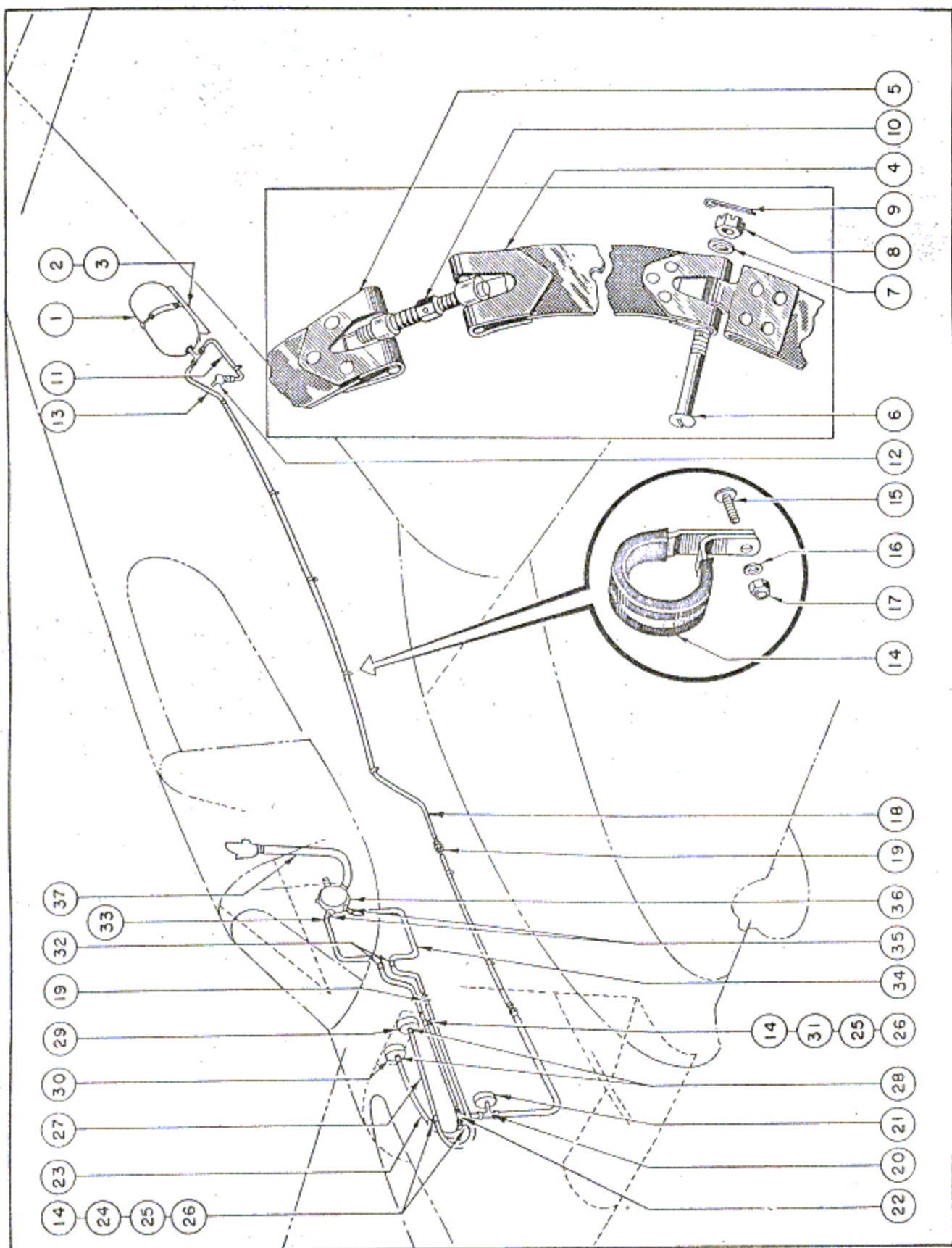


Figure 116—Oxygen System

RESTRICTED
T.O. No. 01-25C-4
SECTION II—GROUP ASSEMBLY PARTS LISTS

FIG. NO.	INDEX NO.	STOCK #	GROUP - FIXED EQUIPMENT						UNITS PER ASSY	PROPERTY CLASSIFICATION				
			MAJOR ASSEMBLY - OXYGEN SYSTEM (Cont.)							U.S. NAVY	U.S. ARMY	BRITISH		
			PART NUMBER	1	2	3	4	5					6	NOMENCLATURE
116	17		365-1032							3		04-A	128	
	20		AN825-5D							2		04-A	128	
	21		Type G-1						Pressure Signal	1		03-C	106D	
	22		AN824-5D						Tee	1		04-A	128	
	23		87-670-1000-3A						Tube Assembly	1		01-C	126HB	
	14		1065-DC-5						Clamp	4		01-C	126HB	
	24		530-8-10						Screw	4		29	128	
	25		AN960-8						Washer	4		04-A	128	
	26		1123-D-4						Nut	4		01-C	126HB	
	27		87-670-1000-38						Tube Assembly	1		01-C	126HB	
	28		AN816-5D						Connector	2		04-A	128	
	29		Type 3						Flow Indicator - Spec. 40427	1		03-K	106D	
	30		Type K-1						Pressure Gage - Spec. 27368	1		03-K	106D	
	14		1065-DC-5						Clamp	2		01-C	126HB	
	31		530-8-8						Screw	2		29	128	
	25		AN960-8						Washer	2		04-A	128	
	26		1123-D-4						Nut	2		01-C	126HB	
	19		AN815-5D						Union	1		04-A	128	
	32		AN931-5-12						Grommet	2		04-B	128	
	33		87-670-1000-34						Tube Assembly	1		01-C	126HB	
	34		87-670-1000-40						Tube Assembly	1		01-C	126HB	
	35		AN823-5D						Elbow	2		04-A	128	
	36		Type A-12						Demand Regulator - Spec. 40370	1		03-K	106D	
	37		40387-A						Mask Regulator Tubing GFE	1		03-K	106D	
	117			87-670-1002						Oxygen System Installation	1		01-C	126HB
		1		1660						Filler Valve Schrader (87-83-533)	1		03-K	106D
		2		87-670-1002-1						Tube Assembly	1		01-C	126HB
		3		1065-DC-5						Clamp	5		01-C	126HB
		4		530-8-10						Screw	5		29	128
		5		AN960-8						Washer	5		04-A	128
		6		1123-D-4						Nut	5		01-C	126HB
		7		87-670-1004						Support Assembly	1		01-C	126HB
		8		AN4-4						Bolt	2		04-A	128
		9		AN960-416L						Washer	2		04-A	128
		10		365-428						Nut	2		04-A	128
		11		87-670-1003						Support Assembly	1		01-C	126HB
		12		AN3-4						Bolt	4		04-A	128
13			AN960-10						Washer	4		04-A	128	
14			365-1032						Nut	4		04-A	128	
15			AN824-5D						Tee	1		04-A	128	
16			43A9028						Valve Assembly - Style C	2		03-K	106D	
17			87-670-1002-15						Tube Assembly	1		01-C	126HB	
18			87-670-1002-17						Tube Assembly	1		01-C	126HB	
19			94-40355						Oxygen Bottle Type D-2	2		03-K	106D	
20		87-670-1002-25						Tube Assembly	1		01-C	126HB		

RESTRICTED

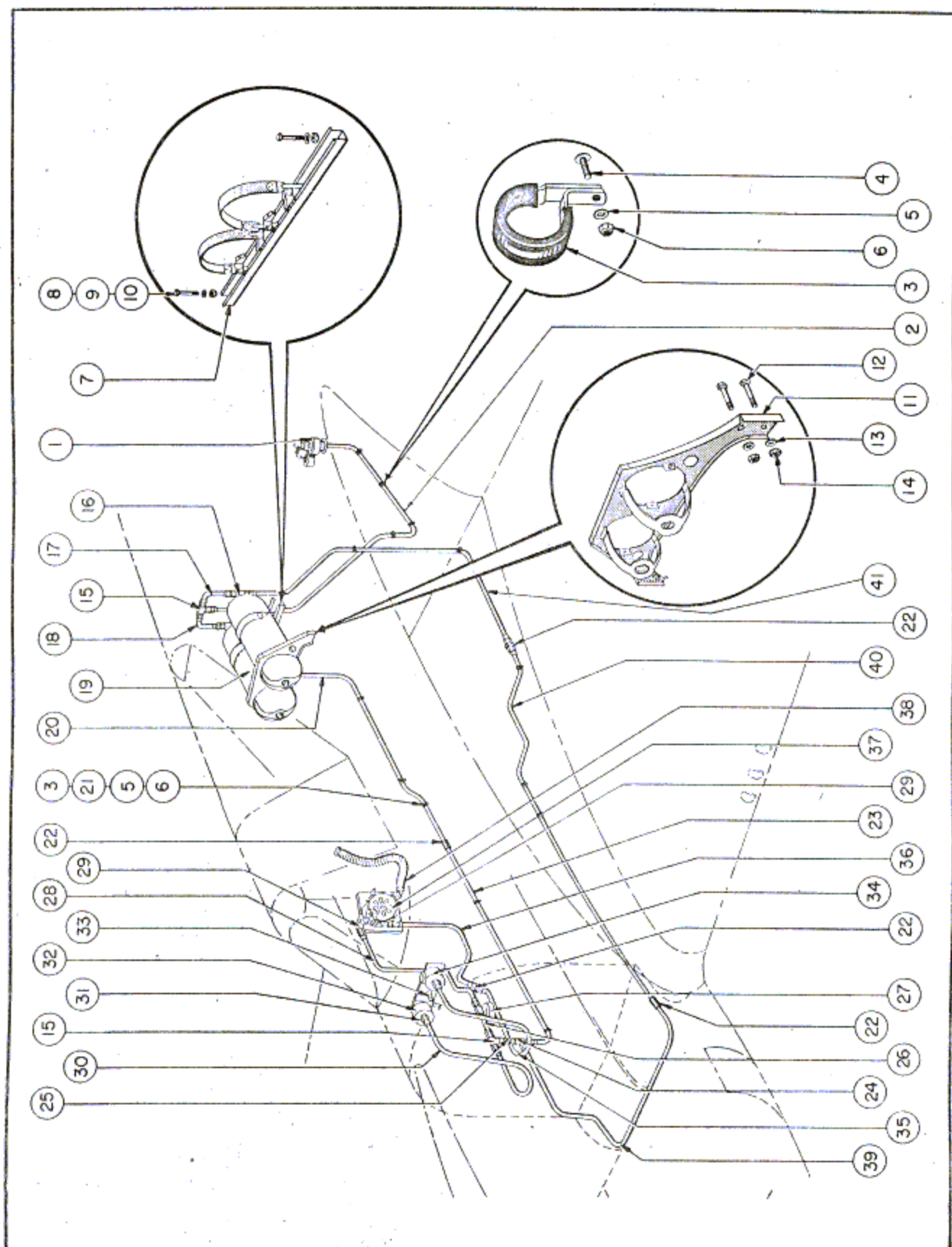


Figure 117—Oxygen System

RESTRICTED
T.O. No. 01-25C-4
SECTION II—GROUP ASSEMBLY PARTS LISTS

FIG. NO.	INDEX NO.	S T O C K I D	GROUP - FIXED EQUIPMENT						UNITS PER ASSY	PROPERTY CLASSIFICATION						
			MAJOR ASSEMBLY - OXYGEN SYSTEM (Cont.)							U.S. NAVY	U.S. ARMY	BRITISH				
			PART NUMBER	1	2	3	4	5					6	NOMENCLATURE		
117	3		755-5C-2-8						Clamp			(1065-DC-5)	4		04-A	128
	4		530-8-10						Screw				3		29	128
	21		530-8-8						Screw				1		29	128
	5		AN960-8						Washer				4		04-A	128
	6		1123-D-4						Nut				4		01-C	126HB
	22		AN815-5D						Union				1		04-A	128
	23		87-670-1002-23						Tube Assembly				1		01-C	126HB
	3		755-5C-2-8						Clamp			(1065-DC-5)	2		04-A	128
	4		530-8-10						Screw				2		29	128
	5		AN960-8						Washer				2		04-A	128
	6		1123-D-4						Nut				2		01-C	126HB
	24		43A9030						Valve Assembly - Style D				1		03-K	106D
	25		87-670-1002-19						Tube Assembly				1		01-C	126HB
	15		AN824-5D						Tee				1		04-A	128
	26		87-670-1002-21						Tube Assembly				1		01-C	126HB
	3		755-5C-2-8						Clamp			(1065-DC-5)	1		04-A	128
	4		530-8-10						Screw				1		29	128
	5		AN960-8						Washer				1		04-A	128
	6		1123-D-4						Nut				1		01-C	126HB
	27		Type G-1						Pressure Signal - Spec. 32376	GFE			1		03-K	106D
	28		87-670-1002-9						Tube Assembly				1		01-C	126HB
	29		AN823-5D						Elbow				1		04-A	128
	30		87-670-1002-11.						Tube Assembly				1		01-C	126HB
	31		AN816-5D						Nipple				1		04-A	128
	32		Type K-1						Pressure Gage - Spec. 27368	GFE			1		03-K	106D
	33		42B3593-2						Indicator Lamp	GFE			1		03-C	105C
	34		Type A-3						Flow Indicator - Spec. 40427	GFE			1		03-K	106D
	35		87-670-1002-13						Tube Assembly				1		01-C	126HB
	3		755-5C-2-8						Clamp			(1065-DC-5)	1		04-A	128
	4		530-8-10						Screw				1		29	128
	5		AN960-8						Washer				1		04-A	128
	6		1123-D-4						Nut				1		01-C	126HB
	22		AN815-5D						Union				1		04-A	128
	36		87-670-1002-7						Tube Assembly				1		01-C	126HB
	29		AN823-5D						Elbow				1		04-A	128
	37		Type A-12						Regulator - Spec. 40370	GFE			1		03-K	106D
	38		40387-A						Mask Regulator Tubing	GFE			1		03-K	106D
	39		87-670-1002-27						Tube Assembly				1		01-C	126HB
	22		AN815-5D						Union				1		04-A	128
	40		87-670-1002-5						Tube Assembly				1		01-C	126HB
	3		755-5C-2-8						Clamp			(1065-DC-5)	3		04-A	128
	4		530-8-10						Screw				3		29	128
	5		AN960-8						Washer				3		04-A	128
	6		1123-D-4						Nut				3		01-C	126HB
	22		AN815-5D						Union				1		04-A	128
	41		87-670-1002-3						Tube Assembly				1		01-C	126HB
	3		755-5C-2-8						Clamp			(1065-DC-5)	2		04-A	128
	4		530-8-10						Screw				2		29	128

RESTRICTED

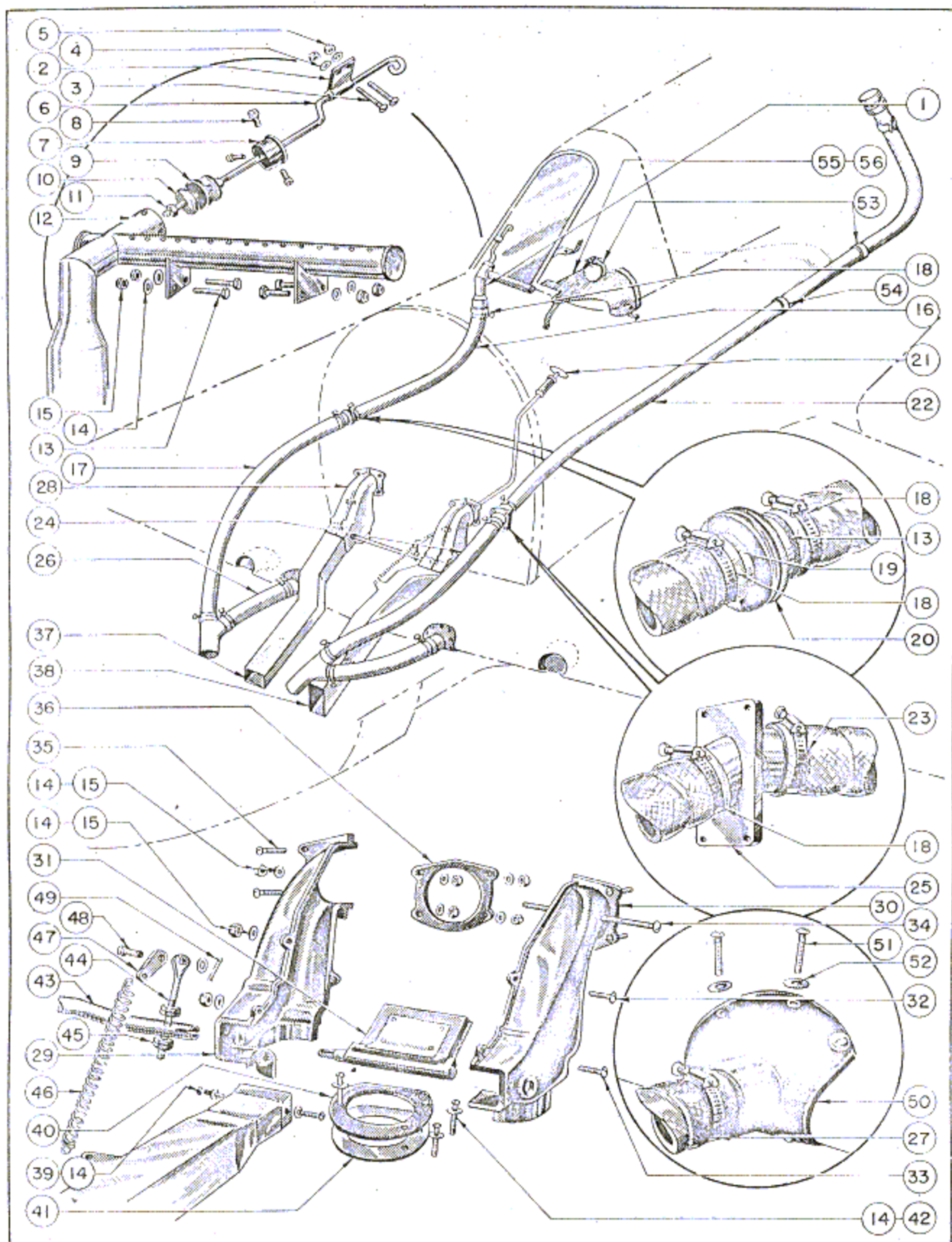


Figure 118—Heat and Vent System

RESTRICTED
T. O. No. 01-25C-4
SECTION II—GROUP ASSEMBLY PARTS LISTS

FIG. NO.	INDEX NO.	STOCKED	GROUP - FIXED EQUIPMENT						UNITS PER ASSY	PROPERTY CLASSIFICATION			
			MAJOR ASSEMBLY - OXYGEN SYSTEM (Cont.)							U.S. NAVY	U.S. ARMY	BRITISH	
			PART NUMBER	1	2	3	4	5					6
117	5		AN960-8			Washer							
	6		1123-D-4			Nut			2		04-A		
									2		01-C		
FIG. NO.	INDEX NO.	STOCKED	GROUP - FIXED EQUIPMENT						UNITS PER ASSY	PROPERTY CLASSIFICATION			
			MAJOR ASSEMBLY - HEAT AND VENT SYSTEM							U.S. NAVY	U.S. ARMY	BRITISH	
			PART NUMBER	1	2	3	4	5					6
118			87-81-701			Heat and Vent System		A - B	1		01-C		126HB
			87-580-1000			Heat and Vent System		C - I	1		01-C		126HB
			87-580-1100			Heat and Vent System		J - up	1		01-C		126HB
	1		87-81-902-1			Windshield Defroster Assembly		A - B	1		01-C		126HB
	2		87-81-936			Clip			1		01-C		126HB
	3		AN515-8-14			Screw			2		04-A		128
	4		AN960-8			Washer			2		04-A		128
	5		365-832			Nut			2		04-A		128
	6		87-81-934			Rod			1		01-C		126HB
	7		87-81-935			Plug			1		01-C		126HB
	8		AN500-6-3			Screw			3		29		128
	9		87-81-933			Valve			1		01-C		126HB
	10		1075-D6-.031-.187-.812			Washer			2		01-C		126HB
	11		AN315-3R			Nut			1		04-A		128
	12		87-81-932			Weld Assembly			4		01-C		126HB
	13		AN3-5			Bolt			4		04-A		128
	14		AN960-10			Washer			4		04-A		128
	15		365-1032			Nut			4		04-A		128
	16		87-81-937-1 1/2-35			Tube		A - B	1		01-C		126HB
	17		87-81-550-1 1/2-35			Tube		A - B	1		01-C		126HB
	18		QS-100M-24			Clamp (Aero Seal Co.)		A - B	1		04-A		128
	19		87-81-501-10			Tube		A - B	1		01-C		126HB
	20		AN931-24-28			Grommet		A - B	1		04-B		128
	21		87-81-501-5			Control Assembly		A - I	1		01-C		126HB
			87-580-1100-5			Control Assembly		J - up	1		01-C		126HB
	22		81-81-919-2-80			Tube			1		01-C		126HB
	23		QS-100M-28			Clamp (Aero Seal Co.)			1		04-A		126HB
	18		QS-100M-24			Clamp (Aero Seal Co.)			1		04-A		126HB
	24		87-81-530-1 1/2-33			Tube			1		01-C		126HB
	18		QS-100M-24			Clamp (Aero Seal Co.)			2		04-A		126HB
	25		87-81-712			Adapter Assembly			1		01-C		126HB
	26		87-81-530-2 1/2-14			Tube			2		01-C		126HB
	27		QS-100M-40			Clamp (Aero Seal Co.)			4		04-A		126HB
	38		87-81-016-50L			Chamber Assembly			1		01-C		126HB
		87-81-016-50R			Chamber Assembly			1		01-C		126HB	
29		87-81-016-2			Chamber - Half			1		01-C		126HB	
30		87-81-016-1			Chamber - Half			1		01-C		126HB	
31		87-81-029L			Vane Assembly			1		01-C		126HB	
		87-81-029R			Vane Assembly			1		01-C		126HB	
32		AN526-1032-10			Screw			3		29		128	
33		AN526-1032-12			Screw			1		29		128	
34		AN526-1032-54			Screw			1		29		128	

RESTRICTED

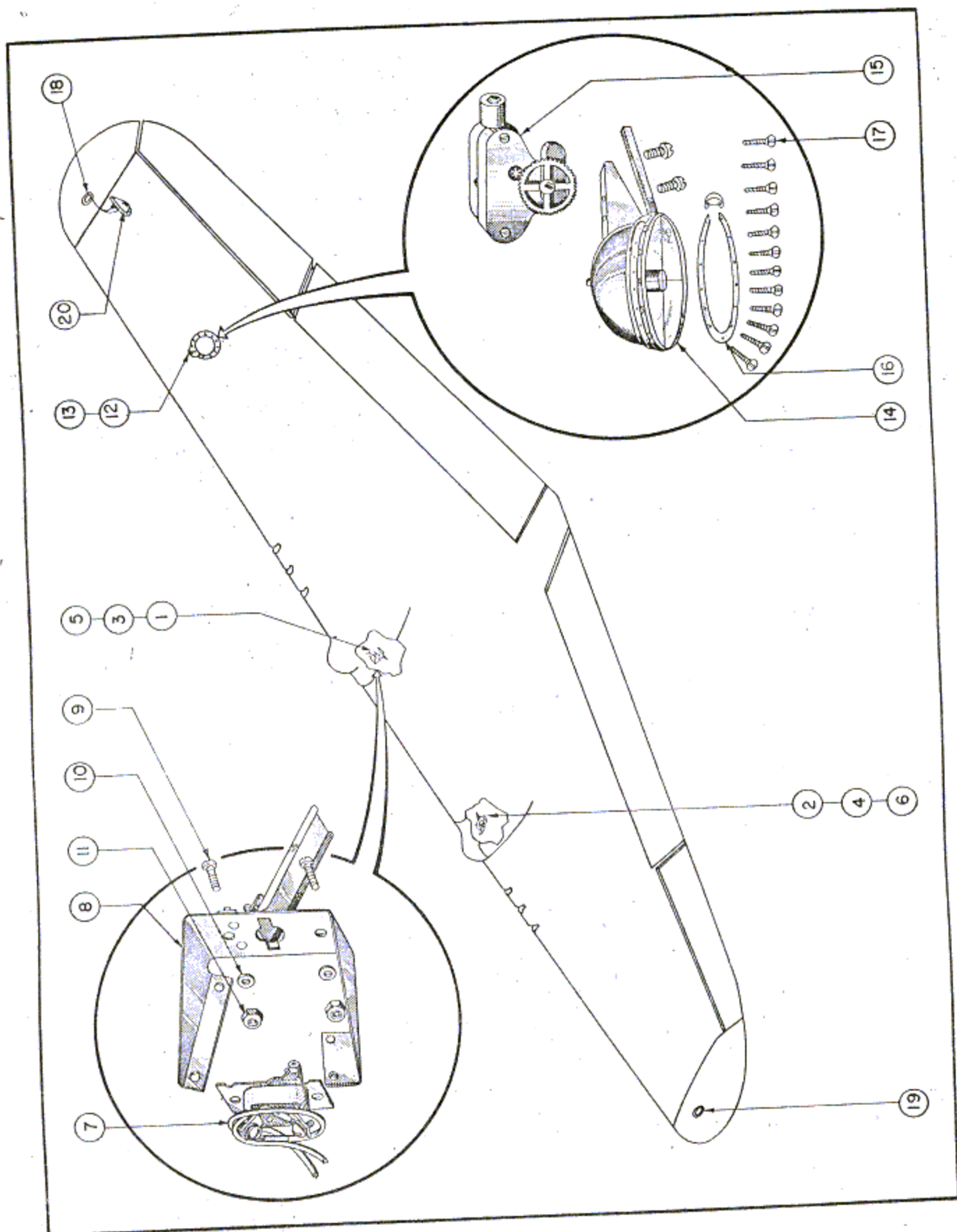


Figure 119—Wing Electrical Installation

RESTRICTED
T. O. No. 01-25C-4

SECTION II—GROUP ASSEMBLY PARTS LISTS

FIG. NO.	INDEX NO.	STOCKED	GROUP - FIXED EQUIPMENT						UNITS PER ASSY	PROPERTY CLASSIFICATION				
			MAJOR ASSEMBLY - HEAT AND VENT SYSTEM (Cont.)							U.S. NAVY	U.S. ARMY	BRITISH		
			PART NUMBER	1	2	3	4	5					6	NOMENCLATURE
118	14		AN960-10							5		04-A	128	
	15		365-1032						Washer Nut	5		04-A	128	
	35		AN526-1032-7						Screw	8		29	128	
		14		AN960-10						Washer	8		04-A	128
		15		365-1032						Nut	8		04-A	128
		36		87-81-024						Seal	2		01-C	126HB
		37		87-81-521						Duct	1		01-C	126HB
		38		87-81-520						Duct	1		01-C	126HB
		39		AN526-1032-9						Screw	4		29	128
		14		AN960-10						Washer	4		04-A	128
		40		87-81-023						Seal	2		01-C	126HB
		41		87-81-022						Plate	2		01-C	126HB
		42		AN520-10-12						Screw	6		29	128
		14		AN960-10						Washer	6		04-A	128
				87-81-519						Shaft Assembly	1		01-C	126HB
				87-580-1011						Shaft Assembly	1		01-C	126HB
		43		87-81-519-1						Shaft	1		01-C	126HB
		43		87-580-1011-1						Shaft	1		01-C	126HB
		44		87-81-026						Lever	1		01-C	126HB
		45		AN345-10						Nut - Check	4		29	128
		46		87-66-040						Spring	1		01-C	126HB
		47		1045-D-1						Tab	1		01-C	126HB
		48		PC2891						Pin (Aero Supply Co.)	1		01-A	128
		49		AN380-C2-2						Cotter Pin	1		29	128
		50		87-81-522L						Adapter	1		01-C	126HB
				87-81-522R						Adapter	1		01-C	126HB
		51		AN526-832-10						Screw	10		29	128
		52		AN960-C10						Washer	10		04-A	128
		53		87-81-715						Clip	3		01-C	126HB
		54		1042-DS-38						Clamp	1		01-C	126HB
		55		87-621-1028						Windshield Anti-Glare Installation			01-C	126HB
		56		87-621-1028-15						Shield Installation	1		01-C	126HB

FIG. NO.	INDEX NO.	STOCKED	GROUP - FIXED EQUIPMENT						UNITS PER ASSY	PROPERTY CLASSIFICATION						
			MAJOR ASSEMBLY - WING ELECTRICAL INSTALLATION							U.S. NAVY	U.S. ARMY	BRITISH				
			PART NUMBER	1	2	3	4	5					6	NOMENCLATURE		
119			87-66-502-33										01-C	126HB		
			87-66-300-33											01-C	126HB	
			87-558-1000												01-C	126HB
			87-558-1400												01-C	126HB
			87-66-502-100												01-C	126HB
			87-66-502-101												01-C	126HB
			87-66-300-101												01-C	126HB
			87-66-300-102												01-C	126HB
			87-558-1000-1												01-C	126HB
			87-558-1000-2												01-C	126HB
			87-558-1400-1												01-C	126HB
			87-558-1400-2												01-C	126HB

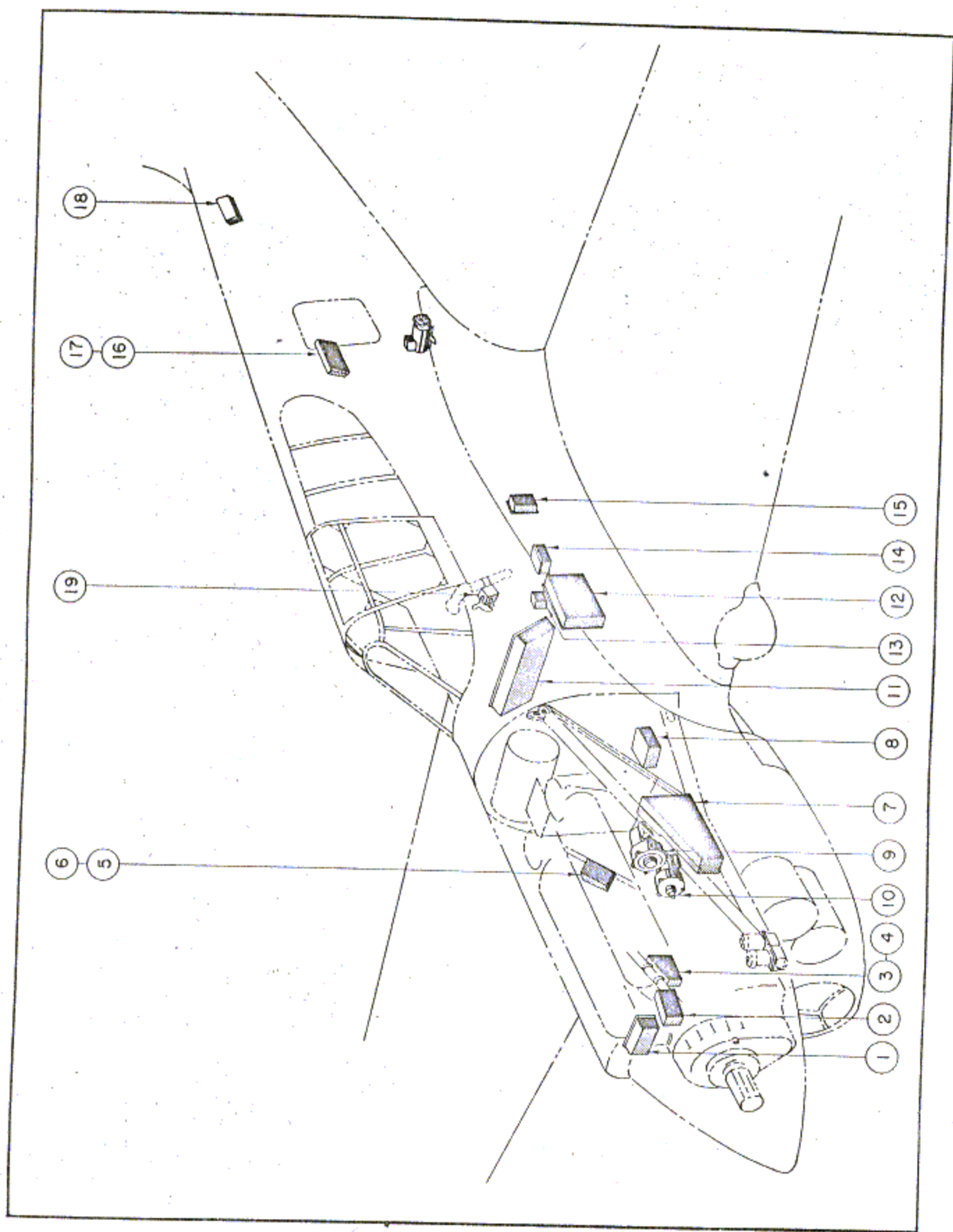


Figure 120—Electrical Installation

RESTRICTED

T. O. No. 01-25C-4

SECTION II—GROUP ASSEMBLY PARTS LISTS

FIG. NO.	INDEX NO.	STOCKED	GROUP - FIXED EQUIPMENT						UNITS PER ASSY	PROPERTY CLASSIFICATION		
			MAJOR ASSEMBLY - WING ELECTRICAL (Cont.)							U.S. NAVY	U.S. ARMY	BRITISH
			PART NUMBER	1	2	3	4	5				
119	1	87-66-559-1						Landing Gear Warning Switch L.H. A	1		01-C	126HB
	2	87-66-559-2						Landing Gear Warning Switch R.H. A	1		01-C	126HB
	3	87-66-306-1						Landing Gear Warning Switch - L.H. B	1		01-C	126HB
	4	87-66-306-2						Landing Gear Warning Switch - R.H. B	1		01-C	126HB
	5	87-558-1015L						Landing Gear Warning Switch - L.H. C - up	1		01-C	126HB
	6	87-558-1015R						Landing Gear Warning Switch R.H. C - up	1		01-C	126HB
	7	39A3756						Switch - Type B-15 C - up	1		03-C	105C
	8	87-558-1014L						Bracket Assembly - L.H. C - up	1		01-C	126HB
	9	87-558-1014R						Bracket Assembly - R.H. C - up	1		01-C	126HB
	10	AN515-8-7						Screw C - up	2		29	128
	11	AN960-8						Washer C - up	2		04-A	128
	12	365-832						Nut C - up	2		04-A	125
	13	B-1114-24						Landing Light (Grimes Mfg. Co.) L.H. A - B	1		03-C	105C
	14	D-1444-24						Landing Light (Grimes Mfg. Co.) L.H. K - up	1		03-C	105C
	15	D-1449						Light (Grimes Mfg. Co.)	1		03-C	105C
	16	B-1188						Motor (Grimes Mfg. Co.)	1		03-C	105C
	17	87-030-1011						Cover Plate C - J	1		01-C	126HB
	18	1100-DS-5						Screw C - J	12		01-C	126HB
	19	37B4962-1						Lamp - Upper L.H. GFE A - up	1		08-B	105C
	20	37B4962-3						Lamp - Lower L.H. GFE A - up	1		08-B	105C
	37B4962-2						Lamp - Upper R.H. GFE A - up	1		08-B	105C	
	37B4962-4						Lamp - Lower R.H. GFE A - up	1		08-B	105C	
	AN515-6-6						Screw A - up	12		29	128	
FIG. NO.	INDEX NO.	STOCKED	GROUP - FIXED EQUIPMENT						UNITS PER ASSY	PROPERTY CLASSIFICATION		
			MAJOR ASSEMBLY - WING ELECTRICAL INSTALLATION							U.S. NAVY	U.S. ARMY	BRITISH
			PART NUMBER	1	2	3	4	5				
120		87-66-880						Installation Fuselage Electrical AF43-5403 - AF43-5462			01-C	126HB
		87-66-880-50						Installation Fuselage Electrical AF43-5463 - AF43-5722			01-C	126HB
		87-66-880-100						Installation Fuselage Electrical AF43-5723 - AF43-6002			01-C	126HB
		87-66-883						Installation Power Plant Electrical AF43-5403 - AF43-5462			01-C	126HB
		87-66-883-20						Installation Power Plant Electrical AF43-5463 - AF43-6002			01-C	126HR
	1	87-66-589						Propeller Relay Box AF43-5403 - AF43-5462			01-C	126HR
	2	87-66-589-20						Propeller Relay Box AF43-5463 - AF43-6002			01-C	126HB
	3	87-66-793						Starter Junction Box	1		01-C	126HB
	4	Type B-4						Relay - Spec. #32324 G.F.E.	1		03-C	105C
	5	87-66-646-10						Engine Compartment Box Assembly	1		01-C	126HB
	6	Type C-1						Bobster Coil - Spec. 94-32182 GFE	1		03-C	137F
	7	87-66-792						Battery Junction Box	1		01-C	126HB
8	87-66-874						Battery Cart Plug Box Assembly	1		01-C	126HB	
9	Type M-2						Generator - Spec. 32285 G.F.E.	1		03-C	105U	
10	Type G-6						Starter - Spec. 32304 G.F.E.	1		03-C	137F	
11	87-66-730						Main Switch Box	1		01-C	126HB	
12	87-66-873						Main Terminal Box	1		01-C	126HB	

RESTRICTED

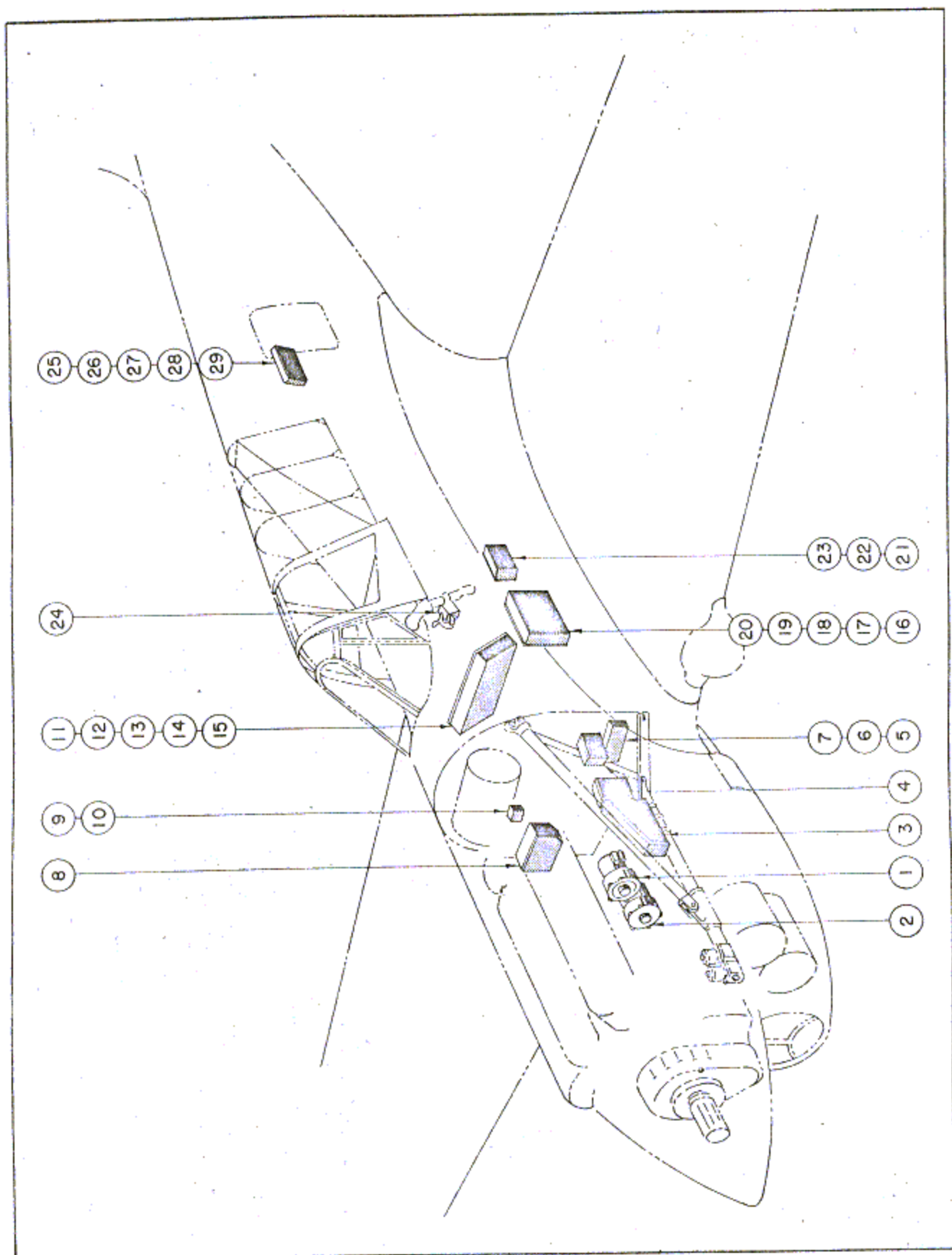


Figure 121—Electrical Installation

RESTRICTED
T. O. No. 01-25C-4

SECTION II—GROUP ASSEMBLY PARTS LISTS

FIG. NO.	INDEX NO.	STOCKED	GROUP - FIXED EQUIPMENT						UNITS PER ASSY	PROPERTY CLASSIFICATION			
			MAJOR ASSEMBLY - ELECTRICAL INSTALLATION (Cont.)							U.S. NAVY	U.S. ARMY	BRITISH	
			PART NUMBER	1	2	3	4	5					6
120	13		87-66-578						1		01-C	126HB	
	14		87-66-981						1		01-C	126HB	
	15		87-66-787						1		01-C	126HB	
	16		87-66-799										
		17		87-66-799-10						1		01-C	126HB
		18		87-66-307						1		01-C	126HB
		19		87-66-082-6						1		01-C	126HB
121			87-554-1000										
			87-554-1100								01-C	126HB	
			87-554-1400-2								01-C	126HB	
			87-554-1400-4								01-C	126HB	
		1		Type M-2						1		01-C	126HB
		2		Type G-6						1		03-C	105U
		3		87-554-1420						1		03-C	137F
		4		87-66-874						1		01-C	126HB
				87-552-1000								01-C	126HB
				87-552-1000-10								01-C	126HB
				87-552-1000-50								01-C	126HB
				87-552-1100								01-C	126HB
				87-552-1100-50								01-C	126HB
				87-552-1200								01-C	126HB
				87-552-1400-2								01-C	126HB
		5		87-552-1011						1		01-C	126HB
		6		87-552-1011-20						1		01-C	126HB
		7		87-552-1011-30						1		01-C	126HB
		8		87-552-1430						1		01-C	126HB
		9		87-552-1070						1		01-C	126HB
		10		87-552-1070-10						1		01-C	126HB
	11		87-552-1010						1		01-C	126HB	
	12		87-552-1010-30						1		01-C	126HB	
	13		87-552-1010-50						1		01-C	126HB	
	14		87-552-1010-40						1		01-C	126HB	
	15		87-552-1010-60						1		01-C	126HB	
	16		87-552-1030						1		01-C	126HB	
	17		87-552-1030-10						1		01-C	126HB	
	18		87-552-1030-20						1		01-C	126HB	
	19		87-552-1030-30						1		01-C	126HB	
	20		87-552-1030-40						1		01-C	126HB	
	21		87-550-1020-10						1		01-C	126HB	

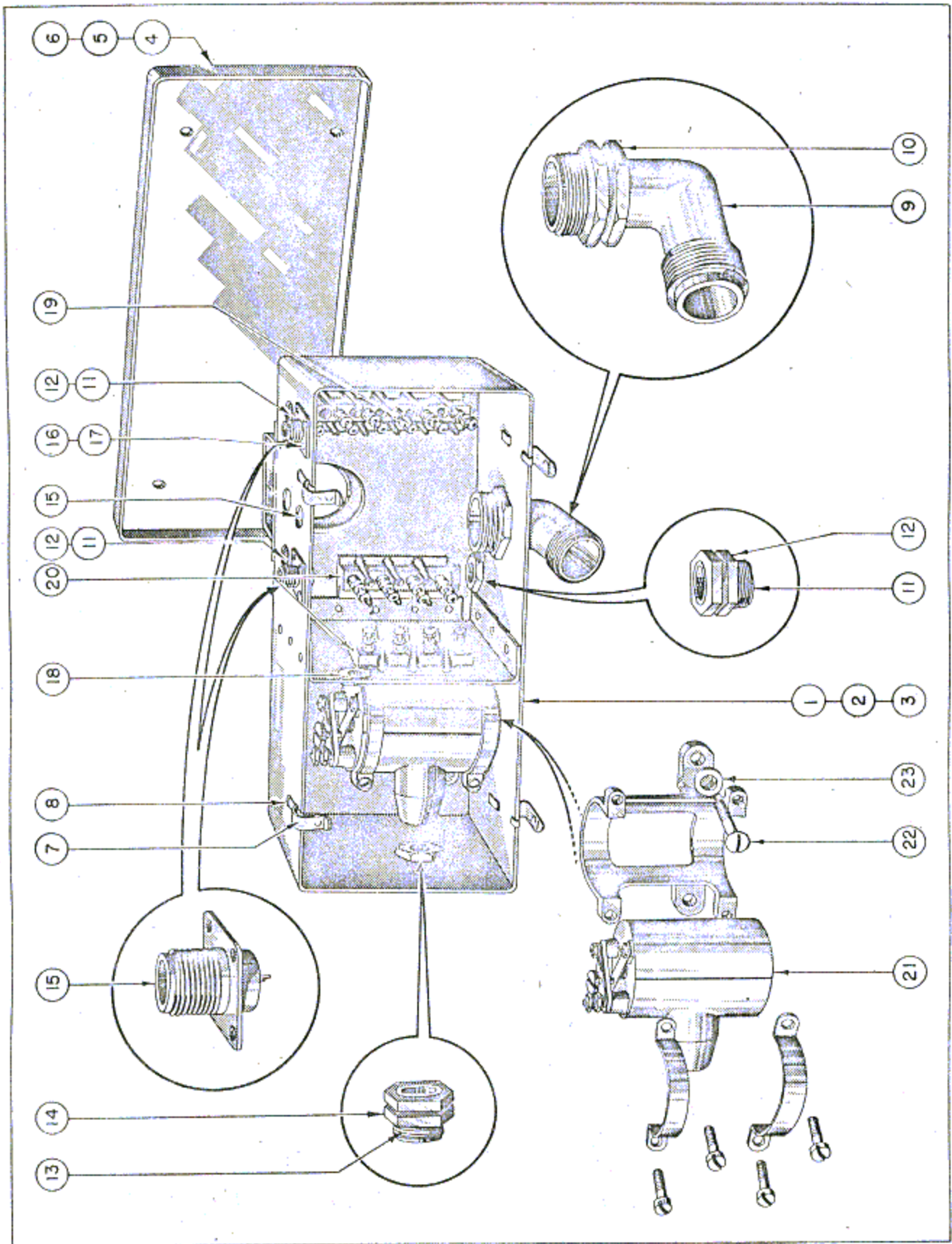


Figure 122—Firewall Terminal Box

RESTRICTED

T. O. No. 01-25C-4

SECTION II—GROUP ASSEMBLY PARTS LISTS

FIG. NO.	INDEX NO.	STOCKED	GROUP - FIXED EQUIPMENT						UNITS PER ASSY	PROPERTY CLASSIFICATION			
			MAJOR ASSEMBLY - ELECTRICAL INSTALLATION (Cont.)							U.S. NAVY	U.S. ARMY	BRITISH	
			PART NUMBER	1	2	3	4	5					6
121	22		87-550-1020-30							1		01-C	126HB
	23		87-550-1020-40							1		01-C	126HB
	24		87-66-082-6							1		01-C	126HB
	25		87-552-1020							1		01-C	126HB
	26		87-552-1020-10							1		01-C	126HB
	27		87-552-1020-20							1		01-C	126HB
	28		87-552-1020-30							1		01-C	126HB
	29		87-552-1410							1		01-C	126HB
FIG. NO.	INDEX NO.	STOCKED	GROUP - FIXED EQUIPMENT						UNITS PER ASSY	PROPERTY CLASSIFICATION			
			MAJOR ASSEMBLY - FIREWALL TERMINAL BOX							U.S. NAVY	U.S. ARMY	BRITISH	
			PART NUMBER	1	2	3	4	5					6
122			87-552-1000									01-C	126HB
			87-552-1000-10									01-C	126HB
			87-552-1000-50									01-C	126HB
			87-552-1100									01-C	126HB
			87-552-1100-50									01-C	126HB
			87-552-1200									01-C	126HB
			87-552-1011									01-C	126HB
			87-552-1011-20									01-C	126HB
			87-552-1011-30									01-C	126HB
	1		87-552-1011-1							1		01-C	126HB
	2		87-552-1011-21							1		01-C	126HB
	3		87-552-1011-31							1		01-C	126HB
	4		87-552-1012							1		01-C	126HB
	5		87-552-1012-5							1		01-C	126HB
	6		87-552-1012-10							1		01-C	126HB
	7		1129-D-1							4		01-C	126HB
	8		1129-D-2							4		01-C	126HB
	9		AN3062-12							1		04-A	105X
	10		AN3066-12							1		04-A	105X
	11		AN3064-4							2		04-A	105X
	12		AN3066-4							2		04-A	105X
	11		AN3064-4							1		04-A	105X
	12		AN3066-4							1		04-A	105X
	13		AN3064-6							1		04-A	105X
	14		AN3066-6							1		04-A	105X
	15		AN3102-12S-3S							1		03-C	105X
	16		AN515-4-5							4		29	128
	17		365-440							4		04-A	128
	15		AN3102-12S-3S							1		03-C	105X
	16		AN515-4-5							8		29	128
	17		365-440							8		04-A	128
	18		AN931-3-5							1		04-B	128
	19		NAS-18-B4							1		08-B	105C
	20		NAS-18-B4							2		08-B	105C
	21		Type C-1							1		03-C	137F
	22		530-10-12							2		29	128
	23		AN960-D10							2		04-A	128

RESTRICTED

259

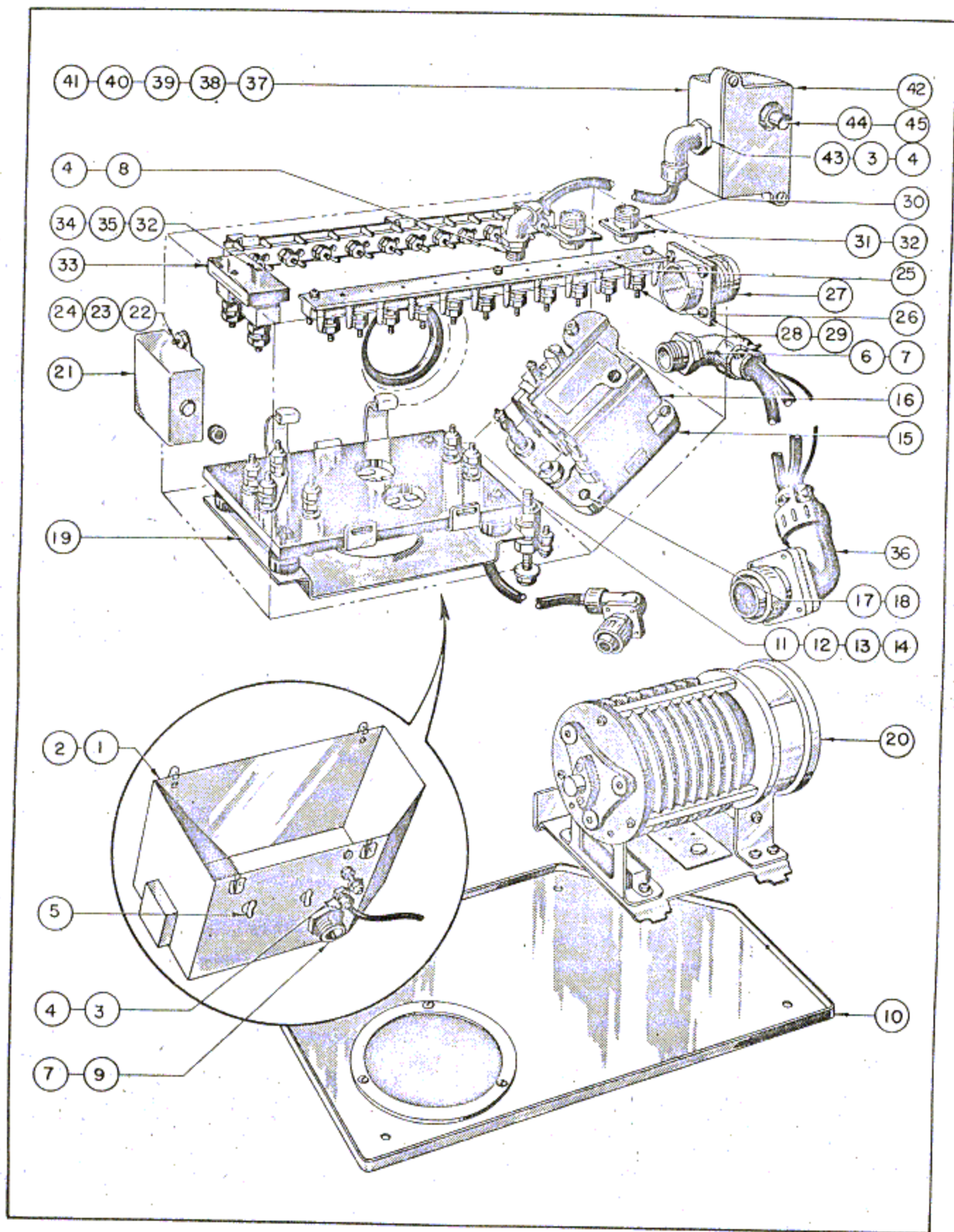


Figure 123—Firewall Junction Box

RESTRICTED
T. O. No. 01-25C-4
SECTION II—GROUP ASSEMBLY PARTS LISTS

FIG. NO.	INDEX NO.	SYMBOL	GROUP - FIXED EQUIPMENT						UNITS PER ASSY	PROPERTY CLASSIFICATION		
			MAJOR ASSEMBLY - FIREWALL JUNCTION BOX							U.S. NAVY	U.S. ARMY	BRITISH
			PART NUMBER	1	2	3	4	5				
123			87-552-1000	Electrical	Installation	Fuselage				01-C	126HB	
			87-552-1000-10	Electrical	Installation	Fuselage	A - AF42-104508			01-C	126HB	
			87-552-1000-50	Electrical	Installation	Fuselage	AF42-104509 - AF42-104678			01-C	126HB	
			87-552-1100	Electrical	Installation	Fuselage	AF42-104679 - C			01-C	126HB	
			87-552-1100-50	Electrical	Installation	Fuselage	D - F			01-C	126HB	
			87-552-1200	Electrical	Installation	Fuselage	H - I			01-C	126HB	
			87-552-1400-2	Electrical	Installation	Fuselage	J			01-C	126HB	
			87-552-1430		Installation	Firewall Junction Box	K - up			01-C	126HB	
	1		87-552-1431		Firewall Junction Box	Assembly	K - up	1		01-C	126HB	
	2		87-552-1431-1		Rivet	Assembly		1		01-C	126HB	
	3		AN3064-4		Connector			1		01-C	105X	
	4		AN3066-4		Nut			1		01-C	105X	
	5		AN4-30		Fastener (Dzus)			2		04-A	27H	
	6		AN3062-12		Coupling			1		04-A	105X	
	7		AN3066-12		Nut			1		04-A	105X	
	8		AN3062-4		Coupling			1		04-A	105X	
	4		AN3066-4		Nut			1		04-A	105X	
	9		AN3064-12		Connector			1		04-A	105X	
	7		AN3066-12		Nut			1		04-A	105X	
	10		87-552-1432		Cover	Assembly		1		01-C	126HB	
	11		87-66-606-2		Stud			1		01-C	126HB	
	12		AN960-416		Washer			4		04-A	128	
	13		325-B4		Nut			2		29	128	
	14		365-B428		Nut			2		04-A	128	
	15		87-66-995		Insulator			1		01-C	126HB	
	16		94-32278		Relay Switch	G.F.E.		1		03-C	105C	
	17		530-10-12		Screw			3		29	128	
	18		AN936-B10		Washer			3		04-A	128	
	19		87-552-1434		Support	Assembly		1		01-C	126HB	
	20		94-32276		Generator Voltage	Regulator	GFF	1		03-C	105U	
	21		B-210002-6		Capacitor	(R.P. Mallory)		1		08-B	105C	
	22		AN515-8-8		Screw			2		29	128	
	23		AN936-8		washer			2		29	128	
	24		365-832		Nut			2		04-A	128	
	25		NAS-18-A-11		Block			2		08-B	105C	
	26		NAS-20-10-12		Screw			22		08-B	105C	
	27		AN3102-28-10P		Receptacle			1		03-C	105X	
	28		AN515-6-6		Screw			4		29	128	
	29		365-632		Nut			4		04-A	128	
	30		AN3102-12S-3S		Receptacle			2		03-C	105X	
	31		AN515-4-5		Screw			8		29	128	
	32		365-440		Nut			8		04-A	128	
	33		94-32204		Shunt	Ammeter	GFF	1		05-D	105U	
	34		AN515-4-10		Screw			2		29	128	
	35		AN960-4		Washer			2		04-A	128	
	32		365-440		Nut			2		04-A	128	
	36		AN3057-12		Adapter			2		03-C	105X	
			87-552-1070		Installation	Landing Gear				01-C	126HB	
					Warning	Switch	A - J					
			87-552-1070-10		Installation	Landing Gear				01-C	126HB	
					Warning	Switch	K - up					
	37		87-552-1069		Switch	Assembly	A - J	1		01-C	126HB	
	38		87-552-1069-10		Switch	Assembly	K - up	1		01-C	126HB	
	39		87-552-1068		Box	Assembly	A - J	1		01-C	126HB	
	40		87-552-1068-10		Box	Assembly	K - up	1		01-C	126HB	

RESTRICTED

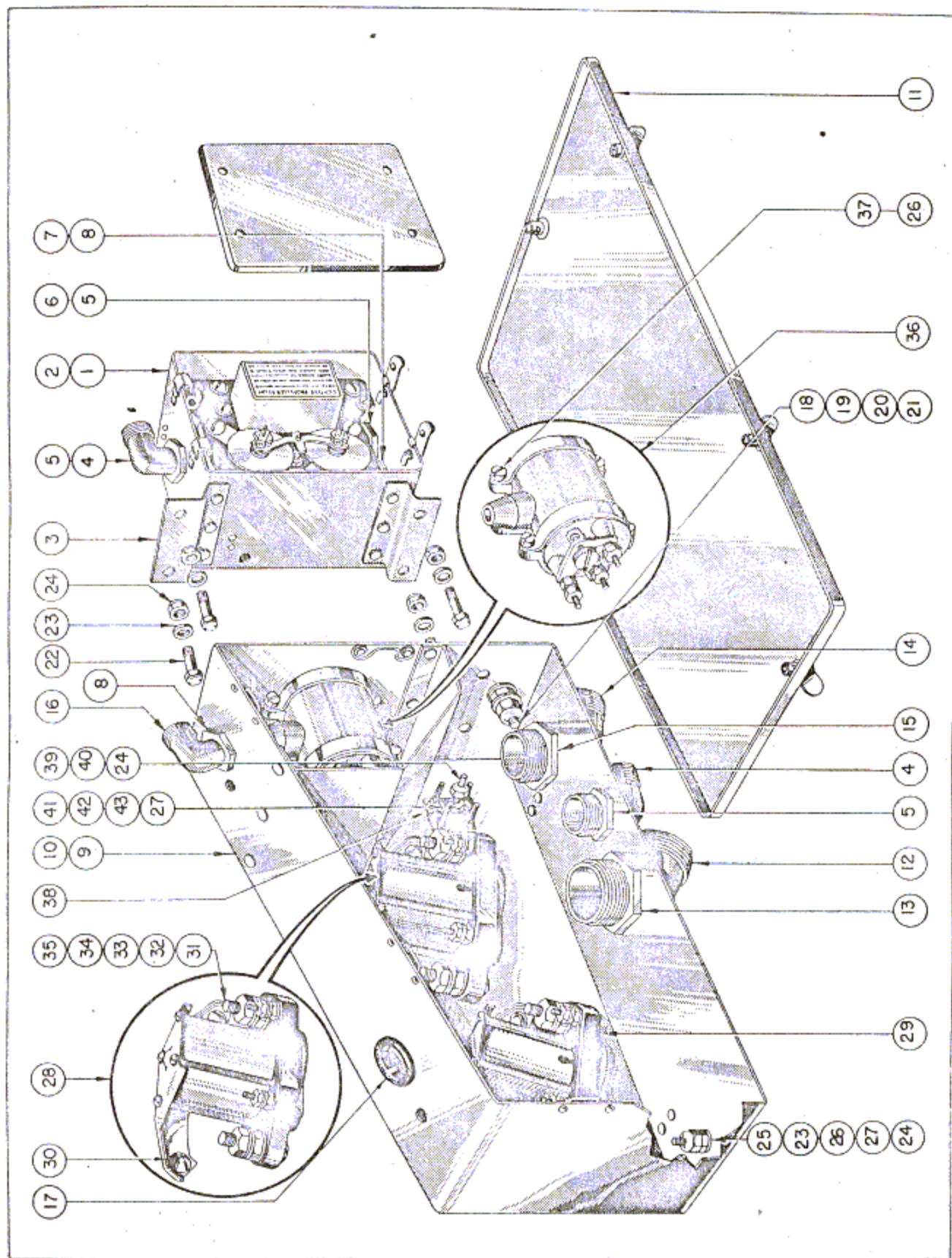


Figure 124—Battery Junction and Propeller Relay Boxes

RESTRICTED

T. O. No. 01-25C-4

SECTION II—GROUP ASSEMBLY PARTS LISTS

FIG. NO.	INDEX NO.	STOCK #	GROUP - FIXED EQUIPMENT						UNITS PER ASSY	PROPERTY CLASSIFICATION			
			MAJOR ASSEMBLY - FIREWALL JUNCTION BOX (Cont.)							U.S. NAVY	U.S. ARMY	BRITISH	
			PART NUMBER	1	2	3	4	5					6
123	41		87-552-1068-1						Box	1		01-C	126HB
	42		87-552-1067						Cover	1		01-C	126HB
	43		NAF1149-4						Coupling	1		04-A	105X
	3		AN3064-4						Coupling	1		04-A	105X
	4		AN3066-4						Nut	1		04-A	105X
	44		YZ-R31						Switch (Micro Switch Corp.)	1		03-C	105C
	45		SM-21						Actuator (Micro Switch Corp.)	1		03-C	105C
124			87-554-1400-2						Electrical Installation Power Plant	1		01-C	126HB
			87-554-1400-4						Electrical Installation Power Plant	1		01-C	126HB
			87-554-1420						Installation Battery - Junction & Propellor Relay Boxes	1		01-C	126HB
	1		87-554-1415						Propellor Relay Box Assembly GPF	1		01-C	126HB
	2		87-554-1415-1						Box Assembly	1		01-C	126HB
	3		87-554-1415-3						Support	2		01-C	126HB
	4		AN3062-10						Coupling	1		04-A	105X
	5		AN3066-10						Nut	1		04-A	105X
	6		AN3060-10						Connector	1		04-A	105X
	5		AN3066-10						Nut	1		04-A	105X
	7		AN3060-6						Connector	1		04-A	105X
	8		AN3066-6						Nut	1		04-A	105X
	9		87-554-1421						Battery Junction Box	1		01-C	126HB
	10		87-554-1421-1						Rivet Assembly	1		01-C	126HB
	11		87-554-1422						Cover Assembly	1		01-C	126HB
	12		AN3060-16						Coupling	1		04-A	105X
	13		AN3066-16						Nut	1		04-A	105X
	14		AN3062-12						Coupling	1		04-A	105X
	15		AN3066-12						Nut	1		04-A	105X
	4		AN3062-10						Coupling	1		04-A	105X
	5		AN3066-10						Nut	1		04-A	105X
	16		AN3062-6						Coupling	1		04-A	105X
	8		AN3066-6						Nut	1		04-A	105X
	17		AN931-10-14						Grommet	1		04-B	128
	18		87-66-606-2						Stud	1		01-C	126HB
	19		AN960-416						Washer	2		04-A	128
	20		365-B4						Nut	2		04-A	128
	21		365-B428						Nut	2		04-A	128
	22		AN3-5A						Bolt	4		04-A	128
	23		AN960-10						Washer	2		04-A	128
	24		365-1032						Nut	4		04-A	128
	25		AN520-10-16						Screw	1		29	128
23		AN960-10						Washer	1		04-A	128	
26		AN936-B10						Washer	1		04-A	128	
27		AN345-10						Nut	1		29	128	
24		365-1032						Nut	1		04-A	128	
28		Type B-4						Relay Spec. 32324 G.F.F.	1		03-C	105C	
29		Type B-8						Relay Spec. 32424 G.F.E.	1		03-C	105C	
30		AN526-1032-8						Screw	4		29	128	
31		87-66-544-6						Bus	2		01-C	126HB	
32		AN520-B10-12						Screw	2		29	128	

RESTRICTED

263

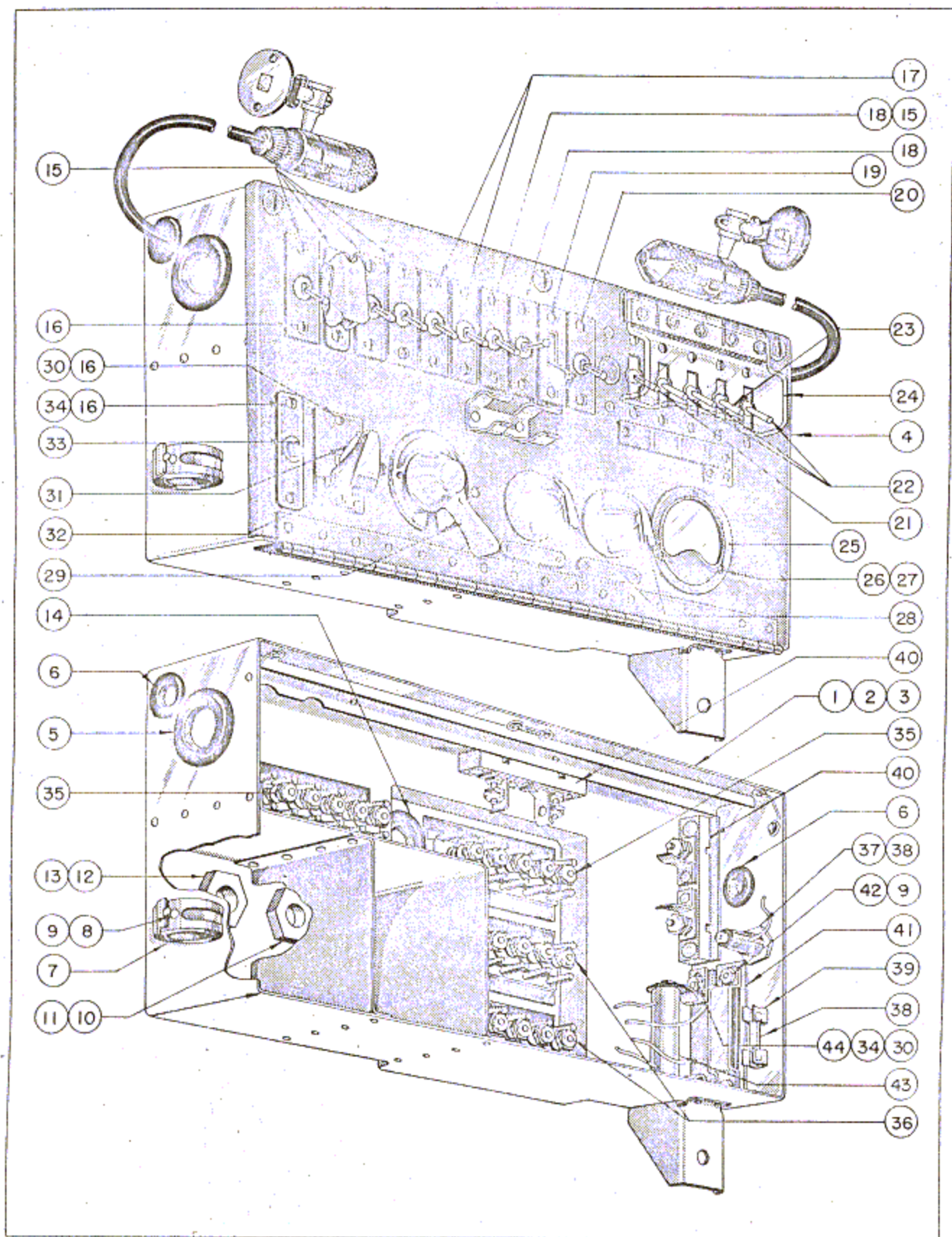


Figure 125—Main Switch Box

RESTRICTED
T. O. No. 01-25C-4
SECTION II—GROUP ASSEMBLY PARTS LISTS

FIG. NO.	INDEX NO.	STOCK #	GROUP - FIXED EQUIPMENT						UNITS PER ASSY	PROPERTY CLASSIFICATION									
			MAJOR ASSEMBLY - BATTERY JUNCTION & PROPELLOR RELAY BOXES (Cont)							U.S. NAVY	U.S. ARMY	BRITISH							
			PART NUMBER	1	2	3	4	5					6	NOMENCLATURE					
124	33		AN345-B10																
	34		AN936-B10B									2		29				128	
	35		365-B1032									2		04-A				128	
	36		Type C-1									2		04-A				128	
	37		AN520-10-20									1		03-C				137F	
	26		AN960-B10									2		29				128	
	38		NAS-18-A1									2		04-A				128	
	39		NAS-20-10-12									1		08-B				105C	
	40		NAS-22-2-1.188									1		08-B				105C	
			--219																
	24		365-1032									1		08-B				105C	
	41		AN515-4-7									1		04-A				128	
	42		AN960-4									2		29				128	
	43		365-440									2		04-A				128	
	27		AN345-10									2		04-A				128	
												1		29				128	

FIG. NO.	INDEX NO.	STOCK #	GROUP - FIXED EQUIPMENT						UNITS PER ASSY	PROPERTY CLASSIFICATION										
			MAJOR ASSEMBLY - MAIN SWITCH BOX							U.S. NAVY	U.S. ARMY	BRITISH								
			PART NUMBER	1	2	3	4	5					6	NOMENCLATURE						
125			87-552-1010																	
			87-552-1010-30																	
			87-552-1010-50																	
			87-552-1010-40																	
			87-552-1010-60																	
	1		87-552-1051																	
	2		87-552-1051-20																	
	3		87-552-1051-3																	
	4		87-552-1052																	
	5		AN931-12-23																	
	6		AN931-8-13																	
	7		1065-D-12																	
	8		AN515-8-6																	
	9		365-832																	
	10		AN3064-8																	
	11		AN3066-8																	
	12		AN3064-10																	
	13		AN3066-10																	
	14		AN931-12-17																	
	15		AN3022-2																	
	16		AN515-6-6																	
	17		AN3022-1																	
	16		AN515-6-6																	
	18		AN3022-5																	
	15		AN3022-2																	
	16		AN515-6-6																	
	18		AN3022-5																	
	16		AN515-6-6																	
	19		87-552-1021-2																	
	16		AN515-6-6																	
	20		AN3022-8																	
	16		AN515-6-6																	
	21		8755																	
	16		AN515-6-6																	
	22		8752																	
	16		AN515-6-6																	
	23		8754																	
	16		AN515-6-6																	

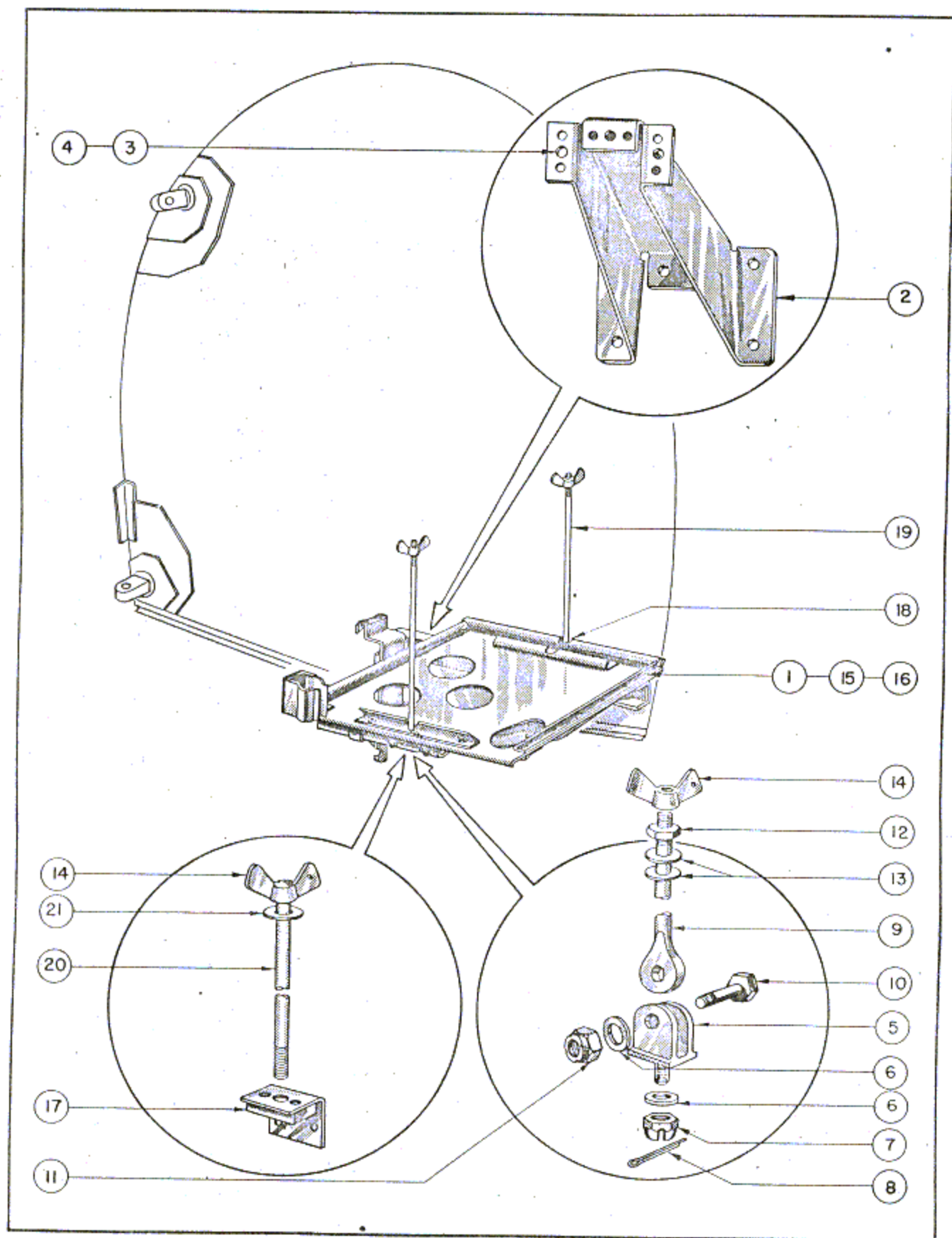


Figure 126—Battery Installation

RESTRICTED
T. O. No. 01-25C-4

SECTION II—GROUP ASSEMBLY PARTS LISTS

FIG. NO.	INDEX NO.	STOCKED	GROUP - FIXED EQUIPMENT						UNITS PER ASSY	PROPERTY CLASSIFICATION			
			MAJOR ASSEMBLY - MAIN SWITCH BOX (Cont.)							U.S. NAVY	U.S. ARMY	BRITISH	
			PART NUMBER	1	2	3	4	5					6
125	24		87-552-1415							1		01-C	126HB
	25		Type F-1							1		05-D	105U
	26		AN515-4-4							3		29	128
	27		365-440							3		04-A	128
	28		Type 0-1C							2		03-C	105C
	29		Type A-8							1		03-C	105C
	16		AN515-6-6							2		29	128
	30		365-632							2		04-A	128
	31		102911							1		03-A	105C
	32		108770							1		03-A	105C
	16		AN515-6-6							2		29	128
	30		365-632							2		04-A	128
	33		109116-15							1		03-A	105C
	16		AN515-6-6							2		29	128
	34		AN960-6							2		04-A	128
	35		NAS-18-A5							2		08-B	105C
	36		NAS-18-A6							2		08-B	105C
	37		FU-39							1		08-B	105C
	38		NAF-213010-4-5							2		08-B	105C
	39		NAF-213011-4							2		08-B	105C
	40		37A5222-13							2		08-B	105C
	41		Type MW-2							2		08-B	105C
	42		AN515-8-10							1		08-B	105C
	9		365-832							4		29	128
43		10 Ohm, 25 Watt 2" A							1		04-A	128	
44		AN515-6-5							2		08-B	105C	
34		AN960-6							2		29	128	
30		365-632							2		04-A	128	
											04-A	128	

FIG. NO.	INDEX NO.	STOCKED	GROUP - FIXED EQUIPMENT						UNITS PER ASSY	PROPERTY CLASSIFICATION				
			MAJOR ASSEMBLY - BATTERY INSTALLATION							U.S. NAVY	U.S. ARMY	BRITISH		
			PART NUMBER	1	2	3	4	5					6	NOMENCLATURE
126			87-66-890										01-C	126HB
			87-554-1411										01-C	126HB
			87-554-1401										01-C	126HB
	1		87-66-877								1		01-C	126HB
	2		87-66-777										01-C	126HB
	3		AN3-4								3		04-A	128
	4		AN960-D10								3		04-A	128
	5		87320-1								2		01-C	126HB
	6		AN960-D416								2		04-A	128
	7		AN310-4								2		04-A	128
	8		AN380-C2-2								2		29	128
	9		87321-10								2		01-C	126HB
	10		AN4-7								2		04-A	128
	6		AN960-D416								2		04-A	128
	11		365-428								2		04-A	128
	12		AN315-4R								2		04-A	128
	13		AN940-416								4		29	128
	14		AN350-4								2		29	128
	15		87-554-1412								1		01-C	126HB
	16		87-554-1412-10								1		01-C	126HB
	2		87-66-777										01-C	126HB
	3		AN3-4								3		04-A	128
	4		AN960-D10								3		04-A	128

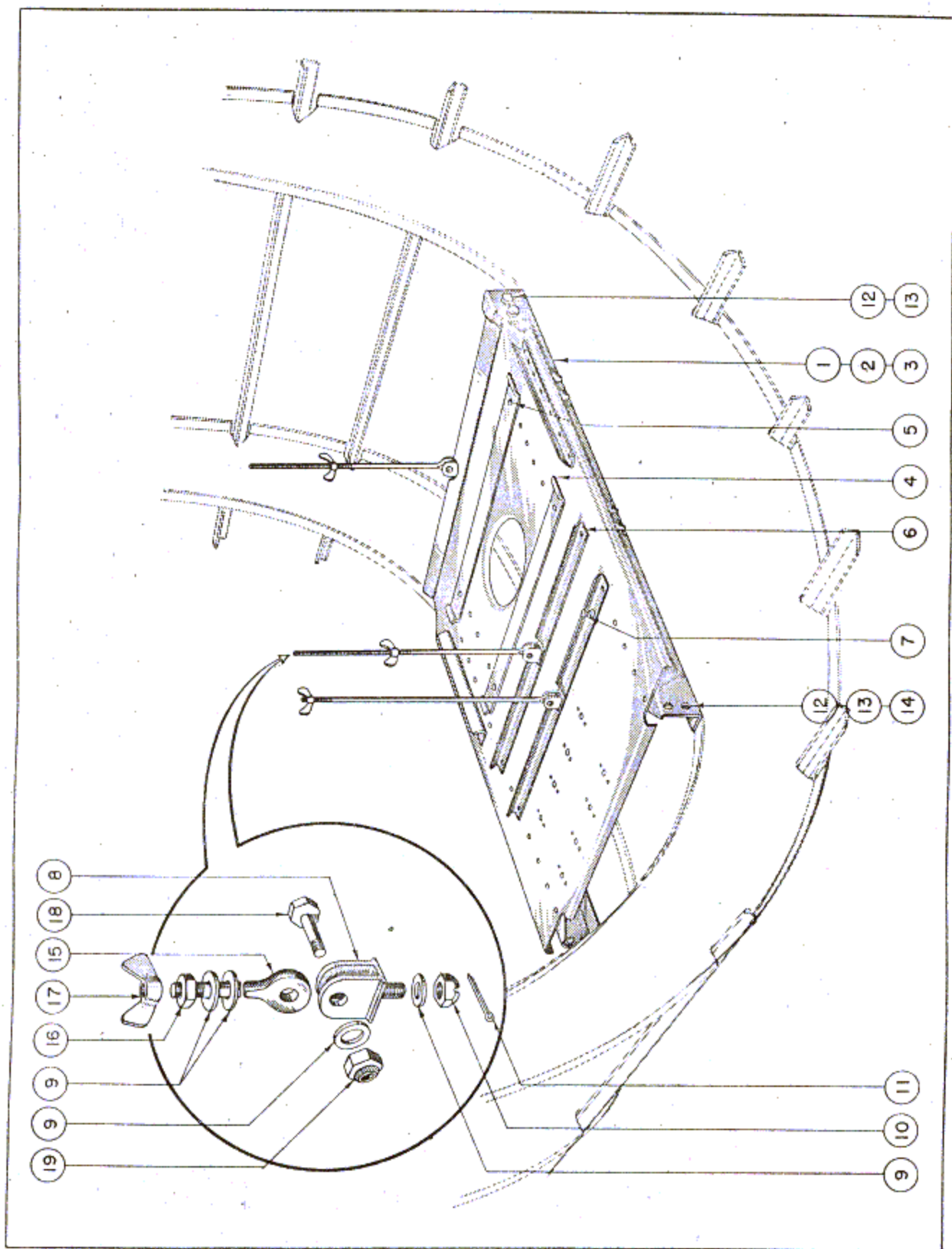


Figure 127—Battery Installation

RESTRICTED
T. O. No. 01-25C-4

SECTION II—GROUP ASSEMBLY PARTS LISTS

FIG. NO.	INDEX NO.	STOCKED	GROUP - FIXED EQUIPMENT						UNITS PER ASSY	PROPERTY CLASSIFICATION		
			MAJOR ASSEMBLY - BATTERY INSTALLATION (Cont.)							U.S. NAVY	U.S. ARMY	BRITISH
			PART NUMBER	1	2	3	4	5				
126	17		87-554-1413						1		01-C	126HB
	18		87-554-1414					Bracket	1		01-C	126HB
	19		87-554-1425					Bracket	2		01-C	126HB
	20		87-554-1426					Tie Rod Assembly	1		01-C	126HB
	14		AN350-4					Tie Rod	1		01-C	126HB
	21		AN935-416					Nut	1		29	128
								Washer	2		29	128
FIG. NO.	INDEX NO.	STOCKED	GROUP - FIXED EQUIPMENT						UNITS PER ASSY	PROPERTY CLASSIFICATION		
			MAJOR ASSEMBLY - BATTERY INSTALLATION							U.S. NAVY	U.S. ARMY	BRITISH
			PART NUMBER	1	2	3	4	5				
127			87-552-1040					Battery Installation	C - F	1	01-C	126HB
	1		87-552-1040-20					Battery Installation	H - J	1	01-C	126HB
	2		87-552-1041					Support Installation	C - F	1	01-C	126HB
	3		87-552-1041-20					Support Installation	H - J	1	01-C	126HB
	4		87-552-1042					Shelf Assembly		1	01-C	126HB
	5		87-552-1061					Brace	C - F	2	01-C	126HB
	6		AN510-10-7					Screw	C - F	4	29	128
	7		87-552-1062					Angle		1	01-C	126HB
	8		AN520-10-7					Screw		2	29	128
	9		87320-1					Eyebolt		2	01-C	126HB
	10		AN960-416					Washer		2	04-A	128
	11		AN310-4					Nut		2	04-A	128
	12		AN380-C2-2					Cotter Pin		2	04-A	128
	13		AN3-4					Bolt		8	04-A	128
	14		AN960-10					Washer		8	04-A	128
	15		365-1032					Nut		4	04-A	128
	16		87321-11					Stud		2	04-A	128
	17		AN960-416					Washer		4	04-A	128
	18		AN315-4R					Nut		2	04-A	128
	19		AN350-4					Nut		2	29	128
	9		AN4-10					Bolt		2	04-A	128
	9		AN960-416					Washer		2	04-A	128
	19		365-428					Nut		2	04-A	128
FIG. NO.	INDEX NO.	STOCKED	GROUP - FIXED EQUIPMENT						UNITS PER ASSY	PROPERTY CLASSIFICATION		
			MAJOR ASSEMBLY - INSTRUMENT INSTALLATION							U.S. NAVY	U.S. ARMY	BRITISH
			PART NUMBER	1	2	3	4	5				
128			87-61-503-1					Instrument Installation	A - B	1	01-C	126HB
	1		87-61-524					Board		1	01-C	126HB
	2		27970					Clock - Type 11 G.F.E.		1	05-C	106A
	3		BC-608					Radio Contactor		1	Sig Corp 110	
	4		8D-J11LXM					Fuel Quantity Gage (General Electric)		1	05-D	106A
	5		AN5735					Turn Indicator		1	05-C	106A
	6		27335					Air Speed Indicator - Type F-2 GFE		1	05-C	106A
	7		27957					Altimeter - Type C-12 GFE		1	05-C	106A
	8		27348					Turn & Bank Indicator - Type A-11GFE		1	05-C	106A
	9		27967					Rate of Climb Indicator - Type A-11 GFE		1	05-C	106A
	10		94-27807					Compass - Type B-16 GFE		1	05-C	106A
	11		AN5736					Flight Indicator		1	05-C	106A

RESTRICTED

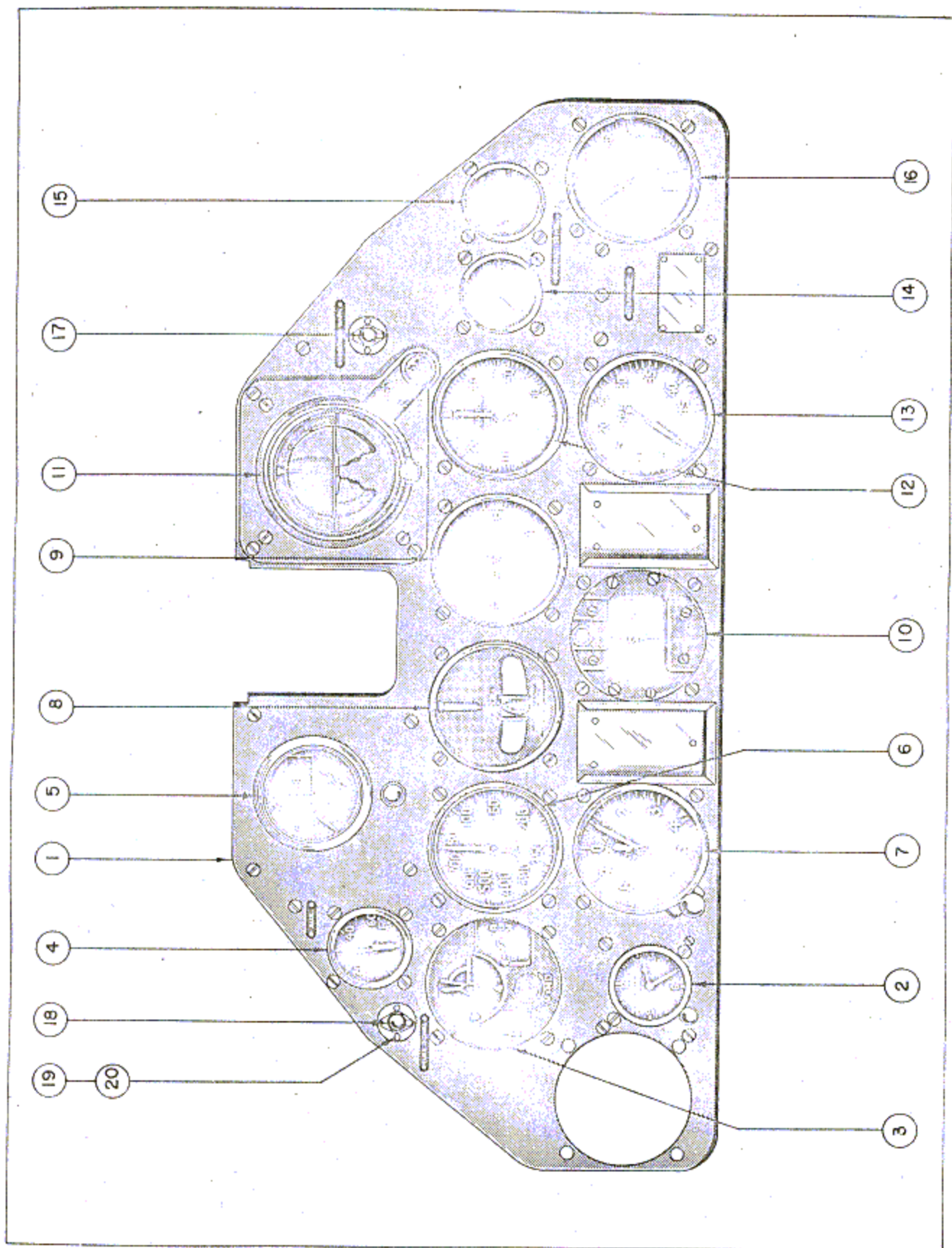


Figure 128—Instrument Installation

RESTRICTED
T. O. No. 01-25C-4

SECTION II—GROUP ASSEMBLY PARTS LISTS

FIG. NO.	INDEX NO.	STOCK KEY	GROUP - FIXED EQUIPMENT						UNITS PER ASSY	PROPERTY CLASSIFICATION							
			MAJOR ASSEMBLY - INSTRUMENT INSTALLATION (Cont.)							U.S. NAVY	U.S. ARMY	BRITISH					
			PART NUMBER	1	2	3	4	5					6	NOMENCLATURE			
128	12		27938									Manifold Pressure Gage - Type D-10 GFE	1		05D	106A	
	13		27353									Tachometer - Type C-11 GFE	1		05-D	106A	
	14		27336									Suction Indicator - Type F-4	1		05-D	106A	
	15		27947									Prestone Temperature Gage - Type A-23 GFE	1		05-D	106A	
	16		27943									Engine Gage Unit - Type B-7 GFE	1		05-D	106A	
	17		39B-2822									Lamp Assembly GFE	1		03-C	105C	
	18		39B-2822-2									Lamp Assembly GFE	1		03-C	105C	
	19		AN505-B4-8									Screw	4		29	128	
	20		365-B440									Nut	4		04-A	128	
	129			87-511-1000									Instrument Installation	C - I	1		01-C
			87-511-1100-40									Instrument Installation	J - P	1		01-C	126HB
			87-511-1100-50									Instrument Installation	R - up	1		01-C	126HB
1			87-511-1011									Board	C - I	1		01-C	126HB
2			87-511-1111									Board	J - up	1		01-C	126HB
3			94-27335-A									Airspeed Indicator - Type F-2 GFE	C - up	1		05-C	106A
4			BC-608									Radio Contact		1		Sig Corp	110
5			94-27970-A									Clock - Type A-11 GFE	C - up	1		05-C	106A
6			8D-J11LAT									Fuselage Fuel Gage		1		05-D	106A
7			AN5760-3									Altimeter GFE	C - up	1		05-C	106A
8			94-27337									Turn & Bank Indicator - Type C-1 GFE	C - up	1		05-C	106A
9			94-27807									Compass - Type B-16 GFE	C - up	1		05-C	106A
10			AN5790-6									Temperature Indicator GFE	C - up	2		05-D	106A
11			94-27353									Tachometer - Type C-11 GFE	C - up	1		05-D	106A
12			94-27943-A									Engine Gage - Type B-7 GFE	C - up	1		05-D	106A
13		AN5825-2									Rate of Climb Indicator	J - up	1		05-C	106A	
14		AN5770-1									Manifold Pressure Gage GFE	C - up	1		05-D	106A	
130			GROUP - FIXED EQUIPMENT						UNITS PER ASSY	PROPERTY CLASSIFICATION							
			MAJOR ASSEMBLY - RADIO SUPPORT INSTALLATION							U.S. NAVY	U.S. ARMY	BRITISH					
			PART NUMBER	1	2	3	4	5					6	NOMENCLATURE			
		1		87-67-820								Shelf Installation - Station #10 & #11	1		01-C	126HB	
		2		87-67-891								Box Assembly	1		01-C	126HB	
		3		AN520-10-8								Screw	8		29	128	
		4		AN960-10								Washer	8		04-A	128	
		5		365-1032								Nut	8		04-A	128	
		6		81-67-280								Bracket	1		01-C	126HB	
		7		AN520-416-10								Screw	2		29	128	
		8		AN960-416								Washer	2		04-A	128	
		9		365-428								Nut	2		04-A	128	
	10		AN3-4								Bolt	8		04-A	128		
	4		AN960-10								Washer	8		04-A	128		
	5		365-1032								Nut	8		04-A	128		

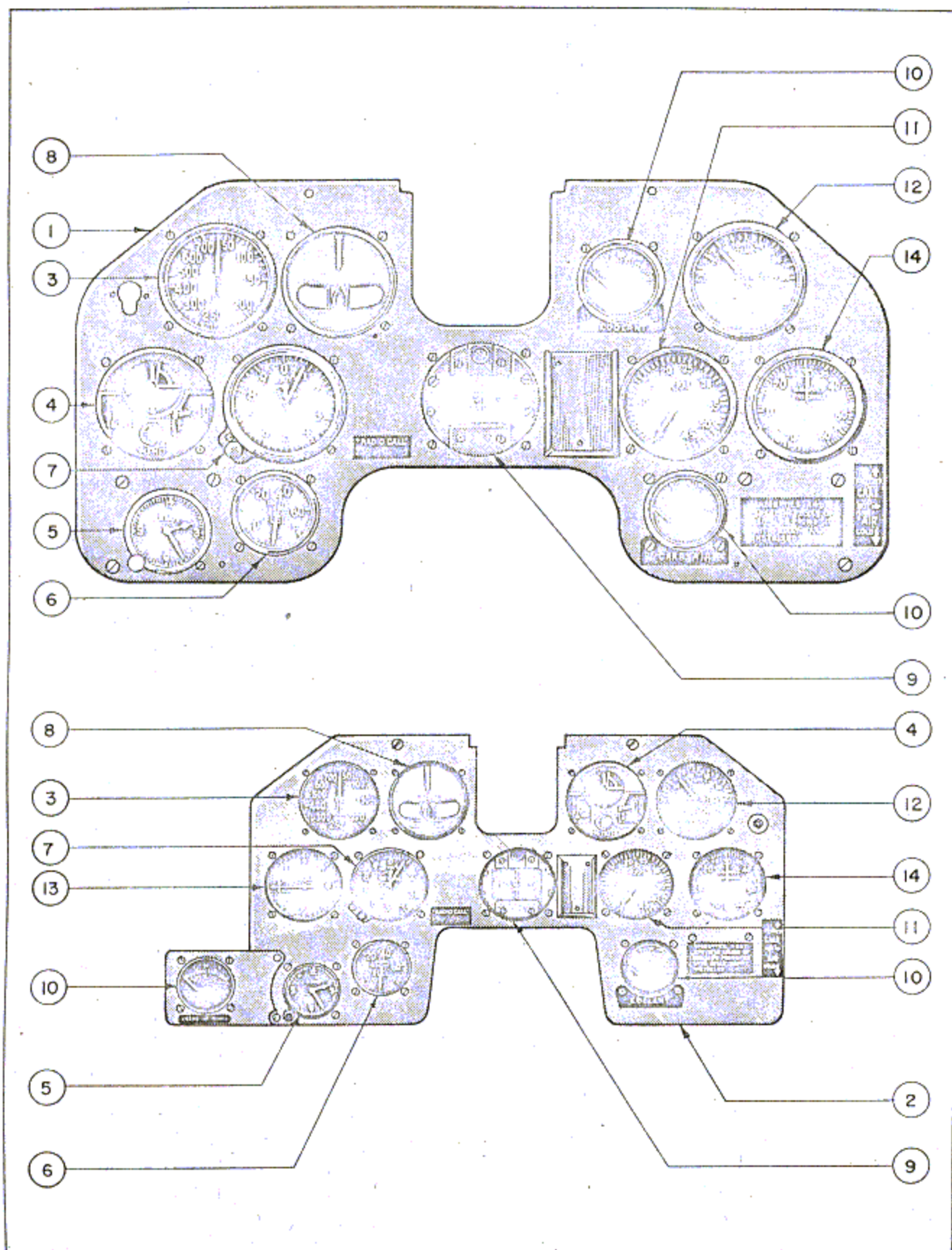


Figure 129—Instrument Installation

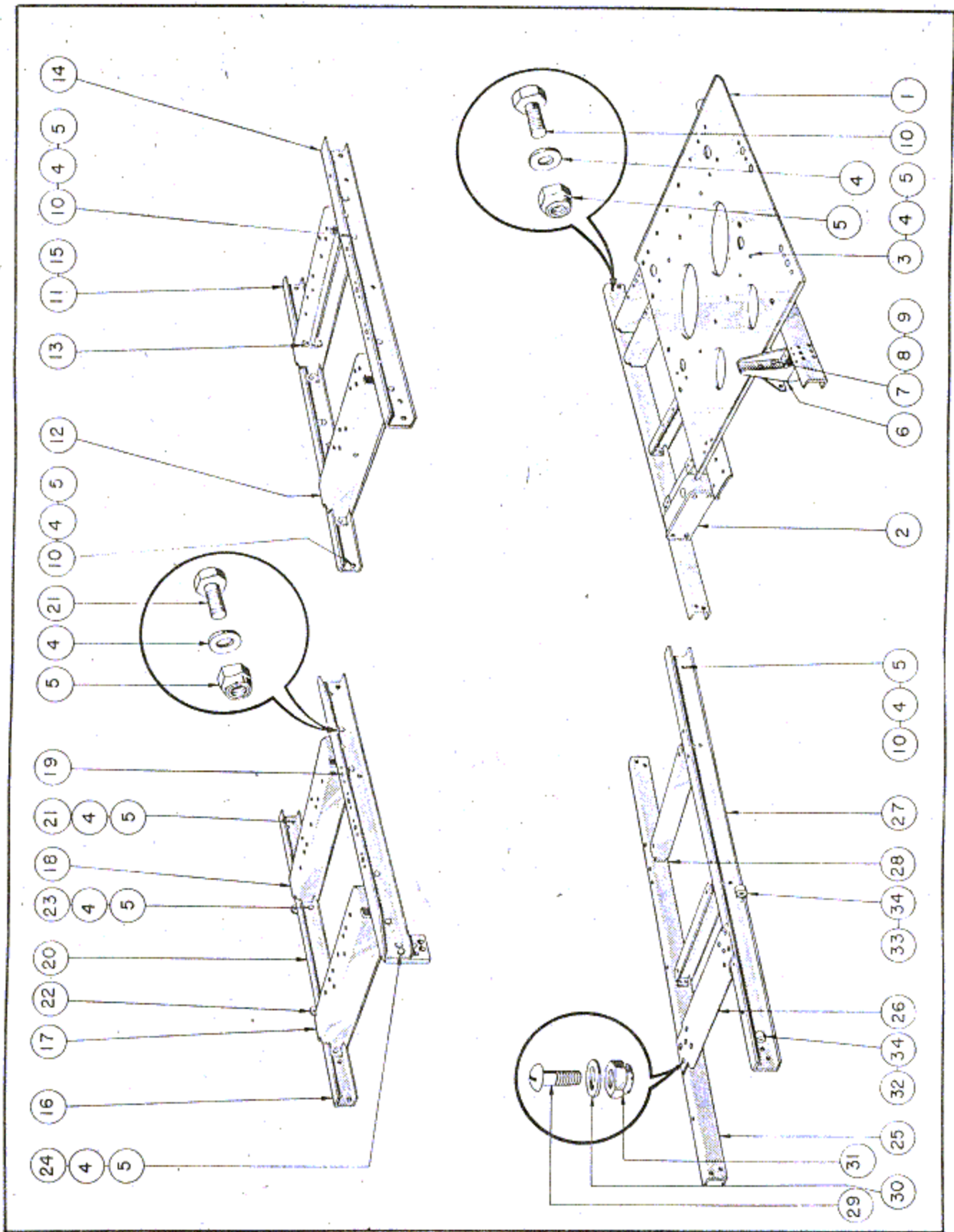


Figure 130—Radio Support Installation

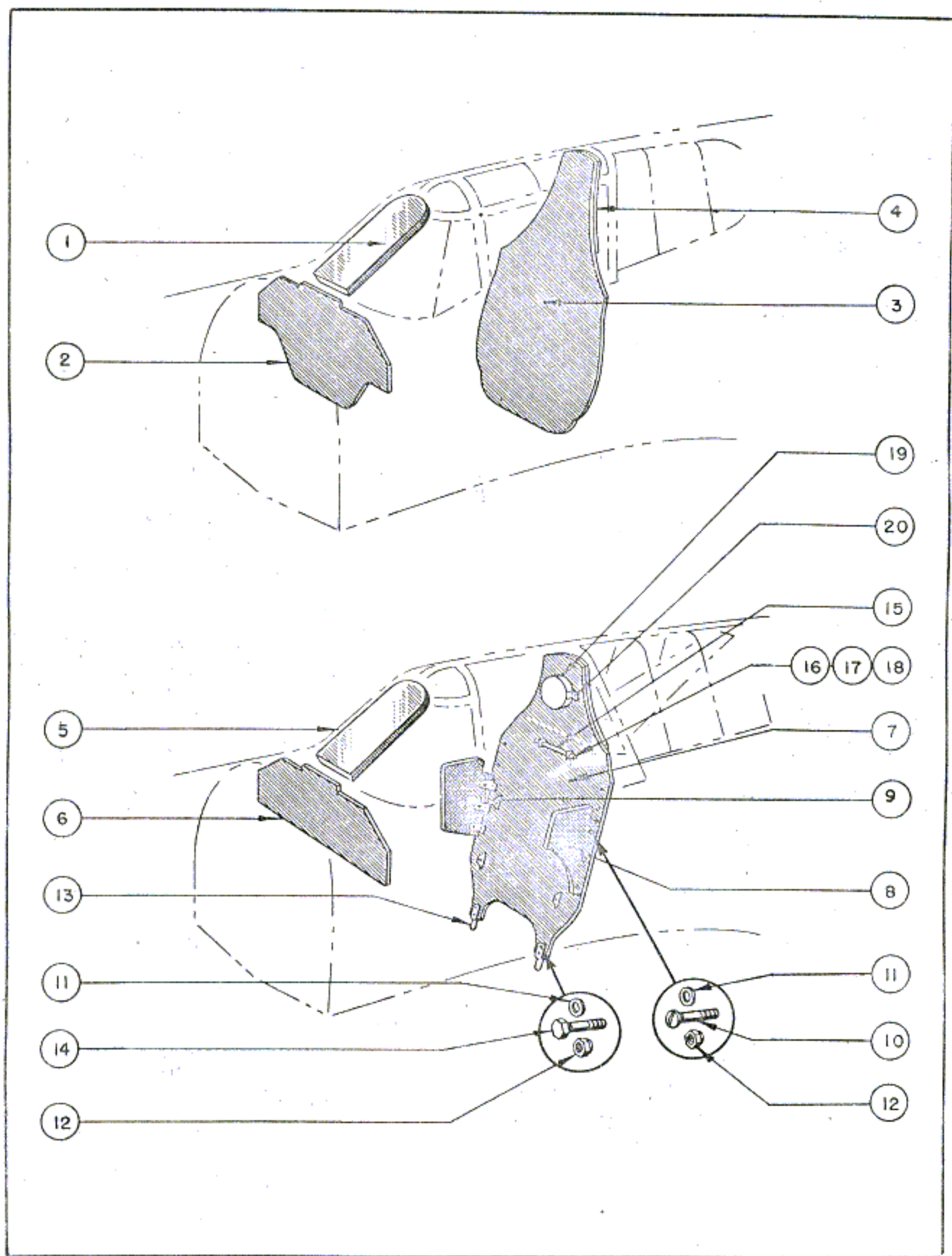


Figure 131—Pilot's Armor Plate

RESTRICTED

T. O. No. 01-25C-4

SECTION II—GROUP ASSEMBLY PARTS LISTS

FIG. NO.	INDEX NO.	STOCK #	GROUP - FIXED EQUIPMENT							UNITS PER ASSY	PROPERTY CLASSIFICATION				
			MAJOR ASSEMBLY - RADIO SUPPORT INSTALLATION (Cont.)								U.S. NAVY	U.S. ARMY	BRITISH		
			PART NUMBER	1	2	3	4	5	6					NOMENCLATURE	
130	11		87-67-853	Shelf Installation - Station #8 & #9							1		01-C	126HB	
	12		87-67-854L	Channel							1		01-C	126HB	
	13		87-67-854R	Channel							1		01-C	126HB	
	14		87-67-853-1	Channel							1		01-C	126HB	
	15		87-67-853-3	Channel							1		01-C	126HB	
	10		AN3-4	Bolt							12		04-A	128	
	4		AN960-10	Washer							12		04-A	128	
	5		365-1032	Nut							12		04-A	128	
	10		AN3-4	Bolt							8		04-A	128	
	4		AN960-10	Washer							8		04-A	128	
	5		365-1032	Nut							8		04-A	128	
	16		87-67-844-10	Shelf Installation - Station #8 & #9							1		01-C	126HB	
	17		87-67-843-10L	Channel							1		01-C	126HB	
	18		87-67-843-10R	Channel							1		01-C	126HB	
	19		87-67-844-1	Channel Assembly							1		01-C	126HB	
	20		87-67-844-3	Channel Assembly							1		01-C	126HB	
	21		AN3-4A	Bolt							12		04-A	128	
	4		AN960-10	Washer							12		04-A	128	
	5		365-1032	Nut							12		04-A	128	
	22		81-67-225	Plate							2		01-C	126HB	
	23		AN520-10-10	Screw							2		29	128	
	4		AN960-10	Washer							2		04-A	128	
	5		365-1032	Nut							2		04-A	128	
	24		AN3-7A	Bolt							2		04-A	128	
	21		AN3-4A	Bolt							6		04-A	128	
	4		AN960-10	Washer							8		04-A	128	
	5		365-1032	Nut							8		04-A	128	
	25		87-67-714	Support Assembly - Station #8 & #9							1		01-C	126HB	
	26		87-67-840	Plate							1		01-C	126HB	
	27		87-67-714-1	Channel							1		01-C	126HB	
	28		87-67-714-3	Channel							1		01-C	126HB	
	29		AN515-8-8	Screw							4		29	128	
	30		AN960-8	Washer							4		04-A	128	
	31		365-832	Nut							4		04-A	128	
	32		3104-1	Clamp							1		04-A	126HB	
	33		3104-2	Clamp							1		04-A	126HB	
	34		530-8-6	Screw							2		29	128	
	10		AN3-4	Bolt							8		04-A	128	
	4		AN960-10	Washer							8		04-A	128	
	5		365-1032	Nut							8		04-A	128	
				GROUP - FIXED EQUIPMENT								PROPERTY CLASSIFICATION			
				MAJOR ASSEMBLY - PILOTS' ARMOR PLATE											
				PART NUMBER	1	2	3	4	5	6	NOMENCLATURE		U.S. NAVY	U.S. ARMY	BRITISH
	131	1		87-26-537	Windshield Panel - Front						A - B	1		01-C	126HB
		2		87-21-652	Armor Plate - Station #2							1		01-C	126HB
		3		87-21-520	Armor Plate - Station #5							1		01-C	126HB
		4		87-21-740	Armor Plate - Station #5							1		01-C	126HB
		5		87-250-1010	Windshield Panel - Front						C - up	1		01-C	126HB
		6		87-215-1010	Armor Plate - Station #2							1		01-C	126HB
				87-215-1001	Armor Plate Assembly							1		01-C	126HB
		7		87-215-1011	Armor Plate							1		01-C	126HB
	8		87-215-1004	Side Deflector							1		01-C	126HB	

RESTRICTED

275

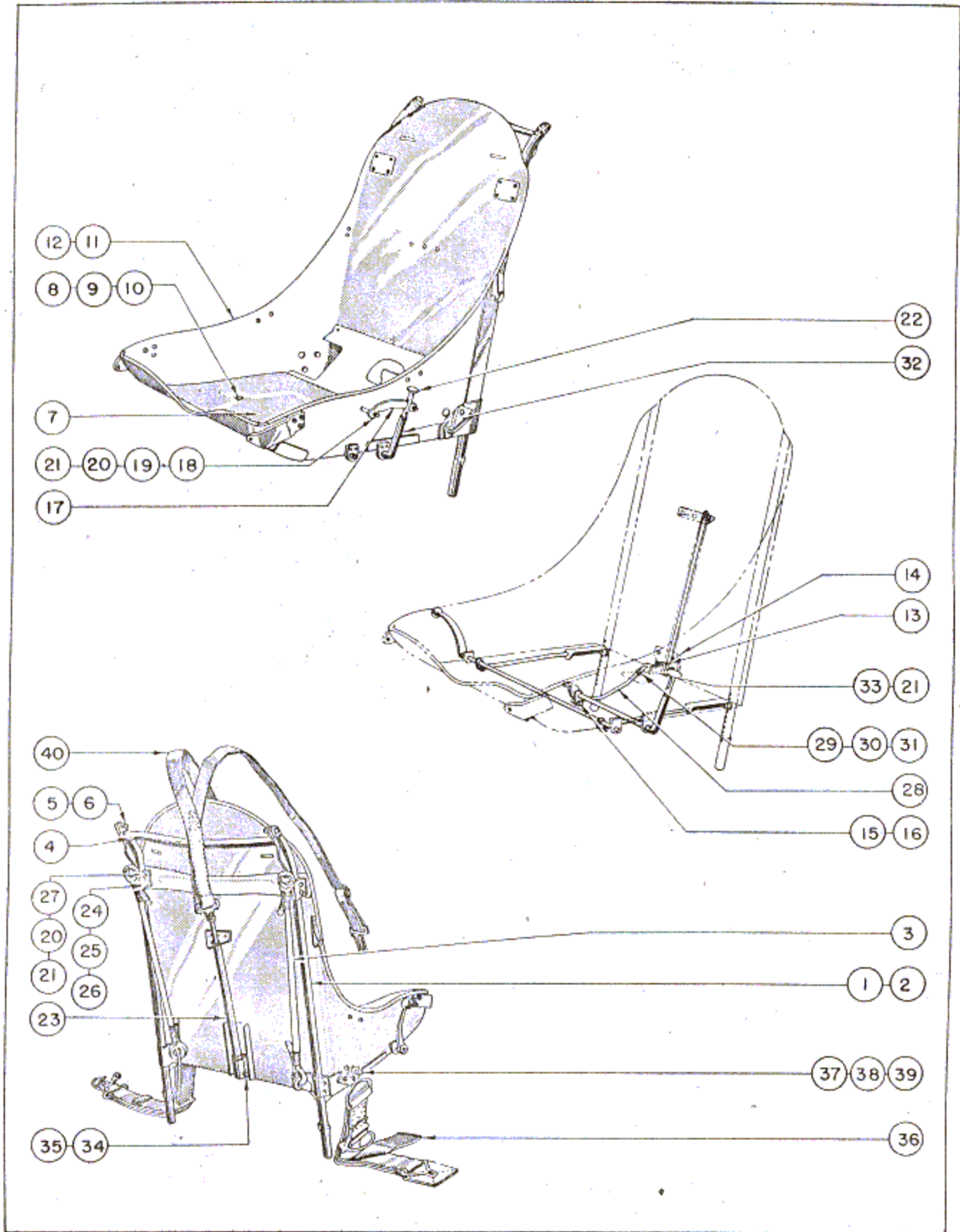


Figure 132—Pilot's Seat

RESTRICTED
T. O. No. 01-25C-4

SECTION II—GROUP ASSEMBLY PARTS LISTS

FIG. NO.	INDEX NO.	STOCKED	GROUP - FIXED EQUIPMENT						UNITS PER ASSY	PROPERTY CLASSIFICATION			
			MAJOR ASSEMBLY - PILOTS' ARMOR PLATE (Cont.)							U.S. NAVY	U.S. ARMY	BRITISH	
			PART NUMBER	1	2	3	4	5					6
131	9		87-215-1003			Side Deflector			1		01-C	126HB	
	10		525-416-14			Screw			6		29	128	
	11		AN960-416			Washer			6		04-A	128	
	12		365-428			Nut			6		04-A	128	
	13		87-215-1007			Leg			2		01-C	126HB	
	14		AN4-14A			Bolt			4		04-A	128	
	11		AN960-416			Washer			4		04-A	128	
	12		365-428			Nut			4		04-A	128	
	15		87-561-1004			Tube			1		01-C	126HB	
	16		87-561-1016			Bushing			2		01-C	126HB	
	17		AN392-27			Pin			2		04-A	128	
	18		AN380-C2-2			Cotter Pin			2		29	128	
	19		87-500-1014			Head Rest			1		01-C	126HB	
	20		AN380-C2-3			Cotter Pin			2		29	128	
	132			87-85-640-10			Furnishings Installation		A - B			01-C	126HB
				87-500-1500			Furnishings Installation		C			01-C	126HB
				87-65-503			Seat Assembly		A - C	1		01-C	126HB
		1		87-65-503-1			Frame Rivet Assembly			1		01-C	126HB
		2		87-65-503-2			Frame Weld Assembly			1		01-C	126HB
		3		87-65-503-10			Cord Assembly			2		01-C	126HB
4			75-65-004			End			2		01-C	126HB	
5			AN24-17A			Bolt			2		04-A	128	
6			364-428			Nut			2		04-A	128	
			87-65-505			Seat Assembly		A - C	1		01-C	126HB	
7			87-65-552			Seat Depression			1		01-C	126HB	
8			1101-DS-8			Screw			2		01-C	126HB	
9			AN960-10			Washer			2		04-A	128	
10			365-1032			Nut			2		04-A	128	
11			87-65-504			Seat Assembly			1		01-C	126HB	
12			87-65-504-1			Seat			1		01-C	126HB	
13			87-65-536-2			Spacer			1		01-C	126HB	
14			87-65-535			Bracket			1		01-C	126HB	
15			87-65-526			Collar			1		01-C	126HB	
16			AN380-2-3			Cotter Pin			1		29	128	
17			87-65-524			Plate			1		01-C	126HB	
18			1026D-.375-.500			Spacer			2		01-C	126HB	
19			AN526-1032-16			Screw			2		29	128	
20			AN960-10			Washer			4		04-A	128	
21			365-1032			Nut			6		04-A	128	
22			87-65-514			Catch Assembly			1		01-C	126HB	
23			87-65-533			Bungee Assembly			1		01-C	126HB	
24			87-65-537			Bracket			1		01-C	126HB	
25			87-65-538			Spacer			1		01-C	126HB	
26			87-65-536-1			Spacer			1		01-C	126HB	
27			AN526-1032-18			Screw			2		29	128	
20			AN960-10			Washer			4		04-A	128	
21		365-1032			Nut			6		04-A	128		
28		87-65-534			Link			1		01-C	126HB		
29		AN526-832-10			Screw			2		29	128		
30		AN960-8			Washer			2		04-A	128		
31		365-832			Nut			2		04-A	128		
32		87-65-528			Tube Assembly			1		01-C	126HB		

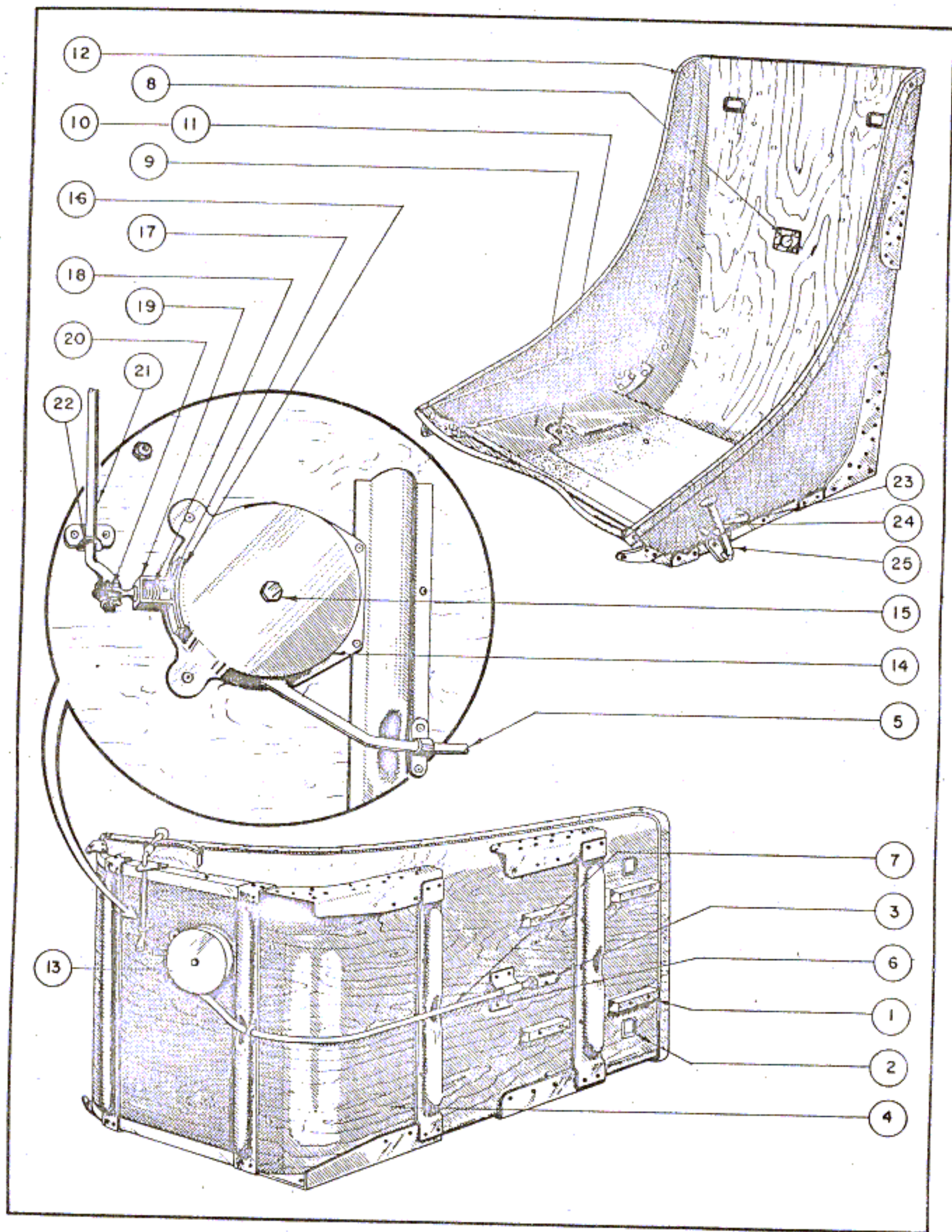


Figure 133—Pilot's Seat

RESTRICTED
T.O. No. 01-25C-4
SECTION II—GROUP ASSEMBLY PARTS LISTS

FIG. NO.	INDEX NO.	STOCK NO.	GROUP - FIXED EQUIPMENT						UNITS PER ASSY	PROPERTY CLASSIFICATION				
			MAJOR ASSEMBLY - PILOTS SEAT (Cont.)							U.S. NAVY	U.S. ARMY	BRITISH		
			PART NUMBER	1	2	3	4	5					6	NOMENCLATURE
132	33		AN3-5A					Bolt		2		04-A	128	
	21		365-1032					Nut		6		04-A	128	
	34		AN3-22A					Bolt		2		04-A	128	
	35		AN310-3					Nut		2		04-A	128	
	36		87-88-901					Furnishings Installation				01-C	126HB	
	37		3461646					Belt Type B11		1		03-F	106F	
	38		AN24-14					Bolt		1		04-A	128	
	39		AN940-416					Washer		1		29	128	
			365-428					Nut		1		04-A	128	
	40		4168725					Shoulder Strap		1		03-F	106F	
133			87-500-1000					Furnishings Installation	D			01-C	126HB	
			87-500-1000-10					Furnishings Installation	E			01-C	126HB	
			87-500-1000-20					Furnishings Installation	F - I			01-C	126HB	
			87-500-1000-50					Furnishings Installation	J - up			01-C	126HB	
			0-3760-E					Seat Assembly	-	D - up		03-F	126HB	
								(American Seat Co. 87-561-1001)						
	1		3760-39A					Block Seat Bumper			4		03-F	126HB
	2		0-3732-88A					Grommet			2		03-F	126HB
	3		0-3731-26A					Shoulder Harness Sub Assembly			1		03-F	126HB
	4		0-3760-15D					Seat Body			1		03-F	126HB
	5		0-3760-31C					Tube Shoulder Harness			1		03-F	126HB
	6		0-3760-10A					Strap, Cable Tube			1		03-F	126HB
	7		0-3760-6C					Tube			1		03-F	126HB
	8		0-3732-93A					Plate Back Reinforcement			1		03-F	126HB
	9		0-3760-13C					Seat Depression			1		03-F	126HB
	10		AN510-10-8					Screw			2		29	128
	11		365-1032					Nut			2		04-A	128
	12		0-3731-87A					Washer			2		03-F	126HB
	13		0-3760-27B					Shoulder Harness Mechanism			1		03-F	126HB
	14		0-3731-19B					Outer Casing			1		03-F	126HB
	15		0-3731-8A					Set Screw			1		03-F	126HB
	16		0-3731-5A					Plate			1		03-F	126HB
	17		0-3731-74A					Collar			1		03-F	126HB
	18		0-3731-2A					Spring			1		03-F	126HB
	19		0-3731-6A					Bracket			1		03-F	126HB
20		0-3731-4A					Plunger Casing			1		03-F	126HB	
21		0-3731-33A					Release Rod			1		03-F	126HB	
22		0-3731-31A					Bearing			1		03-F	126HB	
23		0-3731-25A					Sector			1		03-F	126HB	
24		0-3731-73A					Release Handle			1		03-F	126HB	
25		0-3731-32A					Socket			1		03-F	126HB	

RESTRICTED

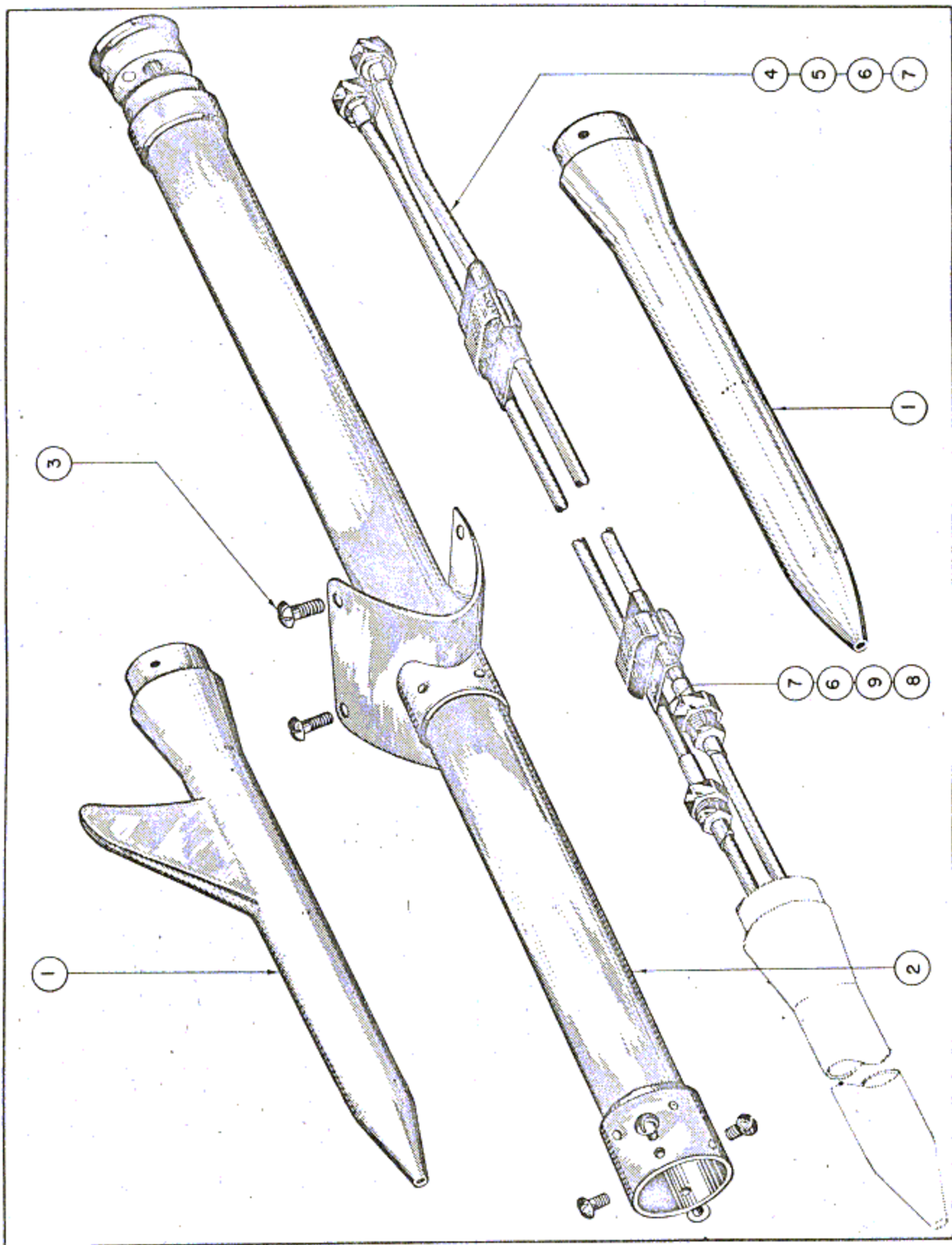


Figure 134—Pitot Tube

RESTRICTED

T. O. No. 01-25C-4

SECTION II—GROUP ASSEMBLY PARTS LISTS

FIG. NO.	INDEX NO.	STOCK KEY	GROUP - FIXED EQUIPMENT						UNITS PER ASSY	PROPERTY CLASSIFICATION													
			MAJOR ASSEMBLY - PITOT TUBE							U.S. NAVY	U.S. ARMY	BRITISH											
			PART NUMBER	1	2	3	4	5					6	NOMENCLATURE									
134			87-511-1010	Tube	Installation											A - up			01-C	126HB			
	1		AN5816-2		Airspeed Head														05-C	106A			
	2		75-66-063-5		Tube Assembly														01-C	126HB			
	3		AN526-8-7		Screw														29	128			
	4		87-511-1010-2		Tube Assembly														01-C	126HB			
	5		87-511-1010-3		Tube														01-C	126HB			
	6		811-T-4D		Sleeve														04-A	128			
	7		811-BT-4D		Nut														04-A	128			
	8		87-511-1010-4		Tube Assembly														01-C	126HB			
	9		87-511-1010-5		Tube														01-C	126HB			
	6		811-T-4D		Sleeve														04-A	128			
	7		811-BT-4D		Nut														04-A	128			
	135			87-71-528	Pyrotechnic	Installation															01-C	126HB	
		1		87-71-531		Pistol M-2 - Pyrotechnic GFE															Ordinance	107B'	
2			87-71-535		Holster Assembly															01-C	126HB		
3			AN3-6		Bolt															04-A	128		
4			AN960-10		Washer															04-A	128		
5			365-1032		Nut															04-A	128		
6			87-03-759		Bracket Assembly															01-C	126HB		
7			87-640-1000	Pyrotechnic	Installation																01-C	126HB	
8			87-640-1000-1		Pistol Installation																01-C	126HB	
9			87-640-1014		Support																01-C	126HB	
10			87-640-1015		Safety Block																01-C	126HB	
10			H42810666		Pistol M-8 - Pyrotechnic GFE																Ordinance	107B	
11			AN4-34		Mount M-1 Furnished with Pistol																Ordinance	107B	
12			AN970-4		Bolt																04-A	128	
13			AN960-10		Washer																04-A	128	
13			AN520-10-7		Screw																29	128	
5			365-1032		Nut																04-A	128	
14			365-428		Nut																04-A	128	
15			87-640-1000-2		Cartridge Installation																01-C	126HB	
16			87-640-1013		Support Assembly																01-C	126HB	
17			42611966		Cartridge Container Type A-5																03-F	107B	
4			AN960-10		Washer																04-A	128	
18			AN526-1032-11		Screw																29	128	
19			AN503-10-8		Screw																04-A	128	
20			AN936-B10		Washer																04-A	128	
21			87-640-1017	Pyrotechnic	Installation																	01-C	126HB
22			87-640-1017-1		Pistol Installation																	01-C	126HB
22			87-640-1016		Holster																	01-C	126HB
10			H42810666		Pistol M-8 - Pyrotechnic GFE																	Ordinance	107B
23			4367044		Holder																	03-F	126HB
24			AN525-10-7		Screw																	29	128
25			AN525-10-9		Screw																	29	128
26			87-640-1017-2		Cartridge Installation																	01-C	126HB
16			87-640-1013		Support Assembly																	01-C	126HB
17		42611966		Cartridge Container Type A-5																	03-F	107B	
18		AN526-1032-11		Screw																	29	128	
27		530-10-8		Screw																	29	128	
20		AN936-B10		Washer																	04-A	128	
4		AN960-10		Washer																	04-A	128	

RESTRICTED

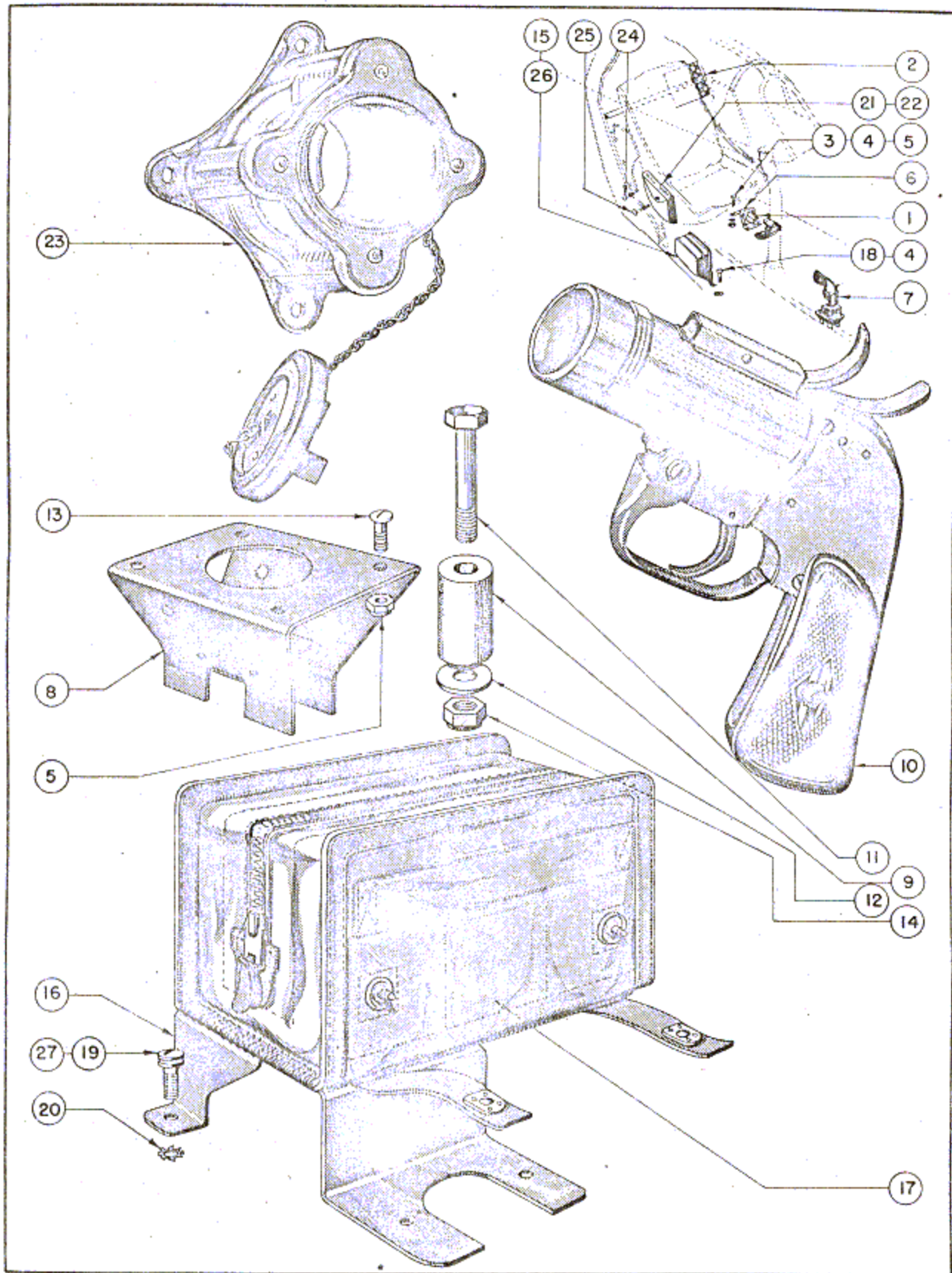


Figure 135—Pyrotechnic Installation

SECTION III

**NUMERICAL
PARTS LIST**

RESTRICTED

SECTION III—NUMERICAL PARTS LIST

PART NUMBER	GROUP LIST PAGE NUMBERS	TOTAL QUANTITY	PART NUMBER	GROUP LIST PAGE NUMBERS	TOTAL QUANTITY	PART NUMBER	GROUP LIST PAGE NUMBERS	TOTAL QUANTITY
AFA-16	55	4	FBA-14	173	13	QS-100M-20	177	2
AFA-35	37	12		177		QS-100M-24	139	18
	55			235			185	
	57		FBA-16	177	22		251	
A5-30	15	2		159		QS-100M-28	163	13
A543	51	1		173			165	
BC-608	271	1		235			167	
B-6-10-1047-2	51	4	FBA-18	177	2		251	
B-1114-24	255	1	FBA-20	177	6	QS-100M-32	139	12
B-1188	255	1		21			185	
B-210002-6	261		FBA-24	23	2	QS-100M-40	251	4
DL-548-1	123	2	FBA-28	139	2	QS-100M-56	141	4
DS-5	31	4	FBA-58	21	4	REB3N	39	4
	33		FBA-88	177	1		41	
D-5	29	6	FBA-90	141	4	RE4F5	145	2
D-1444-24	255	1	FBA-92	141	4	SM-21	263	1
D-1449	255	1	FBA-99	177	1	S5-325	55	6
EX-28549	193	2	FU-39	267	1	S6-425	39	16
EX-38141-13	27	1	F-300	135	12		39	
EX-38141-17	47	3	GA5-312	15	2		139	
	51		GF5-175	57	6	W8304	243	1
EX39077-1	15	3		55	22	YZ-R31	263	1
	47			37		0-3731-2A	279	1
EX39077-2	15	3		133		0-3731-4A	279	1
	47			135		0-3731-5A	279	1
EX46820-23	121	1		137		0-3731-6A	279	1
EX48823	199	1	GF6 1/2-187	39	8	0-3731-8A	279	1
EX48825-1	199	1		133		0-3731-25A	279	1
FAW5-50	55	2	GF6 1/2-218	127	43	0-3731-26A	279	1
FAW6 1/2-55	134	1		129		0-3731-31A	279	1
FA5-35	37	6		131		0-3731-32A	279	1
	133			133		0-3731-33A	279	1
FA5-40	14	38	GF6 1/2-250	131	6	0-3731-73A	279	1
	55			134		0-3731-74A	279	1
	135		GT-33	139	4	0-3731-87A	279	2
	137		KS-3	135	1	0-3731-19B	279	1
FA5-45	39	11	K3L2	70	8	0-3732-88A	279	2
	55			73		0-3732-93A	279	1
FA5-50	14	6	NAF-213010-4-5	267	2	0-3760-10A	279	1
FA5-65	39	2	NAS-18-A5	267	2	0-3760-6C	279	1
FA6 1/2-45	37	32	NAS-18-A6	267	2	0-3760-13C	279	1
	39		NAF-213011-4	267	2	0-3760-27B	279	1
	127		10 OHM 25 Watt			0-3760-31C	279	1
	129		2" A	267	1	0-3760-15D	279	1
	131		PC 2891	121	7	0150795	151	3
	133			233		0150803	151	2
FA6 1/2-50	131	18		253		0150806-4	153	2
	134		P-4CA-1A	173		0152672	167	1
FA6 1/2-55	37	39		175	1	0153189-1	37	6
	131		P-4C-1A	171	1		57	
	133		P4947-M	171	3	0166510-2	199	2
	134			173		0159268	237	1
FA6 1/2-60	131	2	QS-M56	131	2	037994	121	1
	134		QS-100M-12	161	5	068679	219	12
FA6 1/2-65	131	8		165		1025-D-.188-.313	233	4
FA6 1/2-187	37	22		179		1029E-4-4	215	16
FBA-2	159	13	QS-100M-16	159	32	100F	55	13
FBA-4	159	12		159		102911	267	1
FBA-6	139	6		161		104243	151	
	159			163		104265	153	1
FBA-10	159	10		165		108770	267	1
	235			175		109116-15	267	1
FBA-12	235	4		177		113754-128	151	1
				179		113754-138	151	1
				185				

RESTRICTED

SECTION III—NUMERICAL PARTS LIST

PART NUMBER	GROUP LIST PAGE NUMBERS	TOTAL QUANTITY	PART NUMBER	GROUP LIST PAGE NUMBERS	TOTAL QUANTITY	PART NUMBER	GROUP LIST PAGE NUMBERS	TOTAL QUANTITY
113754-139	153	1	35A236-3	115	2	59016-8	51	2
113838	153	1	35A237-3	115	1	59039-1	51	2
19150	115	1	35A239-1	115	1	59039-8	51	2
19268	115	1	35A239-2	115	1	59039-9	45	1
2A5-4	55	1	35A35-3	115	1	59450-1	47	2
200X29	209	1	35B416-1	115	1	59450-3	201	1
200429	209	2	35B416-3	115	1	60088-1	51	2
200430	209	3	36A1953	153	1	605720	175	2
201344	207	3	36A2620	153	1	63249-2	51	2
	209		37A5222-13	267	2	64844-14	232	2
201344-1	207	2	37B4962-1	255	1	648144-14	229	4
201345	207	2	37B4962-2	255	1	65356-1	199	2
201346	209	3	37B4962-3	255	1	65640-1-3/8-2		
	207		37B4962-4	255	1	-1/8H	43	1
201543	179	1	37B4962-5	45	2	68836-2	121	1
2525	105		375F	55	54	68836-3	121	1
27335	269			37		68836-5	121	1
27336	271	1		39		68836-6	121	1
27348	269	1		14		68837-7	121	1
27353	271	1	3760-39A	279	4	72016-1	119	1
27938	271	1	3805989	227	1	72819-13	199	4
27943	271	1	3828	124	1	78291-1	193	2
27947	271	1	38968-8 1/2-D			800-A	241	1
27957	269		-AD	14	4	800-A2	241	2
27967	269	1		13		800-A4	241	2
27970	269		38968-8 1/2-D			800-A7	241	4
281-1	21	2	-BD	14	1	800-A8	241	4
3177	123	2	39A3756	255	1	800-A11	241	2
3179	124	1	39B-2822	271	1	800-A12	241	2
32A509-2	107	2	39B-2822-2	271	1	800-A17	241	2
	109		39G5332	215	6	800-A18	241	2
32A510-2	107	2	3948	124	1	83817	153	1
	109		3949	124	1	84116-1	31	2
3232-1	123	1	41A2988	243	1	84117	31	20
3233	124	1	41B2987	243	1	84285	153	1
3234	123	1	41D10358	215	6	8504377	181	2
3235	123	1	42-A-60	181	1		185	
3265Y	47	2	42B3593-2	249	1	85108-10	147	2
	25		43A9028	247		85371-59.875	191	2
3294	123	1	43A9030	249	1	85371-62.125	191	2
3295	124	1	43519-46	153	2	85371-99.875	191	4
3296	123	1	43758-7	153	2	85388-2A	75	1
3297-1	123	1	47630	193	2	85388-6A	65	11
3298	124	1	48824	199	1		67	
33B1763-1	153	1	54209-3A	153	1		75	
3300-2K	123		57010	51	2	85388-8A	65	35
3300-2	123	2	58126	70	2		67	
3302	124	1		71		85388-11A	75	
3303	124	1	58191	201	1	85388-12A	65	10
3304	124	1	58196	199	2		67	
3305-1	124	1	58197	201	1		75	
3306	123	1	58200	193	2	85388-14A	65	15
3307-5	123	1	58201-1L	193	1		67	
3317	124	2	58201-1R	193	1		75	
34A15-3	107	2	58234-2	193	8	85731-133-375	193	1
	109		58239	193	2	85731-118-625	193	2
3401	123	1	58392	197	2	85731-55.5	193	2
3402	123	1	58393	197	1	85731-19.0937	193	2
3475	124	2	58220-1	193	1	85731-30.500	193	2
3479	123	2	58520-1	193	2	85731-60	193	1
35A230	115	1	58766-3/4	57	2	86554	193	2
35A231	115	1	58766-1 1/2	233	2	87-47-528-10	187	1
35A232	115	1	58766-2 1/2	233	2	87320-1	267	2
35A236-3	115	2	58766-4 3/4	203	2	87321-10	267	2
			59016-4	45	1	87321-11	269	2

RESTRICTED

285

RESTRICTED

SECTION III—NUMERICAL PARTS LIST

PART NUMBER	GROUP LIST PAGE NUMBERS	TOTAL QUANTITY	PART NUMBER	GROUP LIST PAGE NUMBERS	TOTAL QUANTITY	PART NUMBER	GROUP LIST PAGE NUMBERS	TOTAL QUANTITY
87500-2	37	1	75-14-015-12	45	1	75-33-RT-6-2330	209	1
87999-6	237	2	75-14-015-20	45	1	75-33-ST-6-2330	209	1
93375-14-13/16	114	1	75-14-016	49	1	75-33-016-1	21	2
99129	207	8	75-14-019	45	2	75-33-017	21	4
99178	33	1	75-14-022	45	2	75-33-018-1	21	4
99179	33	2	75-14-026	49	1	75-33-019	21	2
99180	33	1	75-14-026-1	47	2	75-33-021	103	1
75-03-073	14	2	75-14-026-2	47	1	75-33-023	103	1
75-03-129	13	4	75-14-027-7	47	1	75-33-025	103	12
75-03-129-3	13	4	75-14-028	49	1	75-33-025-1	103	1
75-03-129-4	13	4	75-14-032	47	1	75-33-025-2	103	1
75-03-149	14	2	75-14-033	47	1	75-33-026-1	103	1
75-03-150	14	2	75-14-034	45	1	75-33-026-2	103	1
75-03-151L	14	1	75-15-013	53	4	75-33-029	103	1
75-03-151R	14	1	75-21-042-1	57	1	75-33-030-1	103	2
75-03-176L	14	1	75-21-045-1	57	2	75-33-030-2	103	2
75-03-176R	14	1	75-21-069-1	57	2	75-33-031-1	103	1
75-03-184-1/2	14	2	75-21-069-2	57	2	75-33-031-2	103	1
-16/64	14	2	75-21-129R	57	3	75-33-032	103	2
75-03-188L	14	1	75-21-129L	57	3	75-33-033	103	3
75-03-188R	14	1	75-21-156	43	2	75-33-034	103	2
75-03-291	79	8	75-21-167	93	4	75-33-035	103	2
75-03-291-1	49	8	75-21-170L	57	1	75-33-036	103	2
75-03-317	29	2	75-21-170R	57	1	75-33-038-4	103	1
75-03-374-8	57	2	75-21-186	95	4	75-33-038-5	103	1
75-05-601-40	25	1	75-21-292-1	81	3	75-33-101-CT		
75-05-022	25	2	75-21-292-5	81	1	-6-2330	205	5
75-05-024	25	2	75-21-303	95	1	75-33-101-CCT		
75-05-024	27	1	75-23-012	39	1	-6-2330	205	2
75-05-025	27	1	75-25-026	201	1	75-33-191-CT5		
75-06-031-2	37	1	75-25-026-.055			-2330	205	2
75-08-013	29	10	-.591	70	2	75-33-101-CT45		
75-08-016	29	4		73		-5-2330	205	3
75-08-024-5L	29	1	75-31-027	105	1		33	
75-08-024-5R	29	1	75-31-032	107	4	75-33-101-CT45		
75-08-024-6L	29	1		109		-6-2330	205	5
75-08-024-6R	29	1	75-31-040	105	1	75-33-101-CT45		
75-11-011	49	16	75-31-041	105	1	-8-2330	205	2
75-11-019-1	49	1	75-31-042	105	2	75-33-101-FT		
75-12-012	40	1	75-31-043	105	2	-5-2330	205	5
75-12-012-1	43	1	75-31-044	111	1		33	
75-12-13	43	1	75-31-045	111	1	75-33-101-FT		
75-12-014L	45	1	75-31-046-1	111	1	-6-2330	205	10
75-12-015	45	1	75-31-048	111	1	75-33-101-HT		
75-12-020	45	1	75-31-049	111	1	-4-2330	205	1
75-12-021	45	1	75-31-050	111	1	75-33-101-HT		
75-12-022	45	1	75-31-061	99	2	-5-2330	243	1
75-12-023	45	1		101		75-33-101-HT		
75-12-024	43	1	75-31-062	99	4	-6-2330	205	7
75-12-024-1	43	1		101		75-33-101-OT		
75-12-024-2	43	1	75-31-063	99	4	-6-2330	205	1
75-13-014	49	2		101		75-33-101-JT		
75-13-025	49	1	75-31-064	99	8	-6-2330	205	3
75-13-037	51	2		101		75-33-109	207	8
75-13-814-1	49	4	75-31-065	99	2	75-33-112	207	8
75-14-011	47	1		101		75-33-113-1	207	8
75-14-012-5	45	2	75-31-066	99	2	75-33-115	205	1
	47			101		75-33-117	207	8
75-14-013-1	47	1	75-31-069	203	2	75-33-135-2	207	11
75-14-014-25L	51	1	75-31-069-1/2				209	
75-14-014-25R	51	1	-7/8	191	2	75-33-462	103	1
75-14-014-30	203	2	75-31-072	105	1	75-33-463	103	1
75-14-014-13	203	1	75-31-073	105	1	75-33-468	209	3
75-14-015-9	45	1	75-31-076	105	1	75-37-019	119	1
			75-31-557	101	1	75-37-020	115	1

RESTRICTED

RESTRICTED

SECTION III—NUMERICAL PARTS LIST

PART NUMBER	GROUP LIST PAGE NUMBERS	TOTAL QUANTITY	PART NUMBER	GROUP LIST PAGE NUMBERS	TOTAL QUANTITY	PART NUMBER	GROUP LIST PAGE NUMBERS	TOTAL QUANTITY
75-37-023	119	2	75-64-040	201	2	81-44-030	173	2
75-37-024	119	1	75-64-045	201	2		175	
75-37-025	119	1	75-64-045-1	201	4	81-49-048-60	129	4
75-37-026	119	1	75-64-047R	28	1	81-64-016	197	2
75-37-028	119	2	75-64-047L	28	1	81-66-018-2	184	1
75-37-029	119	1	75-64-048	199	1	81-66-019-2	184	1
75-37-030	119	2	75-64-049-1	199	1	81-66-098-5	165	2
75-37-031	119	2	75-64-053L	29	1	81-67-225	275	2
75-37-033	119	1	75-64-053R	29	1	84-66-040	237	2
75-37-054	114	1	75-64-058L	31	5	85-25-532	75	1
75-37-059	119	1	75-64-058R	31	5	85-37-022	115	1
75-37-060	119	1	75-64-059	31	2	87-000-1000	7	1
75-37-061	119	1	75-64-061	31	2		31	
75-37-065	119	1	75-64-063L	28	1	87-000-1000-100	7	1
75-37-067-2	119	2	75-64-063R	28	1		31	
75-37-075	197	4	75-64-066	27	2	87-000-1000-200	7	1
75-37-076	193	4	75-64-068	27	2		31	
	197		75-64-071	31	1	87-03-290-12A	7	130
75-37-079	119	1	75-64-072	31	1	87-03-368	7	4
75-37-080	119	1	75-64-073	33	1	87-03-404-12	7	21
75-44-036	171	1	75-64-078	203	1	87-03-404-13	7	3
75-44-038	171	2	75-64-079	203	1	87-03-422-30	14	1
75-44-039	171	1	75-64-080	203	1	87-03-422-40	13	1
75-44-040	171	2	75-64-082-1	201	1	87-03-542	14	1
75-44-059-1	179	2	75-64-081	201	1	87-03-543	14	1
75-44-065	173	2	75-64-084	203	2	87-03-565	7	1
	177		75-64-085	201	2	87-03-660L	14	1
75-44-066	173	2	75-64-086	203	1	87-03-660R	14	1
	177		75-64-088	203	1	87-03-687L	11	1
75-44-076	173	1	75-64-089	201	1	87-03-687R	11	1
75-44-506	171	1	75-64-089	203	3	87-03-688L	11	1
75-46-047	79	1	75-64-090-1	29	4	87-03-688R	11	1
75-46-065	175	1	75-64-092-3	203	1	87-03-705L	11	1
75-46-066	175	1	75-64-092-4	203	1	87-03-705R	11	1
75-62-017	199	1	75-64-093	195	2	87-03-759	281	2
75-62-018	199	4	75-64-096-1	191	1	87-03-790	33	1
75-62-019	199	1	75-64-096-2	191	1	87-03-797	33	1
75-62-020-1	199	1	75-64-098	191	2	87-03-797-1	33	1
75-62-021	199	1	75-64-101	197	1	87-03-826L	31	1
75-62-021-1	199	1	75-64-102	197	1	87-03-826R	31	1
75-63-004	193	2	75-64-103	197	1	87-03-827	11	1
75-63-005	195	4	75-64-104	197	1	87-03-833L	14	1
75-63-007-1	193	2	75-64-105	197	1	87-03-833R	14	1
75-63-007-2	193	2	75-64-108	203	1	87-03-863-2L	11	1
75-63-009	195	2	75-64-108-1	203	1	87-03-863-2R	11	1
75-63-010-2R	193	1	75-64-108-2	203	1	87-03-963-3L	11	1
75-63-010-2L	193	1	75-64-108-3	203	1	87-03-863-3R	11	1
75-63-012-5/16			75-64-111	191	1	87-03-863-10	13	4
-5/16	14	2	75-64-112	191	1	87-03-863-12L	13	1
75-63-502-2	195	2	75-64-113	193	4	87-03-863-12R	13	1
75-64-004	197	1	75-64-113	193	2	87-03-863-20	13	2
75-64-007-1	201	1	75-64-116	191	1	87-03-864-2L	11	1
75-64-007-2	201	1	75-63-004	277	2	87-03-864-2R	13	1
75-64-012	191	1	75-66-063-5	281	1	87-03-864-3L	13	1
75-64-014	28	2	75-66-109-3	119	1	87-03-864-3R	13	1
75-64-016-1/2			75-66-118-12	184	2	87-03-864-6L	13	1
--.123	28	2	75-66-175	99	1	87-03-864-6R	13	1
75-64-018	7	1	75-67-500	91	1	87-03-864-7L	13	1
75-64-025-1	28	2	75-70-448-4-120	237	1	87-03-864-7R	13	1
75-64-026	13	2	75-70-452-24	237	2	87-03-864-13L	13	1
75-64-037	197	2	75-70-452-31	237	2	87-03-864-13R	13	1
75-64-038	201	1	81-37-013	119	1	87-03-901L	7	1
75-64-038-1	201	1	81-33-013-1	21	2		11	
75-64-039	201	2	81-33-013-2	21	2		13	
			81-37-217	114	1		17	

RESTRICTED

RESTRICTED

SECTION III—NUMERICAL PARTS LIST

PART NUMBER	GROUP LIST PAGE NUMBERS	TOTAL QUANTITY	PART NUMBER	GROUP LIST PAGE NUMBERS	TOTAL QUANTITY	PART NUMBER	GROUP LIST PAGE NUMBERS	TOTAL QUANTITY
87-03-901L	21		87-06-032R	37	1	87-030-1000-200L	17	
	27		87-06-502L	37	1		21	
	29		87-06-502R	37	1		27	
87-03-901R	7	1	87-06-503-1	37	1		29	
	11		87-06-508	37	1	87-030-1000-200R	7	1
	13		87-06-528	7	1		11	
	17		87-06-530	7	1		13	
	21		87-06-531	179	1		17	
	27		87-06-532	37	1		21	
	29		87-06-533	37	1		27	
87-03-901-100L	7	1	87-06-703	37	1		29	
	11		87-06-704	7	2	87-030-1011	15	1
	13			33		87-050-1000L	11	
	17		87-06-705	37	1		25	1
	21		87-06-705-10	37	1	87-050-1000R	11	
	29		87-06-901	7	1		25	1
87-03-901-100R	7	1		31		87-050-1000-45L	25	1
	11		87-06-901-100	7	1	87-050-1000-45R	25	1
	13			31		87-090-1000	37	1
	17		87-08-501L	14	2	87-090-1000-8	39	1
	21			29		87-090-1011	39	1
	29		87-08-501R	14	2	87-090-1011-1	39	1
	23	2		29		87-090-1012	39	1
87-03-916L	23	2	87-030-532L	13	1	87-11	9	1
87-03-916R	23	2	87-030-532R	13	1	87-11-025	49	2
87-03-917L	23	1	87-030-1000L	7	1	87-11-026	49	2
87-03-917R	23	1		11		87-11-501	43	1
87-03-919L	23	1		13			49	
87-03-919R	23	1		17		87-11-501-22	49	1
87-03-920L	23	1		21		87-11-502	49	2
87-03-920R	23	1		27		87-12-501	43	2
87-03-949	13	6		29		87-12-517	45	1
87-05-003-24	25	1	87-030-1000R	27		87-12-517-5	45	1
87-05-011-1	25	3		7	1	87-12-919-1	95	1
	27			11		87-12-919-2	95	1
87-05-011-2	25	3		13		87-13-020	47	6
	27			17			51	
87-05-012	25	6		21		87-13-023L	51	1
	27			29		87-13-023R	51	1
87-05-013	25	3	87-030-1011	255	1	87-13-023-1L	51	1
	27		87-030-1018L	235	1	87-13-023-1R	51	1
87-05-014	25	3	87-030-1018R	235	1	87-13-027	51	2
	27		87-030-1019L	235	1	87-13-029	51	2
87-05-015	27	1	87-030-1019R	235	1	87-13-030	51	1
87-05-015L	25	1	87-030-1020L	235	1	87-13-030-1	51	1
87-05-015R	25	1	87-030-1020R	235	1	87-13-031	51	1
87-05-015-1L	25	1	87-030-1021L	235	1	87-13-033-1	51	2
87-05-015-1R	25	1	87-030-1021R	235	1	87-13-037L	49	1
87-05-016 21/26	25	2	87-030-1000-100L	7	1	87-13-037R	49	1
87-05-024	27	2		11		87-13-037-1L	49	1
87-05-035	27	2		13		87-13-037-1R	49	1
87-05-037	27	1		17		87-13-040	51	2
87-05-040	15	1		21		87-13-503L	49	1
87-05-501-40	25	1		27		87-13-503R	49	1
87-05-501-45L	25	1		29		87-13-519	49	2
87-05-501-45R	25	1	87-030-1000-100R	7	1	87-13-519-1	49	2
87-05-501-98	27	1		11		87-13-901L	43	1
87-05-501-99	27	1		13			49	
87-05-501-100	11	1		17		87-13-901R	43	1
	25			21			49	
87-05-501-200	11			27		87-13-901-1	49	1
	25	1		29		87-13-913	49	2
87-05-512	25	1	87-030-1000-200L	7	1	87-14-016	45	1
87-06-026	37	1		11		87-14-017-1	45	1
87-06-032L	37	1		13		87-14-513-6	15	2

RESTRICTED

SECTION III—NUMERICAL PARTS LIST

PART NUMBER	GROUP LIST PAGE NUMBERS	TOTAL QUANTITY	PART NUMBER	GROUP LIST PAGE NUMBERS	TOTAL QUANTITY	PART NUMBER	GROUP LIST PAGE NUMBERS	TOTAL QUANTITY
87-14-549	45	1	87-21-514-35	55	1	87-21-602-1L	85	1
87-14-549-1	45	1	87-21-514-40	55	1	87-21-602-1R	85	1
87-14-558	45	2	87-21-520	275	1	87-21-602-2L	85	1
	47		87-21-521	64	1	87-21-602-2R	85	1
87-14-558-2	47	1	87-21-522	55	1	87-21-603L	85	1
87-14-561	45	1	87-21-522-1	55	2	87-21-603R	86	1
87-14-602	45	1	87-21-524	59	1	87-21-603-1L	86	1
87-14-606	43	1	87-21-524L	57		87-21-603-1R	86	1
87-14-606	45			59	1	87-21-603-2L	86	1
	47		87-21-524R	57		87-21-603-2R	86	1
				59	1	87-21-603-20L	85	1
87-14-606-3	45	1	87-21-524-1L	59	1	87-21-603-20R	86	1
87-14-940	47	1	87-21-526	55	1	87-21-603-40L	86	1
87-14-941	47	1	87-21-526	57		87-21-603-40R	86	1
87-14-942-1	47	2	87-21-526-10	57	1	87-21-603-42L	86	1
87-14-942-2	47	1	87-21-528	59	1	87-21-603-42R	86	1
87-14-942-3	49	1	87-21-529	59	1	87-21-604L	86	1
87-14-943-1	47	2	87-21-531	59	1	87-21-604R	87	1
87-14-943-2	47	1	87-21-541	57	1	87-21-604-1L	87	1
87-14-943-3	49	1	87-21-542-1	57	1	87-21-604-1R	87	1
87-15-012	51	2	87-21-542-2	57	1	87-21-604-2L	87	1
87-15-012-1	51	1	87-21-543-3	59	1	87-21-604-2R	87	1
87-15-503	43	1	87-21-545	55	1	87-21-604-20L	86	1
87-15-905	43	1	87-21-545-1	55	1	87-21-604-20R	87	1
87-15-914	43	1	87-21-549-1L	55	1	87-21-604-21L	87	1
87-15-918	53	1	87-21-549-1R	55	1	87-21-604-21R	87	1
87-15-919	51	1	87-21-549-2L	55	1	87-21-606	89	1
87-21-131L	83	20	87-21-549-2R	55	1	87-21-606-1	89	1
	85		87-21-555	79	4	87-21-606-2	89	1
	86			81		87-21-607	89	1
	87		87-21-558	177	1	87-21-607-1	89	1
	93		87-21-559-4L	55	1	87-21-607-2	89	1
87-21-131R	83	20	87-21-559-4R	55	1	87-21-608	89	1
	85		87-21-568R	75	1	87-21-608-1	89	1
	86		87-21-568-1L	75	1	87-21-608-2	89	1
	87		87-21-568-1R	75	1	87-21-609	91	1
	93		87-21-569L	75	1	87-21-609-1	91	1
87-21-184-1L	85	2	87-21-569R	75	1	87-21-609-2	91	1
	86		87-21-570	75	1	87-21-609-10	91	1
87-21-184-1R	84	2	87-21-570-1	75	1	87-21-612	93	1
	86		87-21-570-3L	75	1	87-21-612-1	93	1
87-21-189	59	1	87-21-570-3R	75	1	87-21-612-2	93	1
87-21-201-2	57	3	87-21-570-4L	75	1	87-21-613	93	1
87-21-226	59	1	87-21-570-4R	75	1	87-21-613-1	93	1
87-21-255	79	1	87-21-570-5L	75	1	87-21-614-4L	95	1
87-21-256	79	1	87-21-570-5R	75	1	87-21-610	91	1
87-21-259	79	1	87-21-576-1	75	2	87-21-610-1	91	1
87-21-360	93	1	87-21-576-2	77	2	87-21-610-2	91	1
87-21-367	59	2	87-21-584L	87	1	87-21-611	91	1
87-21-405	143		87-21-584R	87	1	87-21-611-1	91	1
87-21-405-75	55		87-21-585L	83	1	87-21-611-2	91	1
	59		87-21-585R	85	1	87-21-613-3	93	1
	75		87-21-591L	81	1	87-21-614	93	1
	93		87-21-591R	81	1	87-21-614-1	93	1
87-21-405-100	55		87-21-591-1L	81	1	87-21-614-3L	93	1
	59		87-21-591-1R	81	2	87-21-614-3R	93	1
	75			83		87-21-615	93	1
	93		87-21-593L	79	1	87-21-615-1	93	1
87-21-406-50	79	3	87-21-593R	79	1	87-21-615-4R	95	1
	83		87-21-594	93	1	87-21-616	95	1
	89		87-21-596	57	2	87-21-616-1	95	1
	91		87-21-597	81	1	87-21-616-3	95	1
	93		87-21-597-1	81	1	87-21-617L	83	1
87-21-514-12	55	1	87-21-602L	85	1	87-21-617R	83	1
87-21-514-33	55	1	87-21-602R	85	1	87-21-617-1L	83	1

RESTRICTED

RESTRICTED

SECTION III—NUMERICAL PARTS LIST

PART NUMBER	GROUP LIST PAGE NUMBERS	TOTAL QUANTITY	PART NUMBER	GROUP LIST PAGE NUMBERS	TOTAL QUANTITY	PART NUMBER	GROUP LIST PAGE NUMBERS	TOTAL QUANTITY
87-21-617-1R	83	1	87-22-715-3	144	1	87-25-521	75	1
87-21-617-2L	83	1	87-22-717-1	144	2	87-25-524L	73	1
87-21-617-2R	83	1	87-22-717-2	144	6	87-25-524R	73	1
87-21-624	79	1	87-22-717-3	145	8	87-25-531	73	2
87-21-642	9	2	87-23-502-10	39	1	87-25-534	73	1
87-21-644	59	2	87-23-503-10	39	1	87-25-535	75	1
87-21-647	55	3	87-23-504	37	1	87-25-538	75	1
87-21-647-1	55	3	87-23-504-8	39	22	87-25-538-1	75	1
87-21-649	93	2	87-23-511	39	1	87-25-538-2	75	1
87-21-650	55	1	87-23-511-4	39	1	87-25-542	65	1
87-21-650-2	55	1	87-23-702	37	1	87-25-547	65	1
87-21-652	275	1	87-23-702-20	125		87-25-548	65	1
87-21-736	59	1		127		87-25-549L	65	1
87-21-736-3	59	1		129		87-25-549L	69	1
87-21-740	275	1		131		87-25-549R	65	1
87-21-745	79	1		133		87-25-549R	69	1
87-21-926-2L	59	1		135		87-25-550	67	1
87-21-926-2R	59	1	87-23-703	137		87-25-551L	65	1
87-21-951	95	1		125		87-25-551R	65	1
87-21-951-1	95	1		127		87-25-552	65	1
87-21-951-4	95	1		129		87-25-553	65	1
87-21-951-6	95	1		131		87-25-555	70	8
87-21-952	95	1		133			73	
87-21-952-2	95	1		135		87-25-555-1	70	2
87-21-952-6	95	1		137			73	
87-21-952-7	95	1	87-23-711-2	39	1	87-25-557	65	1
87-21-952-8	95	1	87-23-712	39	1	87-25-558	67	1
87-21-952-9	95	1	87-23-712-2	39	1	87-25-563	65	1
87-21-961	95	1	87-25-111	70	2	87-25-566L	65	1
87-21-961-1	95	1		71		87-25-566R	67	1
87-21-970-1	55	1	87-25-501	55		87-25-570-1L	69	1
87-21-975	59	1		70		87-25-570-1L	71	1
87-22-034-6	143	2		73		87-25-570-1R	69	1
87-22-034-7	143	2	87-25-501-1	65	1	87-25-570-1R	71	1
87-22-512L	143	1	87-25-501-3	67	1	87-25-570-2	69	1
87-22-512R	143	1	87-25-501-7	65	1	87-25-570-2	71	1
87-22-515L	144	1	87-25-501-9	65	1	87-25-570-3	69	1
87-22-515R	144	1	87-25-501-10	65	1	87-25-570-3	71	1
87-22-516L	144	1	87-25-501-11	65	1	87-25-570-4	70	1
87-22-516R	144	1	87-25-501-12	65	1	87-25-570-4	71	1
87-22-517	143	2	87-25-501-13	65	1	87-25-571	70	2
87-22-518	143	2	87-25-501-14	65	1		71	
87-22-519	143	2	87-25-501-15	65	1	87-25-572	70	1
87-22-521-1	143	1	87-25-501-16	65	1	87-25-572-3	73	1
87-22-521-3	143	1	87-25-501-17	67	1	87-25-573	70	2
87-22-527-1	144	2	87-25-501-18	67	1		71	
87-22-527-2	144	2	87-25-501-19	65	1	87-25-575	70	2
87-22-527-3	144	2	87-25-501-20	65	1		73	
87-22-527-4	144	2	87-25-501-24	65	1	87-25-577	70	2
87-22-531-1L	143	1	87-25-501-25	65	1		73	
87-22-531-1R	143	1	87-25-501-26	65	1	87-25-578	70	2
87-22-532	144	1	87-25-501-27	65	1		73	
87-22-533-1	144	2	87-25-501-28	67	1	87-25-580	70	2
87-22-533-2	144	2	87-25-501-29	67	1		71	
87-22-534	144	4	87-25-501-30	67	1	87-25-581L	69	2
87-22-542-1	144	2	87-25-501-31	67	1		71	
87-22-542-2	144	2	87-25-501-32	65	1	87-25-581R	69	2
87-22-702	143	1	87-25-501-37	65	1		71	
87-22-713-1	144	2	87-25-501-38	65	1	87-25-583	69	2
87-22-713-2	144	2	87-25-501-60	65	1		71	
87-22-714	144	4	87-25-503	73	1	87-25-584	70	2
87-22-715-1	144	1	87-25-504	73	1		71	
			87-25-506	73	1	87-25-587	70	2
			87-25-507-10	69			71	
				71				

RESTRICTED
T.O. No. 01-25C-4

SECTION III—NUMERICAL PARTS LIST

PART NUMBER	GROUP LIST PAGE NUMBERS	TOTAL QUANTITY	PART NUMBER	GROUP LIST PAGE NUMBERS	TOTAL QUANTITY	PART NUMBER	GROUP LIST PAGE NUMBERS	TOTAL QUANTITY
87-25-588	70	2	87-26-534	61	2	87-29-521	147	1
	71			63		87-29-522	147	1
87-25-589	70	2	87-26-535	61	2	87-29-523	145	1
	71			63		87-29-524	145	1
87-25-590	70	2	87-26-537	61	1	87-29-525	147	1
	71			275		87-29-526	147	1
87-25-598L	67	1	87-26-541	61	1	87-29-527	147	2
87-25-598R	67	1	87-26-541-1L	63	1	87-29-528	149	1
87-25-604	75	2	87-26-541-1R	61	2	87-29-531	145	1
87-25-605	75	1		63		87-29-533	139	4
87-25-606	70	2	87-26-553L	61	2	87-29-536L	133	1
87-25-607L	70	1		64		87-29-536R	133	1
87-25-607R	70	1	87-26-553R	61	1	87-29-554	127	1
87-25-609	69	2		64		87-29-554-3	127	1
	71		87-26-915-1	63	2	87-29-554-5	127	1
	69			61		87-29-554-7	127	1
87-25-610	71	2	87-26-915-2	61	2	87-29-554-8	127	1
	69			63		87-29-556	133	1
87-25-611	71	2	87-26-915-3	61	4	87-29-556-27	134	1
	71			63		87-29-556-30	134	1
87-25-615	73	1	87-26-916	63	1	87-29-556-32	134	1
87-25-616	73	1	87-26-917-10	63	1	87-29-556-40	134	1
87-25-617	73	1	87-26-917-11	63	1	87-29-556-50	134	1
87-25-618	73	3	87-26-917-12	63	1	87-29-657-1L	131	1
87-25-620L	73	1	87-26-917-14	63	1	87-29-657-1R	131	2
87-25-620R	73	1	87-26-917-15	63	1	87-29-657-13	131	1
87-25-621L	73	1	87-26-917-31	63	1	87-29-702-200	125	1
87-25-621R	73	1	87-26-917-32	63	1	87-29-702-200	125	1
87-25-621-1	73	1	87-26-917-33	63	1		127	
87-25-630	70	2	87-26-917-35	63	1		129	
	71		87-26-918	63	1		131	
87-25-631	70	2	87-29-018	145	1		133	
	71		87-29-022	145	1		135	
87-25-634	75	1	87-29-029	145	1		137	
87-25-636	75	1	87-29-030	145	1	87-29-703	134	1
87-25-639	73	2	87-29-031	145	1	87-29-704	125	1
87-25-641	69	4	87-29-031-1	145	1		127	
	71		87-29-041	147	1		129	
87-25-642	69	4	87-29-042	147	1		131	
	71		87-29-043	147	1		133	
87-26-503-50	61	1	87-29-046	145	1		135	
87-26-517L	61	2	87-29-063	167	1		137	
	64		87-29-093L	134	1	87-29-705-23	129	1
87-26-517R	61	2	87-29-093R	134	1	87-29-705-31	129	1
	64		87-29-100-1L	134	1	87-29-705-50L	129	1
87-26-519L	64	1	87-29-100-1R	134	1	87-29-705-50R	129	1
87-26-519R	61	2	87-29-107	134	1	87-29-705-54	129	1
	64		87-29-108L	134	1	87-29-705-60L	125	1
87-26-519-2	61	1	87-29-108R	134	1	87-29-705-60R	125	1
87-26-520L	61	2	87-29-110	134	1	87-29-705-60L	129	
	64		87-29-113-3	134	2	87-29-705-60R	125	
87-26-520R	61	2	87-29-119-1	145	1	87-29-705	139	1
	64		87-29-122	147	1	87-29-708-6	139	1
87-26-521	61	1	87-29-135	145	1	87-29-708-10	139	1
87-26-522-2	61	2	87-29-139	133	2	87-29-708-20	139	1
	64		87-29-502	139	1	87-29-708-26	139	1
87-26-523L	61	2	87-29-502-1L	139	1	87-29-708-40	139	1
	64		87-29-502-1R	139	1	87-29-708-46	139	1
87-26-523R	61	2	87-29-502-4	141	1	87-29-710	134	1
	64		87-29-502-5	139	1	87-29-711	127	1
87-26-532	61	3	87-29-502-6	139	1	87-29-715-20	134	1
	64		87-29-511	129	1	87-29-715-21	134	1
87-26-533	61	2	87-29-517	145	1	87-29-715-23	134	1
	63		87-29-520	145	1	87-29-732	127	1
				147		87-29-733	81	4
							83	

RESTRICTED

SECTION III—NUMERICAL PARTS LIST

PART NUMBER	GROUP LIST PAGE NUMBERS	TOTAL QUANTITY	PART NUMBER	GROUP LIST PAGE NUMBERS	TOTAL QUANTITY	PART NUMBER	GROUP LIST PAGE NUMBERS	TOTAL QUANTITY
87-29-734	127	1	87-31-052	105	1	87-31-901R	99	1
87-29-735	127	1	87-31-505	99	1		103	
87-29-737L	134	1	87-31-505	101	1		107	
87-29-737R	134	1		103			109	
87-29-738	144	1	87-31-507L	107	2	87-31-901-1	99	1
87-29-739	134	1		109		87-31-901-2	99	1
87-29-740	133	3	87-31-507R	107	2	87-31-901-3	99	1
87-29-741L	133	1		109		87-31-901-4L	99	1
87-29-741R	133	1	87-31-512	111	1	87-31-901-4R	99	1
87-29-743	127	1	87-31-515	111	1	87-31-901-10L	99	1
87-29-744	127	1	87-31-517	105	1		103	
87-29-748	134	1	87-31-519-1	99	2		107	
87-29-749	134	1		101			109	
87-29-749-7	134	1	87-31-510-2	99	2		111	
87-29-750	139	2		101		87-31-901-10R	99	1
87-29-756	133	1	87-31-520L	107	2		103	
87-29-764L	127	1		109			107	
87-29-764R	127	1	87-31-520R	107	2		109	
87-29-768L	125	1		109			111	
	129		87-31-521	99	4	87-31-906L	14	1
87-29-768R	125	1		101		87-31-906R	14	1
	129		87-31-522	99	2	87-31-906-4L	99	1
	135	1		101		87-31-906-4R	99	1
87-29-776-7	135	2	87-31-524L	99	2	87-31-906-1	14	2
87-29-776-8	135	1		101		87-31-906-2L	15	1
87-29-776-9	135	1	87-31-524R	99	2	87-31-906-2R	15	1
87-29-776-24	135	1		101		87-31-906-3L	15	1
87-29-776-26	135	2	87-31-525L	107	2	87-31-906-3R	15	1
87-29-776-42	135	1		109		87-31-906-4L	101	1
87-29-776-45	135	1	87-31-525R	107	2	87-31-906-4R	101	1
87-29-776-46	135	1		109		87-31-906-5L	105	1
87-29-790	135	2	87-31-525-1L	107	2	87-31-906-5R	105	1
	137			109		87-31-906-6L	105	1
87-29-791	135	2	87-31-525-1R	107	2	87-31-906-6R	105	1
	137			109		87-31-910L	99	2
87-29-792	125	1	87-31-525-2L	107	2		103	
	127			109			107	
87-29-792-105	127	1	87-31-525-2R	107	2		109	
87-29-806-30	137	1		109		87-31-910R	99	2
87-29-816	125	1	87-31-527	99	2		105	
	133			101			107	
87-29-816-30	133	1	87-31-528	107	2		109	
87-29-816-34	133	1		109		87-31-912L	111	1
87-29-816-50	125	1	87-31-528-1	107	2	87-31-912R	111	1
	133			109		87-31-912-1L	111	1
87-29-816-62	133	1	87-31-532	111	1	87-31-912-1R	111	1
87-29-816-72	133	1	87-31-536	105	1	87-31-913L	111	1
87-29-819-1	133	1	87-31-537	107	2	87-31-913R	111	1
87-29-819-4	133	1		109		87-31-913-1L	111	1
87-29-819-21	133	1	87-31-547	105	1	87-31-913-1R	111	1
87-29-855	134	2	87-31-550	107	16	87-31-918	105	1
87-29-864	125	1		109		87-31-921L	111	1
	127		87-31-551	107	4	87-31-921R	111	1
	127			109		87-31-923	107	2
87-29-864-105	127	1		99	2		109	
87-29-865	127	2	87-31-557	105	6	87-31-924	107	2
87-31-014	111	1	87-31-558	105	1		109	
87-31-025	103	1	87-31-559	105	1		105	1
87-31-026	103	2	87-31-561	107	4	87-31-935L	105	1
87-31-027	103	1		109		87-31-935R	105	1
87-31-028	103	1	87-31-574L	105	1	87-31-936L	105	1
87-31-034	103	1	87-31-574R	105	1	87-31-936R	105	1
87-31-041L	105	1	87-31-901L	99	1	87-31-937	107	4
87-31-041R	105	1		103			109	
87-31-051	105	1		107		87-31-939	107	2
				109			109	

RESTRICTED

SECTION III—NUMERICAL PARTS LIST

PART NUMBER	GROUP LIST PAGE NUMBERS	TOTAL QUANTITY	PART NUMBER	GROUP LIST PAGE NUMBERS	TOTAL QUANTITY	PART NUMBER	GROUP LIST PAGE NUMBERS	TOTAL QUANTITY
87-31-941	111	2	87-33-062	213	2	87-34-507R	41	1
87-31-942	111	1	87-33-063	213	2	87-34-512	39	2
87-31-946	111	1	87-33-064	213	4		41	
87-31-946-1	111	1	87-33-065	209	1	87-34-515	39	2
87-31-946-2	111	1	87-33-066	207	1		41	
87-32-501	121	1		209		87-34-526-2	40	2
	123		87-33-067	213	1		41	
87-32-501-1	121	1	87-33-069	207	1	87-34-527	40	2
87-32-501-2L	121		87-33-070	213	2		41	
87-32-501-2R	121		87-33-071	207	1	87-34-529	40	2
87-32-501-4L	121	1		209			41	
87-32-501-4R	121	1	87-33-071-1	209	1	87-34-530	105	1
87-32-501-6L	121	1	87-33-072	205	2	87-34-538	40	2
87-32-501-6R	121	1		207			41	
87-32-505	193	1	87-33-079	209	1	87-34-916	41	1
87-32-515	121	1	87-33-088	209	1	87-34-917	41	1
87-32-519L	123	1	87-33-089	207	1	87-34-918	41	1
87-32-519R	123	1	87-33-090	209	1	87-37-013	119	1
87-32-523L	123	2	87-33-093	207	1	87-37-016	119	1
87-32-523R	123	2	87-33-099	103	1	87-37-018	119	1
87-32-524	85	1	87-33-502	21	2	87-37-024	115	2
87-32-525	123	2	87-33-503	205	1	87-37-035	115	2
87-32-526	121	1	87-33-503	207		87-37-045	40	2
87-32-527	121	1	87-33-504	205	1		41	
87-32-528-1	121	1	87-33-504-1	213	4	87-37-510	114	1
87-32-528-2	121	1	87-33-504-2	213	2		119	
87-32-529	123	2	87-33-510	103	1	87-37-512	114	1
87-32-530	171	2	87-33-512	205	1	87-37-513	114	1
87-32-532	121	1	87-33-513	207	1	87-37-514	119	1
87-32-534	123	2	87-33-514	207	1	87-37-516	119	1
87-32-535	123	2	87-33-515	103	1	87-37-521	114	1
87-32-537	123	2	87-33-518	21	2	87-37-523	115	1
87-33-011	205	1	87-33-528	209	1	87-37-525	114	1
87-33-012	205	1	87-33-530	205	1	87-37-535	115	1
87-33-013	205	1	87-33-533	205	1	87-37-536	115	1
87-33-014	205	1	87-33-534	209	1	87-37-550	115	1
87-33-017	205	1	87-33-542	21	2	87-37-9C1	114	1
87-33-018-10	205		87-33-542-1	21	2	87-37-901	115	
87-33-018-20	205		87-33-554	245	1	87-37-901-2	115	
87-33-019	207	8	87-33-902	205	1	87-37-901-3	115	1
87-33-020	207	8	87-33-902-213	205	2	87-37-901-4	115	1
87-33-021-1	207	8		207		87-37-901-200	114	1
87-33-021-2	207	2	87-33-902-300	205	1		115	
87-33-025	207	1	87-34-016	39	2	87-37-905	114	1
87-33-025	209			41			115	
87-33-026	209	1	87-34-018	39	2	87-37-905-10	114	1
87-33-028	209	1		41			115	
87-33-030	209	1	87-34-026	40	2	87-37-919	119	1
87-33-031	207	1		41		87-37-920	115	1
87-33-032	209	1	87-34-035	40	2	87-37-927	114	1
87-33-038	209	1		41		87-37-932	115	1
87-33-039	207	1	87-34-036	40	2	87-41-511	171	1
87-33-040	207	1		41		87-41-511-1	171	1
87-33-048	213	1	87-34-037	40	2	87-41-511-2	171	1
87-33-049	213	2		41		87-41-511-3	171	1
87-33-050	209	1	87-34-038L	105	1	87-41-512	171	1
87-33-051	209	1	87-34-038R	105	1	87-41-514	141	16
87-33-053	209	1	87-34-501L	39	1	87-41-702-20	141	1
87-33-054	213	1	87-34-504L	39	1	87-42-022	149	1
87-33-055	213	2	87-34-505L	40	1	87-42-027	143	3
87-33-058-1	213	2	87-34-505R	41	1	87-42-526	143	3
87-33-058-2	213	2	87-34-506L	39	1	87-42-528	143	2
87-33-059	213	4	87-34-506R	41	1	87-42-531	143	1
			87-34-507L	40	1	87-42-535	143	1
						87-42-537	143	1

RESTRICTED

293

RESTRICTED

SECTION III—NUMERICAL PARTS LIST

PART NUMBER	GROUP LIST PAGE NUMBERS	TOTAL QUANTITY	PART NUMBER	GROUP LIST PAGE NUMBERS	TOTAL QUANTITY	PART NUMBER	GROUP LIST PAGE NUMBERS	TOTAL QUANTITY
87-42-540-1	143	1	87-44-935-.75			87-46-545	185	
87-42-540-2	143	1	-9.0	177	1	87-46-546	181	1
87-42-540-8	143	3	87-44-935-.75			87-46-552	183	1
87-42-1006	179		-9.5	177	1	87-46-564	159	1
87-43-512	141	1	87-44-963	175	1	87-46-568	139	2
87-43-521	141	1	87-45-011	177	4	87-46-571	185	1
87-43-540	143	1	87-45-083	179	1	87-46-572	183	1
87-43-701	141	1	87-45-091	177	1	87-46-574	183	1
87-43-729	141	1	87-45-096	177	2	87-46-575	183	2
87-43-1016	189	1	87-45-097	177	2		185	
87-44-024-2	173	2	87-45-508	237	1	87-46-577	183	1
	175			239		87-46-702	183	
87-44-030	171	1	87-45-508-11	237	2	87-46-702-6	183	1
87-44-057	179	4	87-45-513	179	4	87-46-702-7	181	1
87-44-058L	179	1	87-45-518L	239	1	87-46-702-24	183	1
87-44-058R	179	1	87-45-518R	239	1	87-46-702-30	183	1
87-44-059L	179	1	87-45-519	239	2	87-46-702-33	181	1
87-44-059R	179	1	87-45-522 1	179	1	87-46-702-35	181	1
87-44-230	179	2	87-45-524	171	1	87-46-702-40	181	1
87-44-512	171	1	87-45-525	173	1	87-46-702-42	179	1
87-44-513-1	171	1	87-45-531-1L	239	1	87-46-702-43	181	1
87-44-513-2	173	1	87-45-531-1R	239	1	87-46-702-44	181	1
87-44-514	173	1	87-45-531-2L	239	1	87-46-702-56	181	1
87-44-514-1	171	1	87-45-531-2R	239	1	87-46-702-59	181	1
87-44-534	171	1	87-45-533	233	2	87-46-702-60	181	1
87-44-534-20	173	1	87-45-533-1	177	1	87-46-702-100	179	
87-44-534-30	175	1	87-45-533-5	233	2	87-49-711	37	1
87-44-536-5	179	1	87-45-533-6	233	2	87-46-712	185	2
87-44-536-5	175	1	87-45-535	239	4		183	
87-44-536-6	175	2	87-45-539L	239	1	87-46-713	183	1
	179		87-45-533-2	179	1	87-46-714	181	1
87-44-558	173	1	87-45-533-5	229	2	87-46-715	181	2
87-44-567L	179	2	87-45-533-7	229	2		185	
87-44-567R	179	2	87-45-533-10	229	2	87-46-724	157	1
87-44-568L	179	1	87-45-538	239	4	87-46-724-1	159	1
87-44-568R	179	1	87-45-539R	239	1	87-46-724-10	159	1
87-44-569	179	2	87-45-540L	239	1	87-46-724-11	159	1
87-44-571-1	179	2	87-45-540R	239	1	87-46-724-12	159	1
87-44-581	235	2	87-45-542	237	1	87-46-724-16	159	1
87-44-701	171	1	87-45-543	239	6	87-46-724-31	159	1
	177		87-45-544-120	237	1	87-46-724-34	159	1
	179		87-45-545	237	1	87-46-724-37	159	1
87-44-701-42	171	1	87-45-579	177	2	87-46-724-38	159	1
87-44-702	177		87-45-579	177	2	87-46-724-39	159	1
	179		87-45-580	177	4	87-46-724-42	159	1
87-44-908	173	1	87-45-914	171	1	87-46-724-43	157	1
87-44-908	175	1	87-45-915	177	1	87-46-726	165	1
87-44-913	171	2	87-46-011	169	2	87-46-902	179	1
	173		87-46-033	235	6		183	
87-44-917	171	1	87-46-509	183	1	87-46-902-1	183	1
87-44-935-1-12	173	1	87-46-521	183	4	87-46-931	184	1
87-44-935-75			87-46-525	183	1	87-46-932	184	1
-115.0	173	1	87-46-526-1	183	2	87-46-933	184	1
87-44-935-.75			87-46-526-2	183	2		189	
-4	173	1	87-46-530	183	1	87-46-934	184	1
87-44-935-.75			87-46-533	187	2	87-46-935	184	2
-4.00	175	1		183			189	
87-44-935-.75			87-46-534L	184	1	87-46-936	184	2
-10.25	173	1	87-46-534R	184	1		189	
87-44-935-.75			87-46-535	181	1	87-47-501-1	184	1
-10.35	175	1	87-46-536	181	1	87-47-501-3	184	1
87-44-935-.75			87-46-543	181	1	87-47-501-30	184	1
-13.5	175	1	87-46-544	181	2	87-47-510	184	2
			87-46-545	185			187	
				181	2			

RESTRICTED

SECTION III—NUMERICAL PARTS LIST

PART NUMBER	GROUP LIST PAGE NUMBERS	TOTAL QUANTITY	PART NUMBER	GROUP LIST PAGE NUMBERS	TOTAL QUANTITY	PART NUMBER	GROUP LIST PAGE NUMBERS	TOTAL QUANTITY
87-47-510-1	184	2	87-50-703-7	163	1	87-52-560	153	1
	187		87-50-703-9	161	1	87-52-702	151	
87-47-510-2	184	2	87-50-703-16	163	1	87-52-702-1	149	
	187		87-50-703-19	163	1	87-52-716	153	2
87-47-511	184	2	87-50-703-22	161	1		157	
	187		87-50-703-27	163	1	87-52-721	151	1
87-47-512	184	2	87-50-703-31	163	1	87-52-722	151	1
	187		87-50-703-36	161	1	87-52-724	149	1
87-47-520	184	2	87-50-703-37	161	1	87-52-727	151	1
	187		87-50-703-38	168	1	87-52-734	155	1
87-47-523	184	2	87-50-703-40	163	1	87-52-736	149	1
	187		87-50-703-42	163	1	87-52-957	155	1
87-47-524	184	1	87-50-705-50	169		87-61-503-1	269	1
87-47-525	184	2	87-50-711L	144	2	87-61-524	269	1
	187		87-50-711R	144	2	87-62-016	199	1
	184	1	37-50-715	167	2	87-62-017	199	1
87-47-813	184	1	87-50-716	167		87-62-501	197	1
87-48-524L	141	6	87-50-723L	135	1	87-62-512	197	1
87-48-712L	141	1	87-50-723R	135	1	87-62-515	199	1
87-48-712R	141	1	87-50-724	137	1	87-62-516	199	1
87-48-712-100R	141	1	87-50-726-1	135	1	87-63-501R	193	1
87-48-712-100L	141	1	87-50-726-2	135	1	87-63-501L	193	1
87-50-015L	163	1	87-50-726-3	135	1		195	
	167		87-50-726-4	135	1	87-63-501R	195	
87-50-015R	163	1	87-50-726-5	135	1	87-63-502-1	193	2
	167		87-50-726-6	125	1	87-63-504	193	2
87-50-021	169	2	87-50-729	135	1	87-63-506R	193	2
87-50-026	169	1	87-50-730	135	1	87-63-506L	193	2
87-50-027	169	1	87-50-731	135	12	87-63-513R	193	1
87-50-028	169	2	87-50-731	135	12	87-63-513L	193	1
87-50-032	131	1	87-50-732	137	2	87-63-514R	193	1
87-50-036	151	1	87-50-733	137	1	87-63-514L	193	1
87-50-038	169	1	87-50-735	137	1	87-63-514L	193	1
87-50-040	169	2	87-50-736	167	2	87-64-003	191	1
87-50-042	169	1	87-50-737	167	1	87-64-004	7	2
87-50-043	169	1	87-50-738	167	1		31	
87-50-044	167	16	87-50-739	137	1	87-64-006	201	1
	183		87-50-740	151	1	87-64-012	89	2
	185		87-51-733-1	127	1	87-64-013L	89	1
87-50-047	167	2	87-51-734	141	1	87-64-013R	89	1
87-50-048	167	2	87-51-734-3	141	2	87-64-013-3	89	2
87-50-068	163	1	87-51-735	141	2	87-64-014L	89	1
87-50-071	167	4	87-51-759	127	1	87-64-014R	89	1
	169		87-51-760	127	1	87-64-014-3L	39	1
87-50-071	183	1	87-51-762	131	2	87-64-014-3R	89	1
87-50-072L	167	3	87-51-764	127	1	87-64-015	201	1
	183		87-51-765	127	2	87-64-016	201	1
	167		87-51-767	131	2	87-64-017	197	4
87-50-072R	183	5	87-51-768	127	1		197	4
	183		87-51-770L	131	1	87-64-020	203	1
87-50-502	161	2	87-51-770R	131	1	87-64-021	203	1
	167		87-51-946	155	1	87-64-022	28	4
	169		87-51-947	155	1	87-64-023-1	191	2
87-50-507-50	161	1	87-52-506	155	1	87-64-024	33	1
87-50-521	163	1	87-52-508	153	1	87-64-024-1	33	1
	165		87-52-514	149	1	87-64-025	31	2
	169		87-52-516	149	1	87-64-025-1	31	2
87-50-525L	135	1	87-52-517	153	2	87-64-025-2	191	2
87-50-525R	135	1		157		87-64-027-1	29	2
87-50-527-50	169	1	87-52-520	149	1	87-64-030L	28	1
87-50-533L	81	1	87-52-541	153	1	87-64-030R	28	1
87-50-533R	81	1	87-52-543	153	1	87-64-032	28	1
87-50-549	167	2	87-52-543-1	151	1	87-64-033-1L	28	1
87-50-703	161	1	87-52-546	153	1	87-64-033-1R	28	1
	167		87-52-547	153	1	87-64-034-10L	28	1
	169		87-52-554-3	153	1			

RESTRICTED

295

RESTRICTED

SECTION III—NUMERICAL PARTS LIST

PART NUMBER	GROUP LIST PAGE NUMBERS	TOTAL QUANTITY	PART NUMBER	GROUP LIST PAGE NUMBERS	TOTAL QUANTITY	PART NUMBER	GROUP LIST PAGE NUMBERS	TOTAL QUANTITY
87-64-034-10R	28	1	87-66-082-6	257	2	87-67-844-3	275	1
87-64-036	191	1		259		87-67-844-10	275	1
87-64-037	191	1	87-66-254	15	1	87-67-853	275	1
87-64-040	31	2	87-66-300-33	253		87-67-853-1	275	1
87-64-041L	29	1		16		87-67-853-3	275	1
87-64-041R	29	1	87-66-300-101	253		87-67-854L	275	1
87-64-044L	28	1	87-66-300-102	253		87-67-854R	275	1
87-64-044R	28	1	87-66-306-1	255	1	87-67-873	91	1
87-64-048-1	191	1	87-66-306-2	255	1	87-69-090	221	1
87-64-048-2	191	1	87-66-307	257	1	87-69-514	19	2
87-64-051	193	4	87-66-502-33	253		87-69-515	17	2
87-64-052-15	203	1		15		87-69-516L	19	1
87-64-052-18	203	1	87-66-502-100	253		87-69-516R	19	1
87-64-055	7	1	87-66-502-101	253		87-69-532	213	2
87-64-057	33	1	87-66-531	17	1	87-69-532-1	213	2
87-64-058	33	1	87-66-532	17		87-69-533	213	6
87-64-061	95	1	87-66-534L	17	1	87-69-533	214	6
87-64-062-11/16	28	8	87-66-534R	17	1	87-69-537	217	6
87-64-087	203	1	87-66-544-6	263	2	87-69-537-1	217	2
87-64-509	199	1	87-66-559-1	255	1	87-69-540L	219	3
87-64-510	209	1	87-66-559-2	255	1	87-69-540R	219	3
87-64-512	203	1	87-66-578	257	1	87-69-541	219	12
87-64-514L	193	2	87-66-589	255		87-69-543L	19	1
	197		87-66-589-20	255		87-69-543R	19	1
87-64-514R	193	2	87-66-606-2	261	2	87-69-545	219	12
	197			263		87-69-546	219	2
87-64-541	201	1	87-66-646-10	255	1	87-69-547	217	6
87-64-546L	27	1	87-66-730	255	1		219	
87-64-546R	27	1	87-66-757	144	4	87-69-548	217	4
87-64-572	199	1	87-66-759	15		87-69-550L	213	2
87-64-574	201	2	87-66-761	17	1		214	
87-64-575	201	1	87-66-765	17	2	87-69-550R	213	2
87-64-576	201	1	87-66-766	17	1		214	
87-64-902	191	1	87-66-767	184	2	87-69-553	217	4
	193		87-66-769	184	2		219	
	195		87-66-777	81	1	87-69-560	217	12
	197			267			219	
	199		87-66-787	257	1	87-69-561	219	24
	201		87-66-792	255	1	87-69-562	215	6
			87-66-793	255	1	87-69-563	215	12
87-64-911	27	2	87-66-795	37	1	87-69-608	219	1
87-64-912-1	203	1	87-66-799	257	1	87-69-609	219	1
87-64-913	203	2	87-66-799-10	257	1	87-69-612	221	1
87-65-503	277	1	87-66-873	255	1	87-69-613	223	1
87-65-503-1	277	1	87-66-874	255	2	87-69-614	223	1
87-65-503-2	277	1		257		87-69-615	219	1
87-65-503-10	277	2	87-66-877	267	1	87-69-618	219	2
87-65-504	277	1	87-66-880	255		87-69-621	223	1
87-65-504-1	277	1	87-66-880-50	255		87-69-701L	213	1
87-65-505	277	1	87-66-880-100	255			215	
87-65-514	277	1	87-66-883	255			217	
87-65-524	277	1	87-66-883-20	255		87-69-701R	213	1
87-65-526	277	1	87-66-890	267	1		215	
87-65-528	277	1	87-66-909	17	2		217	
87-65-533	277	1	87-66-981	257	1	87-69-704L	19	1
87-65-534	277	1	87-66-995	261	1	87-69-704R	19	1
87-65-535	277	1	87-67-528L	13	1	87-69-705	19	2
87-65-536-1	277	1	87-67-528R	13	1	87-69-706L	214	1
87-65-536-2	277	1	87-67-714	275	1	87-69-706R	214	1
87-65-537	277	1	87-67-714-1	275	1	87-69-709L	214	1
87-65-552	277	1	87-67-714-3	275	1	87-69-709R	214	1
87-66-040	253	1	87-67-840	275	1	87-69-710L	213	1
			87-67-843-10L	275	1	87-69-710R	213	1
			87-67-843-10R	275	1	87-69-710-14L	213	1
			87-67-844-1	275	1	87-69-710-14R	213	1

RESTRICTED

SECTION III—NUMERICAL PARTS LIST

PART NUMBER	GROUP LIST PAGE NUMBERS	TOTAL QUANTITY	PART NUMBER	GROUP LIST PAGE NUMBERS	TOTAL QUANTITY	PART NUMBER	GROUP LIST PAGE NUMBERS	TOTAL QUANTITY
87-69-711L	214	1	87-69-926-1	217	12	87-70-040	225	3
87-69-711R	214	1	87-69-926-2	217	12		229	
87-69-723	213	2	87-69-927	217	6		232	
87-69-735	219	6	87-69-928L	217	1	87-70-049	227	1
87-69-746-1L	217	1	87-69-928R	217	1	87-70-050	227	1
87-69-746-1R	217	1	87-69-929L	217	3	87-70-052	225	6
87-69-746-4L	219	1	87-69-929R	217	3	87-70-500	223	1
87-69-746-4R	219	1	87-69-930L	217	3		225	
87-69-756	221	1	87-69-930R	217	3		227	
87-69-762	217	6	87-69-931	217	6	87-70-501	227	
87-69-763	215	18	87-69-932L	217	3	87-70-501L	227	1
87-69-764	215	6	87-69-932R	217	3	87-70-501R	227	1
87-69-770	215	2	87-69-935L	217	1	87-70-513	227	1
87-69-771	215	2	87-69-935R	217	1	87-70-515	227	1
87-69-772	215	2	87-69-936L	217	2	87-70-520L	227	3
87-69-798	215	6	87-69-936R	217	2	87-70-520R	227	3
87-69-799	215	6	87-69-938	219	6	87-70-523	227	1
87-69-803L	213	1	87-69-939	221	1	87-70-524	227	1
	215		87-69-941	221	1	87-70-525-1	227	1
	217		87-69-942-1	221	1	87-70-525-2	227	1
87-69-803R	213	2	87-69-942-2	221	1	87-70-525-3	227	1
	214		87-69-949	221	1	87-70-527	225	2
	215		87-69-951	221	1	87-70-531	225	1
87-69-803-1L	213	1	87-69-952	219	1	87-70-532	225	1
87-69-803-1R	213	1	87-69-953	221	1	87-70-533	225	1
87-69-803-2L	214	1	87-69-954	219	1	87-70-534	225	1
87-69-803-2R	214	1	87-69-955	219	2	87-70-534-2	225	1
87-69-803-3L	214	1	87-69-957	221	1	87-70-535	225	2
87-69-822	213	4	87-69-958	221	1	87-70-536	225	2
87-69-901L	214	1	87-69-961	221	1	87-70-537	225	1
87-69-901R	214	1	87-69-962	221	1	87-70-538	227	1
87-69-901-9L	214	1	87-69-963	221	1	87-70-543L	14	1
87-69-901-9R	214	1	87-69-964	219	1	87-70-544	227	1
87-69-902L	214	1	87-69-966-50	219		87-70-548-62	227	4
87-69-902R	214	1	87-69-966-60	219		87-70-549R	14	1
87-69-902-10L	214	1	87-69-968	223	1	87-70-550L	229	2
87-69-902-10R	214	1	87-69-969	223	1		232	
87-69-903L	213	2	87-69-970	223	1	87-70-550R	229	2
	214		87-69-970-2	223	1		232	
87-69-903R	213	2	87-69-975	223	2	87-70-554	223	2
	214		87-69-976L	223	1	87-70-559	237	1
87-69-903-9L	213	2	87-69-976R	223	1	87-70-560	237	1
	214		87-69-977	223	1	87-70-560-1	237	1
87-69-903-9R	213	2	87-69-979	223	1	87-70-560-2	237	1
	214		87-69-981	223	1	87-70-561	237	1
87-69-904L	213	2	87-69-997L	214	2	87-70-564	237	1
	214		87-69-997R	214	2	87-70-567	237	1
87-69-904R	213	2	87-69-998	223	1	87-70-912	239	4
	214		87-70-011	223	1	87-70-914	239	4
87-69-904-9L	214	3	87-70-013	223	1	87-71-528	281	1
87-69-904-9R	214	3	87-70-014	223	1	87-71-531	281	1
87-69-911	215	2	87-70-015	223	1	87-71-535	281	1
87-69-912	215	2	87-70-016	223	1	87-81-016-1	251	1
87-69-913	215	2	87-70-018	227	12	87-81-016-2	251	1
87-69-917L	217	2	87-70-019	227	12	87-81-016-50L	251	1
87-69-917R	217	4	87-70-022-24 1/4	225	1	87-81-016-50R	251	1
87-69-918L	219	1	87-70-022-24 3/4	225	1	87-81-022	253	2
87-69-918R	219	1	87-70-026-11			87-81-023	253	2
87-69-920	215	6	1/4 R	225	2	87-81-024	253	2
87-69-921	215	2	87-70-026-19			87-81-026	253	1
87-69-922	215	2	1/8R	225	2	87-81-029L	251	1
87-69-923	215	2	87-70-027	225	5	87-81-029R	251	1
87-69-925	217	24		229		87-81-501-5	251	1
				232		87-81-501-10	251	1
						87-81-515-1L	21	2

RESTRICTED

297

RESTRICTED

SECTION III—NUMERICAL PARTS LIST

PART NUMBER	GROUP LIST PAGE NUMBERS	TOTAL QUANTITY	PART NUMBER	GROUP LIST PAGE NUMBERS	TOTAL QUANTITY	PART NUMBER	GROUP LIST PAGE NUMBERS	TOTAL QUANTITY
87-81-515-1R	21	2	87-210-1001	143		87-210-1502	81	
87-81-515-5L	21	1	87-210-1001-100	55			83	1
87-81-515-5R	21	1		59			89	
87-81-518	21	2		77			91	
87-81-519	253	1		93			93	
87-81-519-1	253	1	87-210-1001-150	143		87-215-1001	275	
87-81-520	253	1	87-210-1001-200	55		87-215-1003	277	1
87-81-521	253	1		59		87-215-1004	275	1
87-81-522L	253	1		77		87-215-1007	277	2
87-81-522R	253	1		93		87-215-1010	275	1
87-81-528	21	2	87-210-1002	81		87-215-1011	275	1
87-81-530-1 1/2				83	1	87-250-1001	61	1
-14	23	2		89		87-250-1001-100	63	1
87-81-530-1 1/2				91		87-250-1009	61	2
-27	23	2		93			63	
87-81-530-1 1/2			87-210-1002-100	91		87-250-1010	61	2
-33	251	1		93			275	
87-81-530-2 1/2			87-210-1002-200	91		87-251-1001	65	1
-14	251	2		93			67	
87-81-530-3 1/2			87-210-1034L	89	1	87-251-1001-1L	67	1
-3	131	2	87-210-1034R	89	1	87-251-1001-1R	67	1
87-81-530-3 1/2			87-210-1051	77	1	87-251-1001-7	69	1
-23	141	2	87-210-1052L	77	1	87-251-1001-8L	67	1
87-81-533L	21	2	87-210-1052R	77	1	87-251-1001-8R	67	1
87-81-533R	21	2	87-210-1053	77	1	87-251-1001-9L	67	1
87-81-540	21	2	87-210-1054L	77	1	87-251-1001-9R	67	1
87-81-550-1 1/2			87-210-1054R	77	1	87-251-1001-10	69	1
-35	251	1	87-210-1055	77	1	87-251-1001-11	69	
87-81-701	251	1	87-210-1056	77	1	87-251-1001-12L	69	1
87-81-712	251	1	87-210-1057L	77	1	87-251-1001-12R	69	1
87-81-715	253	3	87-210-1057R	77	1	87-251-1001-13	67	1
87-81-717	23	2	87-210-1058L	77	1	87-251-1001-14L	67	1
87-81-902-1	251	1	87-210-1058R	77	1	87-251-1001-14R	67	1
87-81-925	21	4	87-210-1059L	77	1	87-251-1009L	69	1
87-81-932	251	4	87-210-1059R	77	1	87-251-1009R	69	1
87-81-933	251	1	87-210-1061L	77	1	87-251-1010L	67	1
87-81-934	251	1	87-210-1061R	77	1	87-251-1010R	67	1
87-81-935	251	1	87-210-1062-1	77	1	87-251-1013L	67	1
87-81-936	251	1	87-210-1101	81	1	87-251-1013R	67	1
87-81-937-1			87-210-1106	89	1	87-251-1014L	67	1
1/2-35	251	1	87-210-1106-1	89	1	87-251-1014R	67	1
87-83-502-3	243	1	87-210-1106-2	89	1	87-251-1015L	67	1
87-83-507-1	243	1	87-210-1106-8	89	1	87-251-1015R	67	1
87-83-507-20	243	1	87-210-1107	89	1	87-251-1016L	69	1
87-83-507-21	243	1	87-210-1107-1	89	1	87-251-1016R	69	1
87-83-507-23	243	1	87-210-1107-2	89	1	87-251-1017L	73	1
87-83-507-25	243	1	87-210-1107-8	89	1	87-251-1017R	73	1
87-83-508	243	1	87-210-1108	89	1	87-251-1018L	73	1
87-83-533	247	1	87-210-1108-1	89	1	87-251-1018R	73	1
			87-210-1108-2	89	1	87-251-1018-1	70	1
87-83-570-13	245	1	87-210-1108-11L	91	1	87-290-1001	37	1
87-83-570-15	245	1	87-210-1108-11R	91	1		125	
87-83-570-21	245	1	87-210-1130L	89	1		127	
87-83-572L	245	1	87-210-1130R	89	1		129	
87-83-572R	245	1	87-210-1132-1L	89	1		131	
87-88-544	91	1	87-210-1132-1R	89	1		133	
87-88-640-10	277		87-210-1132-2L	89	1		135	
87-88-901	279		87-210-1132-2R	89	1		137	
87-210-1001	55		87-210-1401	81	1	87-290-1001-1	37	1
	59		87-210-1501	55			125	
	77			59			127	
	93			75			129	
				93			131	
				143			133	

RESTRICTED

SECTION III—NUMERICAL PARTS LIST

PART NUMBER	GROUP LIST PAGE NUMBERS	TOTAL QUANTITY	PART NUMBER	GROUP LIST PAGE NUMBERS	TOTAL QUANTITY	PART NUMBER	GROUP LIST PAGE NUMBERS	TOTAL QUANTITY
87-290-1001-1	135		87-420-1006	175	1	87-430-1013	187	1
	137			177		87-430-1014	187	1
87-290-1001-2	37	1	87-420-1013-1	175	1	87-430-1015	189	1
	125		87-420-1014	173	1	87-430-1017	187	2
	127		87-420-1018	179	1	87-430-1018	187	2
	129		87-423-1000	175	2	87-430-1019	189	1
	131			179		87-431-1001	187	1
	133		87-423-1001	173	4	87-431-1001-1	187	1
	135			175		87-431-1001-2	187	1
	137			179		87-431-1001-4	187	1
87-300-1000L	161	1	87-425-1000	173	1	87-431-1001-5	187	1
	103			175		87-431-1001-6	187	1
	111		87-427-1000-1	237	1	87-431-1001-15	187	1
	101	1		239		87-431-1011	187	1
87-300-1000R	103	1	87-427-1000-2	237	1	87-431-1013	187	1
	111			239		87-431-1014	187	1
	101	1	87-427-1000-6	237	2	87-432-1000	185	1
87-300-1000-1	101	1	87-429-1000	187		87-432-1002	185	1
87-300-1000-2	101	1		185		87-432-1003	185	1
87-300-1000-3	101	1	87-429-1000-6	185	1	87-440-1000	165	
87-300-1000-4L	101	1	87-429-1000-7	185	1		167	
87-300-1000-4R	101	1	87-429-1000-10	185	1		169	
87-310-1015	101	1	87-429-1000-11	185	1	87-440-1000-7	165	1
87-311-1000L	101	2	87-429-1000-35	185	1	87-440-1000-9	165	1
	105		87-429-1000-47	185	1	87-440-1000-16	167	1
	101	2	87-429-1000-60	185	1	87-440-1000-20	165	1
87-311-1000R	105		87-429-1001	159	1	87-440-1000-27	165	1
	111		87-429-1001-5	159	1	87-440-1000-37	165	1
	111	1	87-429-1001-10	161	1	87-440-1000-42	165	1
87-311-1012-1			87-429-1001-12	161	1	87-440-1000-44	165	1
87-410-1000	141	1	87-429-1001-16	159	1	87-440-1000-53	165	1
87-410-1000-10	141	1	87-429-1001-34	161	1	87-440-1000-55	167	1
87-410-1001	141	1	87-429-1001-37	161	1	87-440-1000-59	165	1
87-410-1013-2	173	1	87-429-1001-38	161	1	87-440-1011	165	2
87-410-1500	141	1	87-429-1001-39	161	1		169	
87-411-1000	141	1	87-429-1001-42	159	1	87-440-1013	169	1
87-420-1000	173	1	87-429-1001-43	159	1	87-440-1015L	165	1
	177		87-429-1001-44	161	1		167	
	179		87-429-1002	185		87-440-1015R	167	1
	173	1		187		87-440-1016	165	2
87-420-1000-46	235	2	87-429-1002-1	185	1		167	
87-420-1001	235	1	87-429-1002-6	185	1		169	
87-420-1004L	235	1	87-429-1002-10	185	1	87-440-1017	167	1
87-420-1004R	235	1	87-429-1002-11	185	1	87-440-1018	165	1
87-420-1004-2L	235	1	87-429-1002-35	185	1	87-460-1000	177	
87-420-1004-2R	235	1	87-429-1002-47	185	1	87-450-1012	189	1
87-420-1004-3L	235	1	87-429-1002-60	185	1	87-450-1013L	141	1
87-420-1004-3R	235	1	87-429-1002-100	185		87-450-1013R	141	1
87-420-1004-4L	235	1		187		87-460-1000	149	
87-420-1004-4R	235	1	87-429-1015	185	1		151	
87-420-1004-5L	235	1	87-429-1016	185	1	87-460-1000-43	185	2
87-420-1004-5R	235	1	87-429-1017	185	1	87-460-1001	149	
87-420-1004-6	235	8	87-429-1018-1	185	1	87-460-1002	155	
87-420-1004-12L	235	1	87-429-1020	187	4	87-460-1011	155	1
87-420-1004-14R	235	1	87-430-1000	185	2	87-460-1012	155	1
	235	4		187		87-460-1014	155	1
87-420-1004-15	235	4	87-430-1000-1	187	1	87-460-1015	155	1
87-420-1004-16	235	4	87-430-1000-2	189	1	87-460-1016	155	1
87-420-1004-17	235	4	87-430-1000-7	189	1	87-460-1020	129	1
87-420-1004-19L	235	1	87-430-1000-8	189	1	87-460-1022	155	1
87-420-1004-19R	235	1	87-430-1000-11L	189	1	87-460-1023	155	1
87-420-1004-23L	235	1	87-430-1000-11R	189	1	87-460-1024	155	1
87-420-1004-24R	235	1	87-430-1000-12L	189	1	87-460-1026	157	1
87-420-1004-34	235	2	87-430-1000-12R	189	1	87-460-1027	157	1
			87-430-1011	187	1	87-460-1028	157	1

RESTRICTED

299

RESTRICTED

SECTION III—NUMERICAL PARTS LIST

PART NUMBER	GROUP LIST PAGE NUMBERS	TOTAL QUANTITY	PART NUMBER	GROUP LIST PAGE NUMBERS	TOTAL QUANTITY	PART NUMBER	GROUP LIST PAGE NUMBERS	TOTAL QUANTITY
87-460-1029-1	129	1	87-552-1021-15	265	3	87-554-1415	263	1
87-460-1030	129	2	87-552-1021-25	265	1	87-554-1415-1	263	1
87-460-1031	151	1	87-552-1021-35	265	1	87-554-1415-3	263	2
87-460-1032	155	1	87-552-1030	257	1	87-554-1420	263	2
87-460-1033	129	1	87-552-1030-10	257	1		257	
87-460-1034	129	1	87-552-1030-20	257	1	87-554-1421	263	1
87-460-1036	151	1	87-552-1030-30	257	1	87-554-1421-1	263	1
87-460-1037	155	1	87-552-1030-40	257	1	87-554-1422	263	1
87-460-1039	157	1	87-552-1040	269	1	87-554-1425	269	2
87-500-1000	279		87-552-1040-20	269	1	87-554-1426	269	2
87-500-1000-20	279		87-552-1041	269	1	87-558-1000	253	1
87-500-1000-50	279		87-552-1041-20	269	1	87-558-1000-1	253	
87-500-1014	277	1	87-552-1042	269	1	87-558-1000-2	253	
87-500-1500	277		87-552-1051	265	1	87-558-1400	253	
87-511-1000	271	1	87-552-1051-3	265	1	87-558-1400-1	253	
87-511-1010	281		87-552-1051-20	265	1	87-558-1400-2	253	
87-511-1010-2	281	1	87-552-1052	265	1	87-561-1001	279	
87-511-1010-3	281	1	87-552-1061	269	2	87-561-1004	277	1
87-511-1010-4	281	1	87-552-1062	269	1	87-561-1016	277	2
87-511-1010-5	281	1	87-552-1067	263	1	87-572-1011	207	1
87-511-1011	271	1	87-552-1068	261	1	87-580-1000	251	1
87-511-1100-40	271	1	87-552-1068-1	263	1	87-580-1011	253	1
87-511-1100-50	271	1	87-552-1068-10	261	1	87-580-1011-1	253	1
87-511-1111	271	1	87-552-1069	261	1	87-580-1100	251	1
87-550-1020-10	257	1	87-552-1069-10	261	1	87-580-1100-5	251	1
87-550-1020-30	259	1	87-552-1070	257	1	87-590-1000	121	1
87-550-1020-40	259	1		261			123	
87-552-1000	257		87-552-1070-10	257	1	87-590-1000-1	121	1
	259			261		87-590-1000-2L	123	
	261		87-552-1100	257		87-590-1000-2R	123	
87-552-1000-10	257			259		87-590-1000-4L	121	1
	261			261		87-590-1000-4R	121	1
	269		87-552-1100-52	257		87-590-1000-12L	121	1
	261		87-552-1100-50	259		87-590-1000-12R	121	1
87-552-1000-50	257			261		87-621-1028	253	
	269		87-552-1200	257		87-621-1028-15	253	1
	261			259		87-640-1000	281	1
87-552-1010	257	1	87-552-1400-2	261		87-640-1000-1	281	1
	265			257		87-640-1000-2	281	1
87-552-1010-30	257	1	87-552-1410	261	1	87-640-1013	281	1
	265		87-552-1415	259	1	87-640-1014	281	1
87-552-1010-40	257	1	87-552-1430	267	1	87-640-1015	281	1
	265			257	1	87-640-1016	281	1
87-552-1010-50	257	1	87-552-1431	261	1	87-640-1017	281	1
	265		87-552-1431-1	261	1	87-640-1017-1	281	1
87-552-1010-60	257	1	87-552-1432	261	1	87-640-1017-2	281	1
	265		87-552-1434	261	1	87-670-1000-34	247	2
87-552-1011	257	2	87-554-1000	257	1	87-670-1000-38	247	1
	259		87-554-1020	141	1	87-670-1000-40	247	1
87-552-1011-1	259	1	87-554-1021	141	1	87-670-1002	247	1
87-552-1011-20	257	1	87-554-1022	141	1	87-670-1002-1	247	1
	259		87-554-1023	141	1	87-670-1002-3	249	1
87-552-1011-21	259	1	87-554-1024	144	2	87-670-1002-5	249	1
87-552-1011-30	257	1	87-554-1100	257		87-670-1002-7	249	1
	259		87-554-1400-2	257		87-670-1002-9	249	1
87-552-1011-31	259	1		263	1	87-670-1002-11	249	1
	259		87-554-1400-4	263	1	87-670-1002-13	249	1
87-552-1012	259	1		257		87-670-1002-15	247	1
87-552-1012-5	259	1	87-554-1401	267		87-670-1002-17	247	1
87-552-1012-10	259	1	87-554-1411	267		87-670-1002-19	249	1
87-552-1020	259	1	87-554-1412	267	1	87-670-1002-21	249	1
87-552-1020-20	259	1	87-554-1412-10	267		87-670-1002-23	249	1
87-552-1020-30	259	1	87-554-1413	269	1	87-670-1002-25	247	1
87-552-1021-2	265	1	87-554-1414	269	1	87-670-1002-27	249	1
						87-670-1003	247	1

RESTRICTED

SECTION III—NUMERICAL PARTS LIST

PART NUMBER	GROUP LIST PAGE NUMBERS	TOTAL QUANTITY	PART NUMBER	GROUP LIST PAGE NUMBERS	TOTAL QUANTITY	PART NUMBER	GROUP LIST PAGE NUMBERS	TOTAL QUANTITY
87-670-1004	247	1	87-681-1057-2	233	2	87-730-1020-1	134	1
87-681-1020	232	4	87-681-1063	232	14	87-730-1020-12	134	1
	229			229		87-730-1021	134	1
87-681-1021	232	4	87-681-1064L	233	2	87-730-1028	131	1
	229		87-681-1064R	233	2	87-730-1030	131	1
87-681-1028	233	2	87-690-1012	215	7	87-730-1031	131	1
	233	1		223		87-730-1033-1	131	1
87-681-1031-1-15	232	1	87-690-1012-1	215	6	87-730-1034	131	1
87-681-1031-1-40	232	1	87-694-1013	221	2	87-960-1040	149	1
87-681-1031-1-60	232	2	87-694-1014	219	1	87-999-10	161	1
	229		87-694-1016	221	1	87-999-10	207	2
87-681-1031-1-90	232	2	87-710-1000	143	1	94-27335-A	271	1
	229		87-710-1010L	144	1	94-27337	271	1
87-681-1031-1			87-710-1010R	144	1	94-27353	271	1
-38.20	232	1	87-710-1011	144	4	94-27807	269	2
87-681-1031-2			87-710-1012	145	4		271	
-127	237	1	87-710-1013	145	8	94-27943-A	271	1
87-681-1031-3			87-710-1014	145	4	94-27970-A	271	1
-30.20	229	1	87-730-1000-2	129		94-32158	17	1
87-681-1031-3-31	232	1	87-730-1001	125	1	94-40355	247	2
	229			127				
87-681-1031-3-40	232	2		129		TYPE A-1	245	1
	229			131		TYPE A-3	249	1
87-681-1031-3-49	232	4		133		TYPE A-8	267	1
	229			135		TYPE A-9A	243	1
87-681-1031-3			87-730-1001-1	137		TYPE A-12	245	3
-30.20	232	1		125	1		247	
87-681-1031-3				127			249	
-67	229	1		129		TYPE B-4	255	2
87-681-1031				131			263	
-4-127	237	1		133		TYPE B-8	263	1
87-681-1031-6				135		TYPE C-1	355	
-12.10	232	1	87-730-1001-2	137			259	2
87-681-1031-6				125	1	TYPE F-1	265	
-58.10	232	2		127			243	2
	229			131		TYPE G-1	267	
87-681-1031-6				133			245	2
-88.10	229	2		135		TYPE G-6	349	
	232			137			255	2
87-681-1031-8			87-730-1010	139	1		287	
-39.20	232	2	87-730-1010-1L	139	1	TYPE K-1	245	3
	229		87-730-1010-1R	139	1		247	
87-681-1031-8			87-730-1010-2	141	1		249	
-48.20	232	2	87-730-1010-5	139	1	TYPE MW-2	267	1
	229		87-730-1010-6	139	1	TYPE M-2	255	2
87-681-1031-8			87-730-1010-10	139	1		257	
-66.20	229	1	87-730-1011L	137		TYPE O-1C	267	2
87-681-1033L	232	2	87-730-1011R	137	1	TYPE 2	243	1
	229		87-730-1012	137	1	TYPE 3	247	
87-681-1033R	232	2	87-730-1012-7	137	1			
	229		87-730-1012-24	137	1			
87-681-1038-1	233	6	87-730-1012-26	137	2			
87-681-1038-2	233	6	87-730-1012-45	137	1			
87-681-1039	233	20	87-730-1012-46	137	1			
	235		87-730-1012-47	137	1			
87-681-1042	233	8	87-730-1013	125	1			
87-681-1044L	233	2	87-730-1013	127				
87-681-1044R	233	2	87-730-1013-105	127	1			
87-681-1046-1L	233	2	87-730-1013-193	129	1			
87-681-1046-1R	233	2	87-730-1013-194	127	1			
87-681-1046-2L	233	2	87-730-1013-195	127	1			
87-681-1046-2R	233	2	87-730-1013-206	127	1			
87-681-1057-1	233	4	87-730-1013-214	129	1			
			87-730-1014	127	1			
			87-730-1020	131	1			

RESTRICTED

301

SECTION IV

STANDARD PARTS LIST

RESTRICTED

SECTION IV—STANDARD PARTS LIST

PART NUMBER	NOMENCLATURE	TOTAL QUANTITY	ATTACH- ING QUANTITY	PART NUMBER	NOMENCLATURE	TOTAL QUANTITY	ATTACH- ING QUANTITY
A755A-8-2-8	Clamp	4		AN5-14	Bolt	3	3
A755A-10-2-8	Clamp	1		AN5-14A	Bolt	3	3
A755A-14-2-8	Clamp	1		AN5-15	Bolt	2	2
A755A-16-2-8	Clamp	1		AN5-16A	Bolt	4	4
A755A-28-2-8	Clamp	4		AN5-17	Bolt	2	2
A86JCN6D16	Block	1		AN5-20	Bolt	8	8
AN3-4	Bolt	34	34	AN5-21	Bolt	1	1
AN3-4A	Bolt	14	14	AN5-21A	Bolt	1	1
AN3-5	Bolt	110	110	AN5-22	Bolt	2	2
AN3-5A	Bolt	31	27	AN5-27	Bolt	5	5
AN3-6	Bolt	19	19	AN5DD-35A	Bolt	1	1
AN3-6A	Bolt	8	8	AN6-11	Bolt	12	12
AN3-7	Bolt	4	2	AN6-11A	Bolt	8	8
AN3-7A	Bolt	12	12	AN6-12	Bolt	2	2
AN3-10	Bolt	10	4	AN6-12A	Bolt	2	2
AN3-10A	Bolt	13	5	AN6-13	Bolt	12	12
AN3-11	Bolt	15	14	AN6-13A	Bolt	4	4
AN3-11A	Bolt	5	5	AN6-14	Bolt	7	7
AN3-12	Bolt	1	1	AN6-14A	Bolt	4	4
AN3-12A	Bolt	4	4	AN6-15	Bolt	1	1
AN3-14	Bolt	2	2	AN6-15A	Bolt	3	3
AN3-14A	Bolt	3		AN6-16	Bolt	8	8
AN3-15	Bolt	1	1	AN6-16A	Bolt	8	8
AN3-16	Bolt	1		AN6-17A	Bolt	2	2
AN3-16A	Bolt	12	12	AN6-20	Bolt	2	2
AN3-21A	Bolt	4	4	AN6-23A	Bolt	2	2
AN3-25	Bolt	2	2	AN6-25	Bolt	4	4
AN3-44	Bolt	8	8	AN6-26	Bolt	2	2
AN3DD-6A	Bolt	2	2	AN6-27A	Bolt	3	3
AN3DD-10A	Bolt	1	1	AN7-12A	Bolt	6	6
AN4-4	Bolt	2	2	AN7-14	Bolt	1	1
AN4-5	Bolt	4	4	AN7-15A	Bolt	2	2
AN4-5A	Bolt	2	2	AN7-20	Bolt	1	1
AN4-6	Bolt	2	2	AN7-24	Bolt	2	2
AN4-6A	Bolt	22	22	AN7-26	Bolt	2	2
AN4-7	Bolt	38	38	AN7-27	Bolt	4	4
AN4-7A	Bolt	22	22	AN10-24	Bolt	1	1
AN4-10	Bolt	6	6	AN23-8	Bolt	32	32
AN4-10A	Bolt	20	20	AN23-8A	Bolt	2	2
AN4-11	Bolt	5		AN23-9	Bolt	34	34
AN4-11A	Bolt	65	65	AN23-9A	Bolt	1	1
AN4-12	Bolt	11	11	AN23-10	Bolt	35	35
AN4-13	Bolt	18	18	AN23-10A	Bolt	4	4
AN4-13A	Bolt	2	2	AN23-11	Bolt	6	5
AN4-14	Bolt	4		AN23-11A	Bolt	12	12
AN4-14A	Bolt	18	18	AN23-12	Bolt	8	7
AN4-15	Bolt	2	2	AN23-12A	Bolt	2	2
AN4-15A	Bolt	2	2	AN23-14	Bolt	10	10
AN4-16A	Bolt	1	1	AN23-15	Bolt	11	10
AN4-17	Bolt	6	6	AN23-15A	Bolt	3	
AN4-20	Bolt	5	2	AN23-16	Bolt	1	1
AN4-22	Bolt	10	10	AN23-17A	Bolt	9	7
AN4-23	Bolt	2	2	AN23-18	Bolt	3	3
AN4-25	Bolt	8	8	AN23-18	Bolt	2	2
AN4-27A	Bolt	2	2	AN23-19	Bolt	2	2
AN4-40	Bolt	2	2	AN23-20	Bolt	4	4
AN4-41A	Bolt	4	4	AN23-21	Bolt	4	4
AN4-54	Bolt	2	2	AN23-21A	Bolt	4	
AN5-6	Bolt	6	6	AN23-23	Bolt	3	3
AN5-6A	Bolt	19	19	AN23-23A	Bolt	2	
AN5-10	Bolt	10	10	AN23-26	Bolt	5	4
AN5-10A	Bolt	27	27	AN23-27	Bolt	1	1
AN5-11	Bolt	1	1	AN23-30	Bolt	1	1
AN5-11A	Bolt	12	12	AN23-36	Bolt	2	2
AN5-12A	Bolt	12	12	AN24-8	Bolt	8	8
				AN24-9	Bolt	5	5
				AN24-9A	Bolt	6	6

RESTRICTED

RESTRICTED

SECTION IV—STANDARD PARTS LIST

PART NUMBER	NOMENCLATURE	TOTAL QUANTITY	ATTACHING QUANTITY	PART NUMBER	NOMENCLATURE	TOTAL QUANTITY	ATTACHING QUANTITY
AN24-10	Bolt	16	16	AN200-K3L	Bearing	6	
AN24-11	Bolt	21	21	AN200-K4	Bearing	3	
AN24-12	Bolt	38	38	AN200-KS4	Bearing	2	
AN24-12A	Bolt	8	8	AN200-K5	Bearing	4	
AN24-13	Bolt	7	7	AN200-K6	Bearing	2	
AN24-14	Bolt	2	2	AN201-K4A	Bearing	14	
AN24-15	Bolt	34	23	AN201-K6A	Bearing	4	
AN24-16	Bolt	4	4	AN210-1A	Pulley	21	
AN24-16A	Bolt	2	2	AN210-2A	Pulley	26	
AN24-17	Bolt	4	4	AN210-3A	Pulley	13	
AN24-17A	Bolt	4	4	AN210-4A	Pulley	2	
AN24-18	Bolt	2	2	AN310-3	Nut	31	29
AN24-20	Bolt	3	3	AN310-4	Nut	87	78
AN24-20A	Bolt	5	5	AN310-5	Nut	44	44
AN24-21	Bolt	3	3	AN310-6	Nut	42	42
AN24-23	Bolt	8	8	AN310-7	Nut	4	4
AN24-24	Bolt	16	16	AN310-9	Nut	2	2
AN24-24A	Bolt	2	2	AN310-16	Nut	1	1
AN24-25	Bolt	1	1	AN314-20	Nut	2	2
AN24-26	Bolt	4	4	AN315-3	Nut	1	
AN24-27	Bolt	3	3	AN315-3R	Nut	10	7
AN24-29	Bolt	2	2	AN315-4R	Nut	13	13
AN24-30	Bolt	1	1	AN316-4L	Nut	2	2
AN24-31A	Bolt	2	2	AN316-4R	Nut	17	9
AN24-32A	Bolt	2	2	AN316-5R	Nut	5	2
AN24-34	Bolt	2	2	AN316-6R	Nut	4	3
AN24-40A	Bolt	4	4	AN316-7R	Nut	1	1
AN24-44	Bolt	4	4	AN316-8R	Nut	4	4
AN24-48	Bolt	2	2	AN316-9R	Nut	2	2
AN24-62	Bolt	5	5	AN316-12R	Nut	1	1
AN24-66	Bolt	2	2	AN320-3	Nut	33	31
AN24-72	Bolt	2	2	AN320-4	Nut	149	137
AN25-9	Bolt	36	36	AN320-5	Nut	11	11
AN25-13	Bolt	2	2	AN320-6	Nut	11	11
AN25-15A	Bolt	15	15	AN320-7	Nut	7	7
AN25-17	Bolt	1	1	AN320-8	Nut	27	27
AN25-17A	Bolt	6	6	AN320-9	Nut	3	3
AN25-23	Bolt	2	2	AN320-10	Nut	13	13
AN25-24	Bolt	2	2	AN320-12	Nut	4	4
AN25-32	Bolt	4	4	AN340-6	Nut	18	18
AN25-34	Bolt	1	1	AN340-8	Nut	2	1
AN25-36	Bolt	2	2	AN345-10	Nut	12	9
AN25-38A	Bolt	2	2	AN350-4	Wing Nut	6	6
AN26-16	Bolt	6	6	AN380-2-2	Cotter Pin	31	27
AN26-20	Bolt	2	2	AN380-2-3	Cotter Pin	18	18
AN26-54	Bolt	1	1	AN380-C2-2	Cotter Pin	320	270
AN26-56	Bolt	1	1	AN380-C2-3	Cotter Pin	19	14
AN27-27	Bolt	1	1	AN380-C2-4	Cotter Pin	22	14
AN27-44	Bolt	3	3	AN380-3-3	Cotter Pin	2	2
AN27-46	Bolt	3	3	AN380-C3-2	Cotter Pin	3	3
AN28-54	Bolt	6	6	AN380-C3-3	Cotter Pin	61	61
AN42-4	Bolt	2	2	AN380-C3-4	Cotter Pin	32	32
AN45-5	Bolt	8	8	AN380-4-8	Cotter Pin	1	1
AN73-5	Bolt	4	4	AN380-C4-4	Cotter Pin	17	17
AN74-5A	Bolt	1	1	AN380-C4-5	Cotter Pin	1	1
AN74-6	Bolt	8	8	AN380-C4-6	Cotter Pin	4	4
AN74-7	Bolt	4	4	AN380-C4-7	Cotter Pin	1	1
AN155-16S	Barrel	1	1	AN380-C5-10	Cotter Pin	1	1
AN155-32L	Barrel	2	2	AN392-9	Pin	1	1
AN155-46L	Barrel	6	6	AN392-13	Pin	8	8
AN161-46L	Fork	2	2	AN392-17	Pin	7	7
AN161-46LL	Fork	4	4	AN392-19	Pin	2	2
AN165-16S	Eye	1	1	AN392-25	Pin	1	1
AN165-32L	Eye	18	18	AN392-27	Pin	2	2
AN165-32S	Eye	2	2	AN392-31	Pin	1	1
				AN393-9	Pin	1	1

RESTRICTED

305

RESTRICTED

SECTION IV—STANDARD PARTS LIST

PART NUMBER	NOMENCLATURE	TOTAL QUANTITY	ATTACH- ING QUANTITY	PART NUMBER	NOMENCLATURE	TOTAL QUANTITY	ATTACH- ING QUANTITY
AN393-11	Pin	12	12	AN526-832-8	Screw	49	49
AN393-13	Pin	2		AN526-832-10	Screw	32	23
AN393-15	Pin	4	4	AN526-832-12	Screw	9	9
AN393-17	Pin	2	2	AN526-832-14	Screw	2	2
AN393-23	Pin	2	2	AN526-832-18	Screw	2	2
AN393-29	Pin	2	2	AN526-1032-6	Screw	12	12
AN393-49	Pin	3	3	AN526-1032-7	Screw	8	8
AN393-53	Pin	4	4	AN526-1032-9	Screw	4	4
AN393-57	Pin	1	1	AN526-1032-10	Screw	277	243
AN394-33	Pin	4	4	AN526-1032-12	Screw	111	108
AN394-61	Pin	1	1	AN526-1032-54	Screw	1	1
AN395-11	Pin	1	1	AN530-6-6	Screw	6	6
AN395-19	Pin	4	4	AN530-8-10	Screw	20	20
AN395-23	Pin	4	4	AN530-10-10	Screw	8	5
AN411	Bolt	8	8	AN668-2	Terminal	4	4
AN481-3P	Clevis	4	4	AN741-D13	Clamp	1	
AN486-1	Clevis	1		AN746	Clamp	45	
AN486-4	Clevis	2	2	AN746-8	Clamp	4	
AN490-6	Rod End	1		AN771-1	Drain Cock	1	
AN502-10-10	Screw	12	12	AN771-2	Drain Cock	2	
AN502-10-12	Screw	4	4	AN809-1	Core	2	1
AN502-10-16	Screw	8	8	AN812-1	Body	2	1
AN505-P4-8	Screw	4	4	AN813-1	Cap	1	1
AN505-6-4	Screw	6	6	AN815-5D	Union	6	
AN505-6-10	Screw	2	2	AN816-5D	Nipple	3	
AN505-8-6	Screw	4	4	AN823-5D	Elbow	6	
AN505-8-8	Screw	2	2	AN824-5D	Tee	3	
AN505-8-10	Screw	6	6	AN825-5D	Tee	2	
AN510-10-8	Screw	2	2	AN840-4	Adapter	1	
AN510-10-10	Screw	6	6	AN840-6D	Adapter	1	
AN510-B10-3	Screw	6	6	AN840-16	Adapter	1	
AN510-416-14	Screw	2	2	AN842-10	Elbow	1	
AN515-6-5	Screw	12	12	AN842-12	Elbow	7	
AN515-6-7	Screw	10	10	AN844-12D	Elbow	2	
AN515-6-16	Screw	1	1	AN844-16	Elbow	1	
AN515-D6-7	Screw	2	2	AN850-12	Elbow	8	
AN515-8-7	Screw	27	27	AN895-64	Fitting	2	
AN515-8-8	Screw	20	20	AN895-100	Fitting	2	2
AN515-8-10	Screw	33	33	AN900-12	Gasket	3	
AN515-8-12	Screw	8	8	AN901-5C	Gasket	2	
AN515-8-14	Screw	9	8	AN910-10	Coupling	32	30
AN515-8-16	Screw	2	2	AN911-1	Nipple	2	
AN515-P8-8	Screw	4	4	AN911-1D	Nipple	1	
AN515-10-8	Screw	4	4	AN911-6	Nipple	1	
AN516A	Screw	1	1	AN912-10	Reducer	1	
AN520-10-4	Screw	2	2	AN917-6	Tee	2	
AN520-10-7	Screw	6	6	AN918-1	Cross	1	
AN520-10-10	Screw	30	24	AN931-4-7	Grommet	1	
AN520-10-12	Screw	17	17	AN931-5-12	Grommet	4	
AN520-10-14	Screw	9	9	AN931-12-23	Grommet	1	
AN520-10-18	Screw	8	4	AN931-16-30	Grommet	1	
AN520-10-20	Screw	4	4	AN931-24-2B	Grommet	1	
AN520-10-22	Screw	2	2	AN935-8	Lock Washer	8	8
AN520-10-24	Screw	2	2	AN935-10	Lock Washer	4	4
AN520-10-26	Screw	2	2	AN935-416	Lock Washer	6	6
AN520-D10-6	Screw	2	2	AN935-916	Lock Washer	6	6
AN520-B10-10	Screw	2	2	AN936-A4	Lock Washer	12	12
AN525-10-9	Screw	5	5	AN936-B8	Lock Washer	13	13
AN525-10-10	Screw	8	8	AN936-B10	Lock Washer	2	
AN525-10-12	Screw	1	1	AN936-C8	Lock Washer	4	4
AN525-10-18	Screw	4	4	AN940-9	Lock Washer	1	1
AN526-10-8	Screw	12	12	AN940-316	Lock Washer	3	3
AN526-428-10	Screw	2	2	AN940-416	Lock Washer	4	4
AN526-832	Screw	10	10	AN960-A4	Washer	2	2
AN526-832-6	Screw	8	8	AN960-A8	Washer	35	32
AN526-832-7	Screw	22	19	AN960-A10	Washer	10	10

RESTRICTED

RESTRICTED

SECTION IV—STANDARD PARTS LIST

PART NUMBER	NOMENCLATURE	TOTAL QUANTITY	ATTACH- ING QUANTITY	PART NUMBER	NOMENCLATURE	TOTAL QUANTITY	ATTACH- ING QUANTITY
AN960-A416L	Washer	10	10	NAS-20-10-12	Screw	23	23
AN960-C10	Washer	22	22	NAS-22-2-1.188			
AN960-C416L	Washer	1		-.219	Insulating Strip	1	
AN960-C516L	Washer	4	4	150-328	Turnbuckle	8	
AN960-D6	Washer	2	2	364-416	Nut	4	4
AN960-D8	Washer	35	32	364-428	Nut	87	87
AN960-D10	Washer	8	8	364-524	Nut	58	58
AN960-D416	Washer	146	145	364-624	Nut	66	66
AN960-D516	Washer	44	44	364-720	Nut	4	4
AN960-D616	Washer	25	25	364-1032	Nut	170	112
AN960-4	Washer	14	14	364-1216	Nut	6	6
AN960-6	Washer	23	23	365-428	Nut	246	246
AN960-8	Washer	130	130	365-440	Nut	1	
AN960-10	Washer	693	367	365-D440	Nut	4	4
AN960-10L	Washer	28	28	365-524	Nut	285	285
AN960-116	Washer	502	440	365-D524	Nut	1	1
AN960-416L	Washer	24	24	365-624	Nut	82	82
AN960-516	Washer	458	458	365-632	Nut	16	15
AN960-516L	Washer	15	15	365-720	Nut	20	20
AN960-616	Washer	142	142	365-820	Nut	4	4
AN960-716	Washer	31	31	365-832	Nut	134	119
AN960-716L	Washer	1	1	365-D832	Nut	2	2
AN960-816	Washer	26	26	365-1032	Nut	636	607
AN960-916	Washer	3	3	365-D-1032	Nut	5	5
AN960-1016	Washer	16	16	416-2	Safety Pin	6	6
AN960-1216	Washer	8	8	500-6-3	Screw	3	3
AN970-4	Washer	2	2	501-10-8	Screw	6	6
AN3057-12	Adapter	1		501-10-9	Screw	2	2
AN3060-10	Coupling	1	1	501A-10-4	Screw	6	6
AN3062-4	Coupling	1	1	501A-10-10	Screw	6	6
AN3062-10	Coupling	1	1	501AB-10-12	Screw	2	2
AN3062-12	Coupling	2	2	503-8-4	Screw	4	4
AN3064-4	Connector	5	5	503-8-8	Screw	12	12
AN3064-6	Connector	1	1	525-10-8	Screw	8	8
AN3064-12	Connector	1	1	525-10-9	Screw	11	11
AN3066-4	Nut	6	6	525-10-10	Screw	38	38
AN3066-6	Nut	1	1	525-10-11	Screw	84	84
AN3066-10	Nut	1	1	525-10-12	Screw	63	62
AN3066-12	Nut	1	1	525-10-14	Screw	24	17
AN3102-12S-3S	Receptacle	2	2	525-10-16	Screw	12	12
AN4101	Fuel Pump Type G - 9	4		525D-10-20	Screw	1	1
AN5735	Turn Indicator	1		525-416-11	Screw	40	40
AN5736	Flight Indicator	1		525-416-12	Screw	2	2
AN5760-3	Altimeter GFE	1		525-416-13	Screw	18	18
AN5770-1	Manifold Pressure Gage GFE	1		525-416-14	Screw	42	42
AN5790-6	Temperature Indicator GFE	2		525-416-16	Screw	8	8
AN5825-2	Rate & Climb Indicator	1		525-416-20	Screw	2	2
AN8005	Coupling	1	1	530-8-8	Screw	7	7
FU-39	Fuse Post	1	1	530-8-10	Screw	2	
NAF-1149-4	Coupling	1	1	530-8-12	Screw	6	6
NAF-2130-10-45	Fuse	2		530-8-16	Screw	2	
NAF-2130-11-4	Fuse Clip	2	2	530-10-8	Screw	12	12
NAS-18-A1	Connector Panel	1		530-10-10	Screw	1	1
NAS-18-A5	Connector Panel	2		565-A4-10	Screw	8	8
NAS-18-A6	Connector Panel	2		626-D-.25-1.375	Stud	1	1
NAS-18-A11	Connector Panel	2		626-D-.25-1.062	Stud	2	1
				626-D-.25-1.375	Stud	1	1
				626-D-.25-2 7/8	Stud	2	2
				659-D-2	Nut	10	
				659-D-7	Nut	2	
				659-D-15	Nut	3	
				735-8	Clamp	2	
				735-20	Clamp	2	
				811-CT-5	Elbow	5	
				811-CT-45-5	Elbow	1	
				811-ET-5	Elbow	1	

RESTRICTED

RESTRICTED

SECTION IV—STANDARD PARTS LIST

PART NUMBER	NOMENCLATURE	TOTAL QUANTITY	ATTACH- ING QUANTITY	PART NUMBER	NOMENCLATURE	TOTAL QUANTITY	ATTACH- ING QUANTITY
811-ST-5	Tee	1		1001-D-12-.870	Bushing	1	
835-4	Nipple	1		1004-D-3-1.282	Bushing	2	
835-8	Nipple	2		1004-D-10-.622	Bushing	2	
835-12	Nipple	1		1025-D-.188			
836-8	Nipple	1		--.313	Spacer	4	
836-16	Nipple	3		1025-D-.265			
836-24	Nipple	1		--.188	Spacer	2	
850-6	Elbow	2		1025-D-.3125			
850-8	Elbow	2		--.625	Spacer	2	
850-10	Elbow	1		1026-D-.313			
850-16	Elbow	1		--.281	Spacer	1	
851-4	Elbow	2		1026-D-.375			
851-8	Elbow	2		--.156	Spacer	1	
851-12	Elbow	1		1027-D-.375			
851-16	Elbow	3		--.50	Spacer	2	2
852-8	Elbow	3		1029-D-.375			
884-4-10	Hose	7		--.345	Spacer	1	
884-4-12	Hose	1		1029-E-4-4	Spacer	12	12
884-6-10	Hose	15		1029-E-6-7	Spacer	2	2
884-6-12	Hose	1		1036-D-2	Screw	1	1
884-8-9	Hose	3		1036-D-3	Screw	5	5
884-8-12	Hose	10		1041-DAV-12R	Clamp	1	
884-8-14	Hose	3		1042-DA-5	Clamp	4	
884-8-16	Hose	1		1042-DA-14	Clamp	2	
884-10-11	Hose	2		1042-DD-30	Clamp	8	
884-12-12	Hose	4		1042-DD-44	Clamp	4	
884-16-12	Hose	14		1042-DS-18	Clamp	3	
884-16-14	Hose	5		1045-D-1	Tab	1	
884-16-16	Hose	4		1060-D-1-15	Pin	6	6
884-16-20	Hose	1		1060-D-1-19	Pin	1	1
884-24-16	Hose	6		1061-D-1	Pin	4	4
884-24-18	Hose	1		1065-D-6	Clamp	2	
884-28-20	Hose	11		1065-D-8	Clamp	3	
884-32-14	Hose	1		1065-D-16	Clamp	37	
884-32-16	Hose	1		1065-D-16L	Clamp	1	
895-2	Fitting	2		1065-D-24	Clamp	2	
895-3	Fitting	2		1065-D-28	Clamp	2	
895-4	Fitting	2		1065-D-28L	Clamp	1	
895-5	Fitting	1		1065-D-80	Clamp	1	
895-14	Fitting	1		1065-D-280	Clamp	2	
895-32	Fitting	1		1065-DC-5	Clamp	37	
895-64	Fitting	2		1065-DC-28L	Clamp	1	
895-71	Fitting	1		1068-DSA-6	Cap Screw	10	10
895-B70	Fitting	2	2	1068-DSA-7	Cap Screw	10	10
901-D-5 1/4	Pin	2	2	1068-DSA-12	Cap Screw	6	
901-D-6 5/8	Pin	1		1068-DSA-52	Cap Screw	8	8
906-12	Plug	2		1075-DC-.010			
907-12	Plug	2		--.937-1.625	Washer	6	6
908-12	Plug	1		1075-DC-.051			
915-DS-00-6	Chain	1	1	--.218-.625	Washer	2	2
915-DS-0-9	Chain	1	1	1075-DD-.062			
918-D-4.937SS	Pin	2	2	--.203-.312	Washer	2	2
918-D-5.062SS	Pin			1075-DE-.064			
918-D-9.75	Pin	4	4	--.515-1.000	Washer	2	2
918-D-19-.625	Pin	6	6	1075-DG-.031			
918-D-20.5	Pin	8	8	--.187-.812	Washer	2	2
918-D-21	Pin	4	4	1075-DG-.032			
940-616	Washer	2	2	--.203-.344	Washer	8	8
1001-D-3-100	Bushing	4	4	1075-DG-.032			
1001-D-4				--.281-.500	Washer	4	4
--.1875	Bushing	1		1075-DG-.063			
1001-D-4-.250	Bushing	1		--.265-.969	Washer	2	2
1001-D-6-.495	Bushing	2		1076-DG-.062			
				--.266-.562	Washer	4	4
				1077-D-2B-1.84	Rod Assembly	1	

RESTRICTED

SECTION IV—STANDARD PARTS LIST

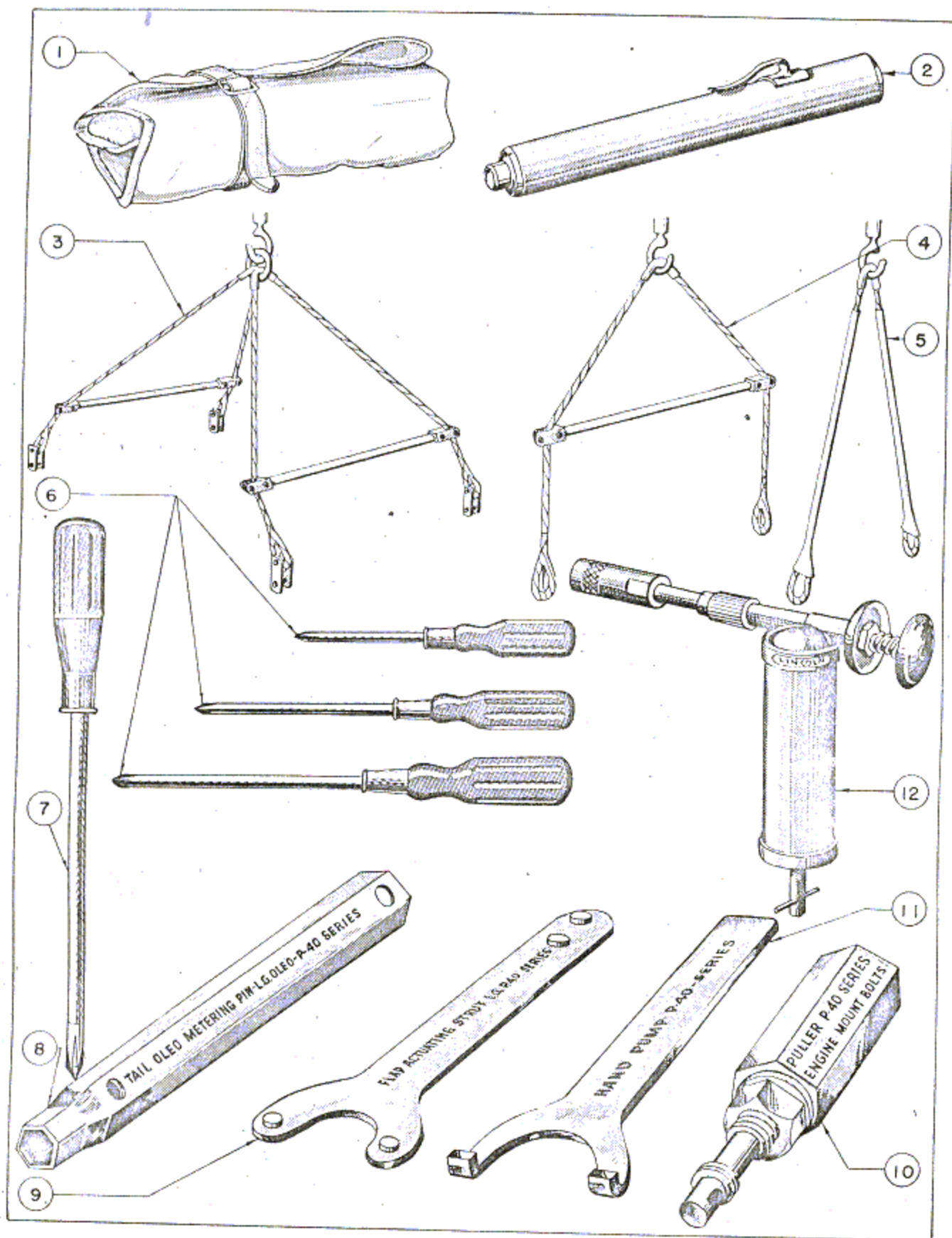
PART NUMBER	NOMENCLATURE	TOTAL QUANTITY	ATTACHING QUANTITY	PART NUMBER	NOMENCLATURE	TOTAL QUANTITY	ATTACHING QUANTITY
1080-D-C1C1 -2.644	Rod Assembly	2	2				
108C-D-C1C1 -12.5	Rod Assembly	2	2				
1081-D-23 -6.625	Rod Assembly	1	1				
1086-DSA-6	Bolt	10	10				
1092-D-6.125	Hinge	1	1				
1092-D-7.1875	Hinge	1	1				
1095-D-4	Nut	4	4				
1100-D-4	Screw	4	4				
1100-DS-5	Screw	12	12				
1100-DS-10	Screw	18	18				
1100-DS-12	Screw	13	13				
1101-DS-6	Screw	8	8				
1101-DS-7	Screw	16	16				
1101-DS-8	Screw	162	162				
1101-DS-10	Screw	58	58				
1101-DS-12	Screw	2	2				
1101-DS-14	Screw	36	36				
1103-DC-5	Bolt	4	4				
1103-DS-4A	Bolt	4	4				
1103-DS-5A	Bolt	4	4				
1103-DS-5	Bolt	15	15				
1103-DS-6	Bolt	24	20				
1103-DS-7	Bolt	3	3				
1103-DS-10	Bolt	4	4				
1104-DS-6	Bolt	2	2				
1123-D-5	Nut	24	24				
1129-D-1	Clip	4					

RESTRICTED

309

SECTION V

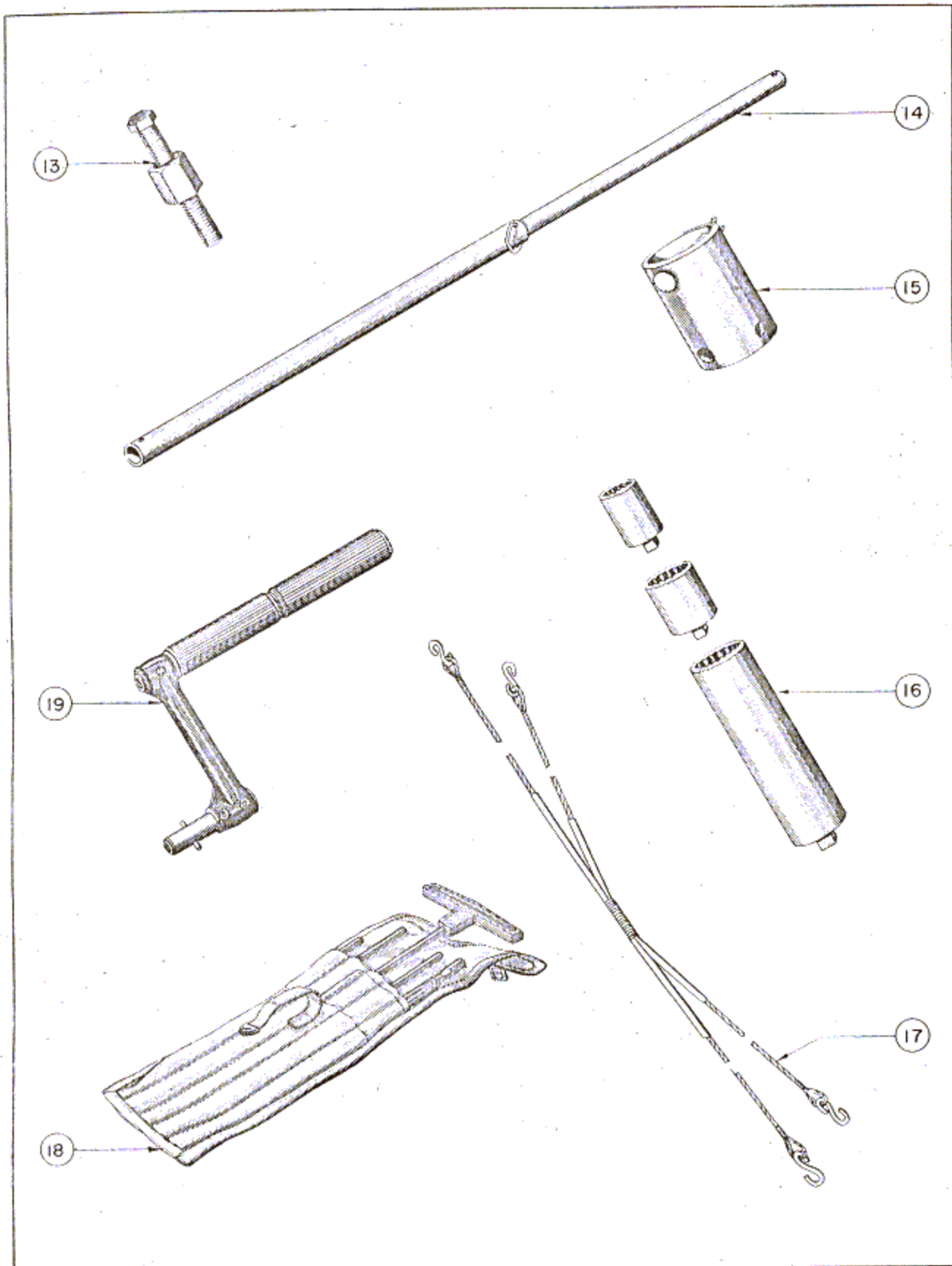
LOOSE EQUIPMENT



RESTRICTED
T. O. No. 01-25C-4

SECTION V - SERVICE TOOLS AND LOOSE EQUIPMENT

IN-DEX NO.	PART NUMBER	NOMENCLATURE	CODE	UNIT PER ASSEM.
1	87-88-967	Kit Tools Special Repair		
2	#2500 or 200	Pen Type Flashlight (Microlight Co.)	A - B	1
3	87-88-509	Hoisting Sling and Wing		1
4	87-88-020	Hoisting Sling - Front		1
5	87-88-019	Hoisting Sling - Tail		1
6	P11626	Screw-driver		1
	P12972	Screw-driver		1
	P13063	Screw-driver (Reed & Prince Co.)		1
7	87-70-555	Screw-driver - Bomb Rack Cocking & Removal		1
8	87-88-031	Wrench & Tail Oleo Metering Pin - Landing Gear		1
9	87-88-030	Wrench - Actuating Strut Flap & Landing Gear		1
10	87-88-587	Wheel Puller - Engine Mount Bolts		1
11	87-88-032	Wrench - Hand Pump		1
12	15950-S	Alemite Hydraulic or Lincoln Gun		1
13	ST-1014	Propeller Brake - Puller Assembly GFE		1
14	ST-1034	Bar & Extension - Propeller Shaft Nut GFE		1
15	ST-1141	Extension - Propeller Shaft Nut GFE		1
16	87-69-737-4	Socket - 1 1/16 inch - 12 Point		1
17	87-64-570	Harness - Parking	A - B	1
18	D-1858	Amorer's Tool Kit GFE		1
19	57431-1	Crank GFE		1
20	ST-1011	Wrench - Motor Nut GFE	A - B	1
21	ST-1002	Wrench - Propeller Blade Nut GFE	A - B	1
22	87-621-1048	Draft Curtain	C - up	1
23	87-88-650	Map Case	A - B	1
24	ST-1099	Wrench GFE		1
25	87-69-737-1	Wrench - Ratchet Gun Mounting		1
26	87-621-1018	Map Case	C - up	1
27	87-69-988	Gun Charger		1
28	87-69-737	Wing Gun Drift Pin		1
29	87-88-525L	Pad - Walkway		1
	87-88-525R	Pad - Walkway		1
30	87-88-524	Pad - Gun Service		1
31	87-88-596	Wrench - Filler Cap Fuel Container		1
32	87-88-597	Wrench - Nut Wing Fuel Container Gage Mount		1
33	A7393	High Pressure Hand Pump (Cleveland Pneumatic Tool Co.)		1
34	87-88-594	Locating Tool - Filler Opening Wing Fuel Container		1
35	87-88-595	Locating Tool - Gage Opening Wing Fuel Container		1
36	87-621-1010	Duffle Bag	C - up	1
37	X420-7411	First Aid Kit GFE	C - up	1
38	87-88-506	Duffle Bag	A - B	1
39	87-88-556	Duffle Bag	C - up	1
40	36-C1465	Emergency Kit	C - up	1
41	SK-5543	Tool Kit	C - up	1
42	87-621-1061	Emergency Kit	C - up	1
43	87-92-504	Cover Engine and Cabin		1
44	87-88-673-1	Sand Cover - Bottom Cowl		1
45	87-88-673-6	Sand Cover - Bottom Cowl		1
46	87-88-673-11	Sand Cover - Bottom Cowl		1
47	87-88-667	Sand Plug Installation		1
48	87-88-653	Sand Cap Installation		1



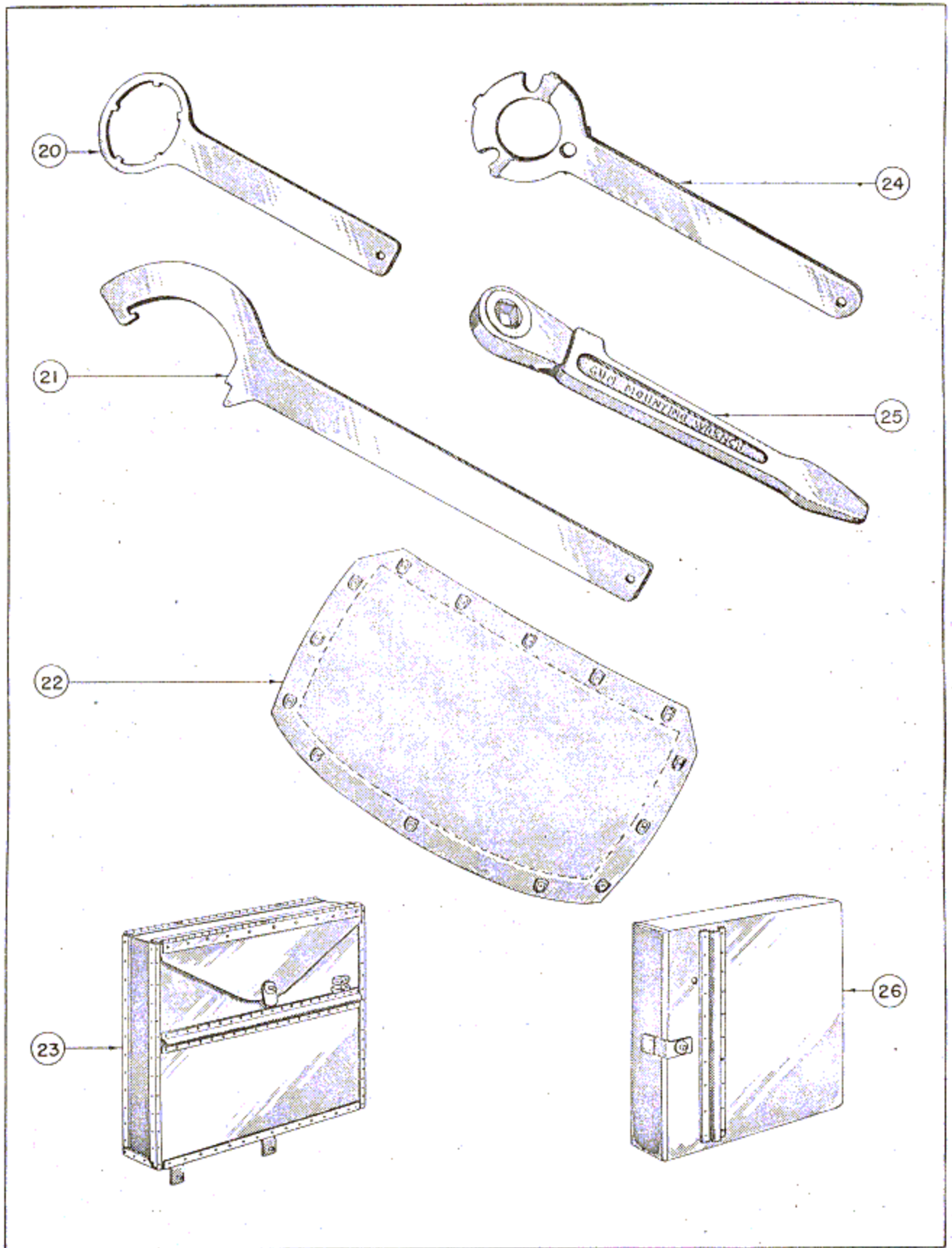
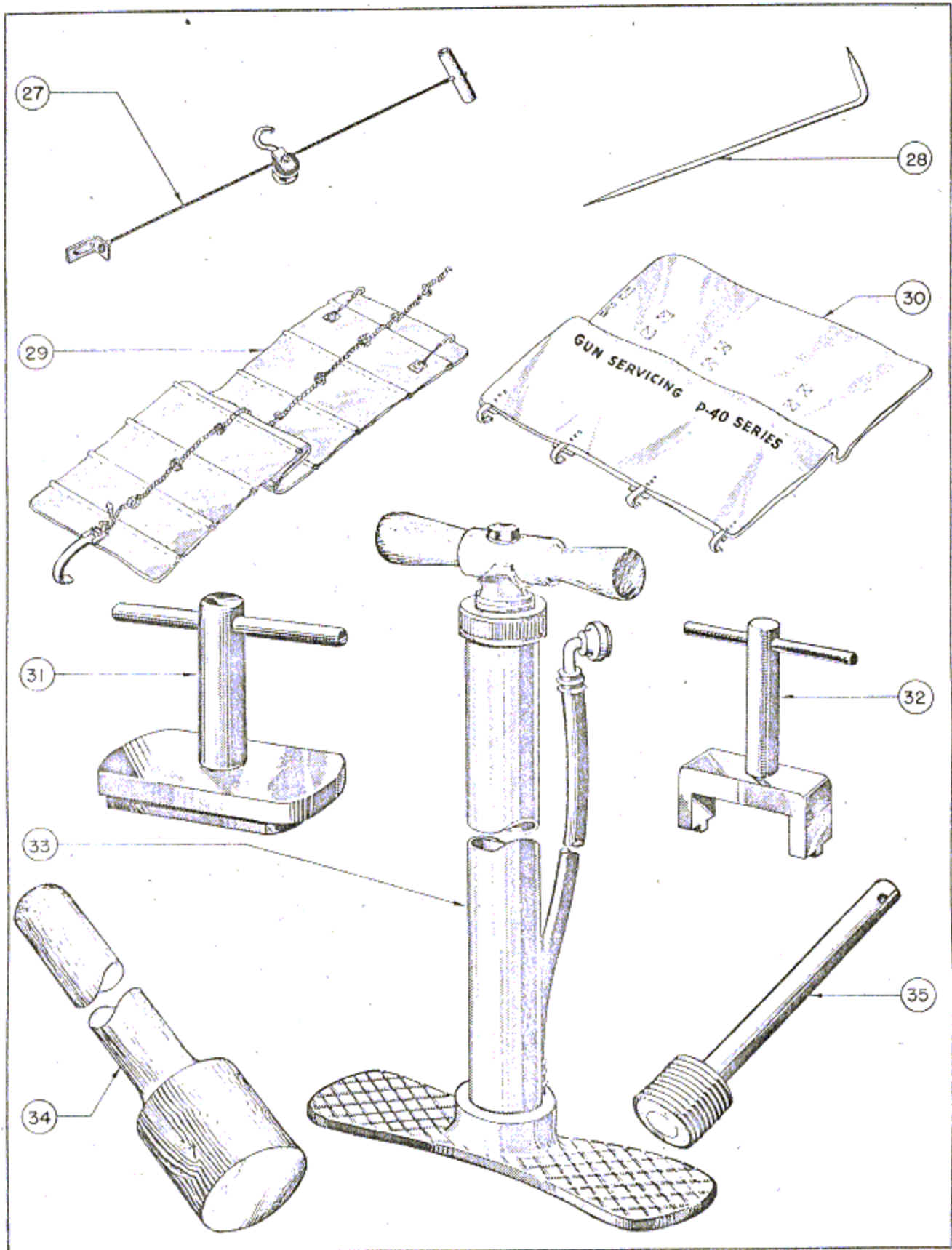


Figure 136—Service Tools and Loose Equipment—(Sheet 3 of 7).



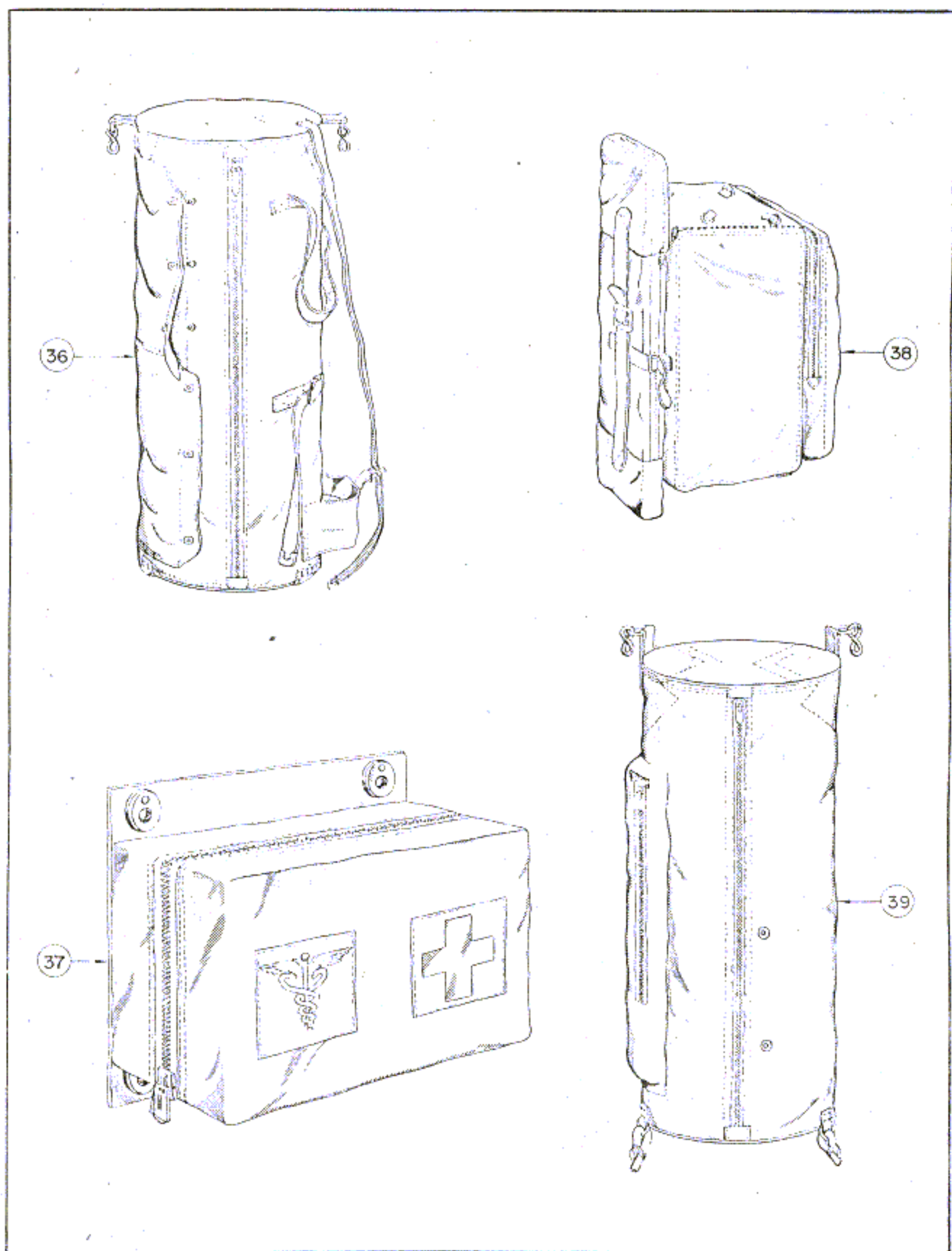
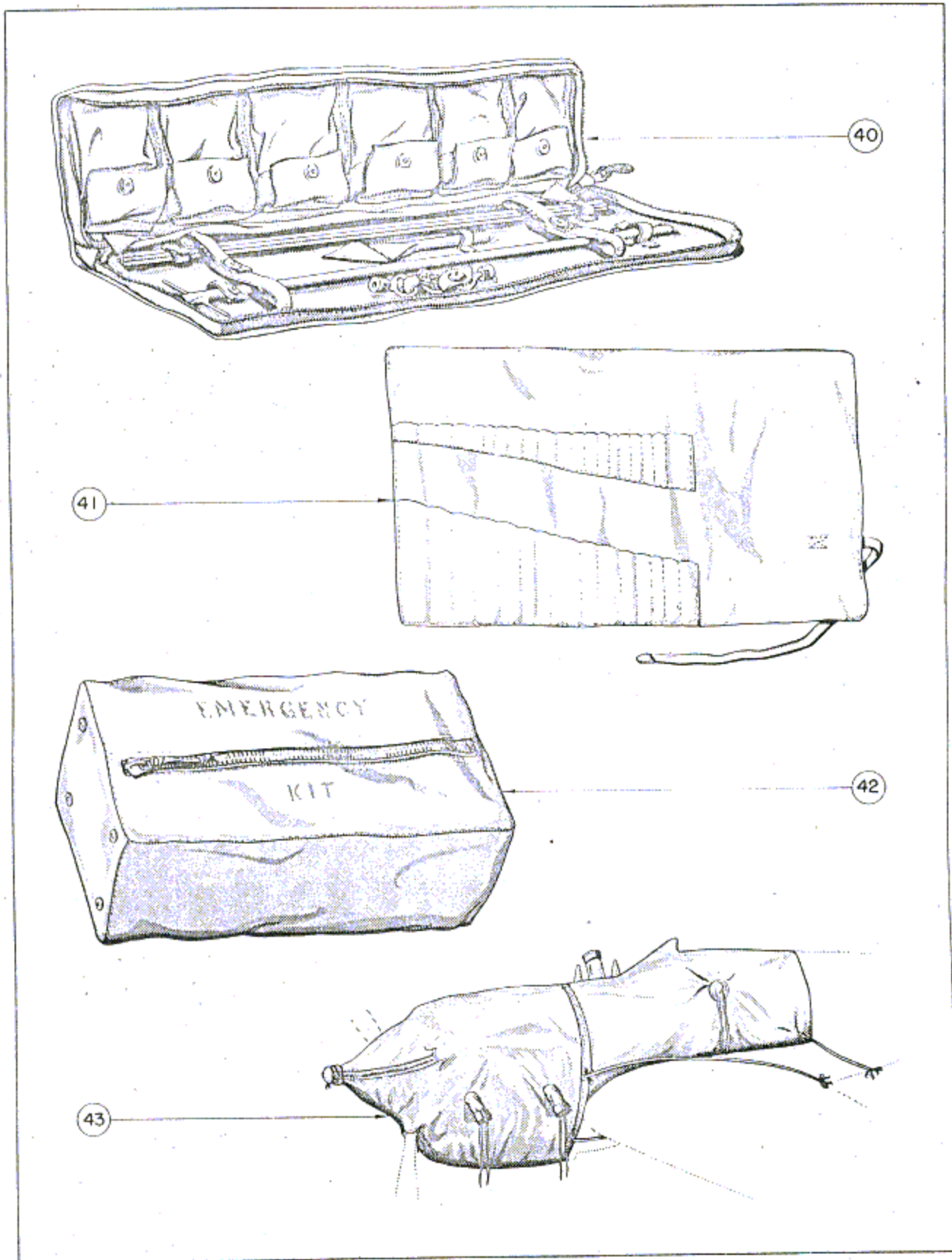


Figure 136—Service Tools and Loose Equipment—(Sheet 5 of 7).



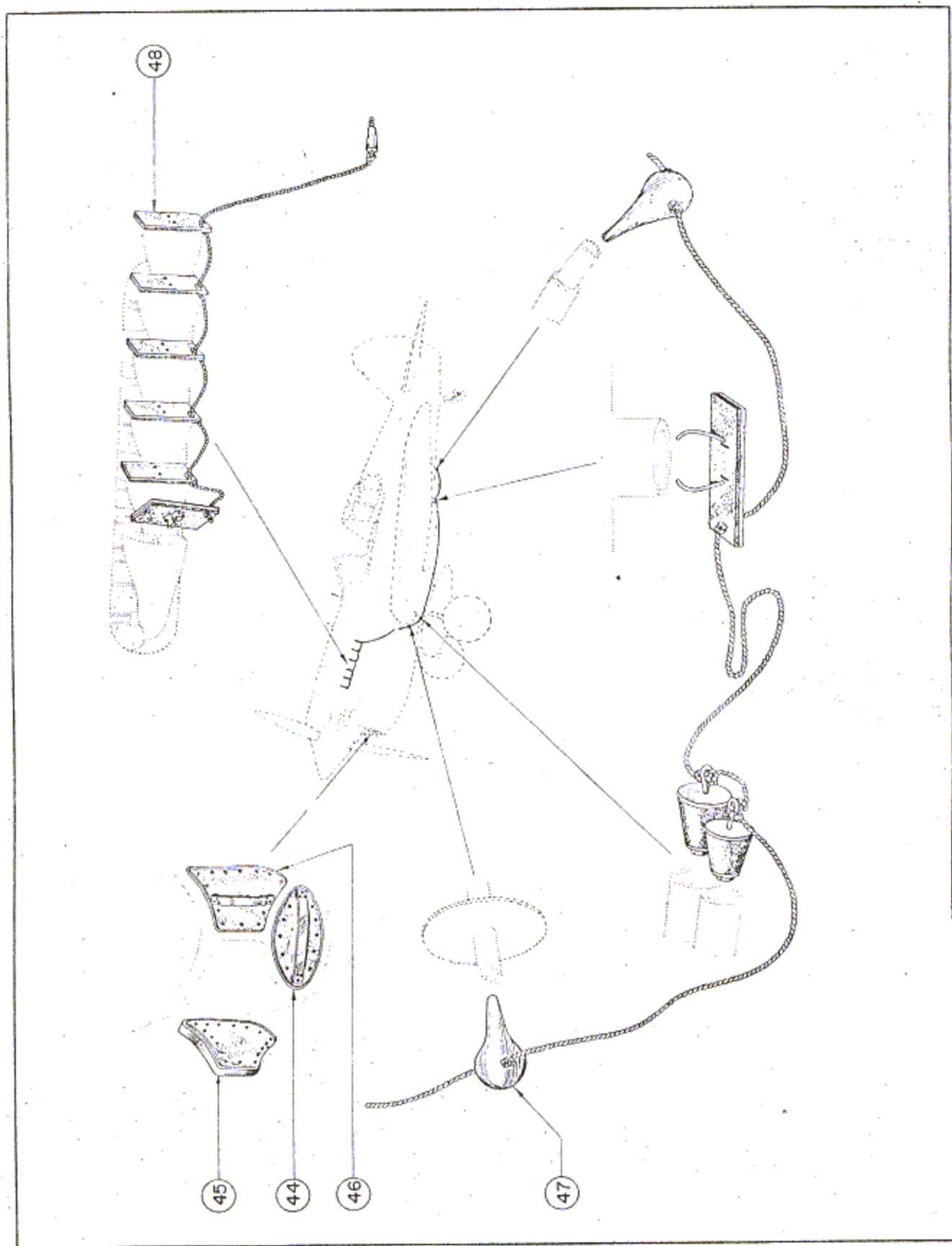


Figure 136--Service Tools and Loose Equipment--(Sheet 7 of 7).